



US00D360891S

# United States Patent [19]

[11] Patent Number: **Des. 360,891**

**Birkholz et al.**

[45] Date of Patent: **\*\* Aug. 1, 1995**

[54] **CAP FOR A ROTARY PAPER TRIMMER CARRIAGE**

5,322,001 6/1994 Boda ..... 83/485

[75] Inventors: **Douglas J. Birkholz, DeForest; James C. Boda, Merrimac, both of Wis.**

### FOREIGN PATENT DOCUMENTS

1428170	1/1966	France	83/485
719649	3/1942	Germany	83/485
2158890	5/1973	Germany	83/485
670418	9/1967	Netherlands	83/614
1563	2/1887	United Kingdom	83/614

[73] Assignee: **Fiskars Inc., Wausau, Wis.**

[\*\*] Term: **14 Years**

*Primary Examiner*—Cathy Anne MacCormac  
*Attorney, Agent, or Firm*—Foley & Lardner

[21] Appl. No.: **23,283**

### [57] CLAIM

[22] Filed: **May 23, 1994**

The ornamental design for a cap for a rotary paper trimmer carriage, as shown and described.

[52] U.S. Cl. .... **D18/34**

[58] Field of Search ..... 241/836, 169.1, 100;  
83/485, 588, 614; D18/34, 99; D19/72;  
D15/127

### DESCRIPTION

### [56] References Cited

#### U.S. PATENT DOCUMENTS

D. 317,939	7/1991	Judd et al.	D18/34
D. 319,840	9/1991	Hatsumi et al.	D18/34
821,681	5/1906	Vandermark	83/485
4,379,419	4/1983	Woock et al.	83/614
4,967,628	11/1990	Judd et al.	83/614
5,036,740	8/1991	Tsai	83/614
5,044,241	9/1991	Labrecque	83/614
5,069,097	12/1991	Mori	83/588
5,287,783	2/1994	Mori	83/485

FIG. 1 is a perspective view of the back of the handle showing our new design, the front being a mirror image thereof;

FIG. 2 is a top plan view thereof;

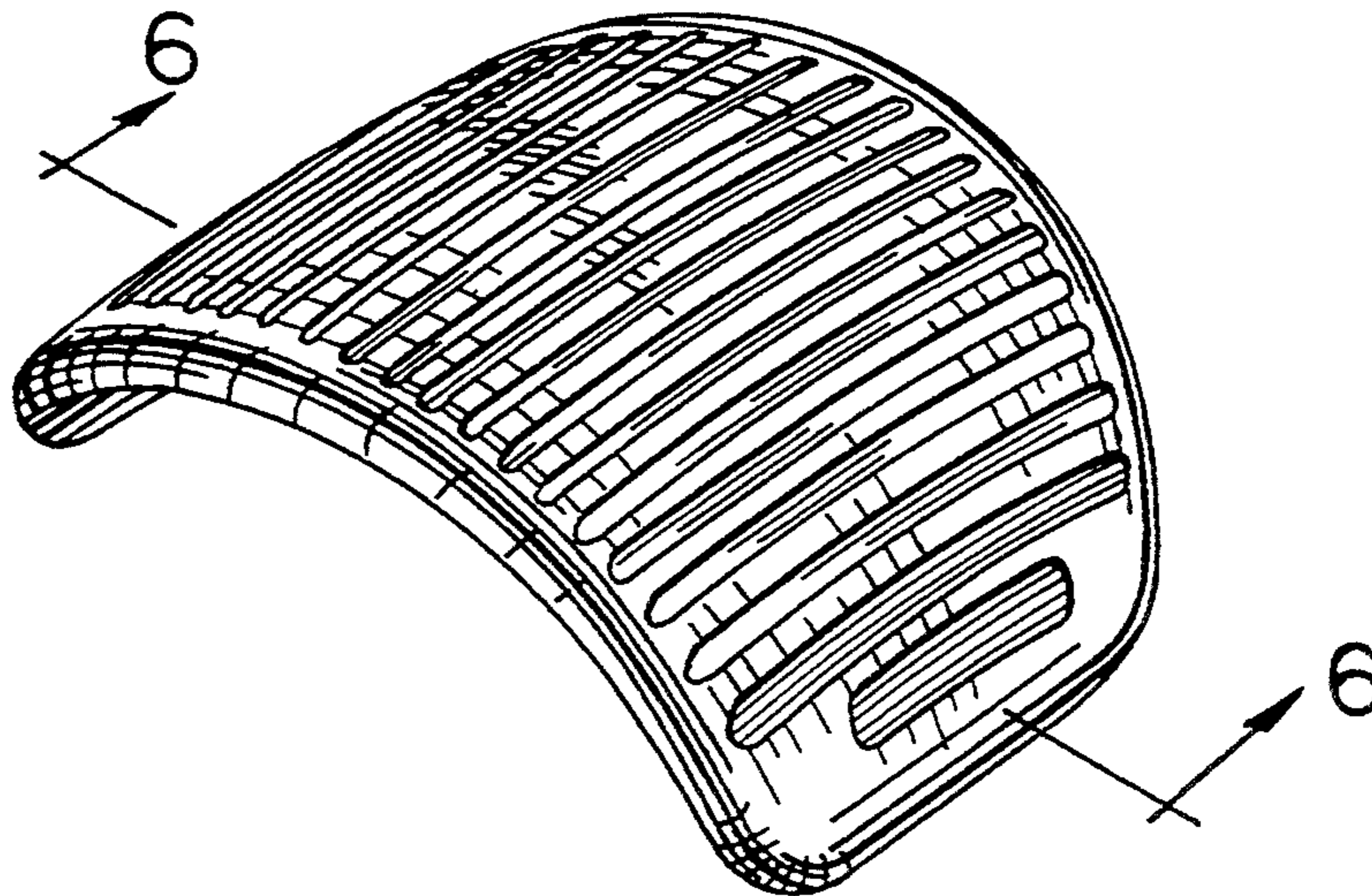
FIG. 3 is an elevational view of the back thereof;

FIG. 4 is a left side elevational view thereof, the right side being a mirror image thereof;

FIG. 5 is a bottom plan view thereof; and,

FIG. 6 is a cross-sectional view taken on line 6—6 of FIG. 1 thereof.

The broken lines are for illustrative purposes only and form no part of the claimed design.



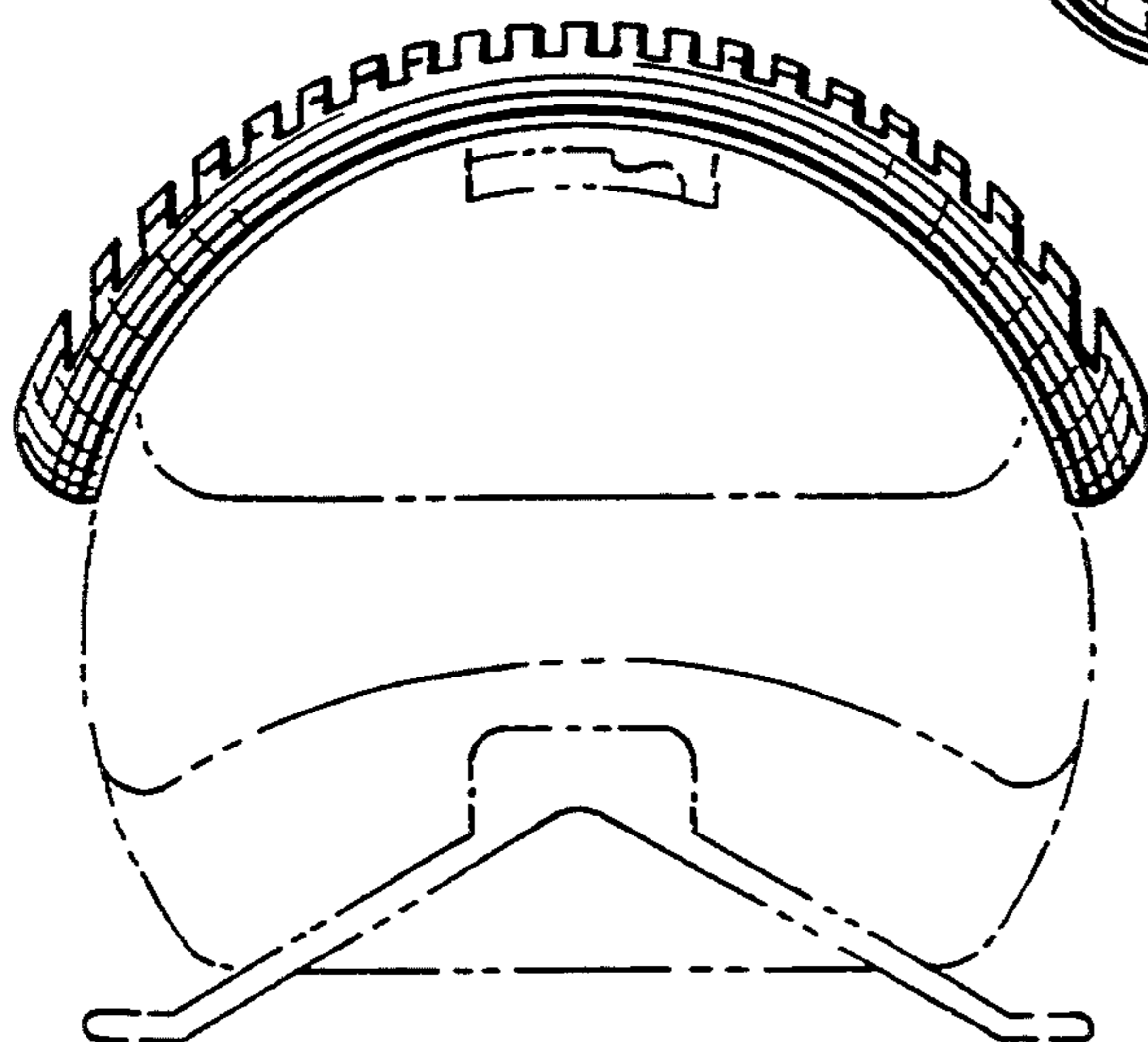
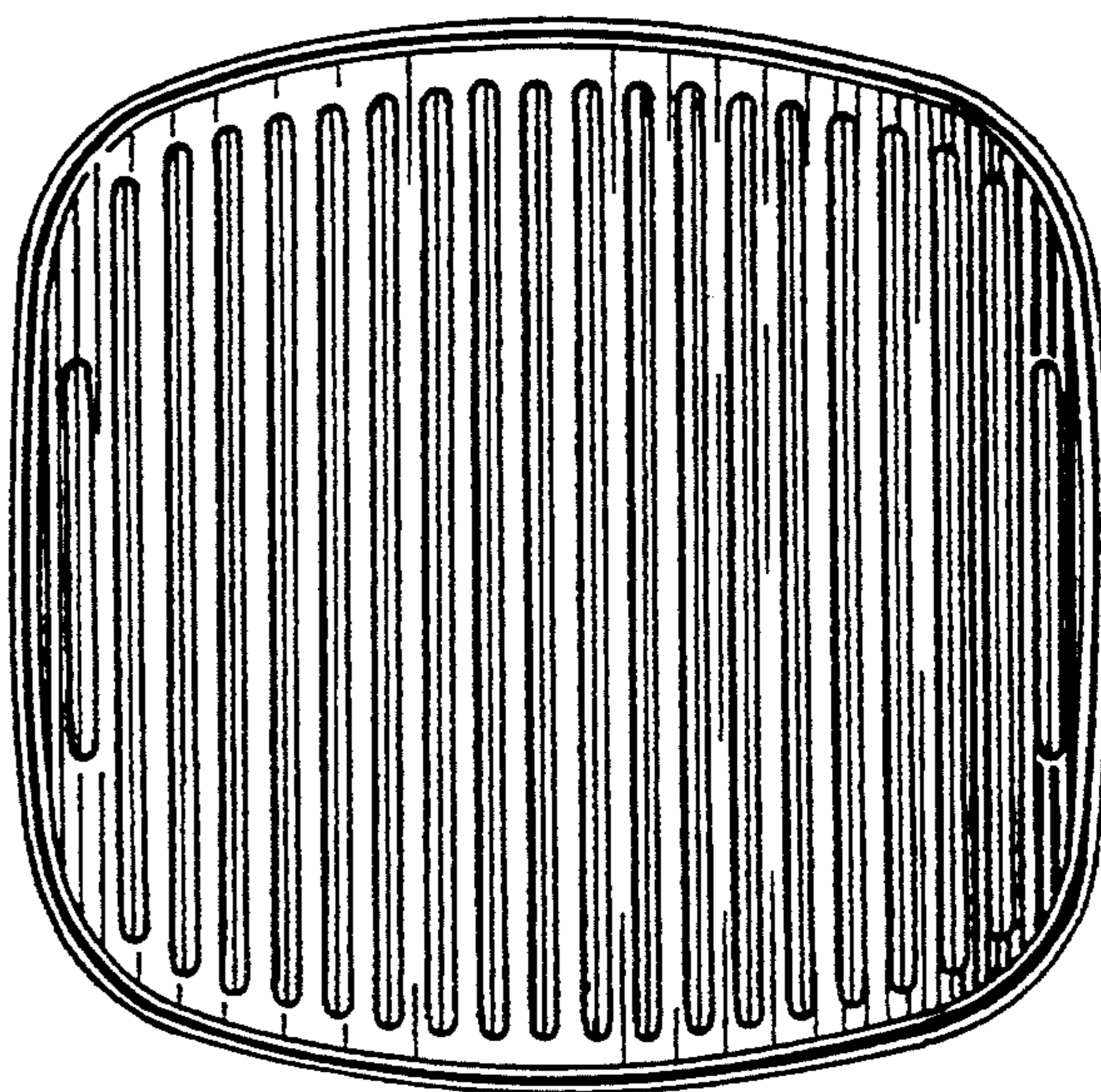
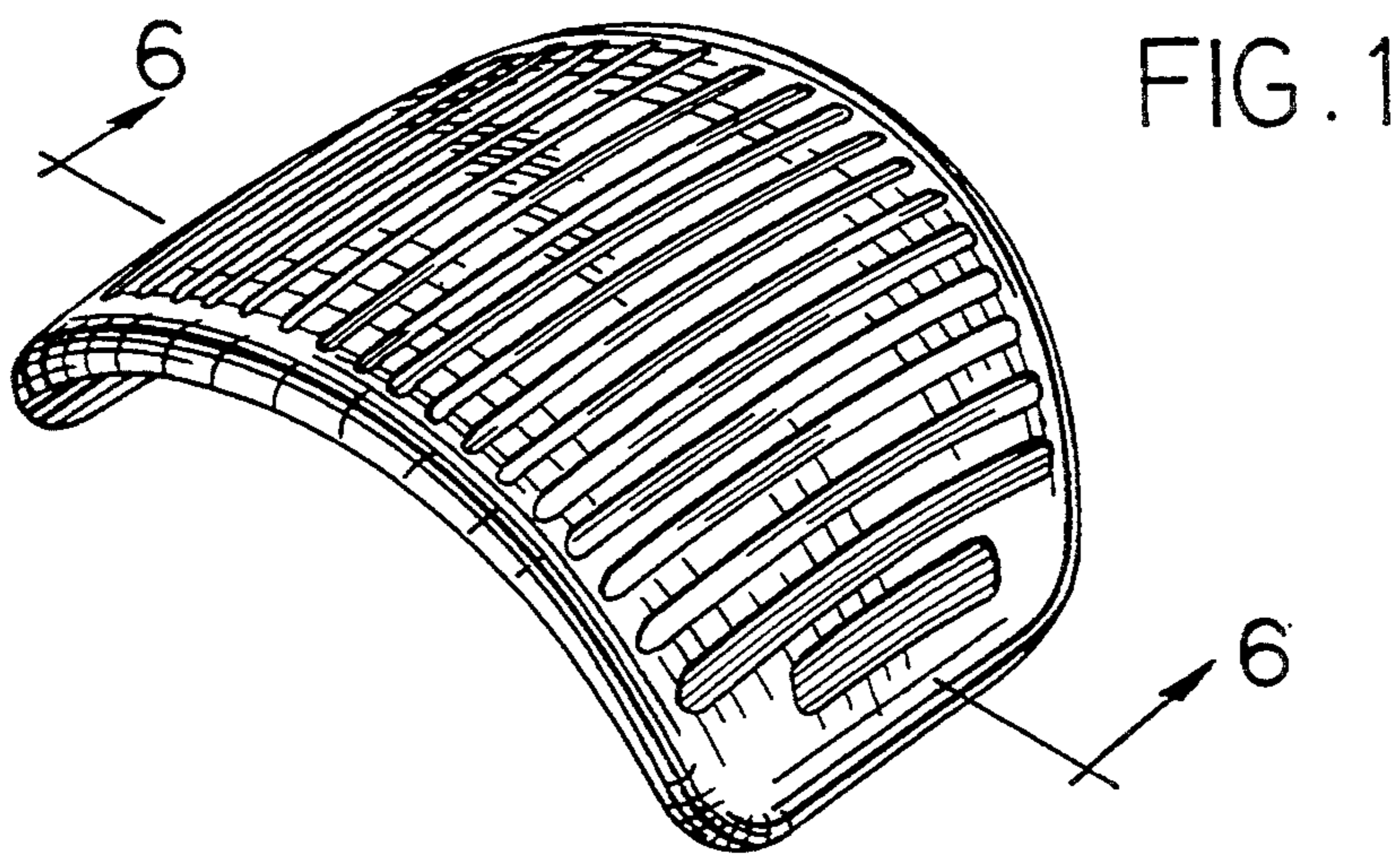


FIG. 4

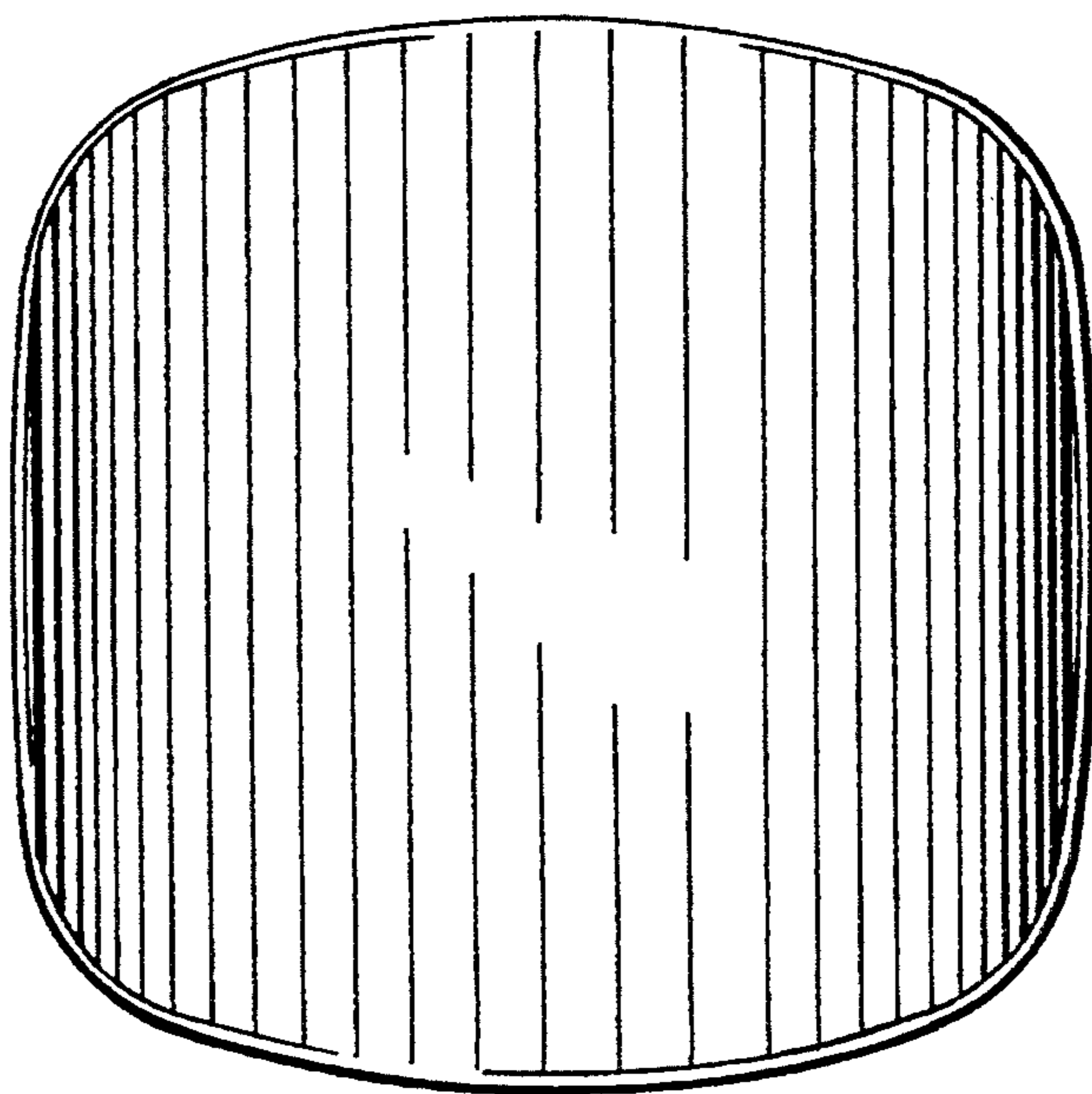
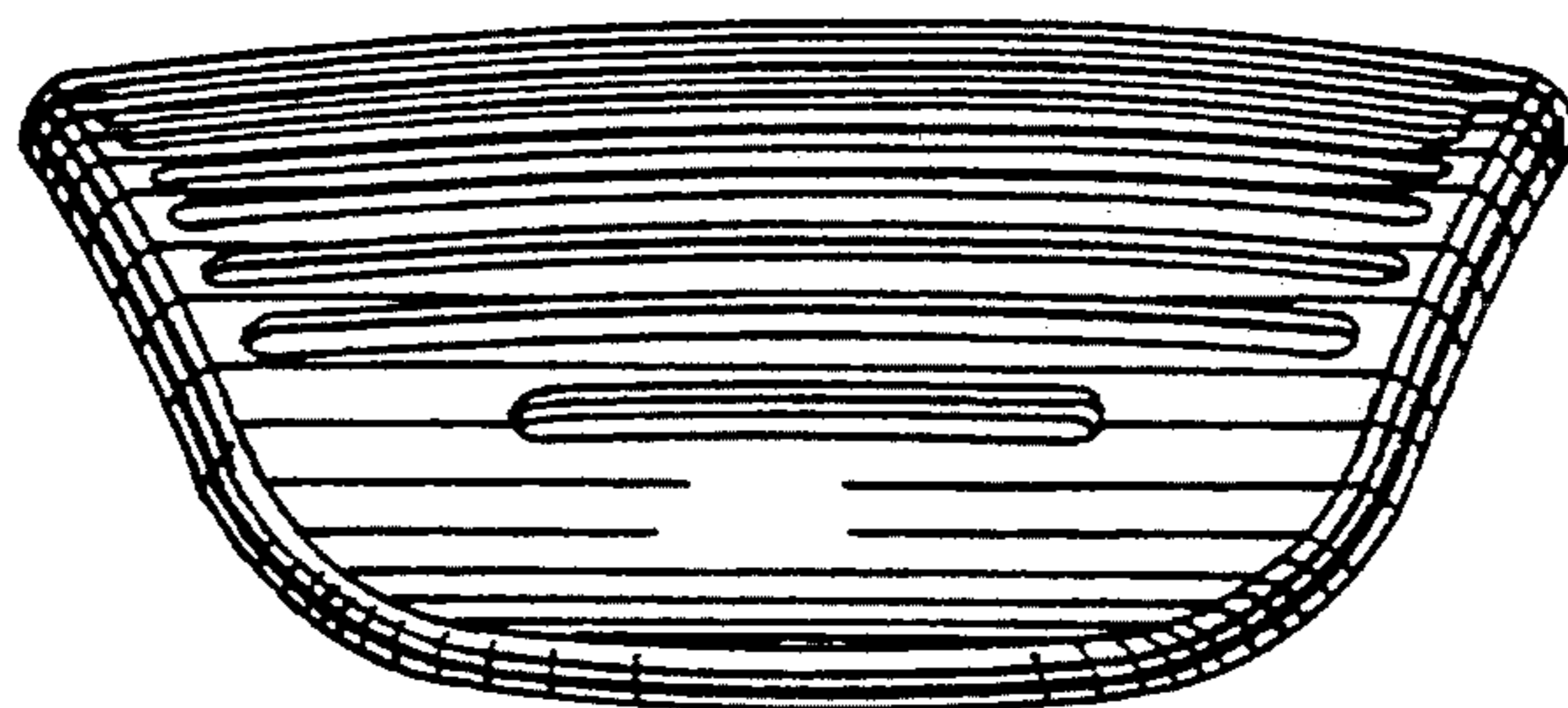


FIG. 5

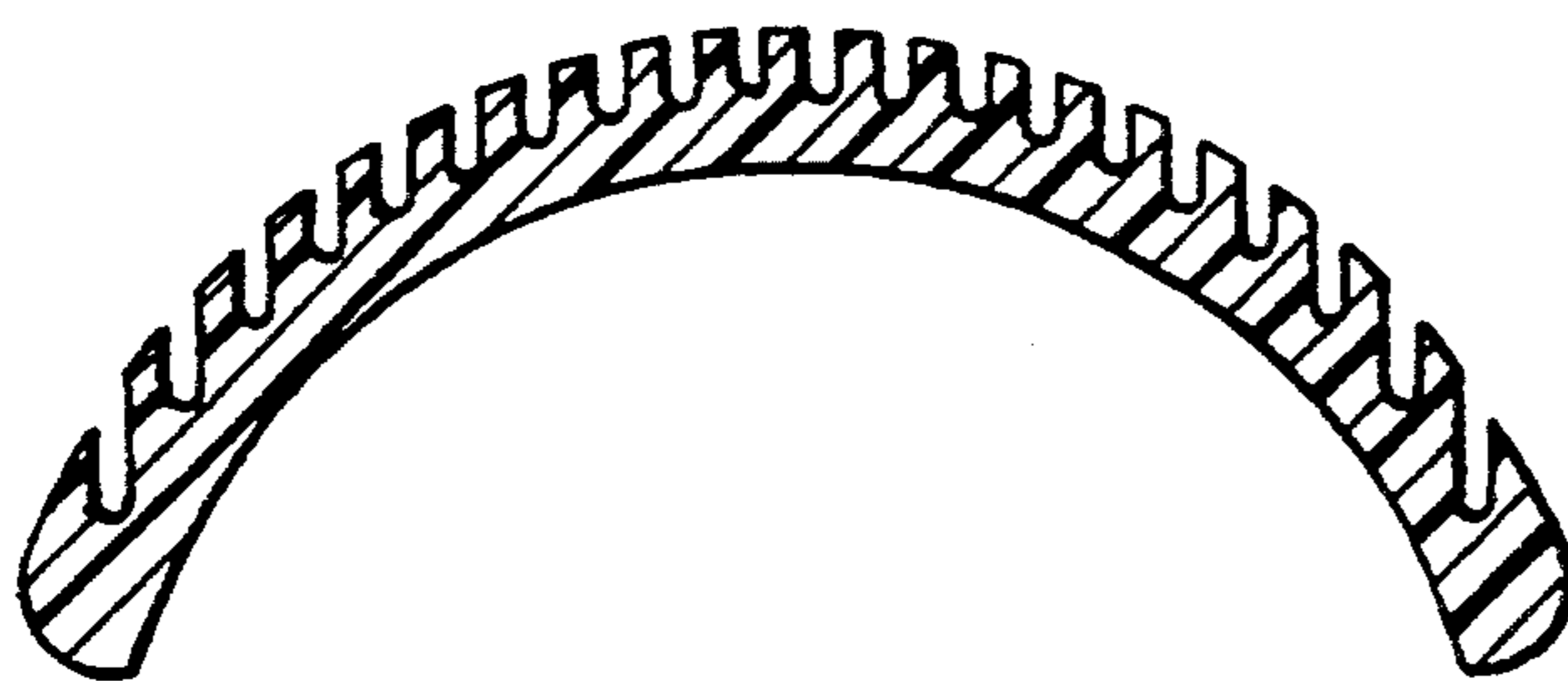


FIG. 6