



US00D360889S

# United States Patent [19]

Boekeloo

[11] Patent Number: **Des. 360,889**

[45] Date of Patent: **\*\* Aug. 1, 1995**

[54] **FUNNEL COVER**

[76] Inventor: **James F. Boekeloo**, Box 391,  
Hennepin, Ill. 61327

[\*\*] Term: **14 Years**

[21] Appl. No.: **23,348**

[22] Filed: **May 23, 1994**

[52] U.S. Cl. .... **D15/150**

[58] Field of Search ..... D15/150; 141/97, 98,  
141/331, 340; 184/1.5, 105.1; 220/86.2

[56] **References Cited**

**U.S. PATENT DOCUMENTS**

1,302,086	4/1919	Pitlick .....	141/340
2,281,652	5/1942	Wolcott .....	141/340
2,517,759	8/1950	Bentzen .....	141/340
3,750,722	8/1973	Nowak .	
4,112,984	9/1978	Guglia et al. .	
4,706,719	11/1987	Eversdijk .	

4,706,720 11/1987 Pattison et al. .  
4,789,017 12/1988 Panasewicz et al. .

*Primary Examiner*—Antoine Duval Davis

[57] **CLAIM**

The ornamental design for a funnel cover, as shown and described.

**DESCRIPTION**

FIG. 1 is a front elevational view of the funnel cover showing my new design, the broken line showing of the funnel for illustrative purposes only and forming no part of the claimed design;

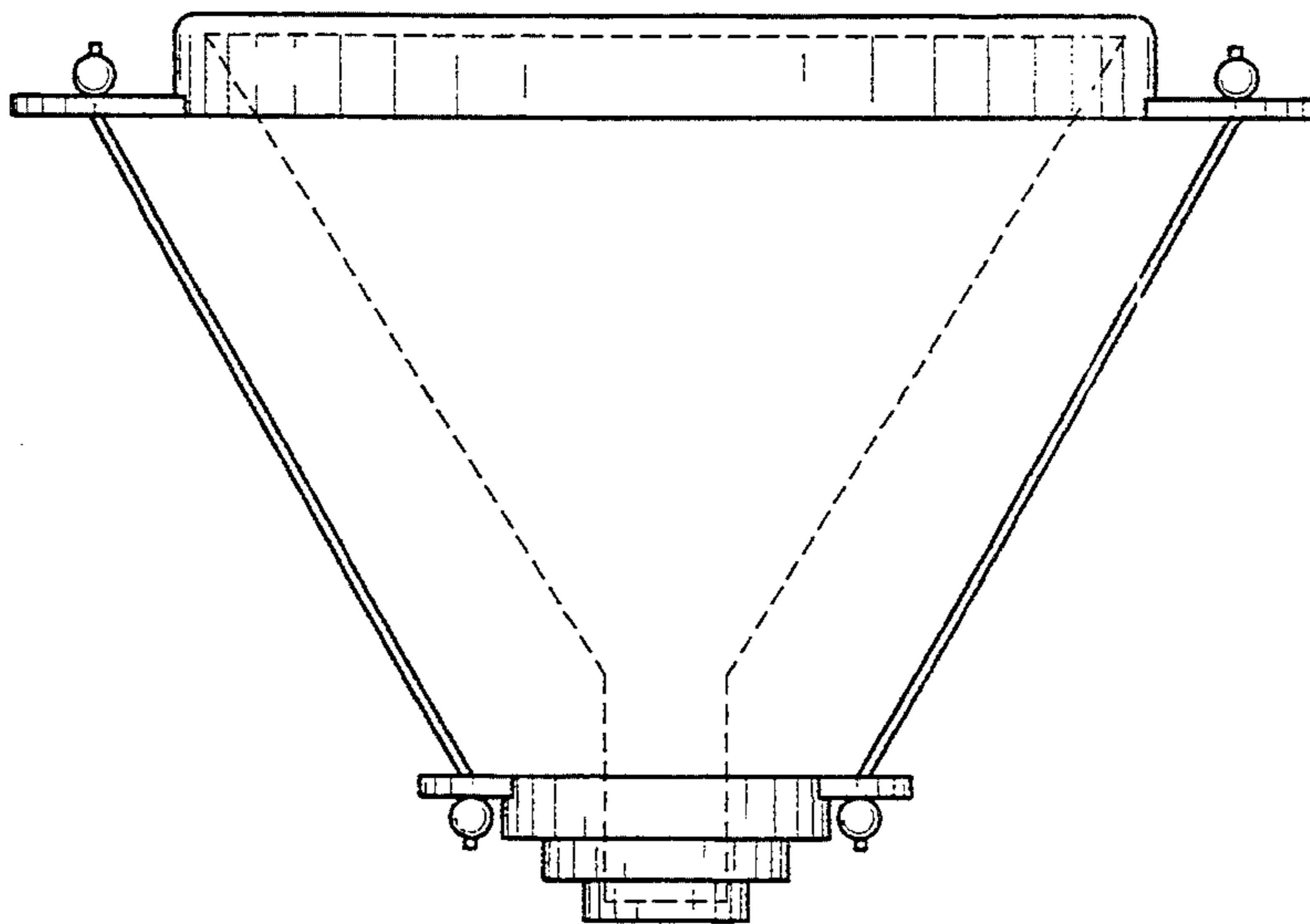
FIG. 2 is a rear elevational view thereof;

FIG. 3 is a left side elevational view, the broken line showing of the funnel for illustrative purposes only and forming no part of the claimed design;

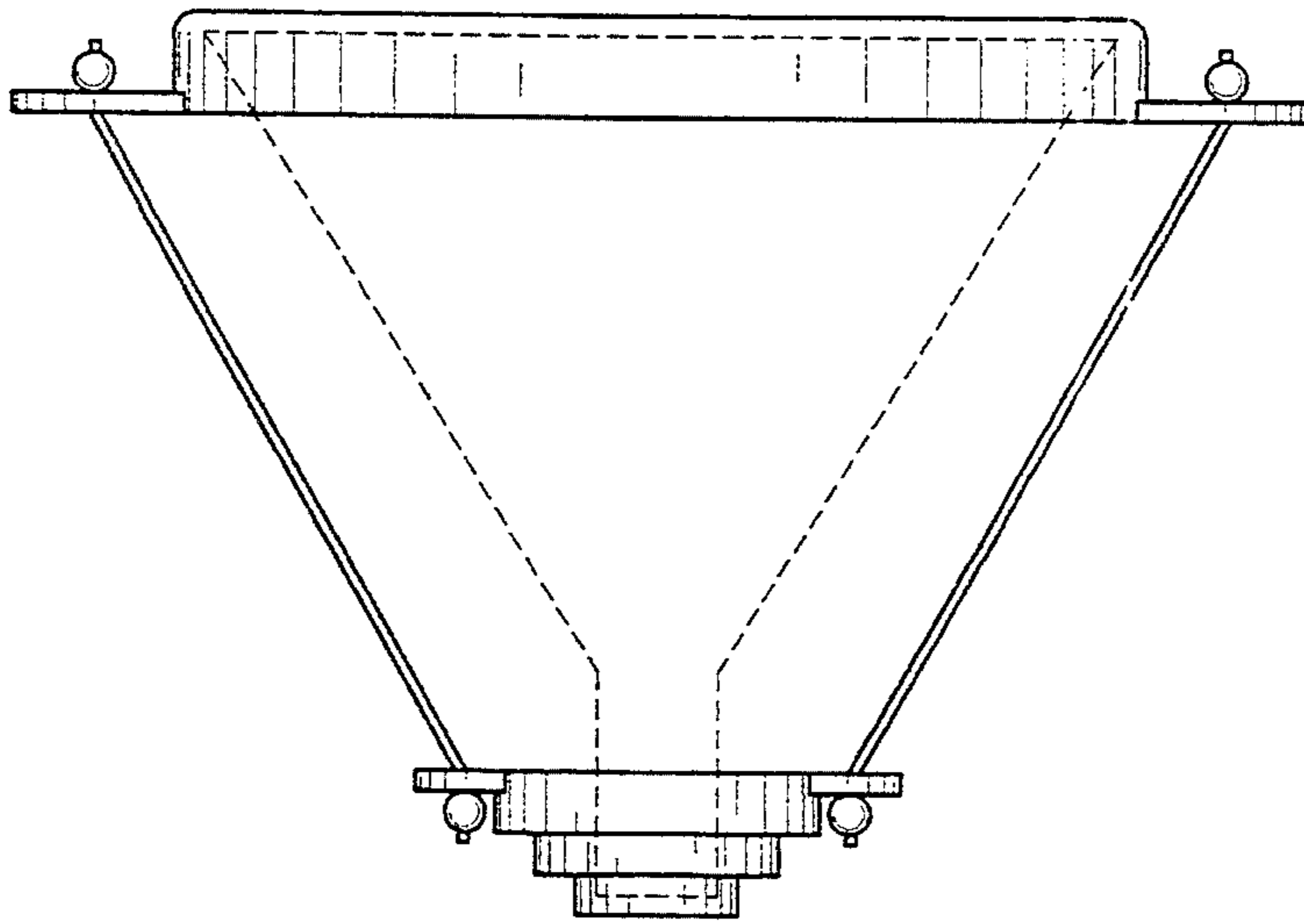
FIG. 4 is a right side elevational view thereof;

FIG. 5 is a top plan view thereof; and,

FIG. 6 is a bottom plan view thereof;



*FIG. 1*



*FIG. 2*

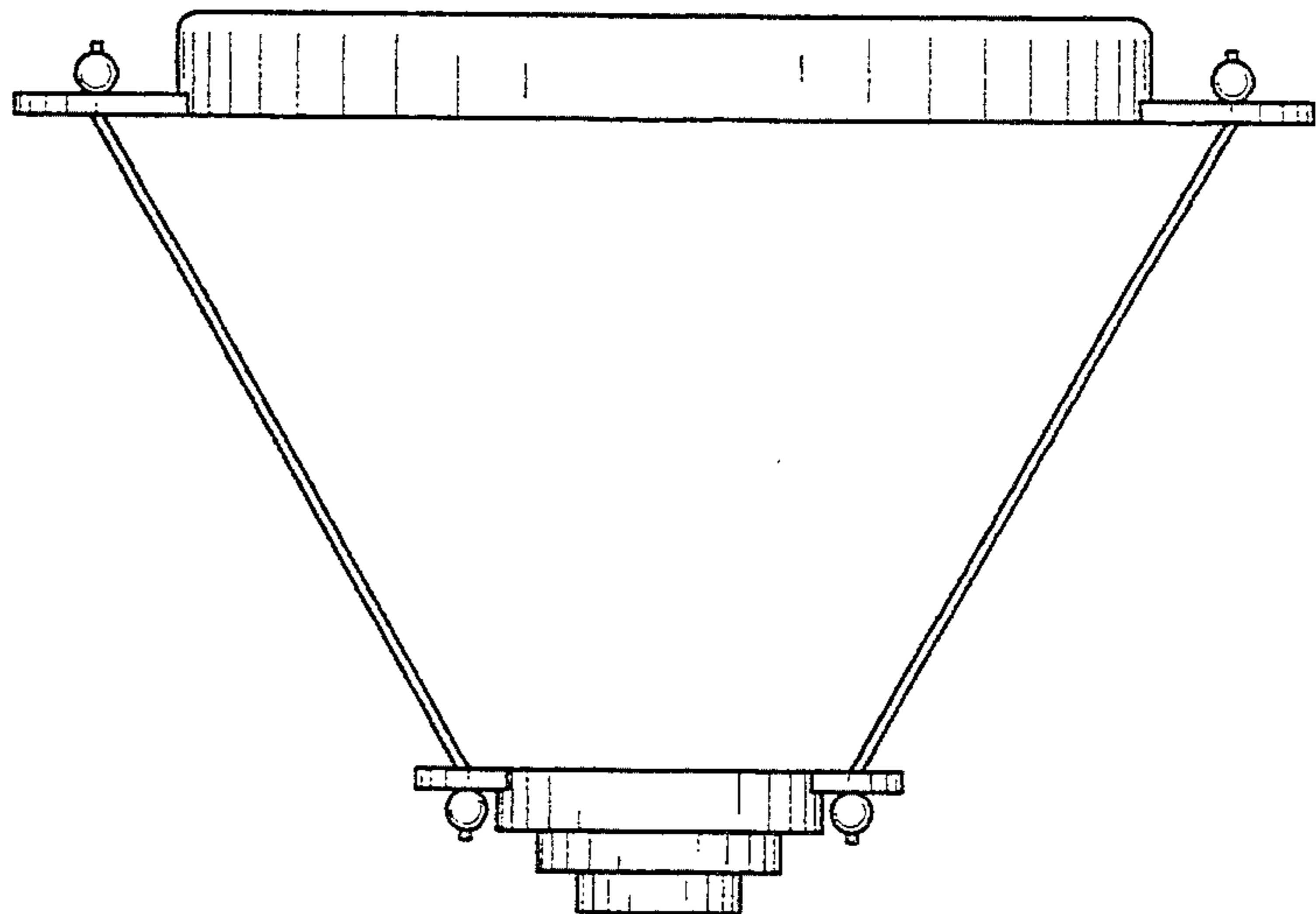


FIG. 3

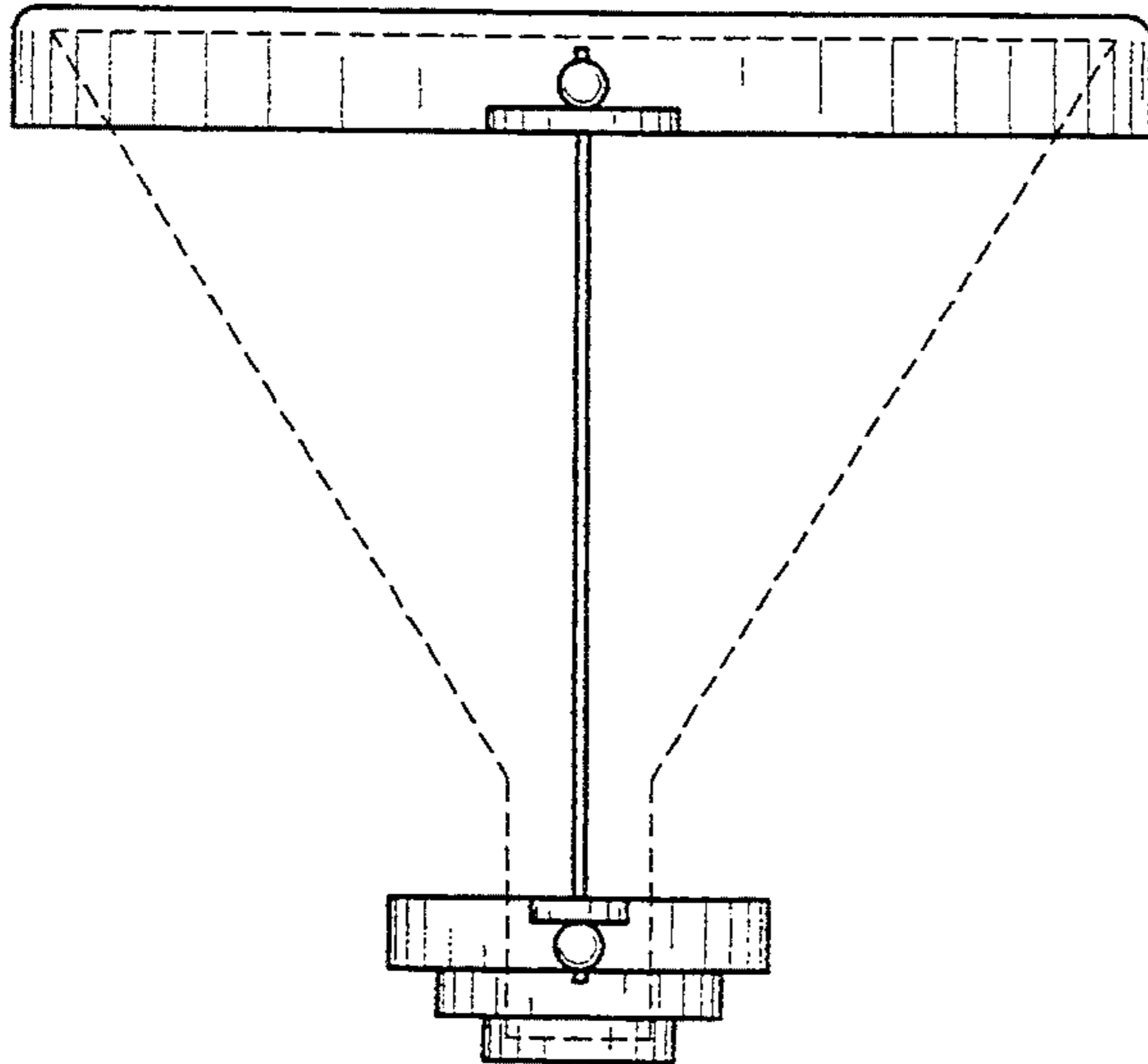


FIG. 4

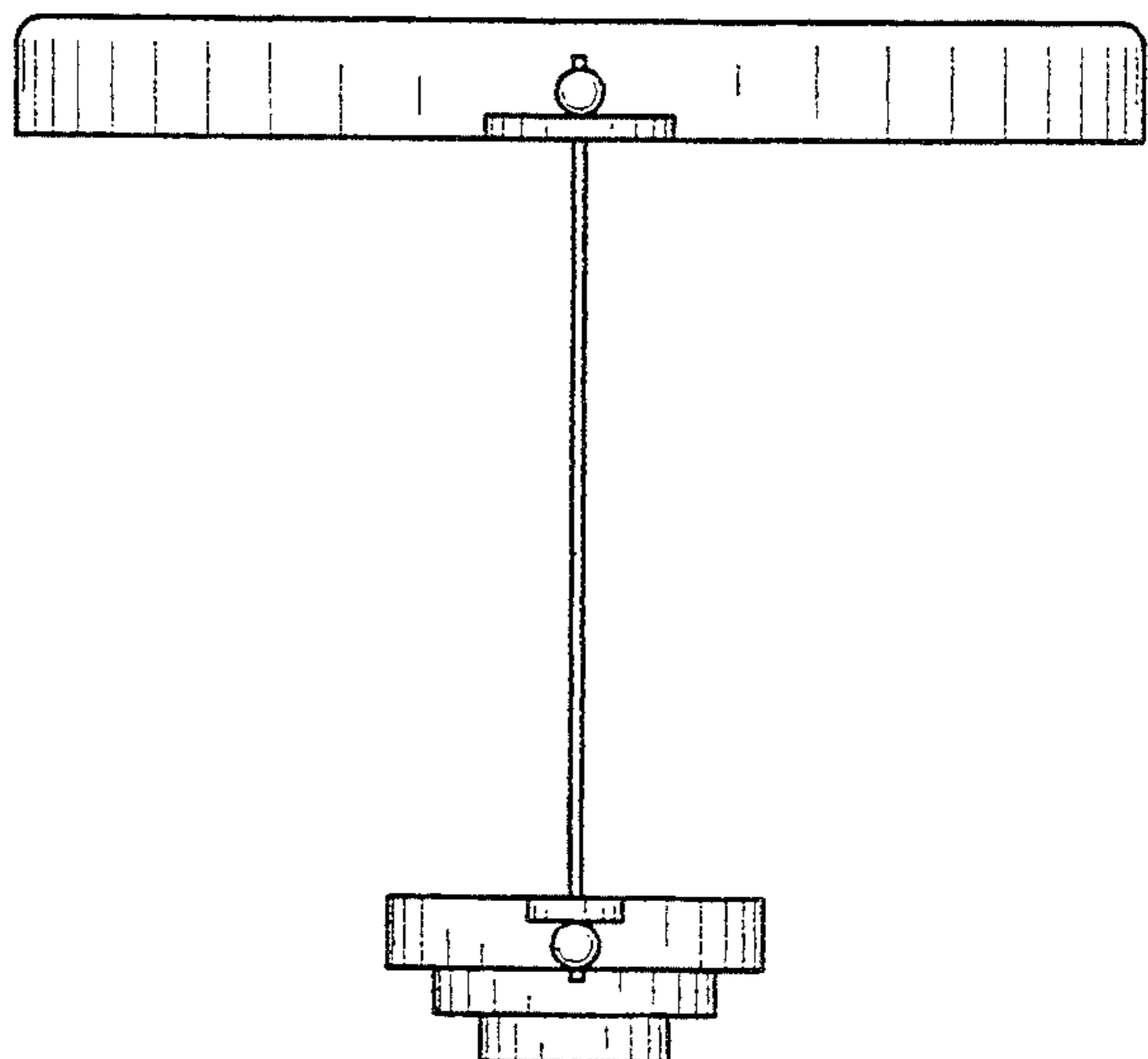


FIG. 5

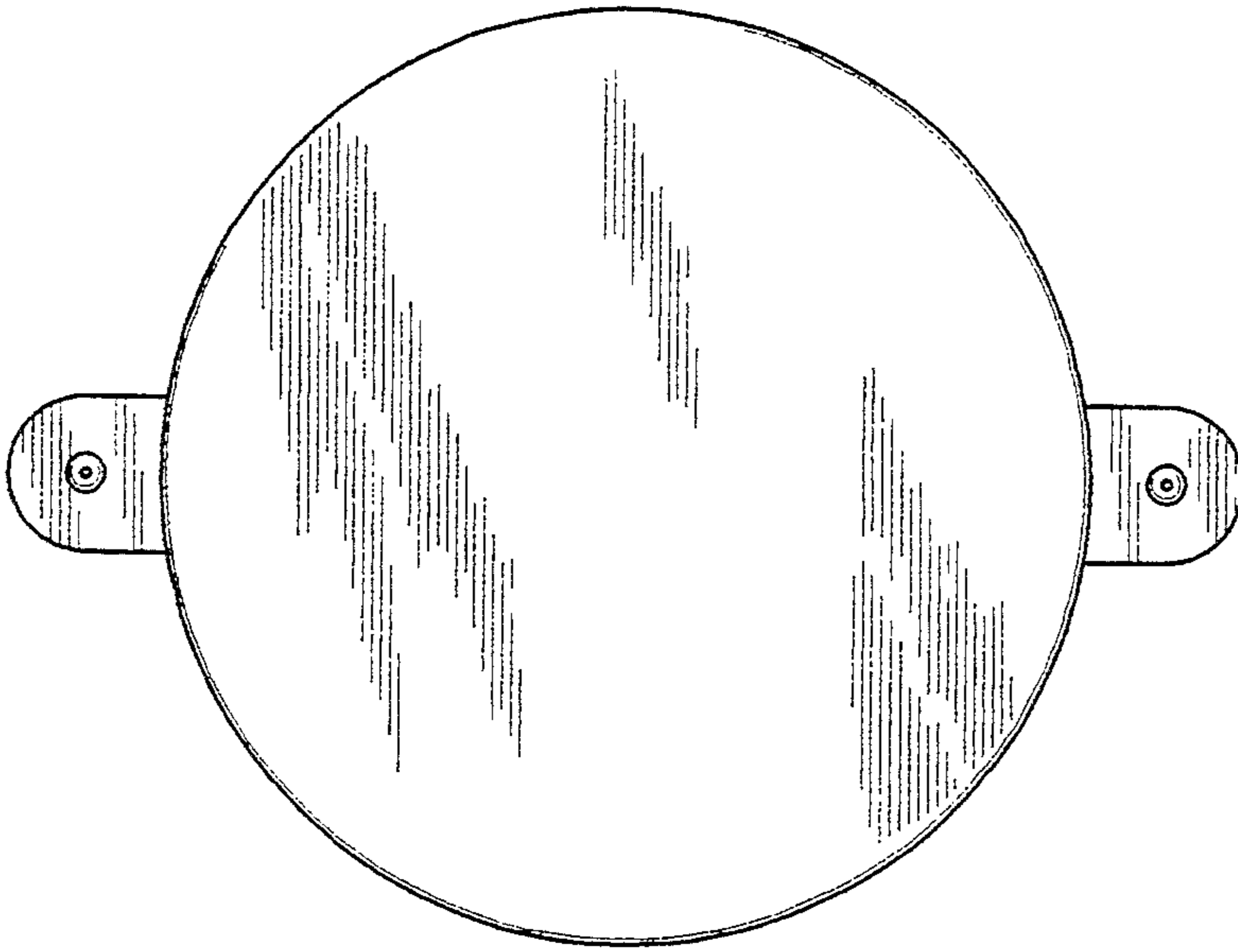


FIG. 6

