



US00D360888S

United States Patent [19]

[11] Patent Number: **Des. 360,888**

Timm

[45] Date of Patent: **** Aug. 1, 1995**

[54] **ORE PROCESSOR**

[76] Inventor: **Roger P. Timm**, 1630 E. Greenlee Rd., Tucson, Ariz. 85719

[**] Term: **14 Years**

[21] Appl. No.: **27,477**

[22] Filed: **Aug. 22, 1994**

[52] U.S. Cl. **D15/147; D15/199; D34/14**

[58] Field of Search **D15/122, 147, 199; D34/12, 14, 16; 24/74, 79.3; 202/124, 234; 209/13, 17, 18, 44, 131, 251, 269, 270, 296, 423, 424, 437, 438, 439, 458, 459, 460, 451, 452, 474, 501; 264/25; 266/148, 177**

[56] **References Cited**

U.S. PATENT DOCUMENTS

- 6,516 4/1831 Palmer .
- 7,222 9/1832 Willis .
- 479,279 7/1892 Husemann .
- 680,176 8/1901 Robertson .
- 3,526,318 9/1970 Erickson 209/13

- 3,773,174 11/1973 Stimpel 209/131
- 4,319,985 3/1982 Hibbard .
- 4,339,043 7/1982 Tice et al. 209/451 X
- 5,108,584 4/1992 Brosseuk .

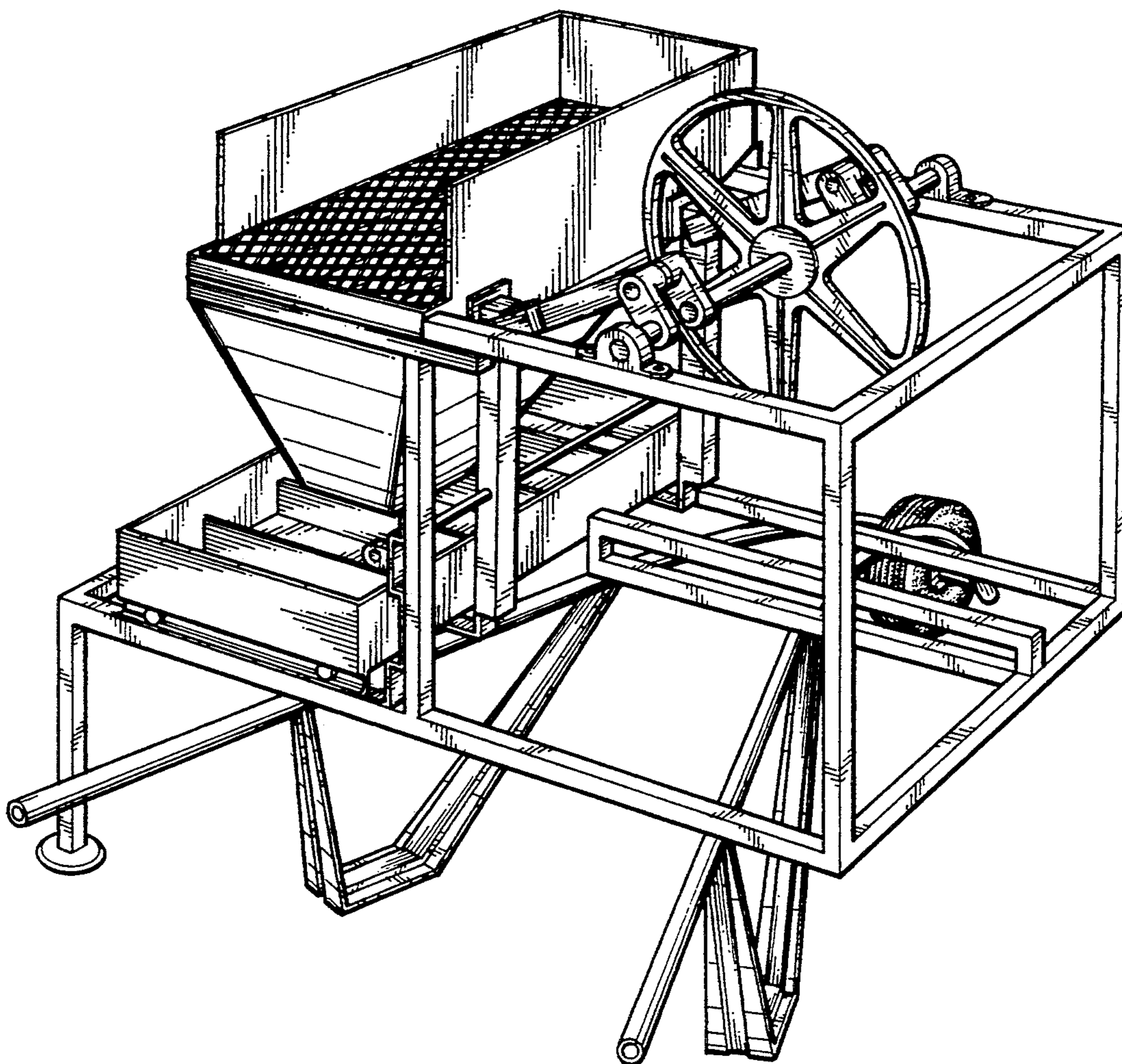
Primary Examiner—Antoine Duval Davis
Attorney, Agent, or Firm—Richard C. Litman

[57] **CLAIM**

The ornamental design for an ore processor, as shown and described.

DESCRIPTION

FIG. 1 is a top and rear perspective view of an ore processor showing my new design; FIG. 2 is a top plan view thereof; FIG. 3 is a front elevational view thereof; FIG. 4 is a right side elevational view thereof; FIG. 5 is a left side elevational view thereof; FIG. 6 is a rear elevational view thereof; and, FIG. 7 is a bottom plan view thereof. The broken line showing of a powerplant and drive means in FIGS. 2 through 7 is for illustrative purposes only and forms no part of the claimed design.



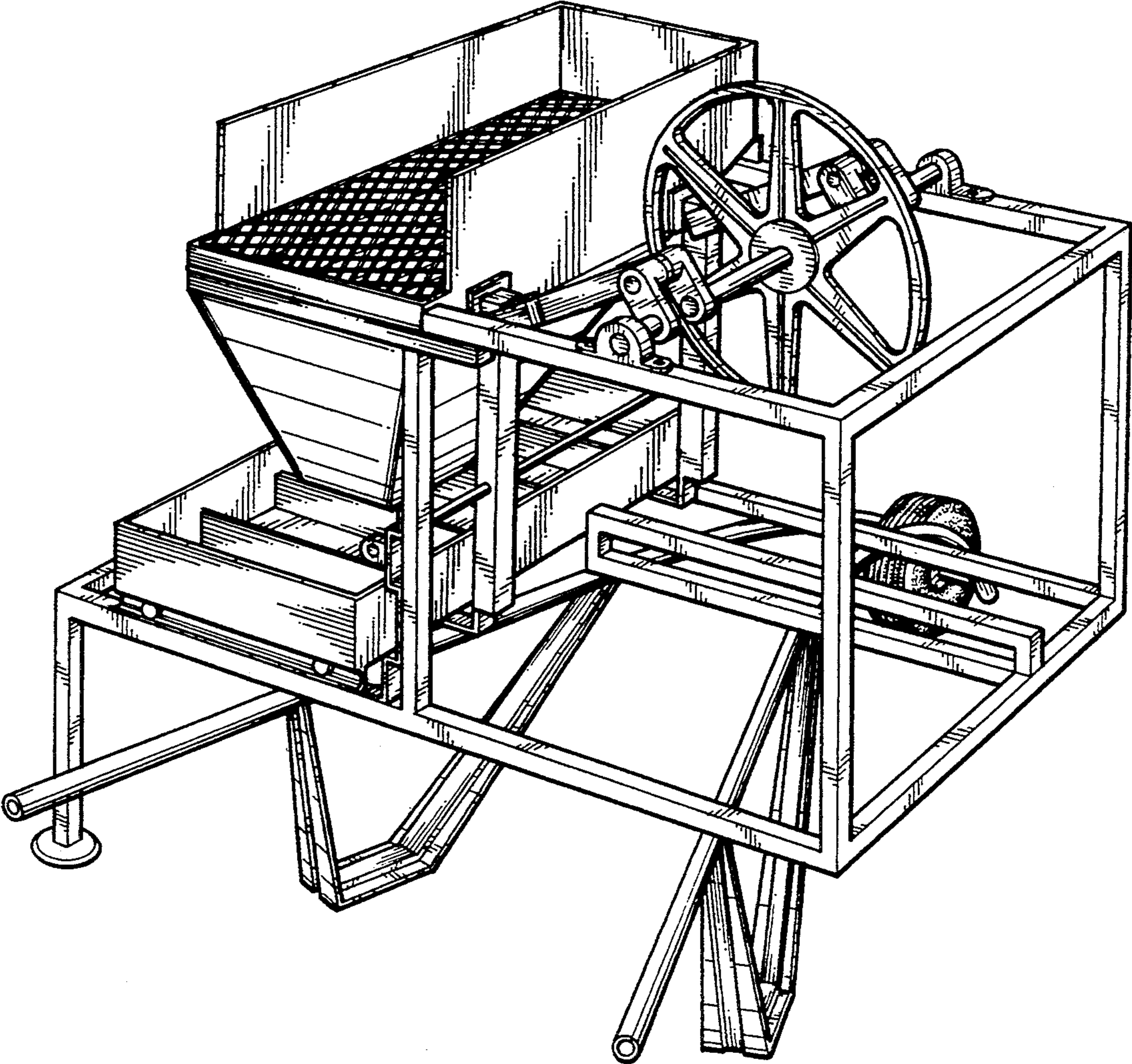


FIG. 1

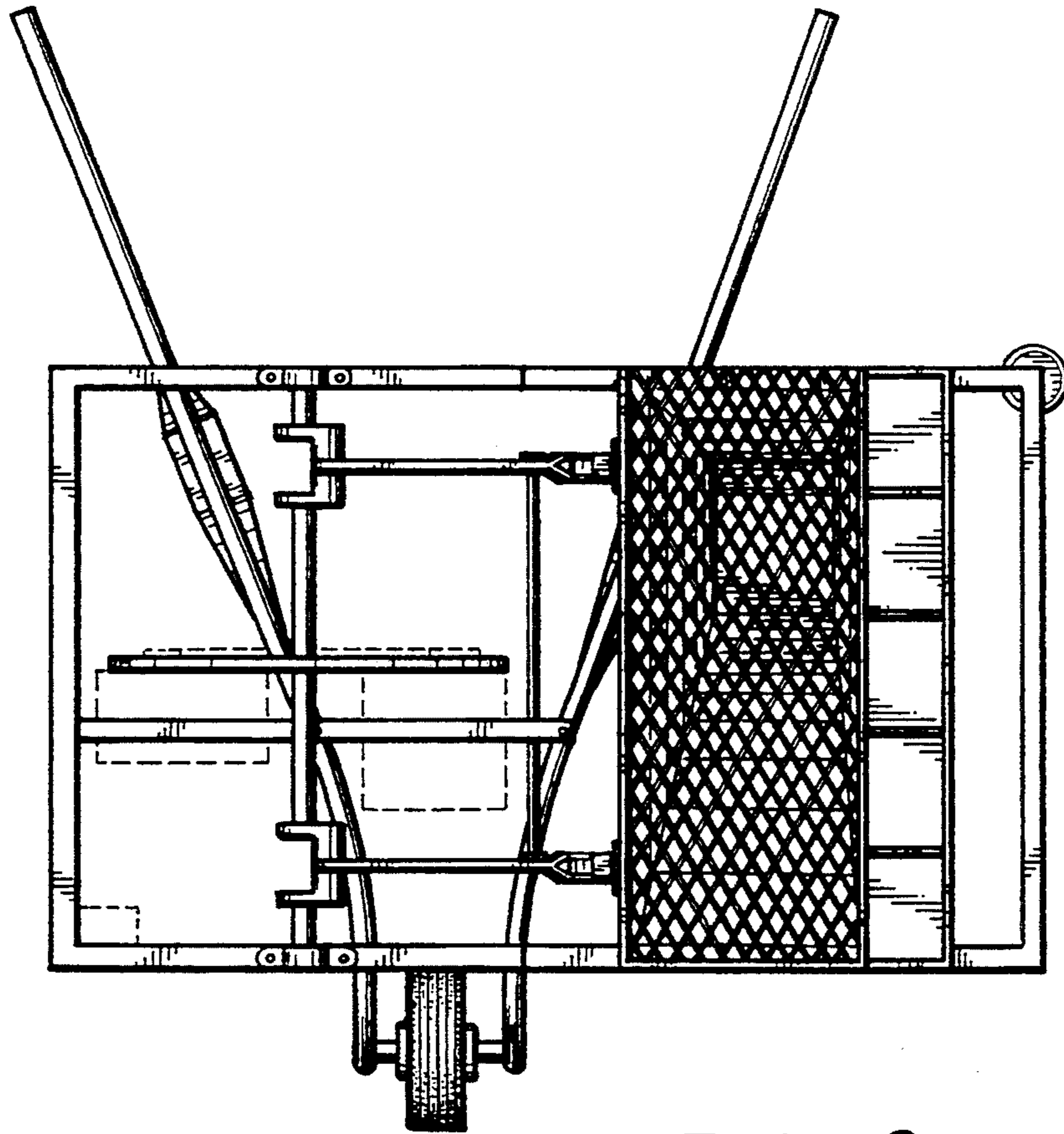


FIG. 2

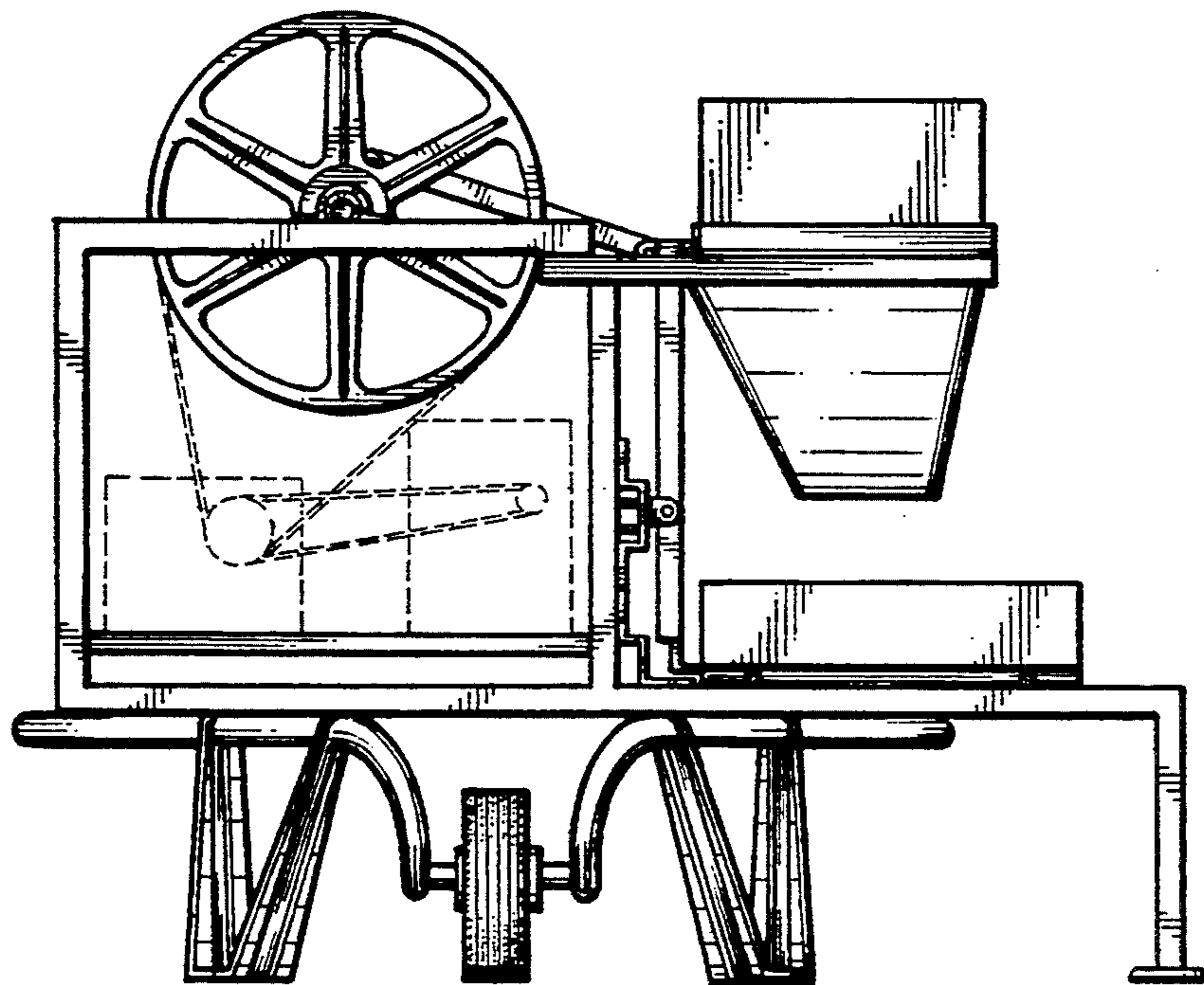


FIG. 3

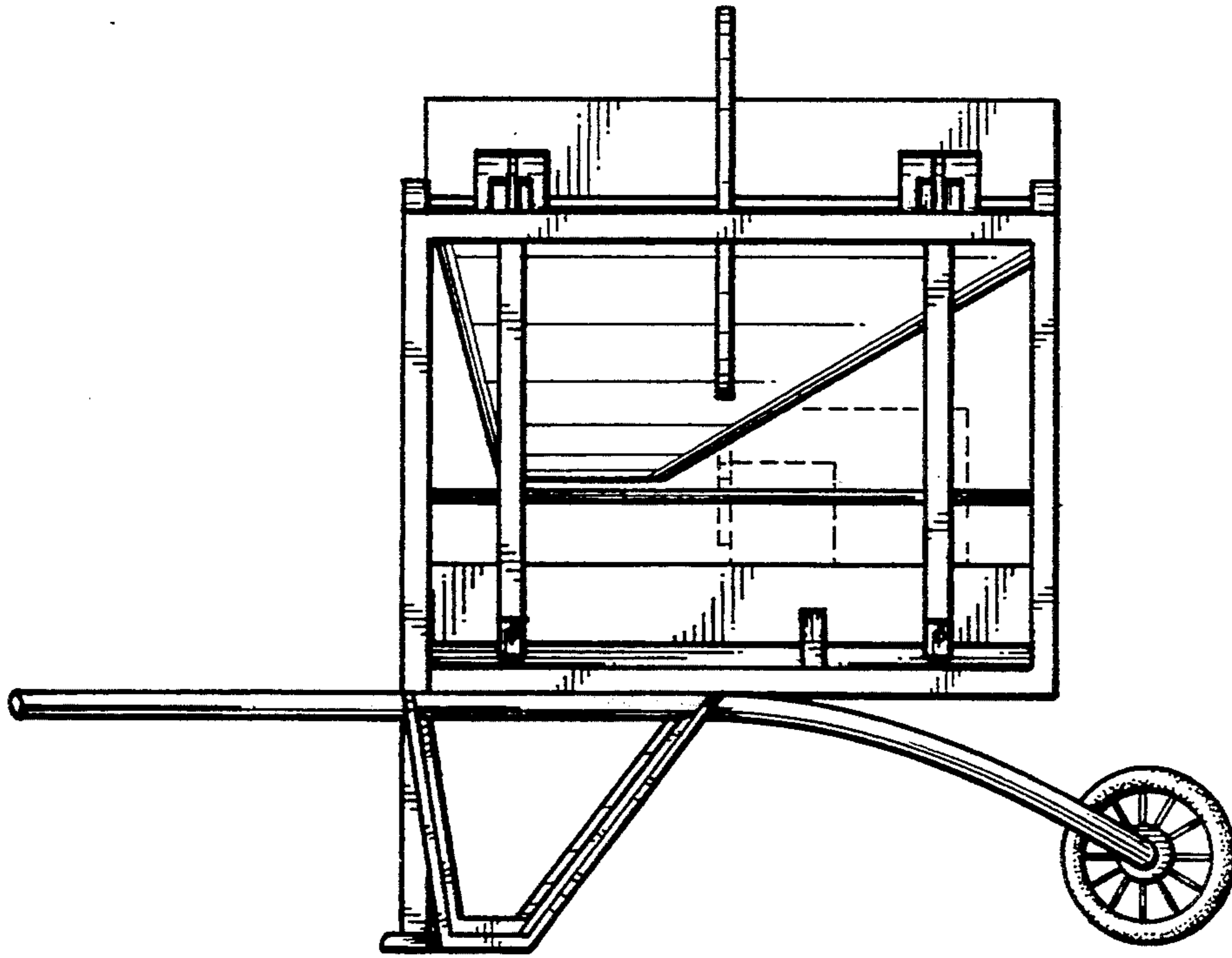


FIG. 4

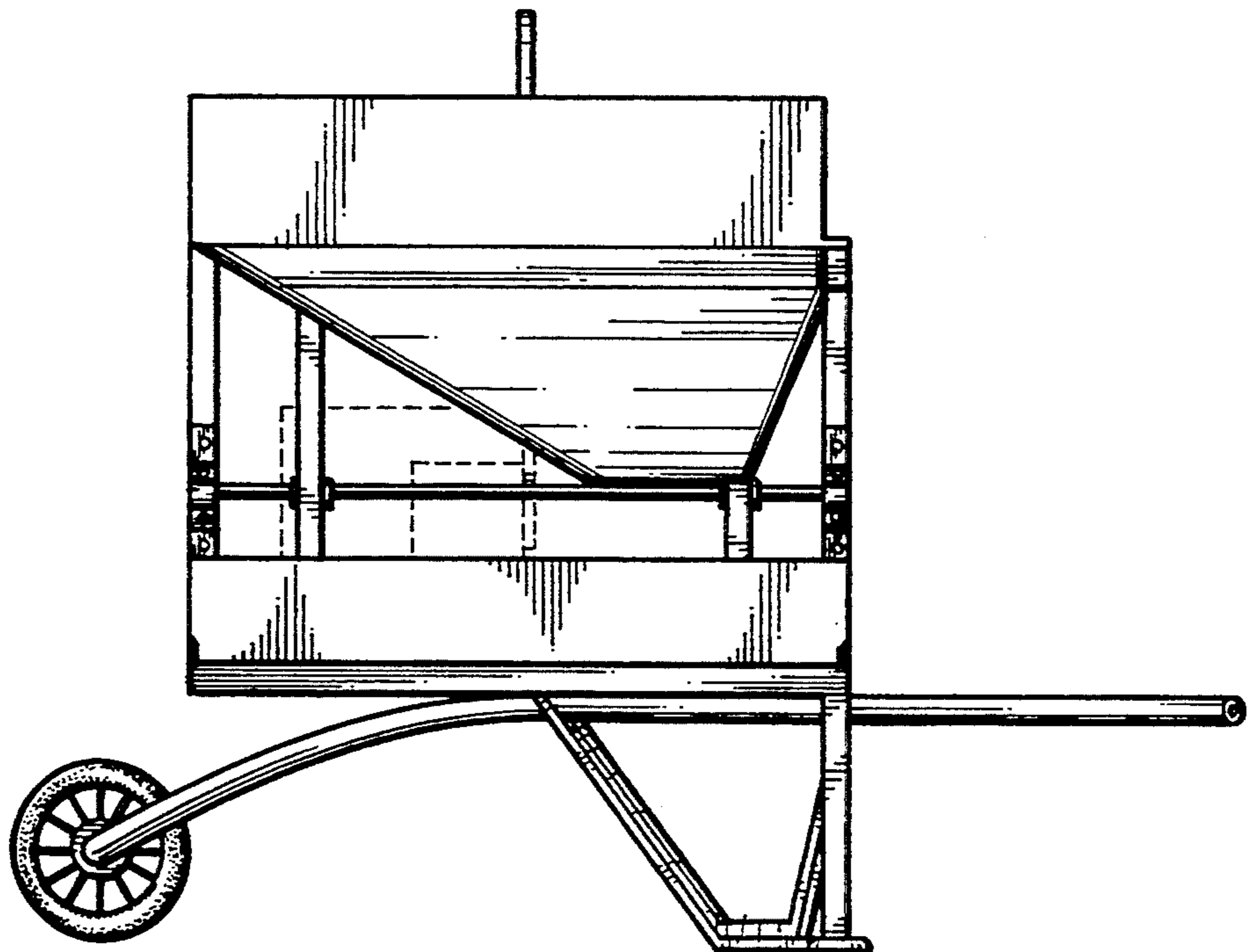


FIG. 5

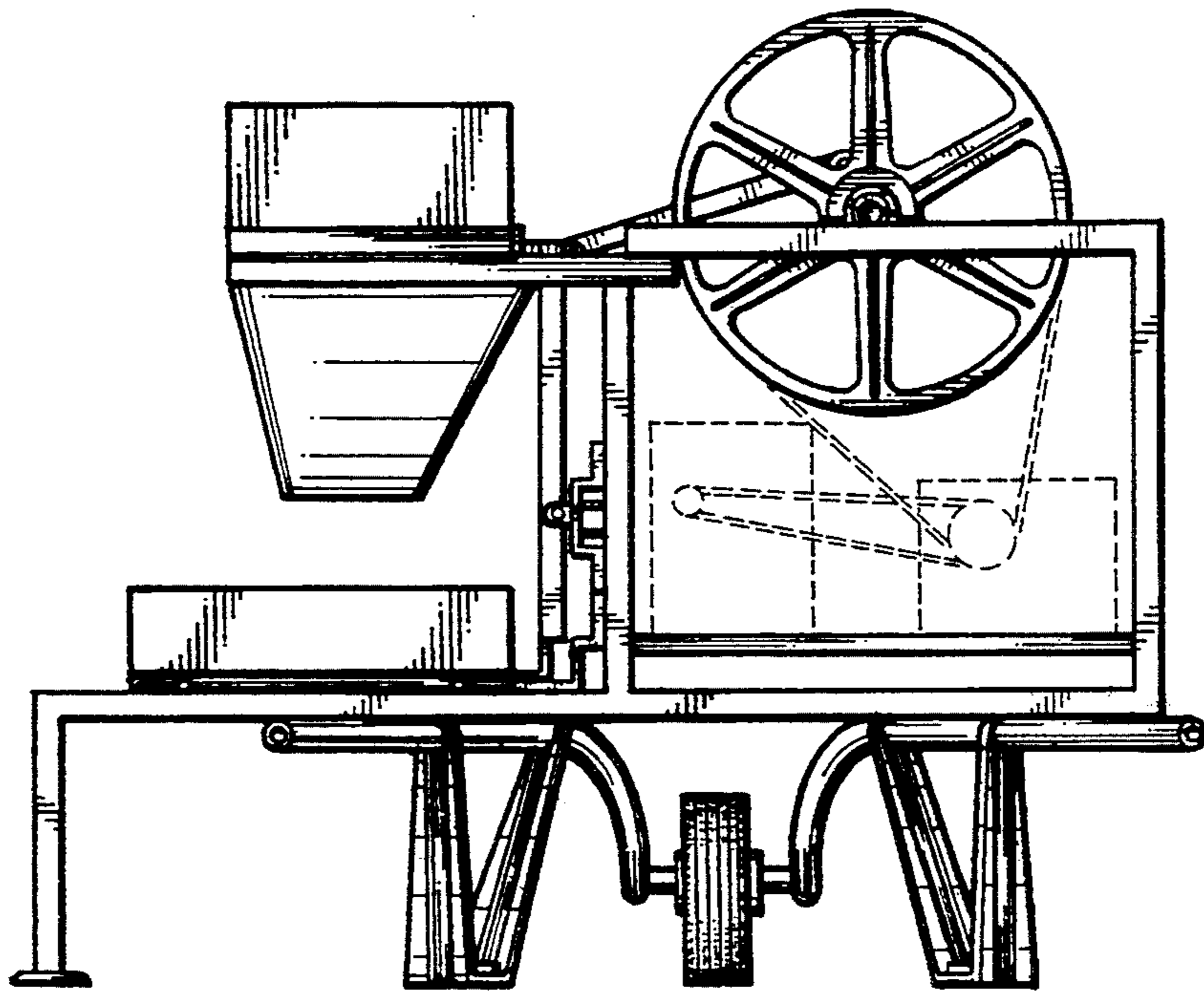


FIG. 6

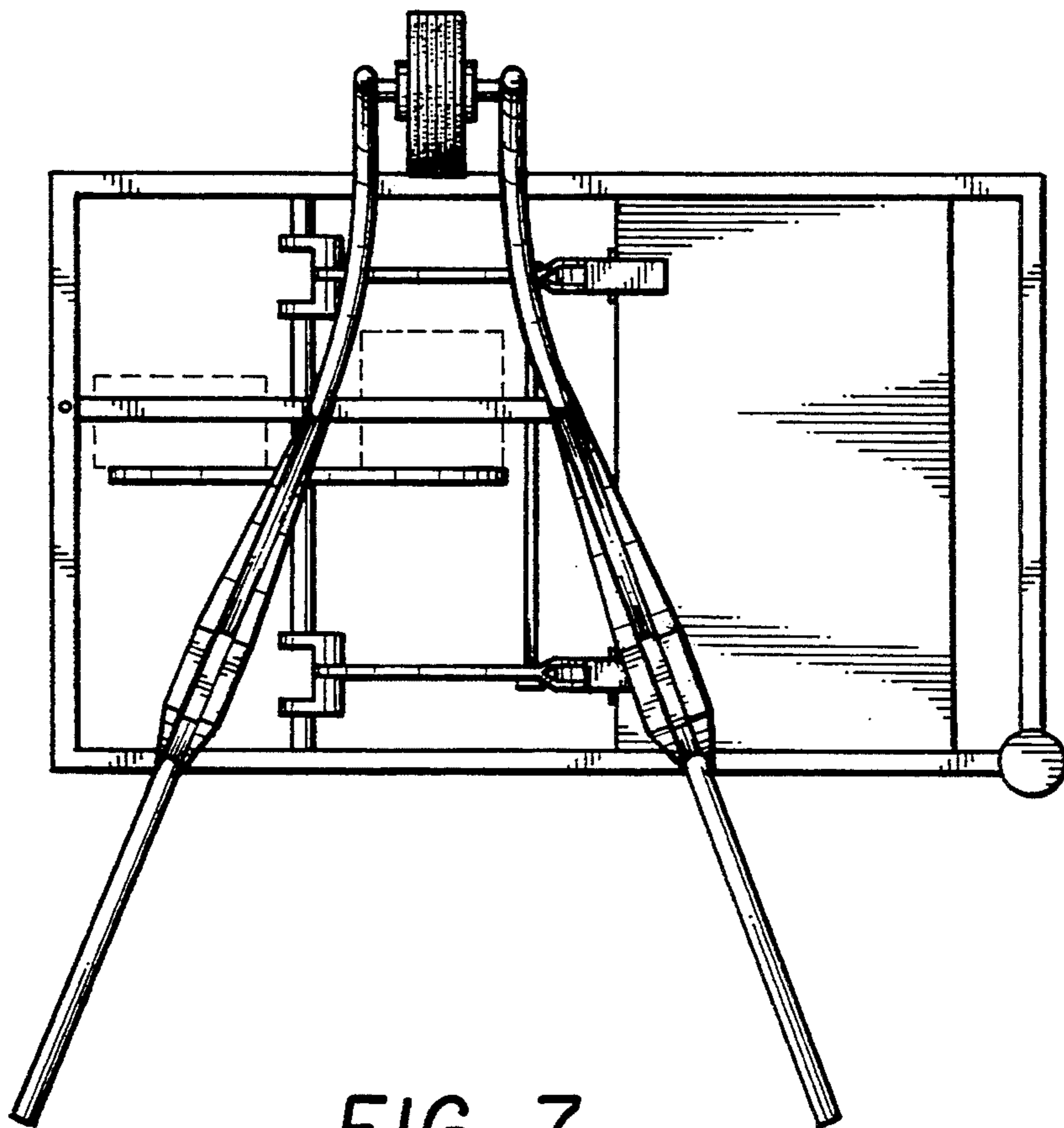


FIG. 7