



US00D360887S

United States Patent [19]

[11] Patent Number: **Des. 360,887**

Karnaze

[45] Date of Patent: **** Aug. 1, 1995**

[54] **SPEAKER STAND**

[76] Inventor: **Christopher Karnaze**, 39 Pond St.,
San Francisco, Calif. 94114

[**] Term: **14 Years**

[21] Appl. No.: **25,950**

[22] Filed: **Jul. 18, 1994**

[52] U.S. Cl. **D14/224; D6/449**

[58] Field of Search **D6/449, 451, 455, 486,
D6/487; D14/204, 211, 221, 224; 248/158, 346**

[56] **References Cited**

U.S. PATENT DOCUMENTS

D. 318,280	7/1991	Sumrell et al.	D14/224
D. 325,133	4/1992	Stravitz	D6/449 X
D. 343,310	1/1994	Wong	D6/487 X
2,470,011	5/1949	Winter et al.	248/158
5,169,104	12/1992	Kwoh	D14/224 X

OTHER PUBLICATIONS

Stereo Review, Nov. 1986, p. 55, B&W Matrix 1
Speaker System.

HighFidelity Heretic, No. 12, Sep. 1989, p. 2, Target
Stands HJ51/2 and HJ38/3.

Stereo Review, Mar. 1990, p. 13, Goldstands speaker
stands.

Primary Examiner—Theodore M. Shooman

Assistant Examiner—Nanda Bondade

Attorney, Agent, or Firm—Francis X. LoJacono

[57] **CLAIM**

The ornamental design for a speaker stand, as shown
and described.

DESCRIPTION

FIG. 1 is a perspective view of a speaker stand, showing
my new design;

FIG. 2 is a front-elevational view thereof;

FIG. 3 is a side-elevational view, the right and left sides
being identical to each other;

FIG. 4 is a rear-elevational view thereof;

FIG. 5 is a top plan view thereof; and,

FIG. 6 is a bottom plan view thereof.

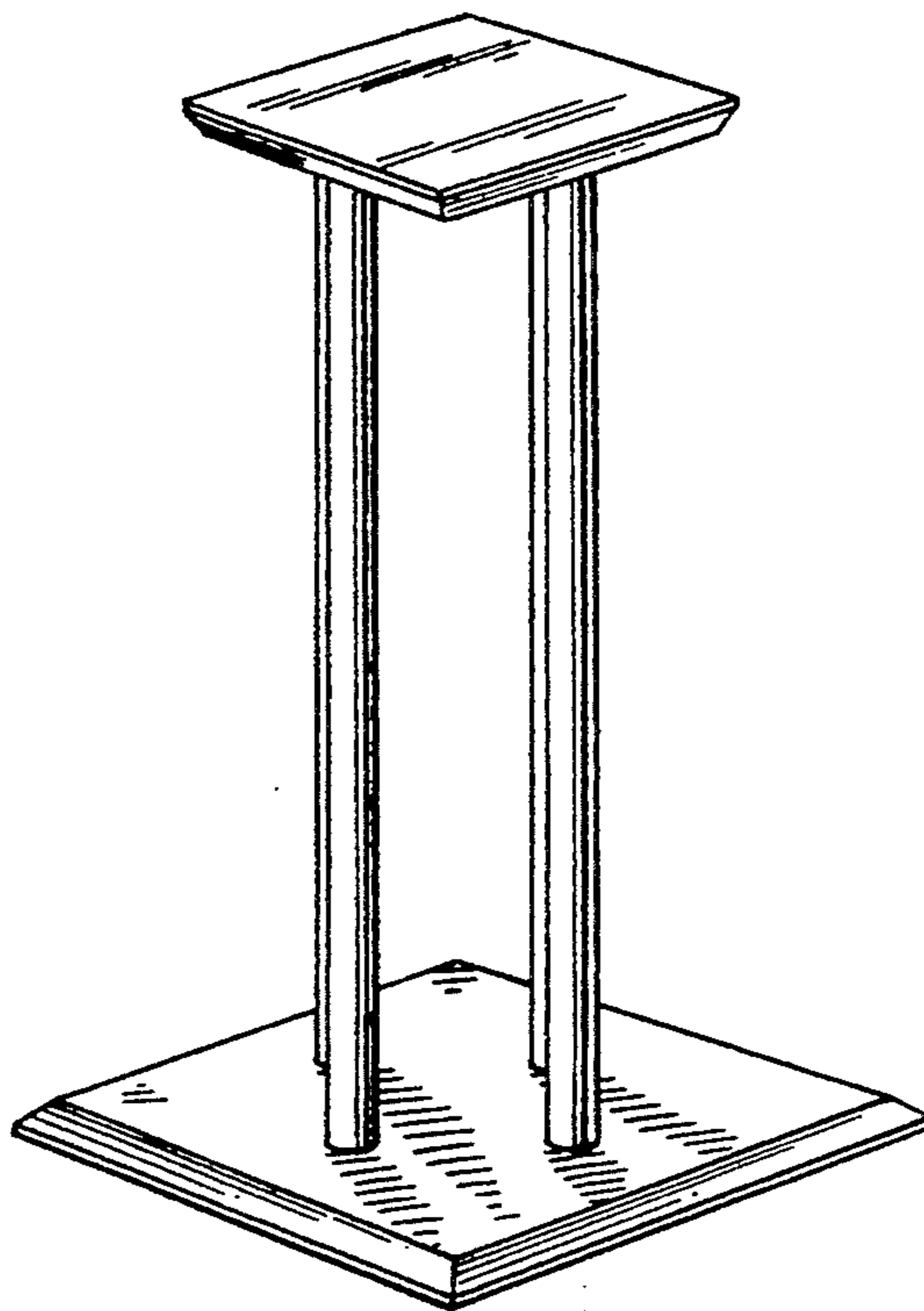


FIG. 1

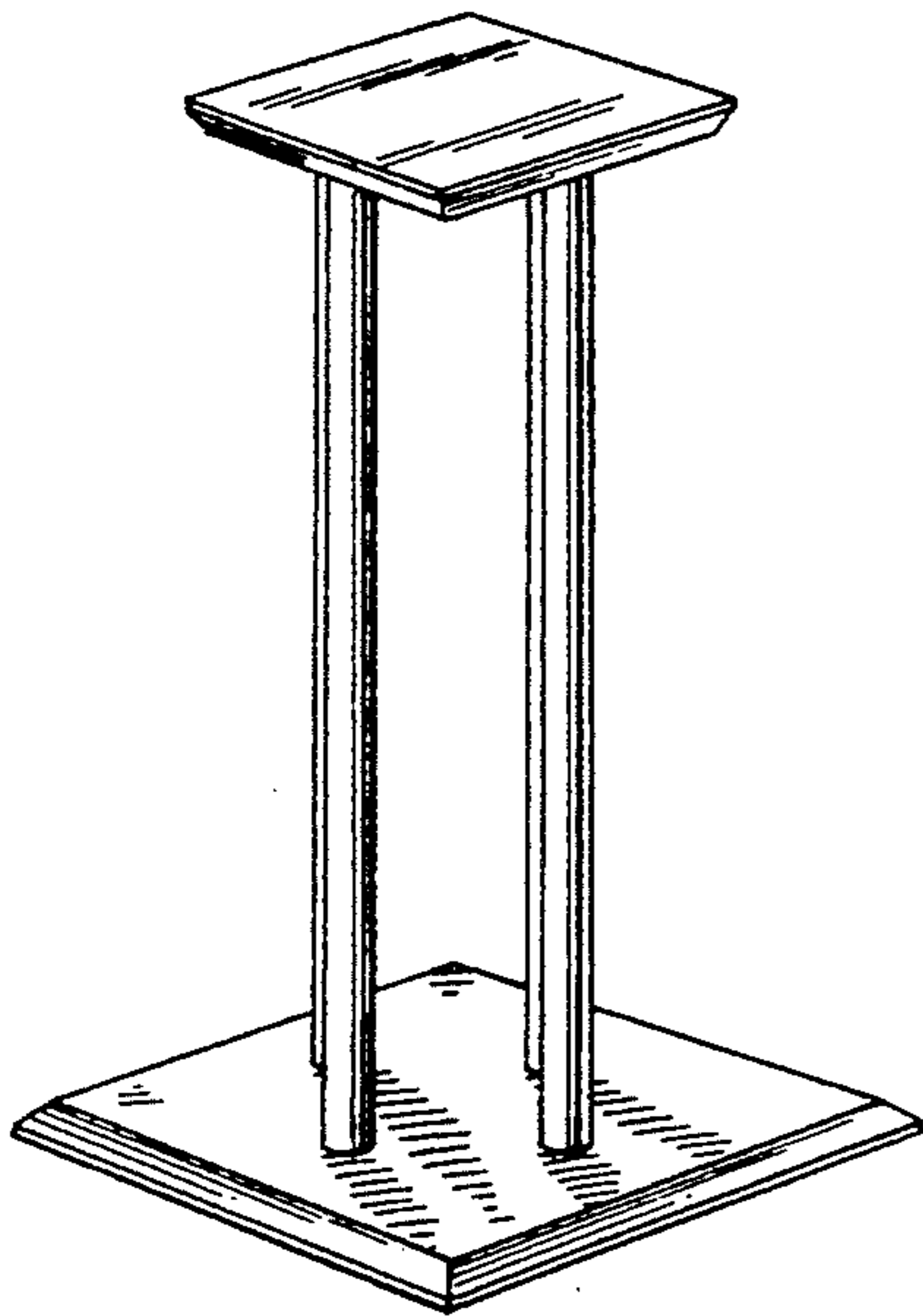


FIG. 2

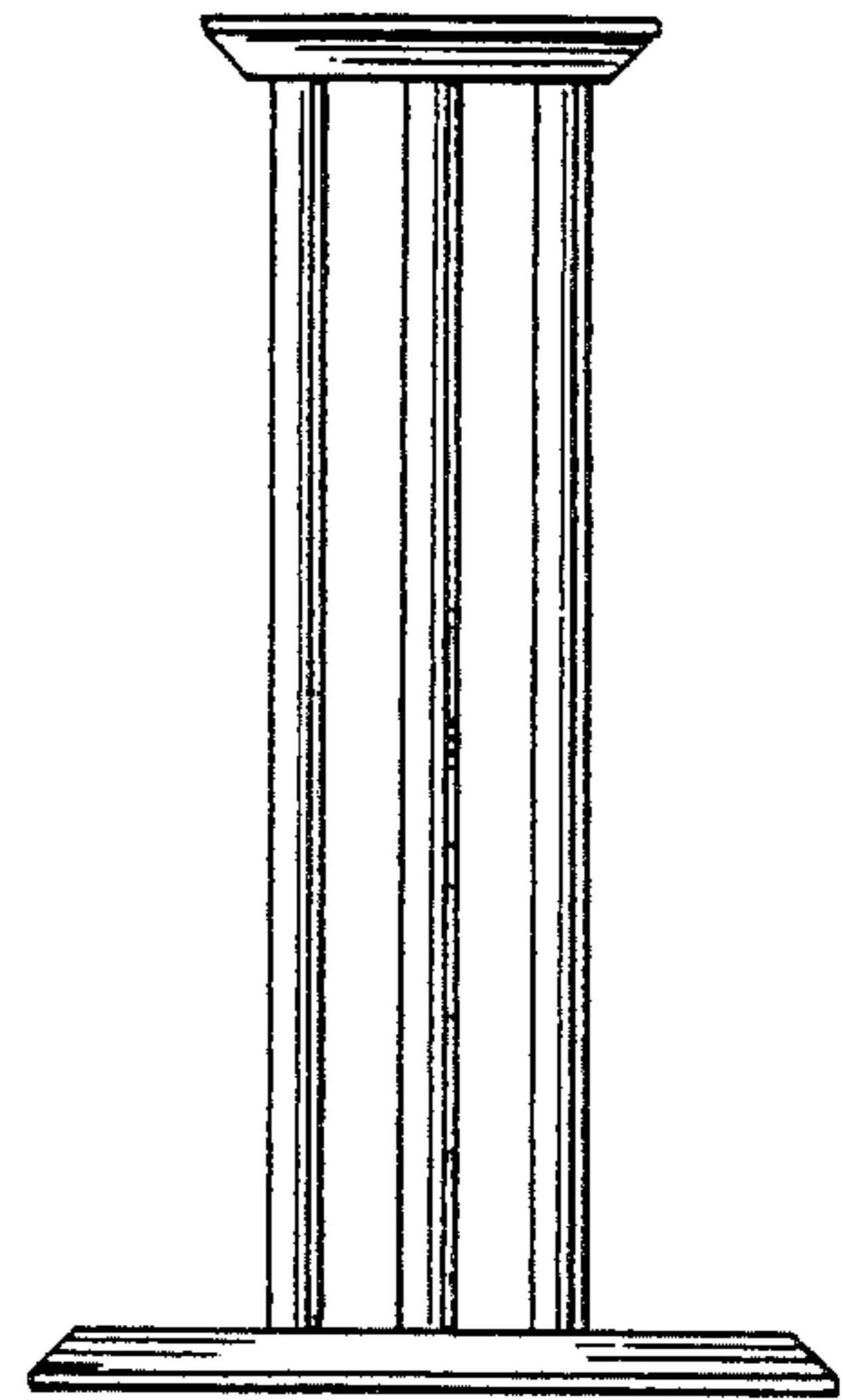


FIG. 3

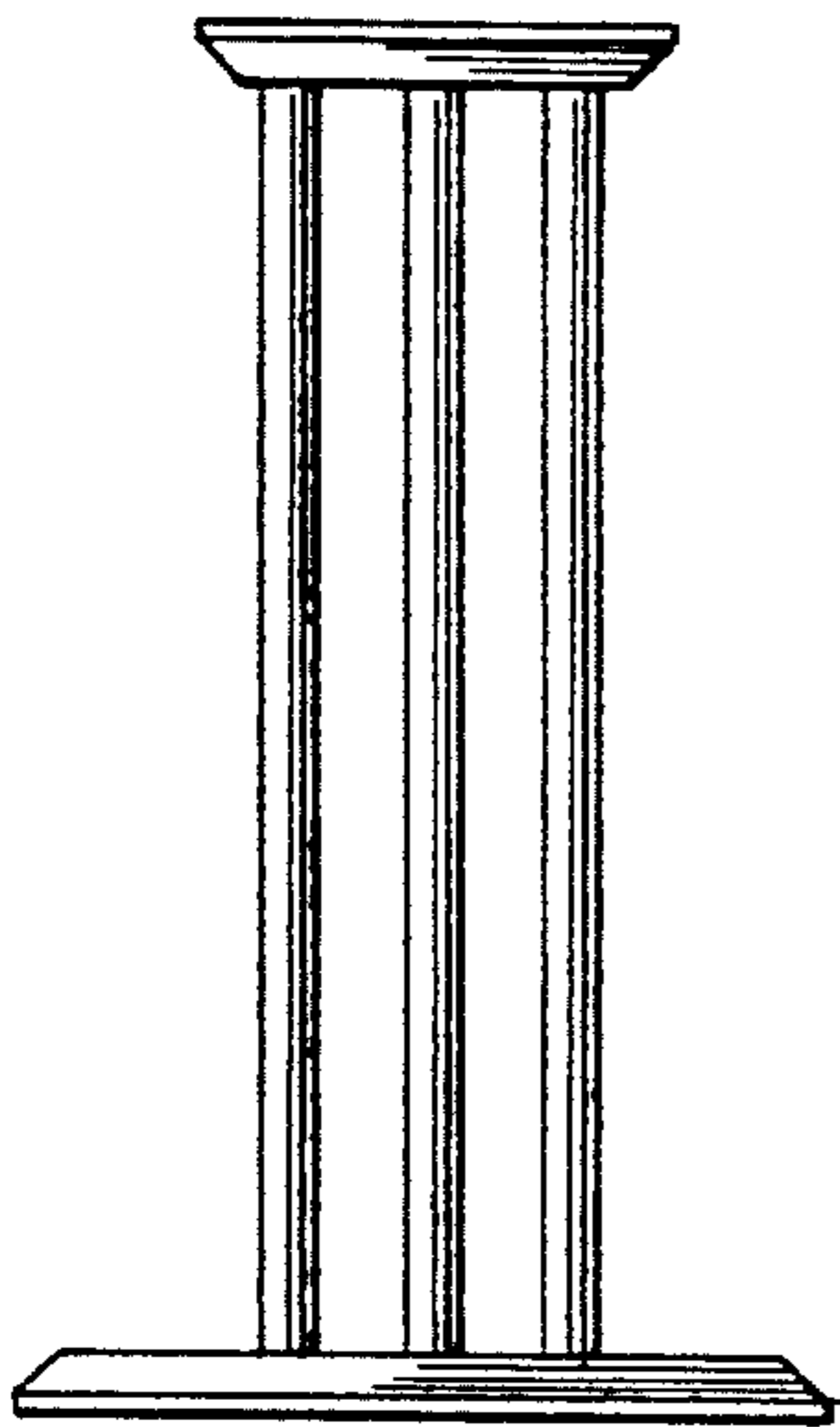


FIG. 4

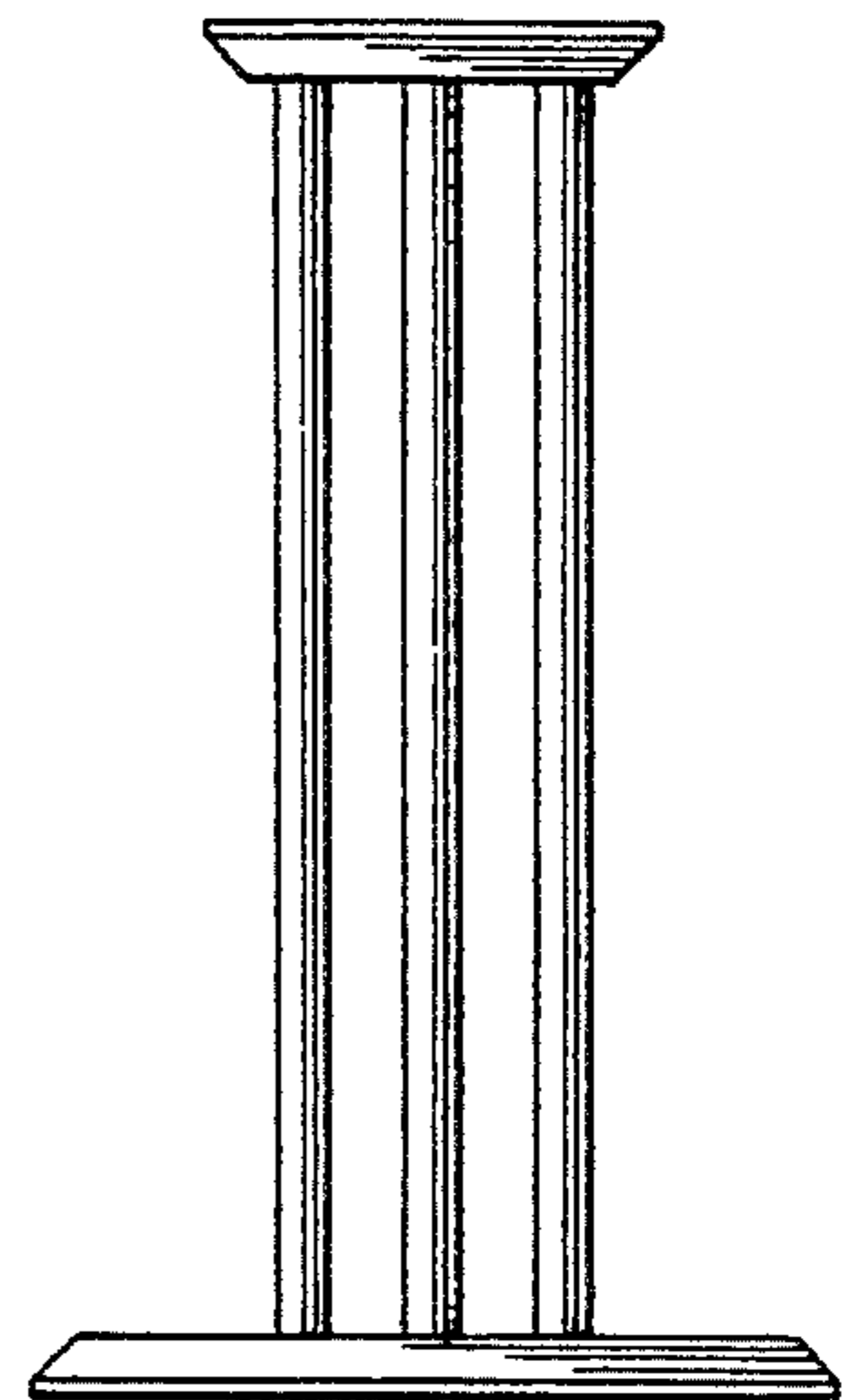


FIG. 5

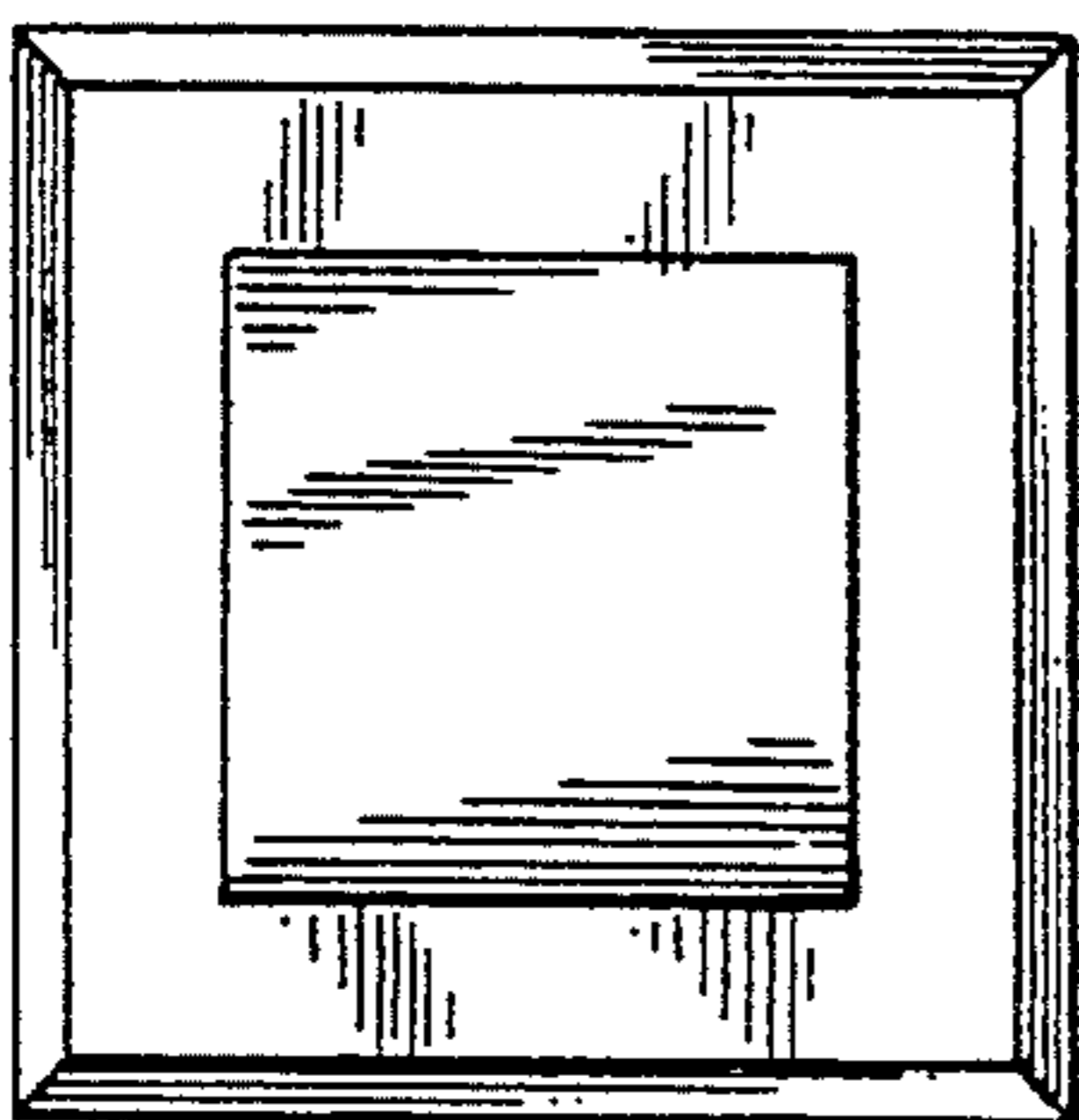


FIG. 6

