



US00D360885S

United States Patent [19] Sheu

[11] Patent Number: Des. 360,885
[45] Date of Patent: ** Aug. 1, 1995

- [54] **SPEAKER UNIT**
- [75] Inventor: **Wen C. Sheu, Chung-Ho, Taiwan**
- [73] Assignee: **High Grade Industries Co., Ltd.,
Chunf-Ho, Taiwan**
- [**] Term: **14 Years**
- [21] Appl. No.: **16,249**
- [22] Filed: **Dec. 10, 1993**
- [52] U.S. Cl. **D14/215**
- [58] Field of Search **D14/172, 204, 210, 211,
D14/213-216, 221, 229; 181/144, 148, 153, 198,
199; 381/88, 90**

- D. 317,008 5/1991 Emmetling D14/210 X
- D. 342,522 12/1993 Kurachi D14/213

Primary Examiner—Terry A. Wallace
Assistant Examiner—Nanda Bondade
Attorney, Agent, or Firm—Browdy and Neimark

[57] CLAIM

The ornamental design for speaker unit, as shown and described.

DESCRIPTION

FIG. 1 is a front elevational view of a speaker unit showing my new design;
FIG. 2 is a rear elevational view thereof;
FIG. 3 is a reduced left side elevational view thereof;
FIG. 4 is a reduced right side elevational view thereof;
FIG. 5 is a top plan view thereof;
FIG. 6 is a bottom plan view thereof; and,
FIG. 7 is a perspective view thereof.

- [56] **References Cited**
- U.S. PATENT DOCUMENTS**
- D. 254,251 2/1980 Ward D14/211
- D. 311,189 10/1990 Lazzeroni et al. D14/229

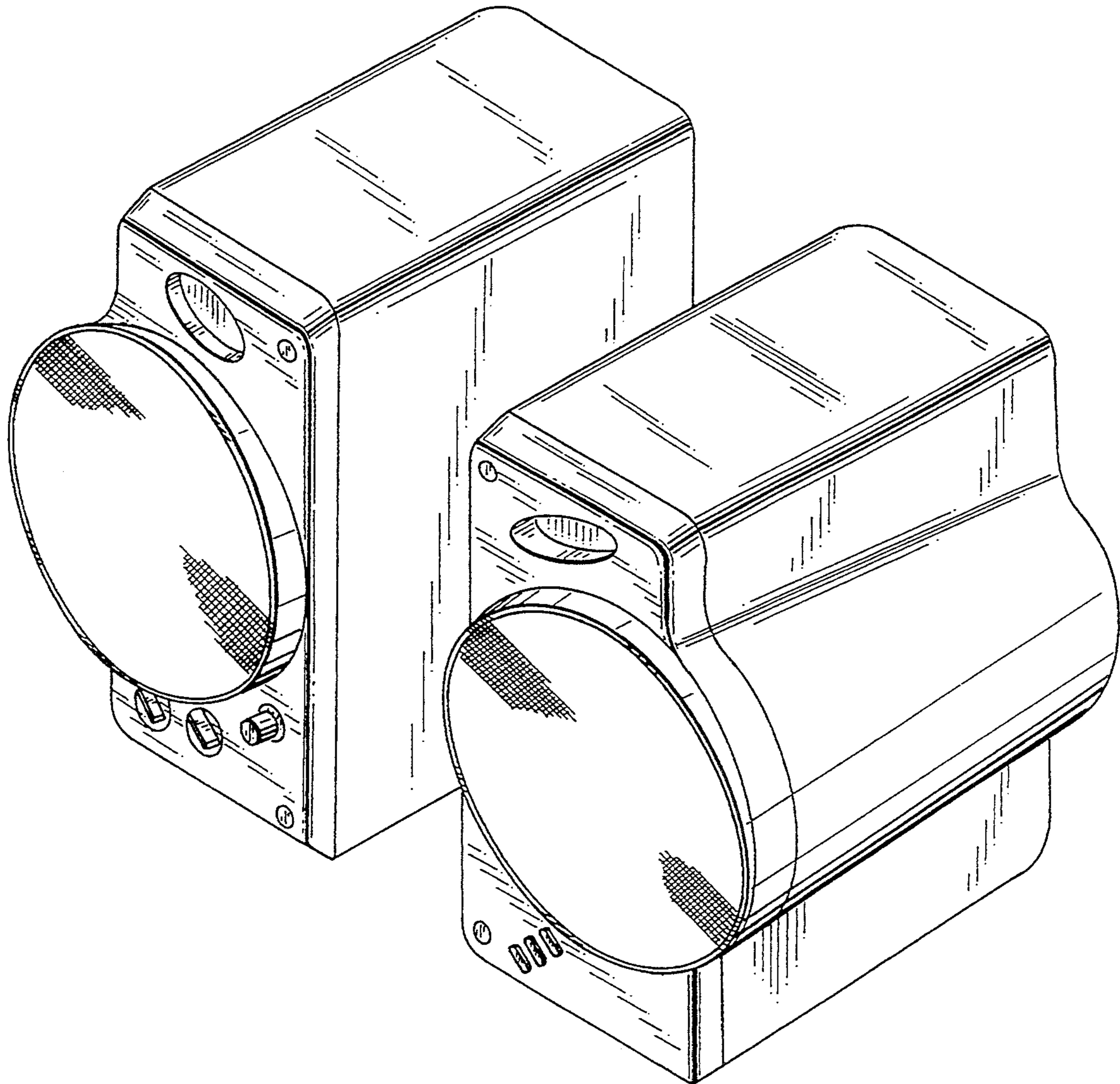


FIG. 1

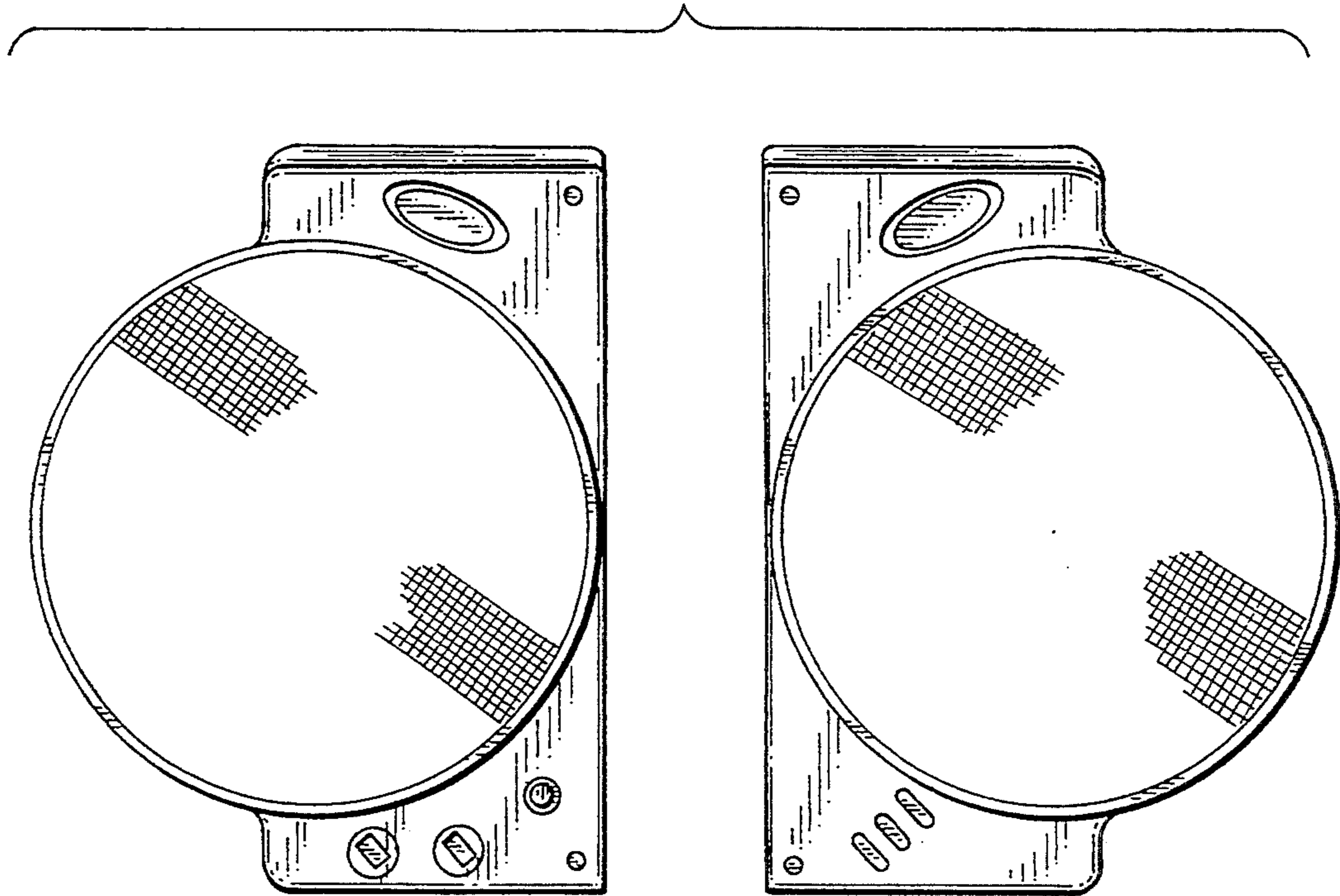


FIG. 2

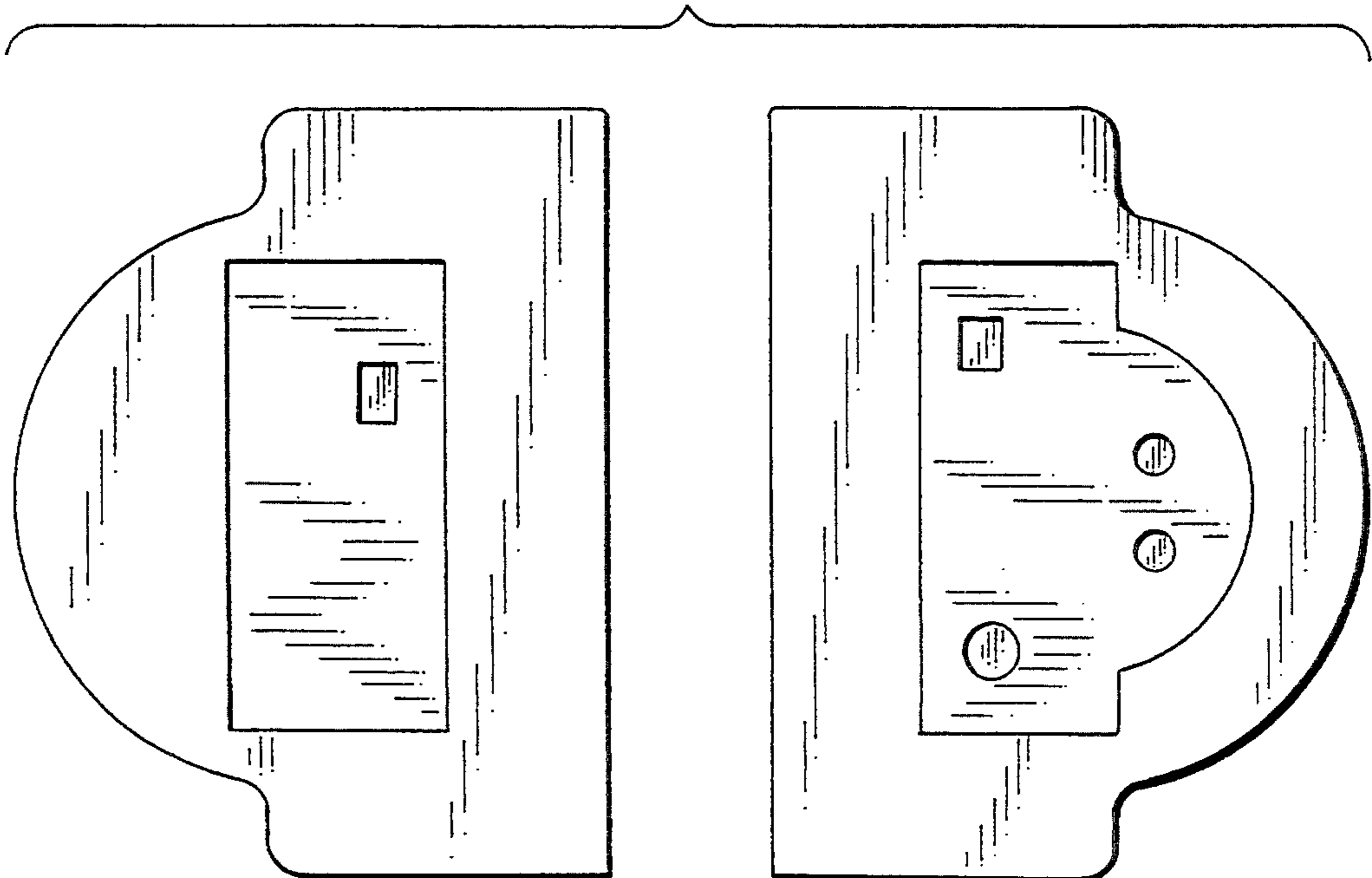


FIG. 3

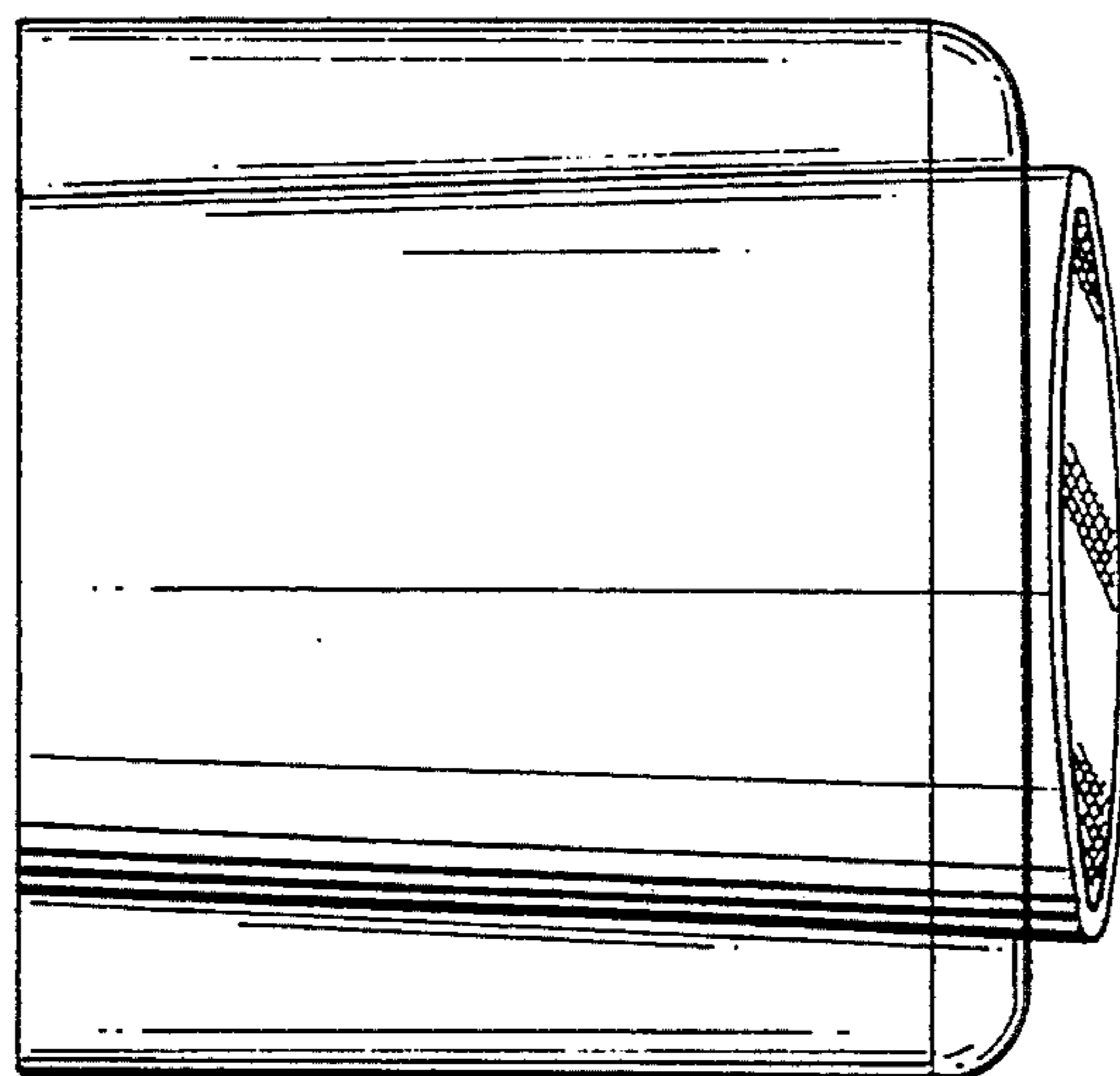


FIG. 4

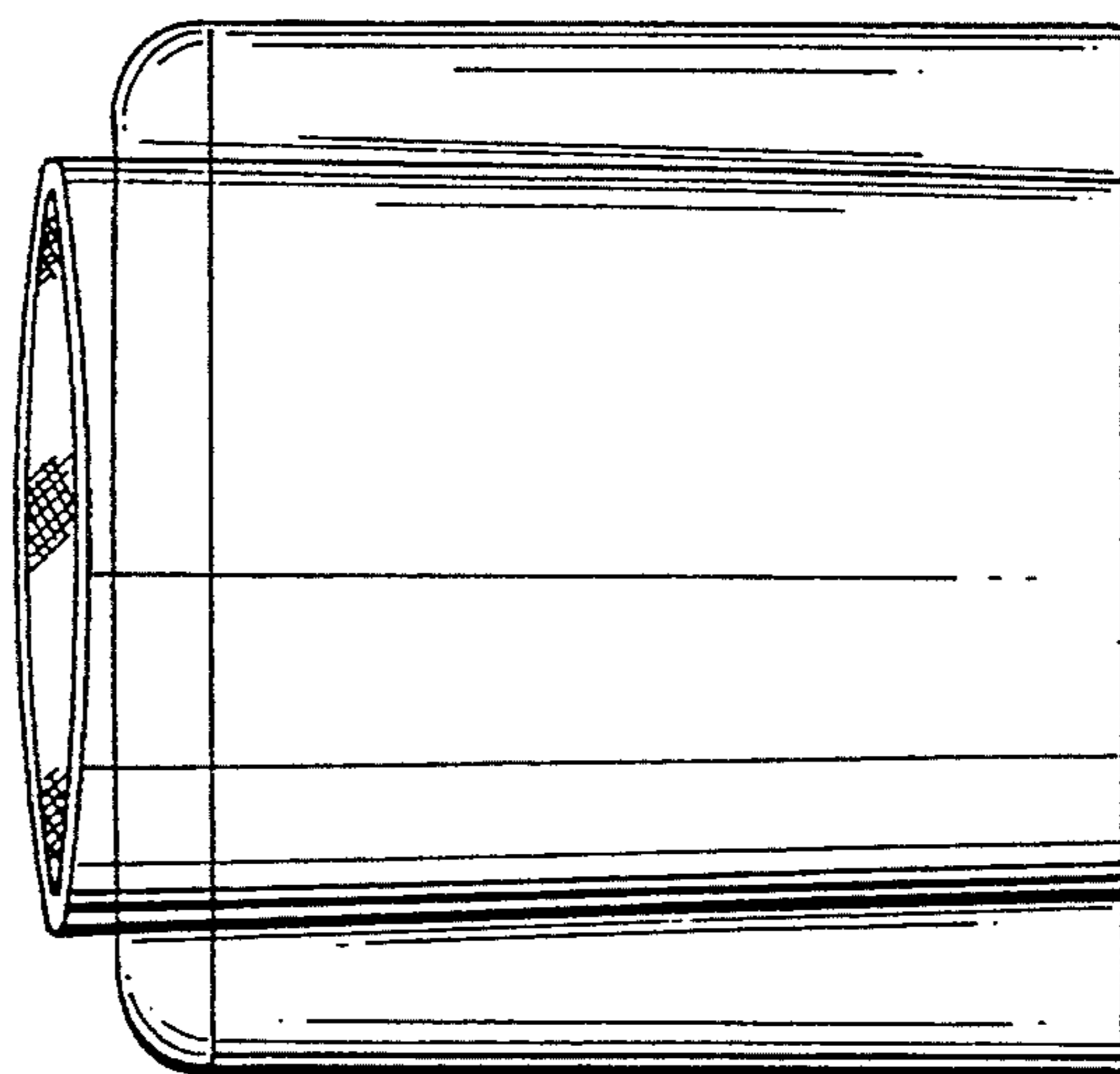


FIG. 5

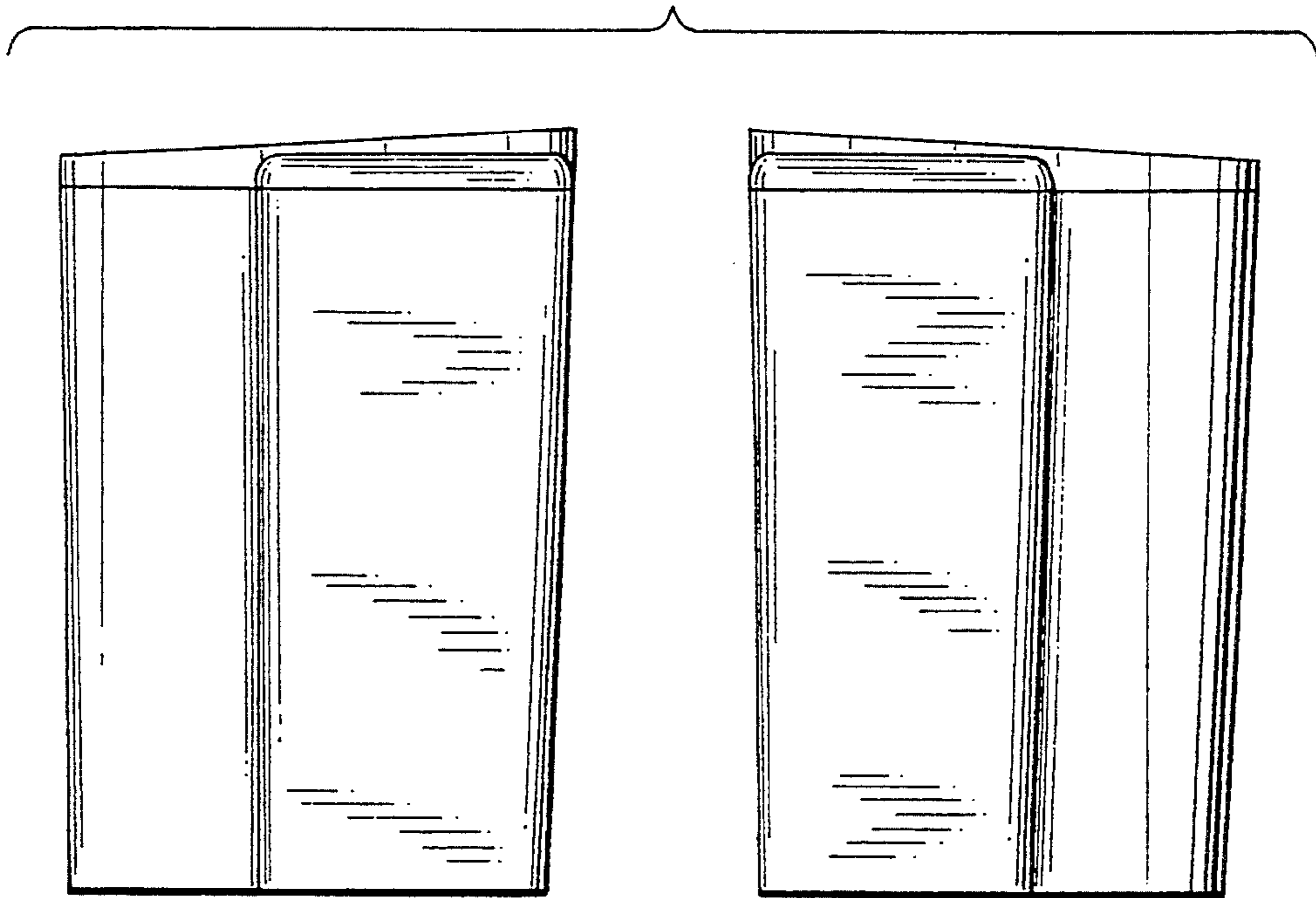


FIG. 6

