



US00D360881S

United States Patent [19]

[11] Patent Number: **Des. 360,881**

Johnson

[45] Date of Patent: **** Aug. 1, 1995**

[54] **AUDIO/VIDEO CONSOLE**

4,838,177 6/1989 Vander Park 312/195 X
5,013,104 5/1991 Knoppel et al. D14/103 X

[75] Inventor: **Reed B. Johnson**, Cumming, Ga.

[73] Assignee: **Usability Systems, Inc.**, Alpharetta, Ga.

[**] Term: **14 Years**

[21] Appl. No.: **26,064**

[22] Filed: **Jul. 18, 1994**

[52] U.S. Cl. **D14/103; D6/423**

[58] Field of Search **D6/396, 397, 419-428, D6/449; D14/103, 104; 312/7.2**

OTHER PUBLICATIONS

"Infra-Structures" Brochure, 1986, item: IFS Triple Rack Mount Command Module.
Winsted 1993 Video Furniture catalog.

Primary Examiner—Alan P. Douglas
Assistant Examiner—Cathron B. Matta
Attorney, Agent, or Firm—Bernstein & Associates

[57] CLAIM

The ornamental design for my audio/video console, as shown and described.

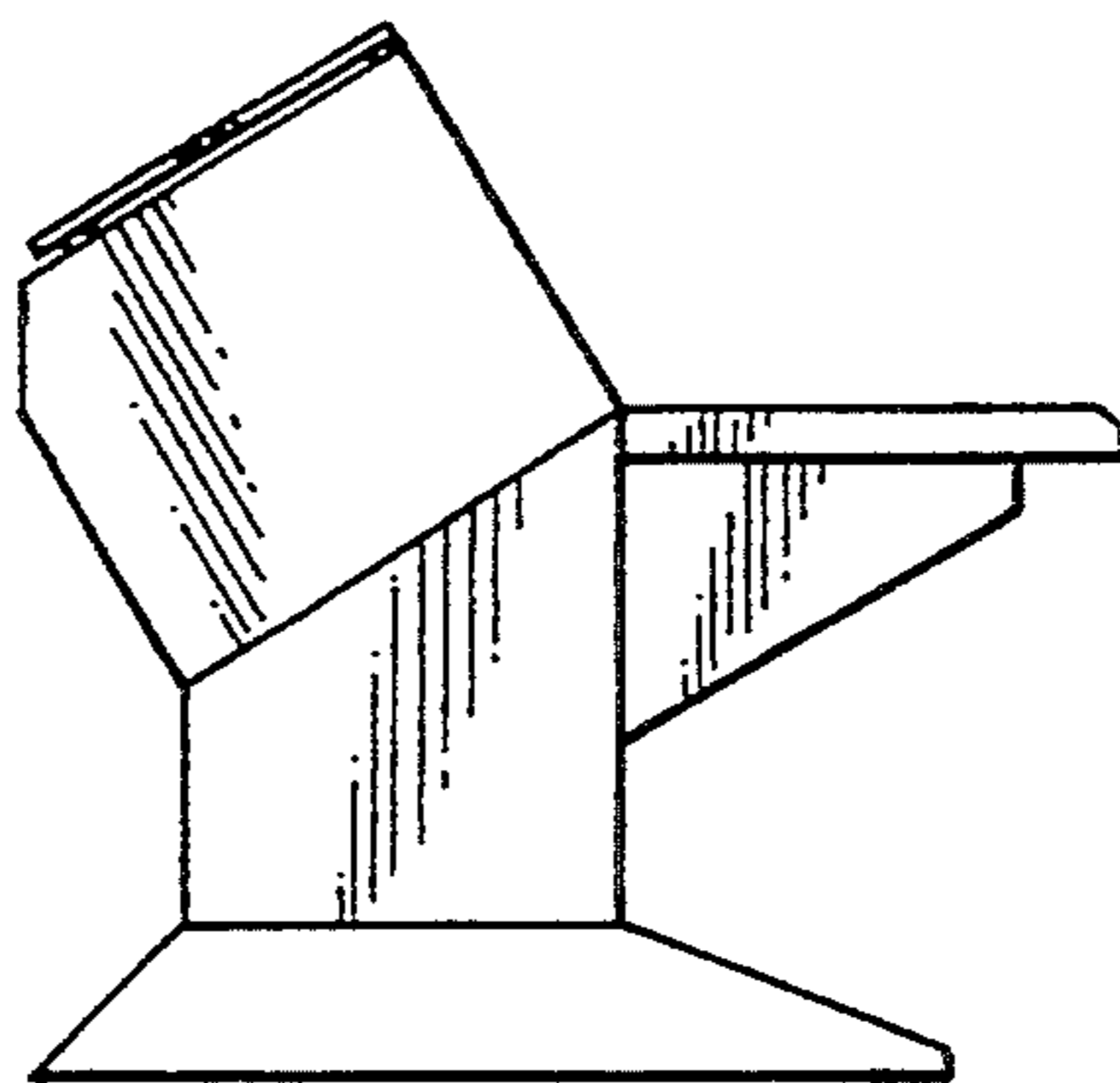
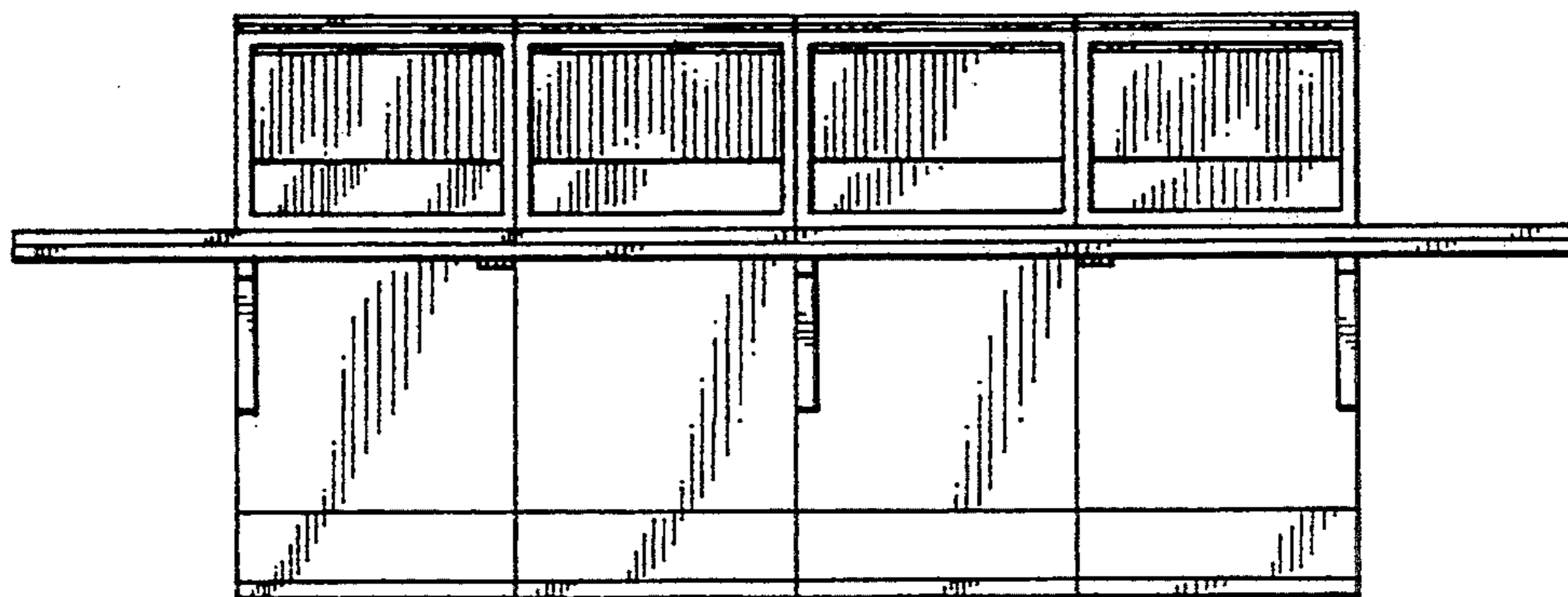
[56] References Cited

U.S. PATENT DOCUMENTS

D. 206,840	1/1967	Ziegelman	D6/427	X
D. 213,592	3/1968	Anders	D14/103	X
D. 222,645	11/1971	DeLuca	D14/103	
D. 267,690	1/1983	Verdesca	D6/426	
D. 339,571	9/1993	Drabczyk et al.	D6/421	X
D. 341,575	11/1993	Drabczyk et al.	D14/104	X
4,082,945	4/1978	Van De Goor et al.	D14/104	X

DESCRIPTION

FIG. 1 is a front side elevation view of my audio/video console;
FIG. 2 is a top plan view thereof;
FIG. 3 is a bottom plan view thereof;
FIG. 4 is a left side elevation view thereof;
FIG. 5 is a right side elevation view thereof; and,
FIG. 6 is a rear side elevation view thereof.



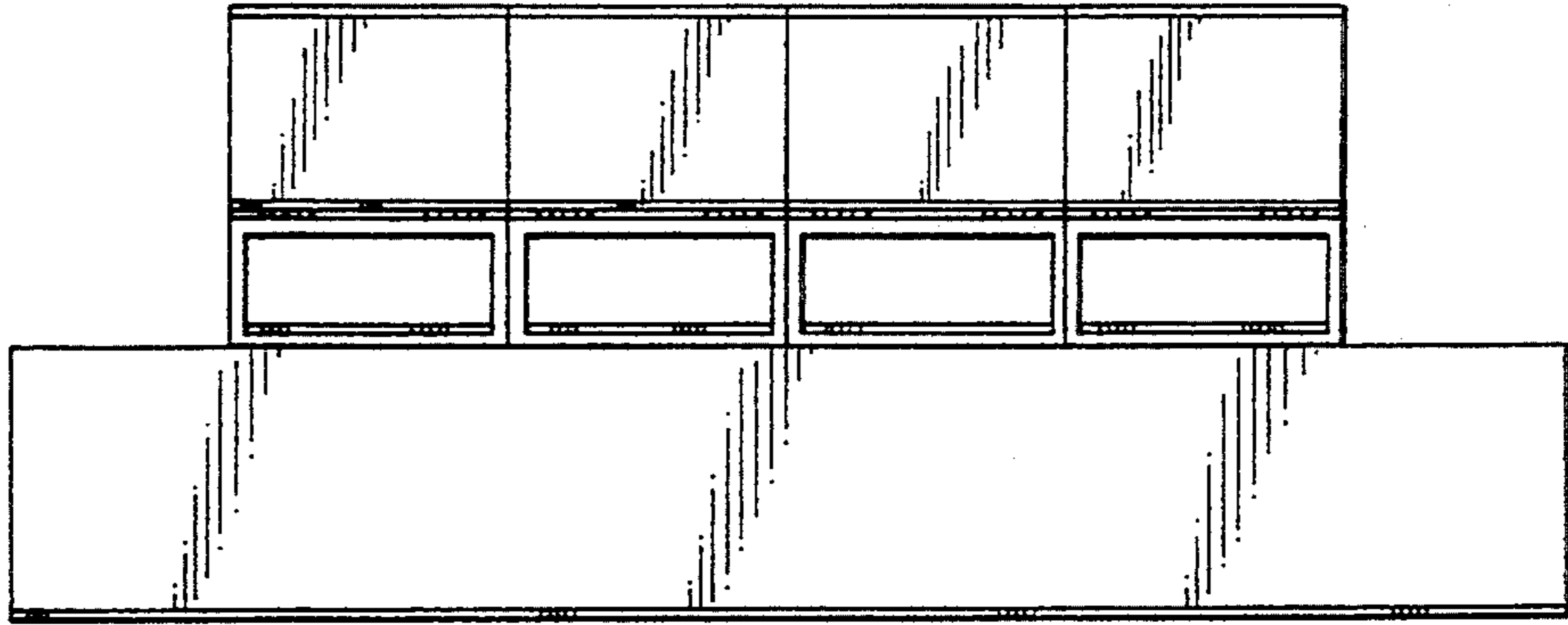


FIG 2

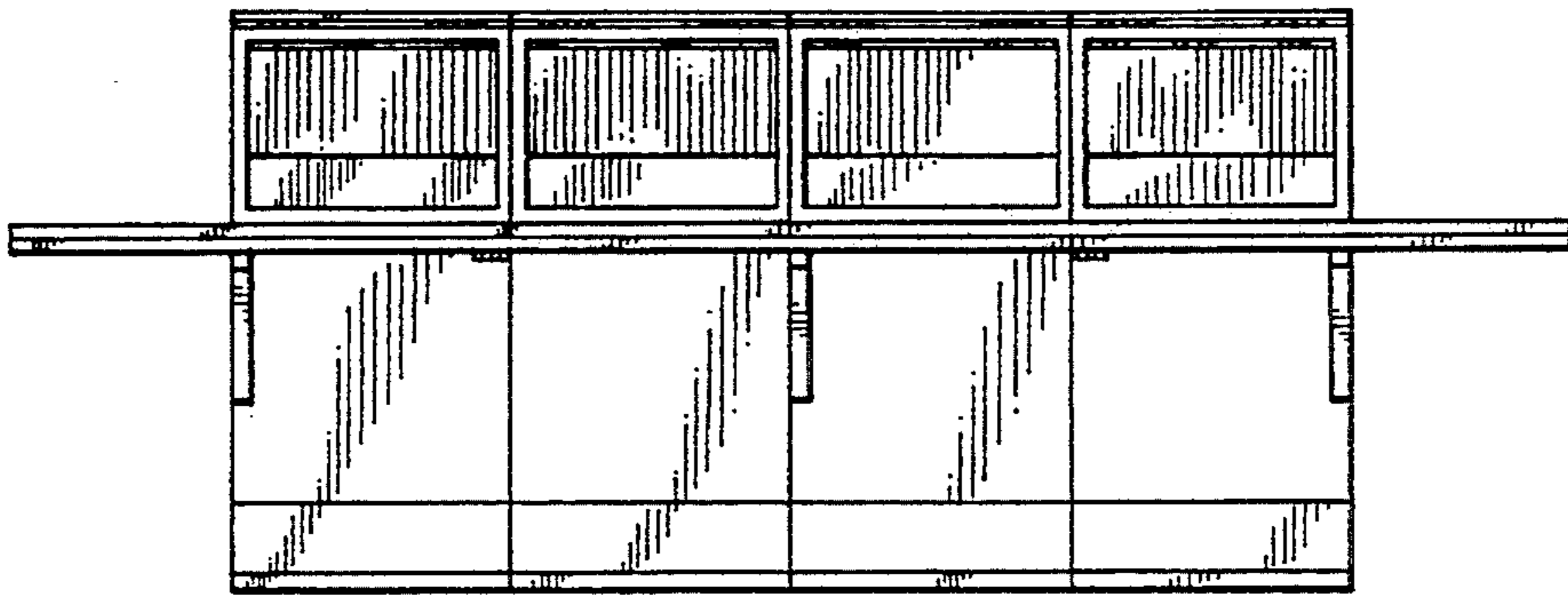


FIG 1

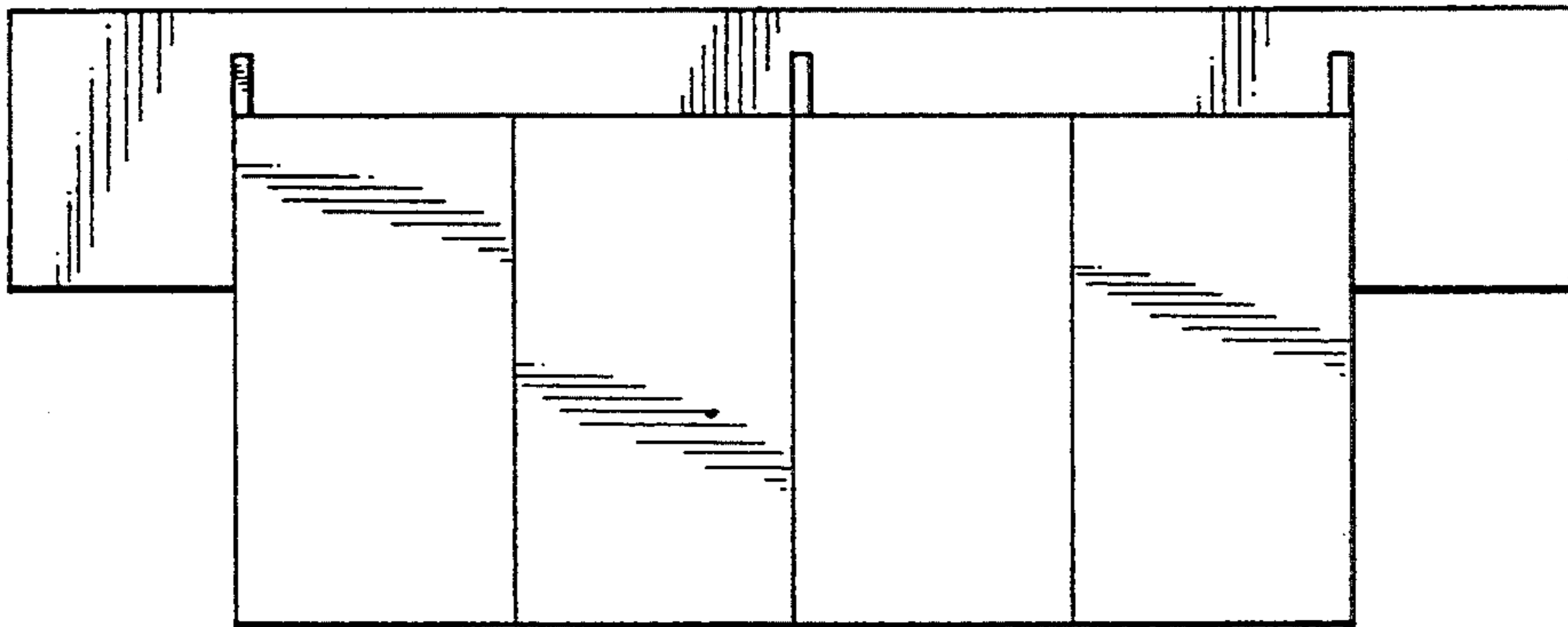


FIG 3

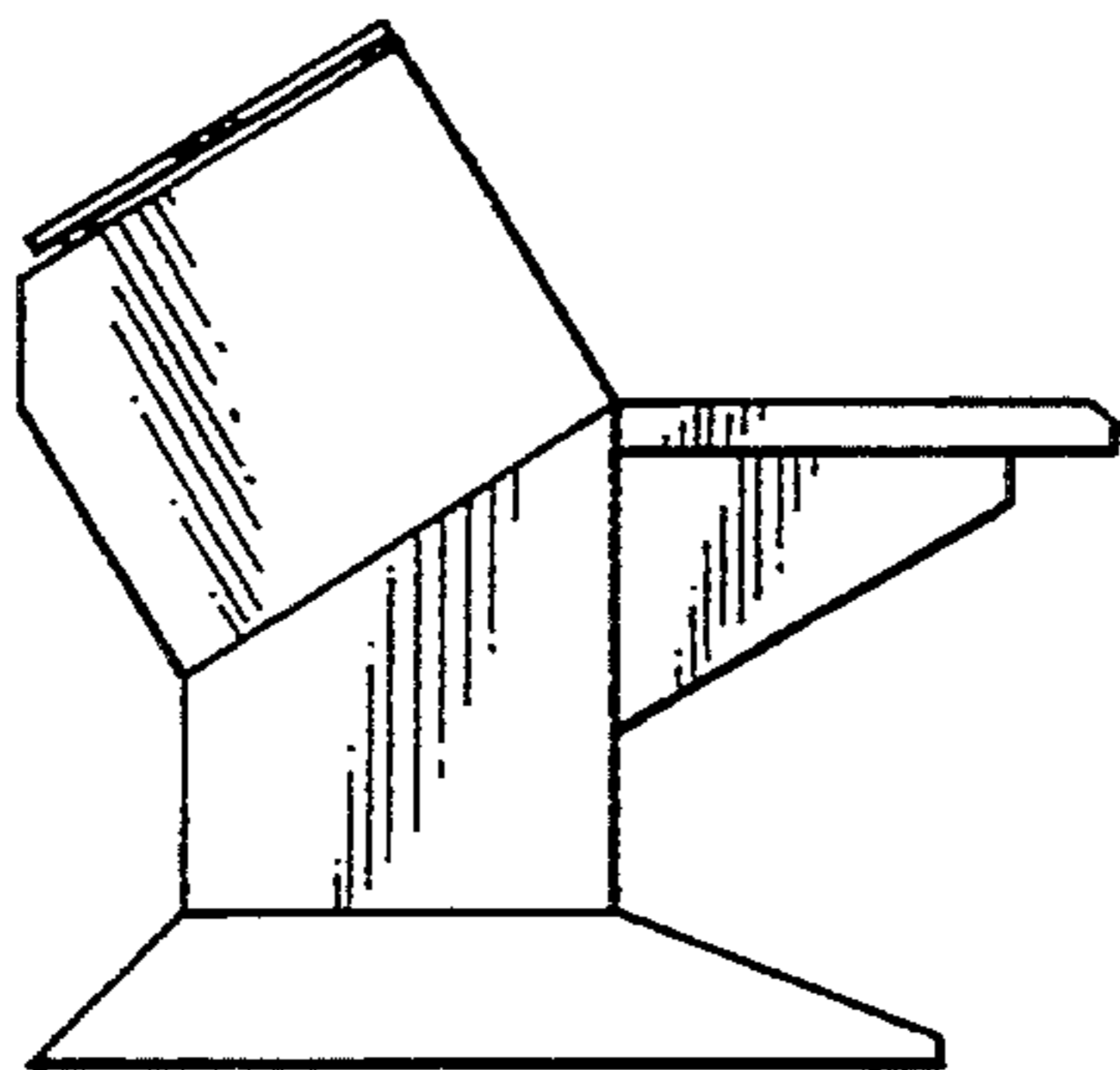


FIG 4

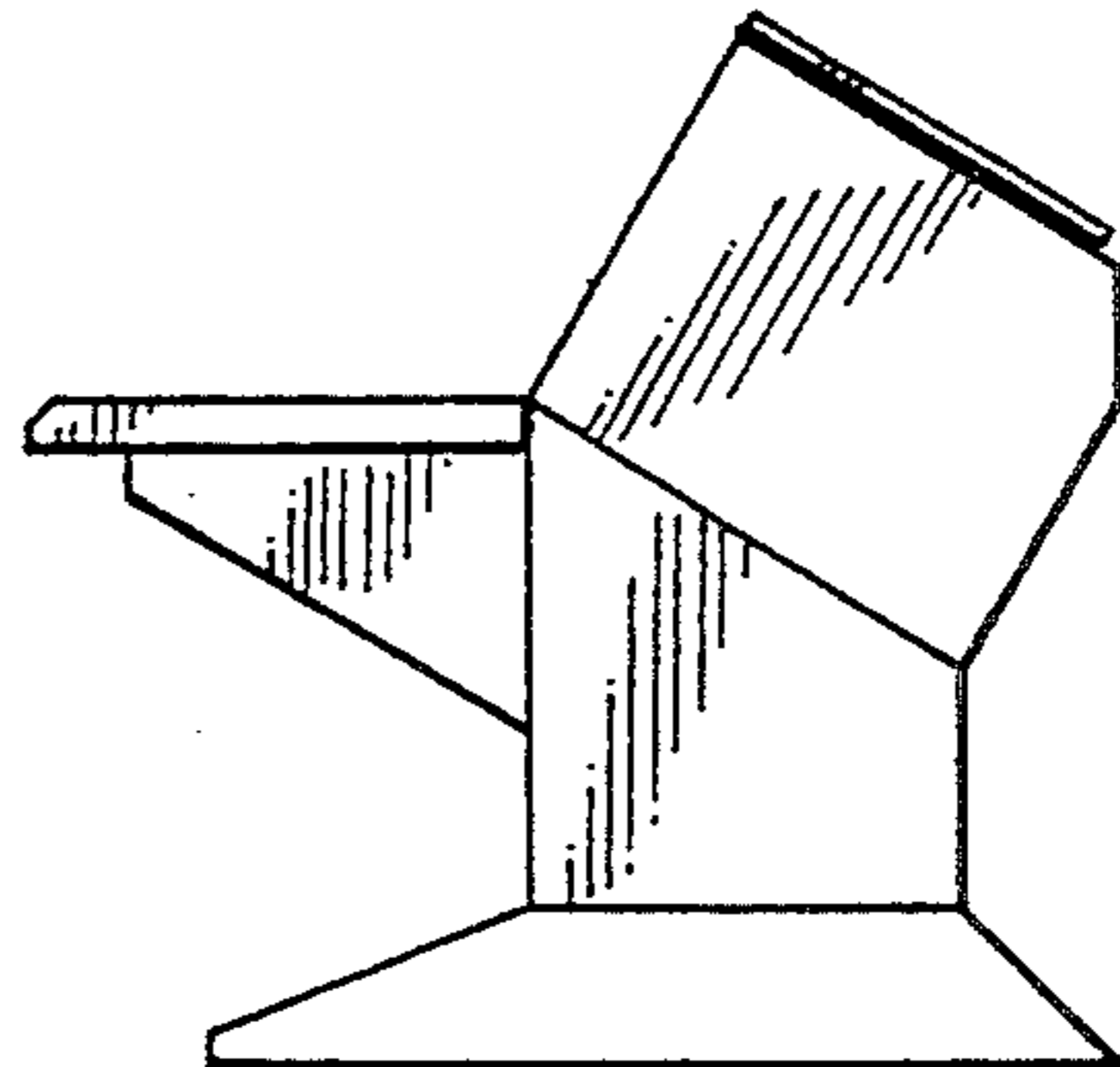


FIG 5

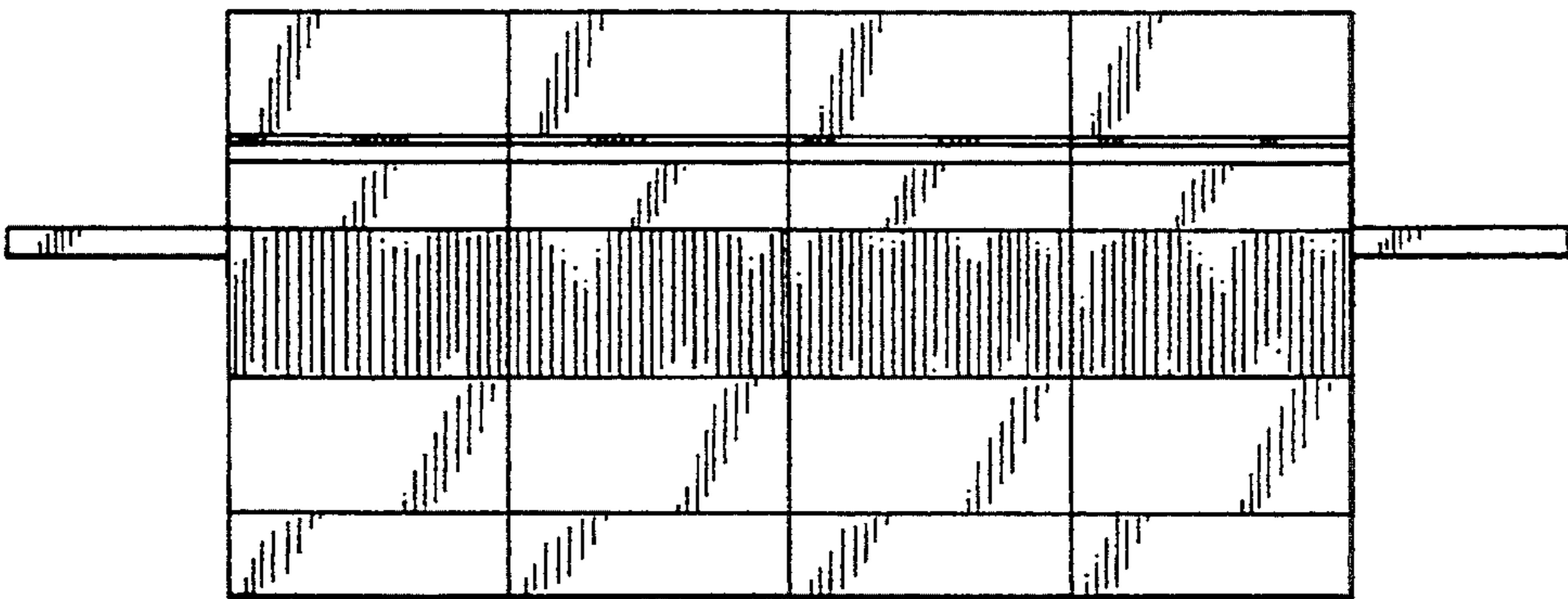


FIG 6