



US00D360877S

# United States Patent [19]

[11] Patent Number: **Des. 360,877**

**Ropponen et al.**

[45] Date of Patent: **\*\* Aug. 1, 1995**

[54] **ELECTRONICS AND INSTRUMENTATION HOUSING**

### FOREIGN PATENT DOCUMENTS

263754 4/1988 European Pat. Off. .... 361/724

[75] Inventors: **Matti Ropponen**, Espoo; **Heikki Merilainen**, Helsinki, both of Finland

*Primary Examiner*—Joel Sincavage  
*Attorney, Agent, or Firm*—Finnegan, Henderson, Farabow, Garrett & Dunner

[73] Assignee: **Fibox Oy Ab**, Tammissaari, Finland

### [57] CLAIM

[\*\*] Term: **14 Years**

The ornamental design for an electronics and instrumentation housing, as shown and described.

[21] Appl. No.: **21,913**

### DESCRIPTION

[22] Filed: **Apr. 15, 1994**

FIG. 1 is a side view of an electronics and instrumentation housing showing our new design;  
FIG. 2 is a front view thereof;  
FIG. 3 is a rear view thereof;  
FIG. 4 is a bottom view thereof;  
FIG. 5 is a top view thereof;  
FIG. 6 is a perspective rear/top view thereof;  
FIG. 7 is a perspective bottom/rear view thereof;  
FIG. 8 is perspective top/front view thereof with lock open;  
FIG. 9 is a side view of an alternate embodiment of an electronics and instrumentation housing showing our new design;  
FIG. 10 is a front view thereof;  
FIG. 11 is rear view thereof;  
FIG. 12 is bottom view thereof;  
FIG. 13 is a top view thereof;  
FIG. 14 is a perspective rear/top view thereof;  
FIG. 15 is perspective front/bottom view thereof; and,  
FIG. 16 is a perspective top/front view thereof with lock open.

### [30] Foreign Application Priority Data

Oct. 18, 1993 [FI] Finland ..... 686/93  
Oct. 18, 1993 [FI] Finland ..... 687/93

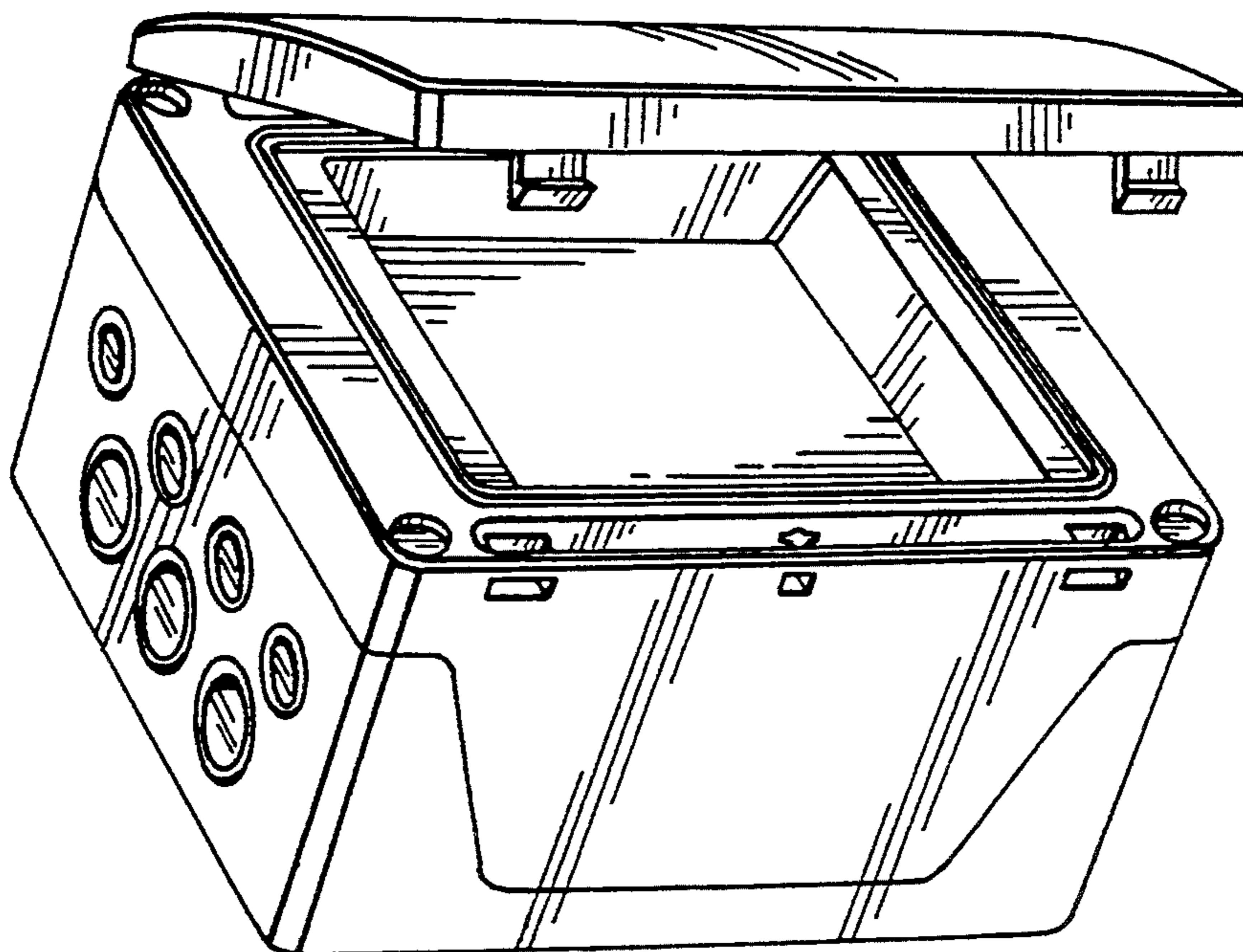
[52] U.S. Cl. .... **D13/184; D13/152**

[58] Field of Search ..... D13/152, 184; D14/240;  
174/48, 49, 65 R, 66; 379/398, 399, 413;  
361/727; 220/3.2, 3.8, 4.02, 241, 303;  
312/223.1, 223.2

### [56] References Cited

#### U.S. PATENT DOCUMENTS

3,648,878 3/1972 Mackay et al. .... 174/66 X  
3,654,663 4/1972 Algotsson ..... 220/3.8 X  
4,487,328 12/1984 Wilcox et al. .... 220/241  
4,850,014 7/1989 Gillis et al. .... 379/399  
4,853,960 8/1989 Smith ..... 379/399 X  
5,357,565 10/1994 Butler, III et al. .... 379/399 X



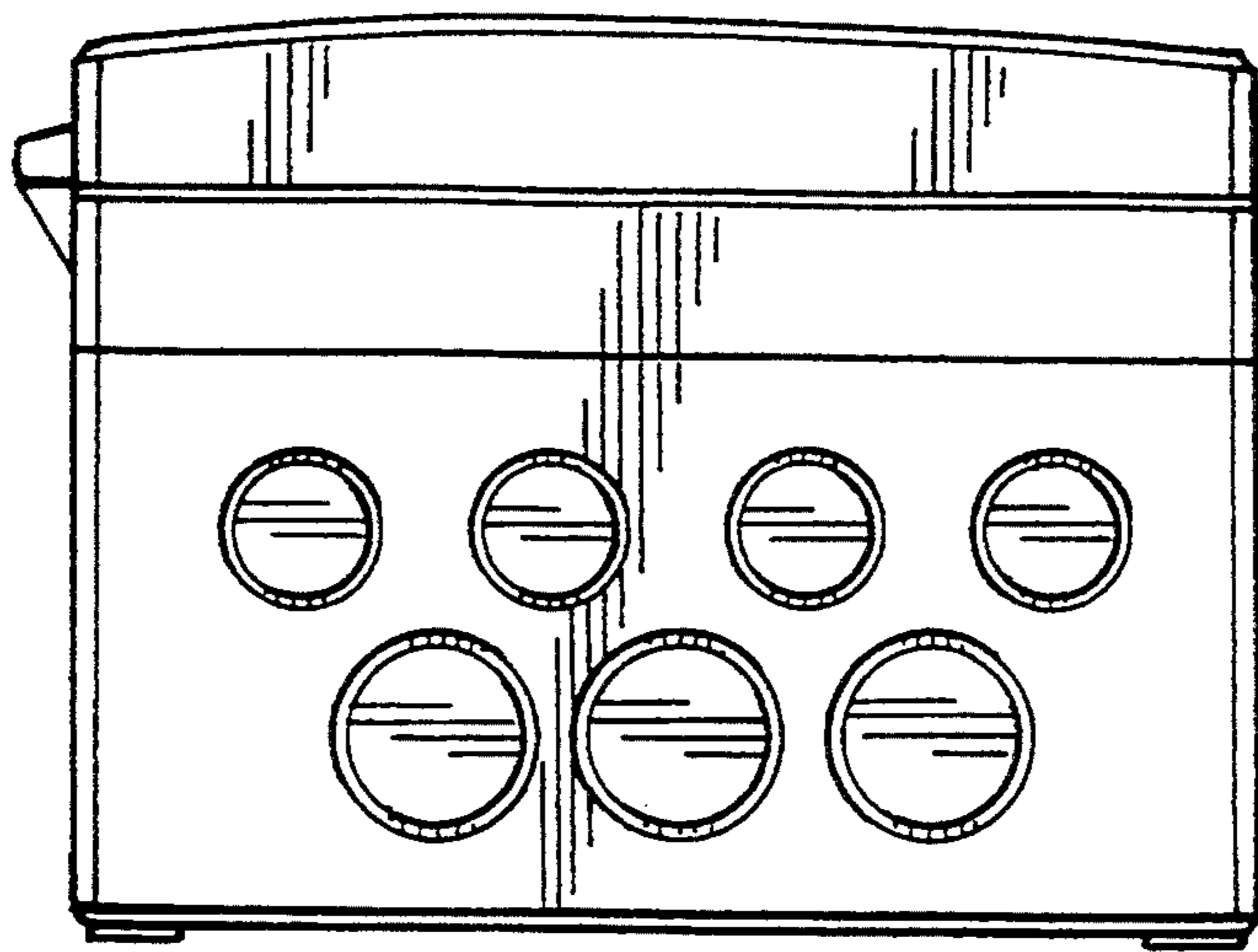


FIG. 1

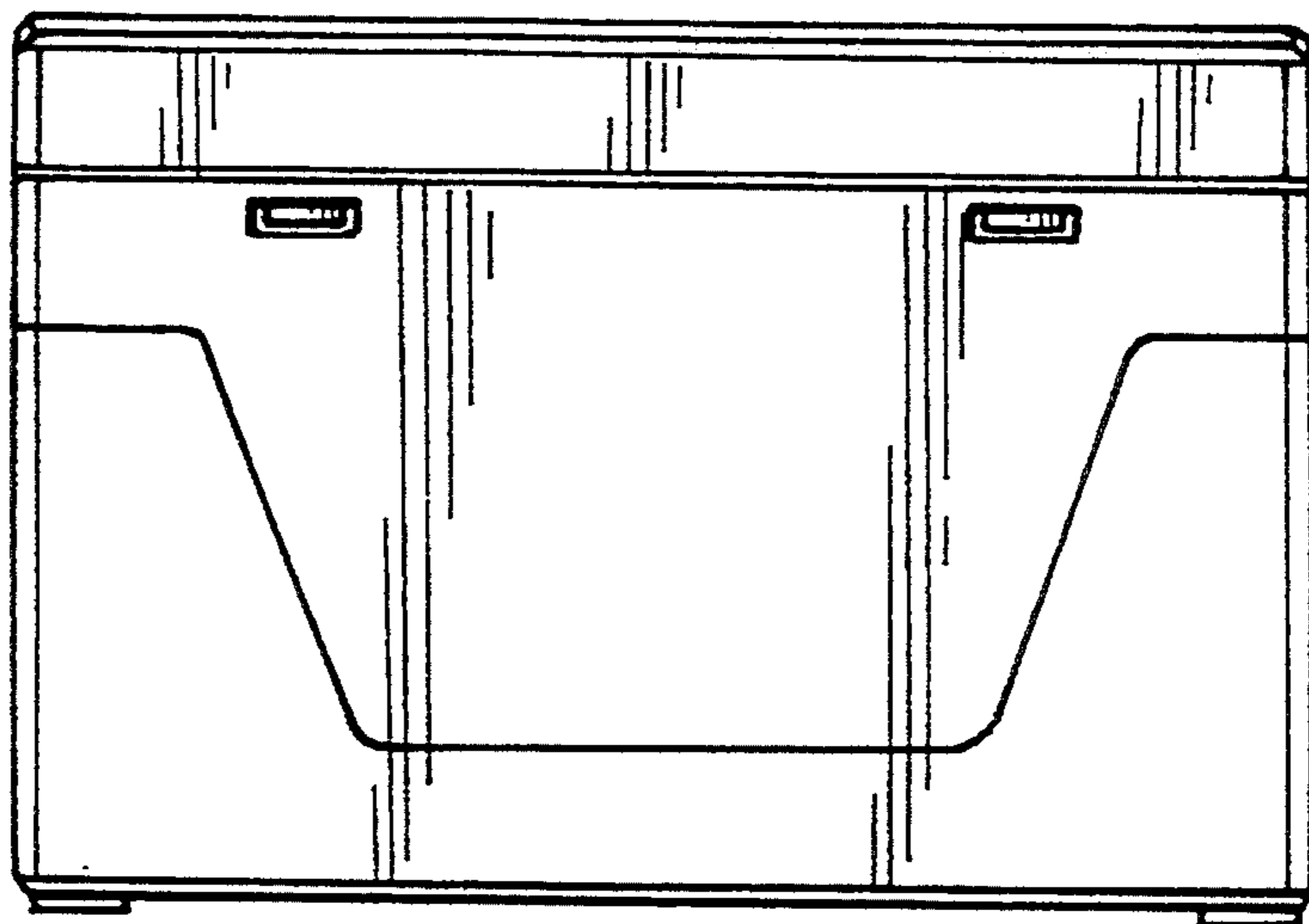


FIG. 2

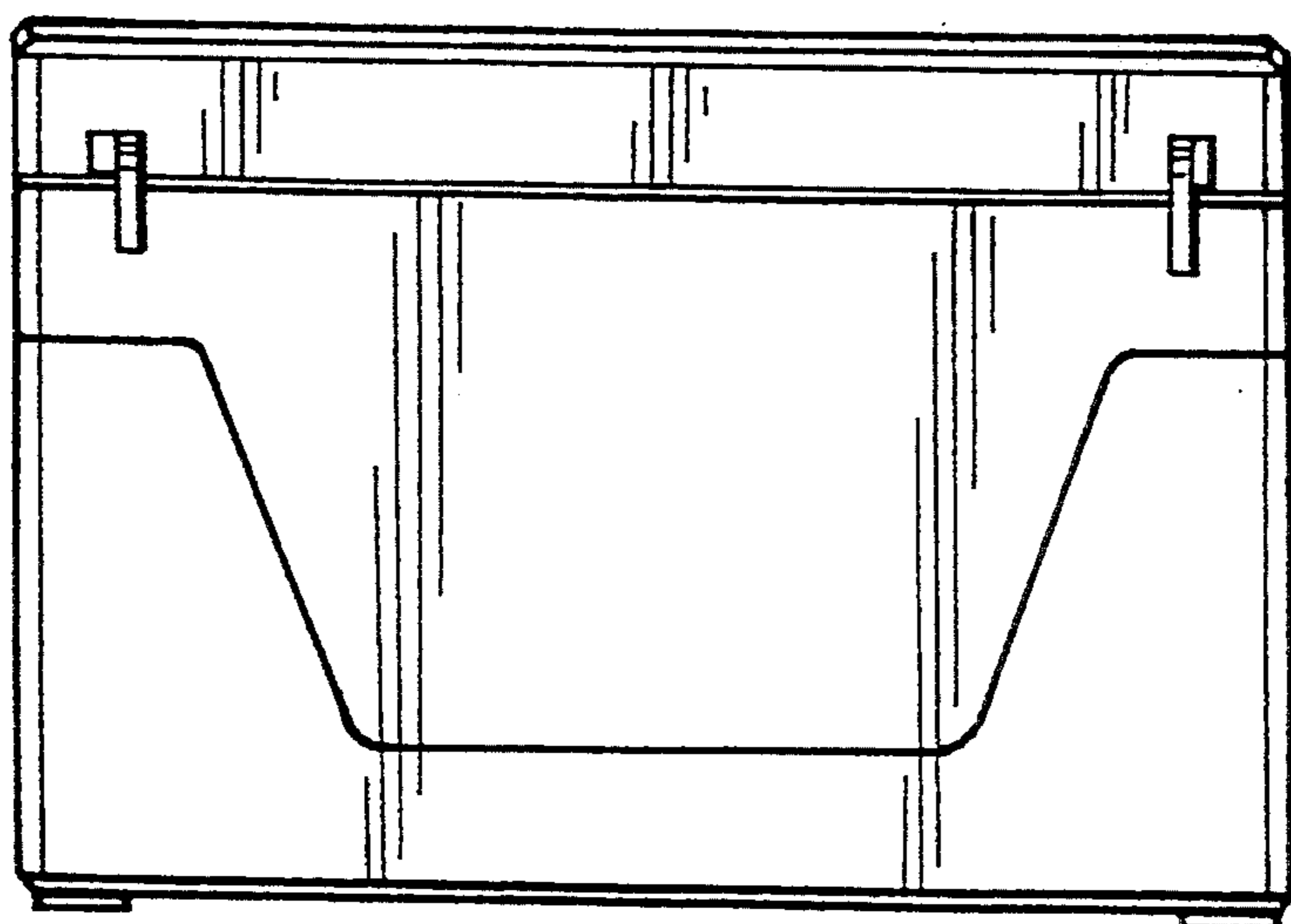


FIG. 3

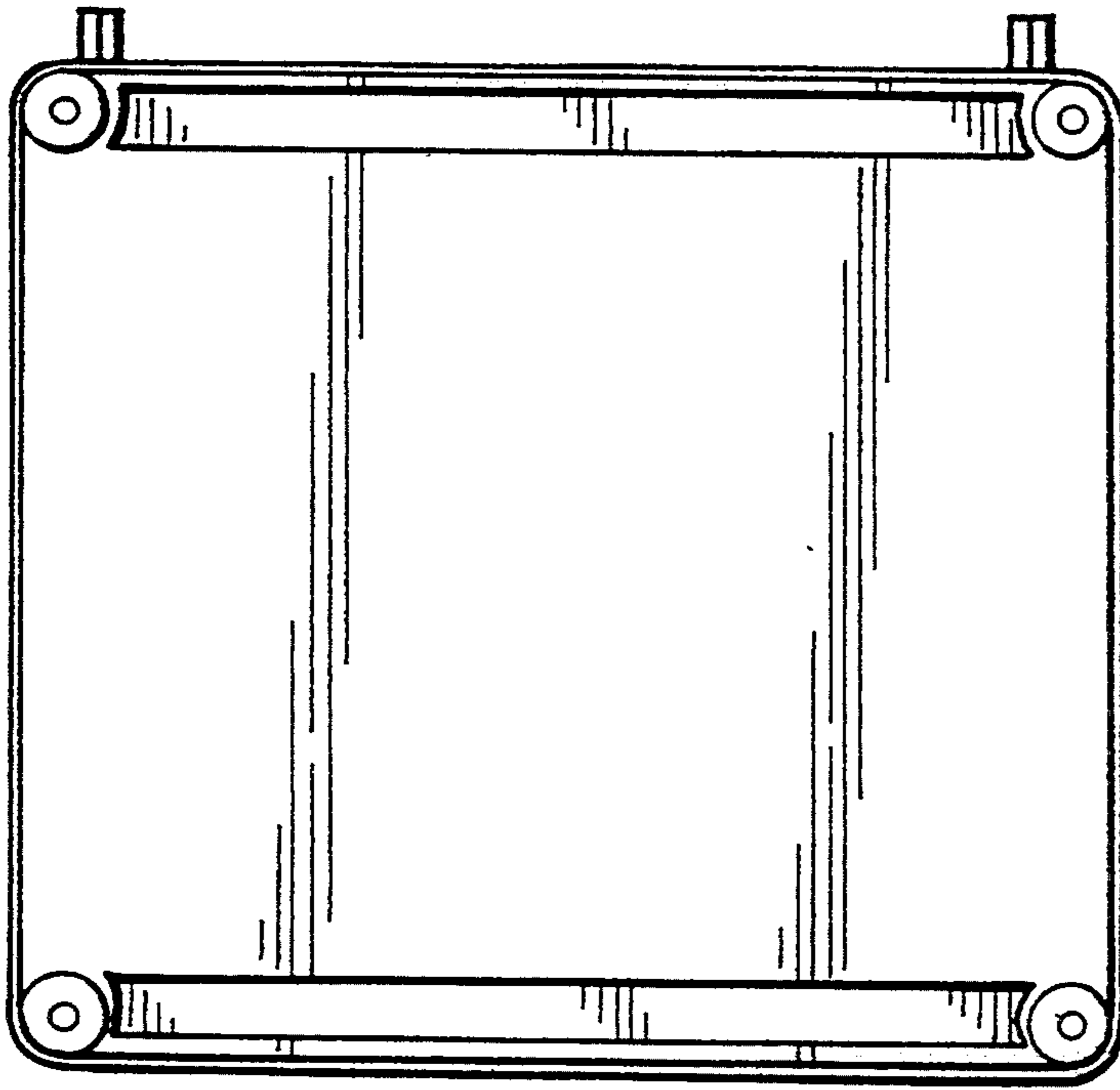


FIG. 4

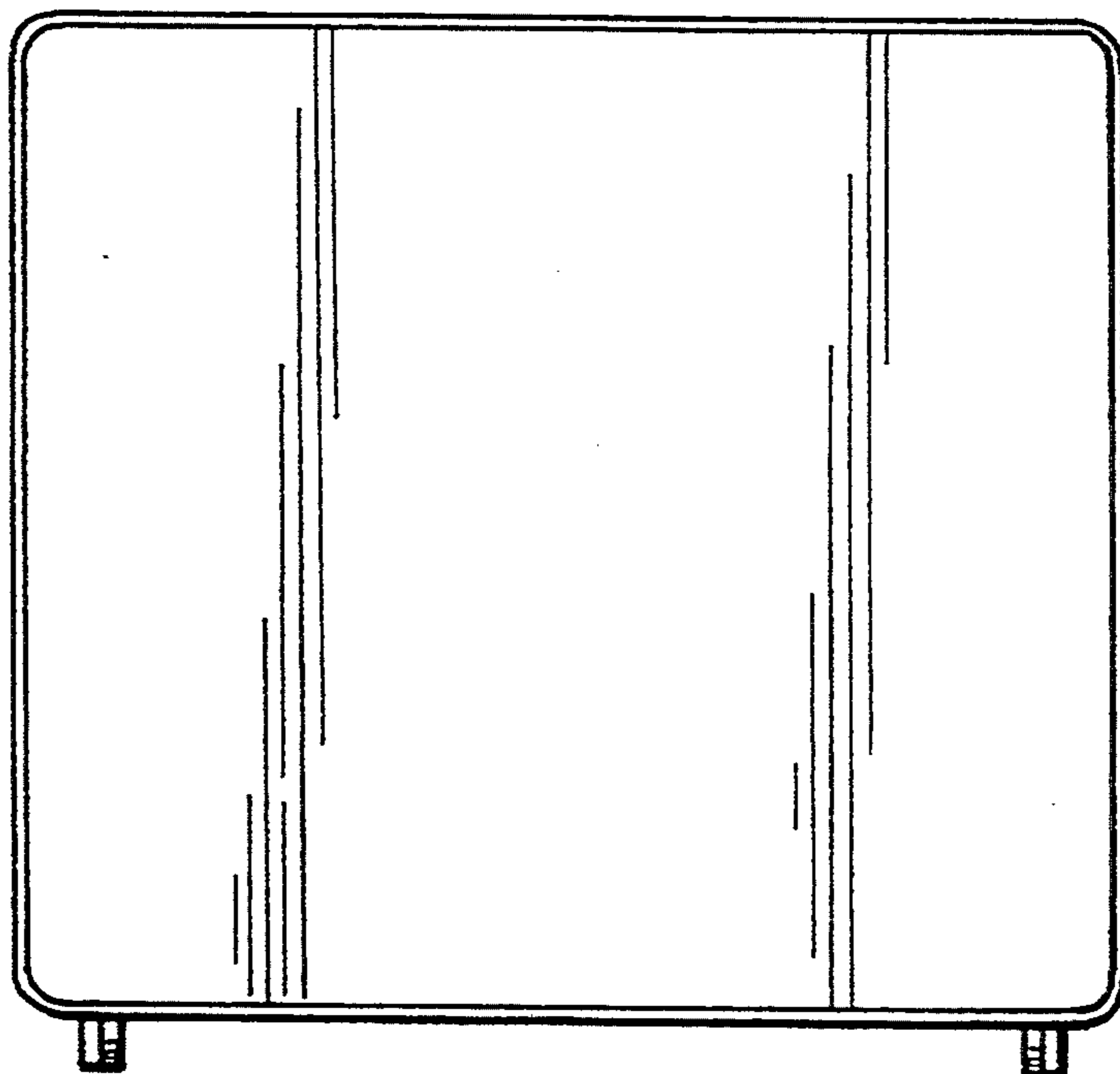


FIG. 5



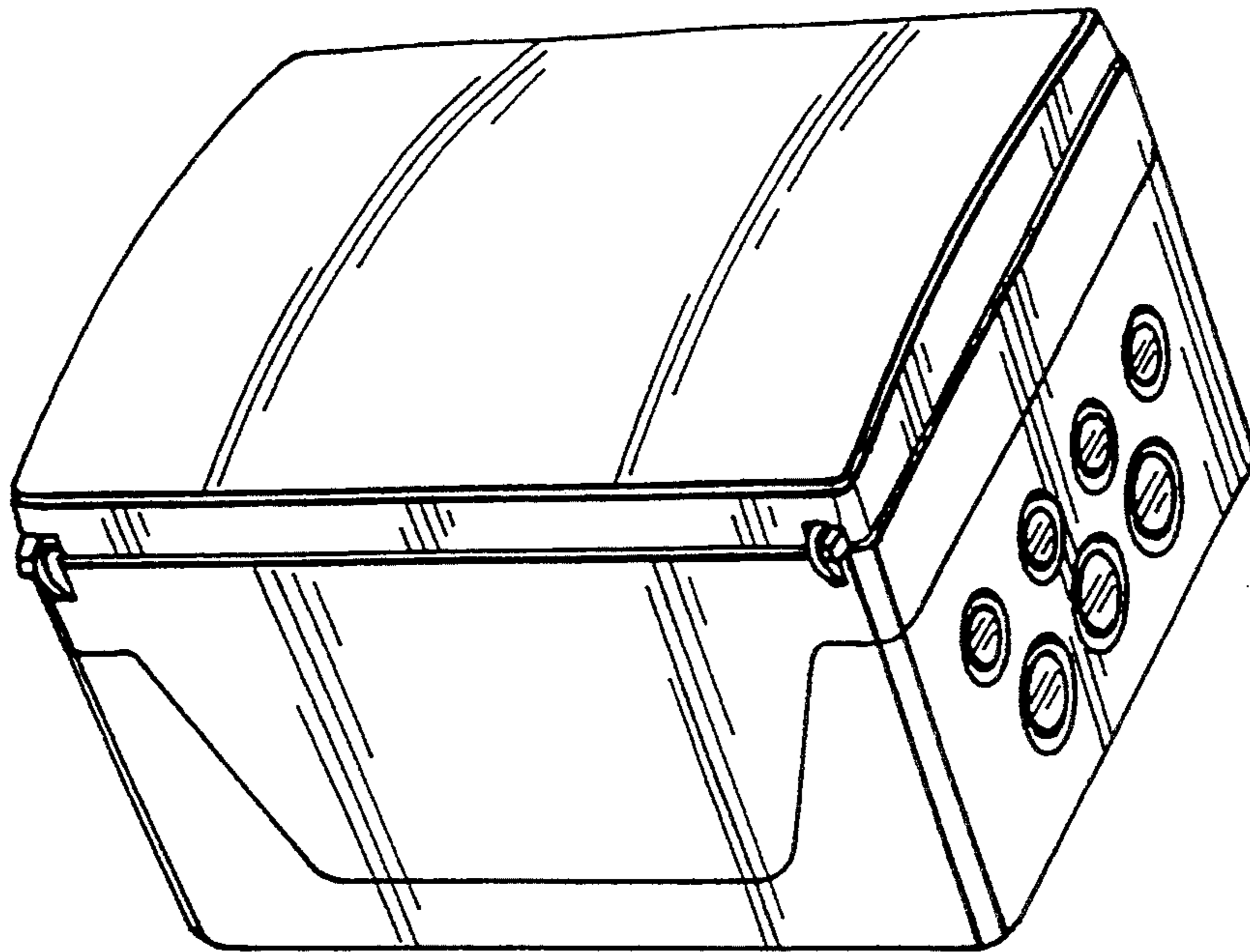


FIG. 6

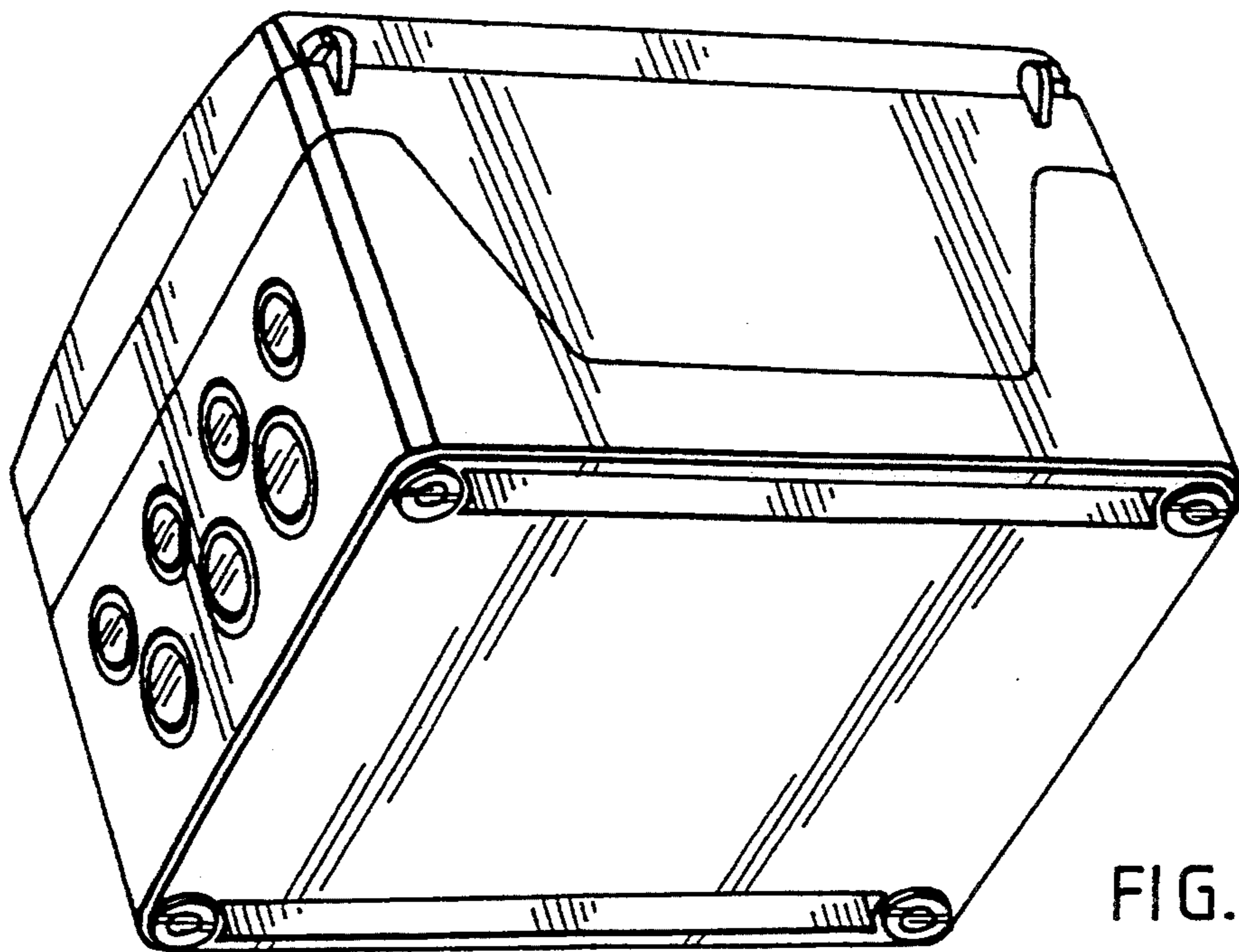


FIG. 7

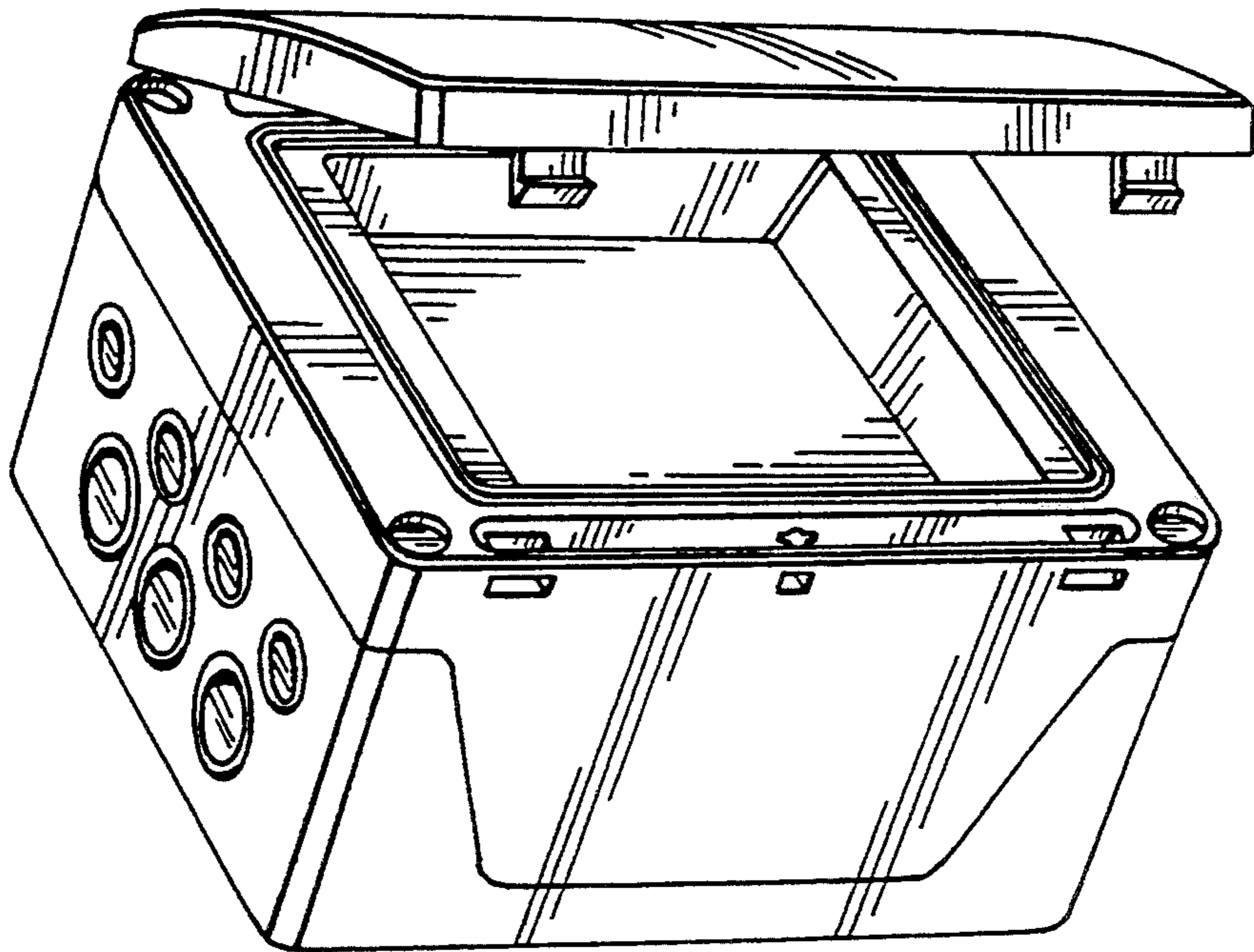


FIG. 8

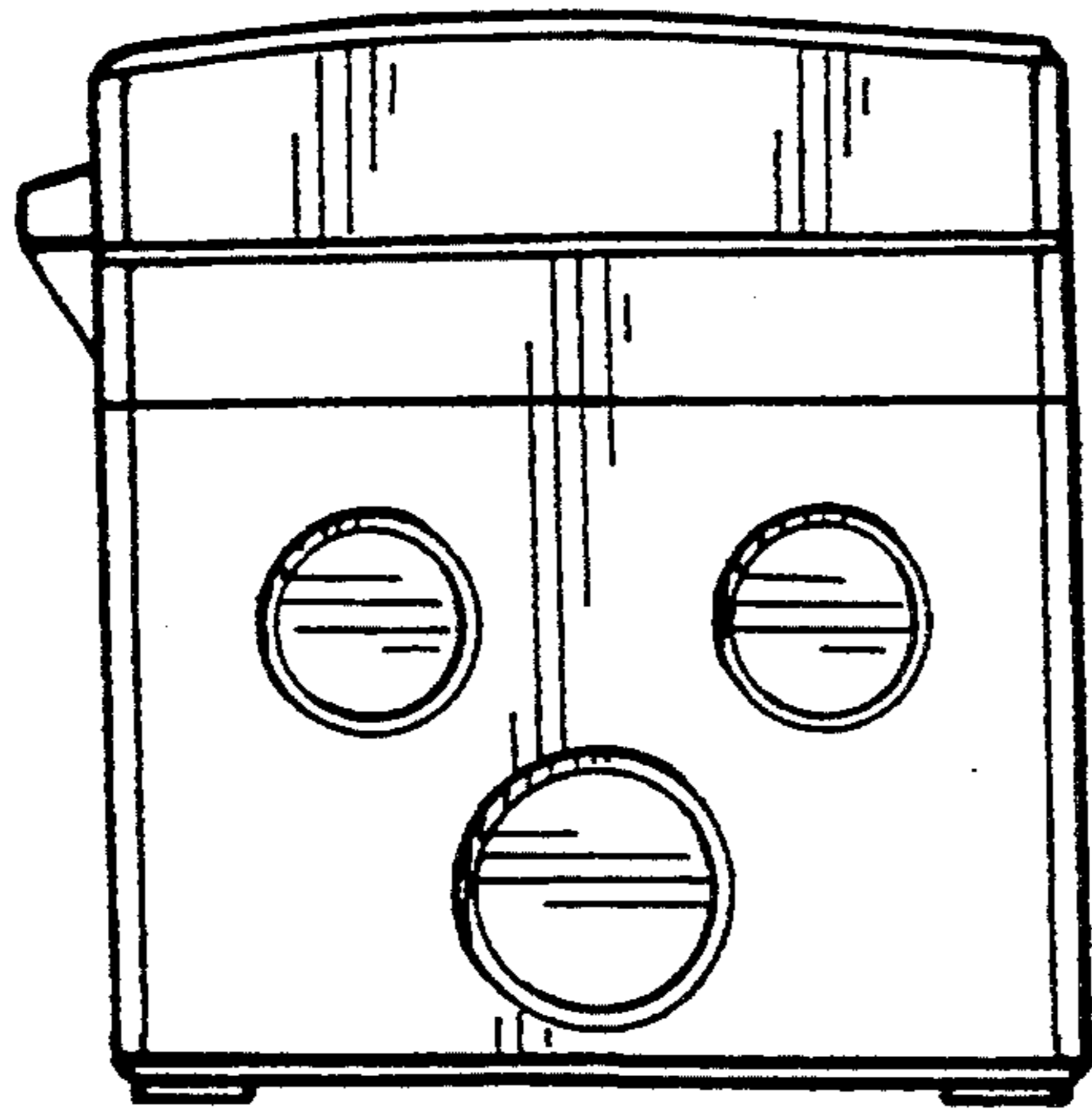


FIG. 9

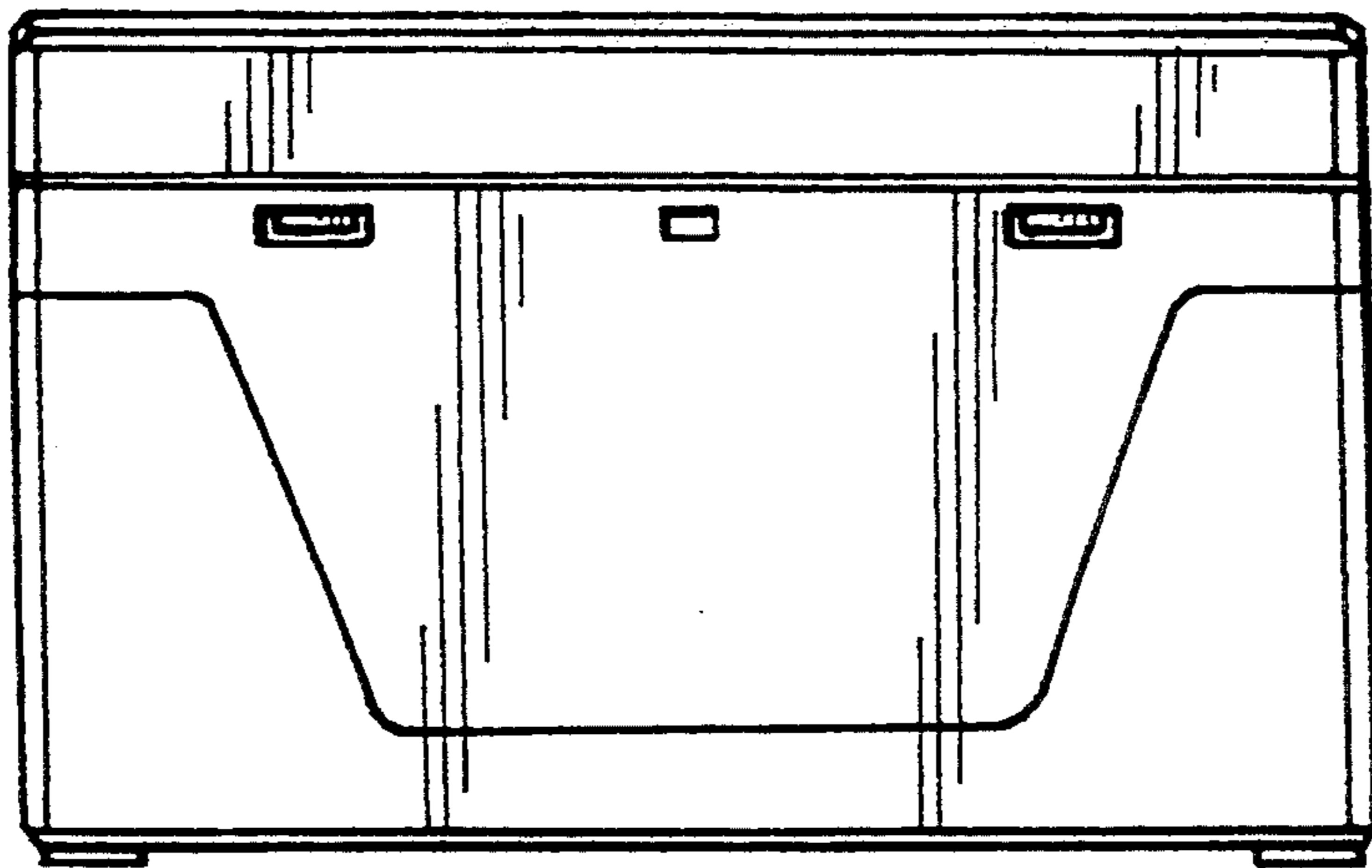


FIG. 10

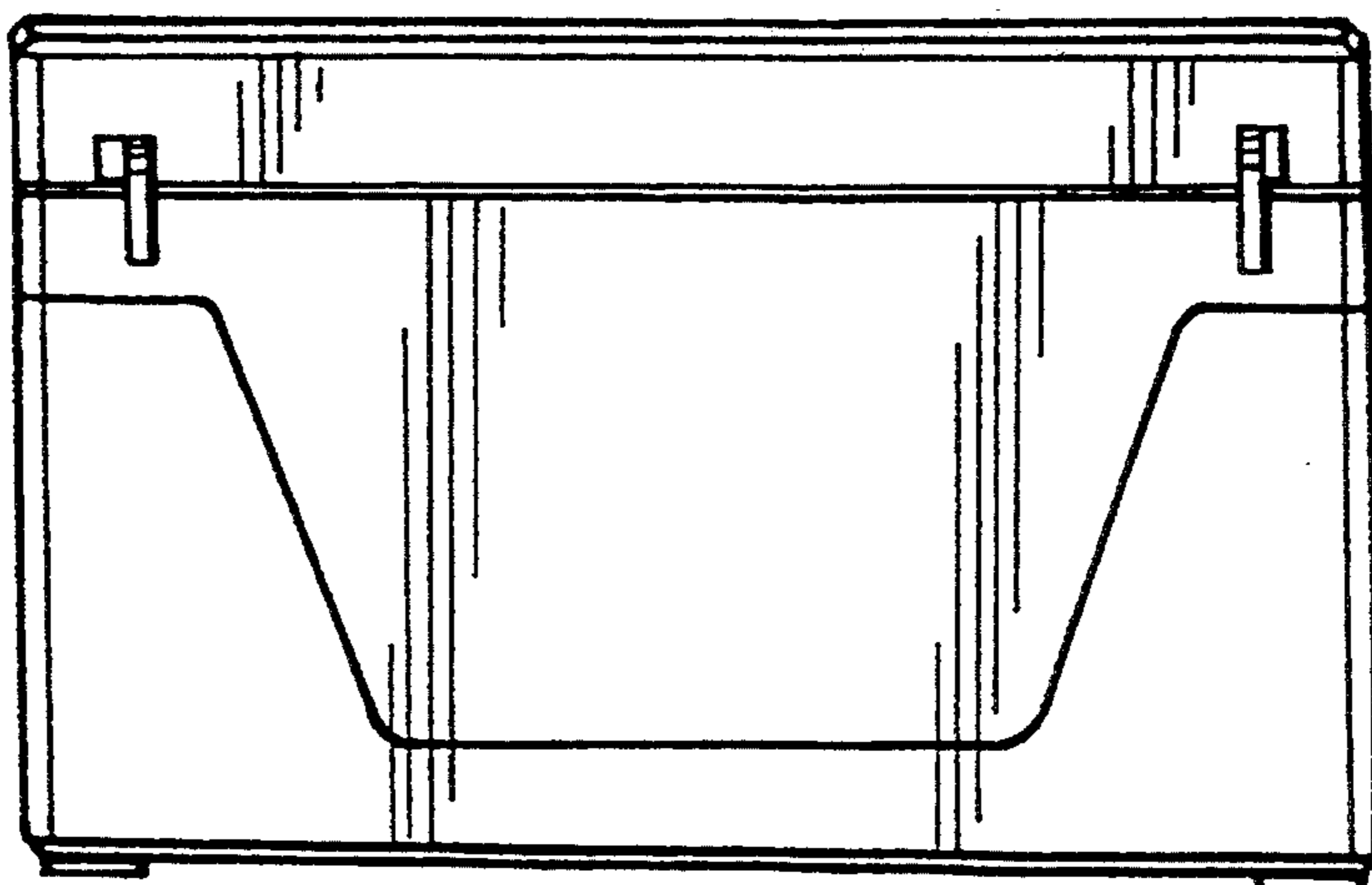


FIG. 11

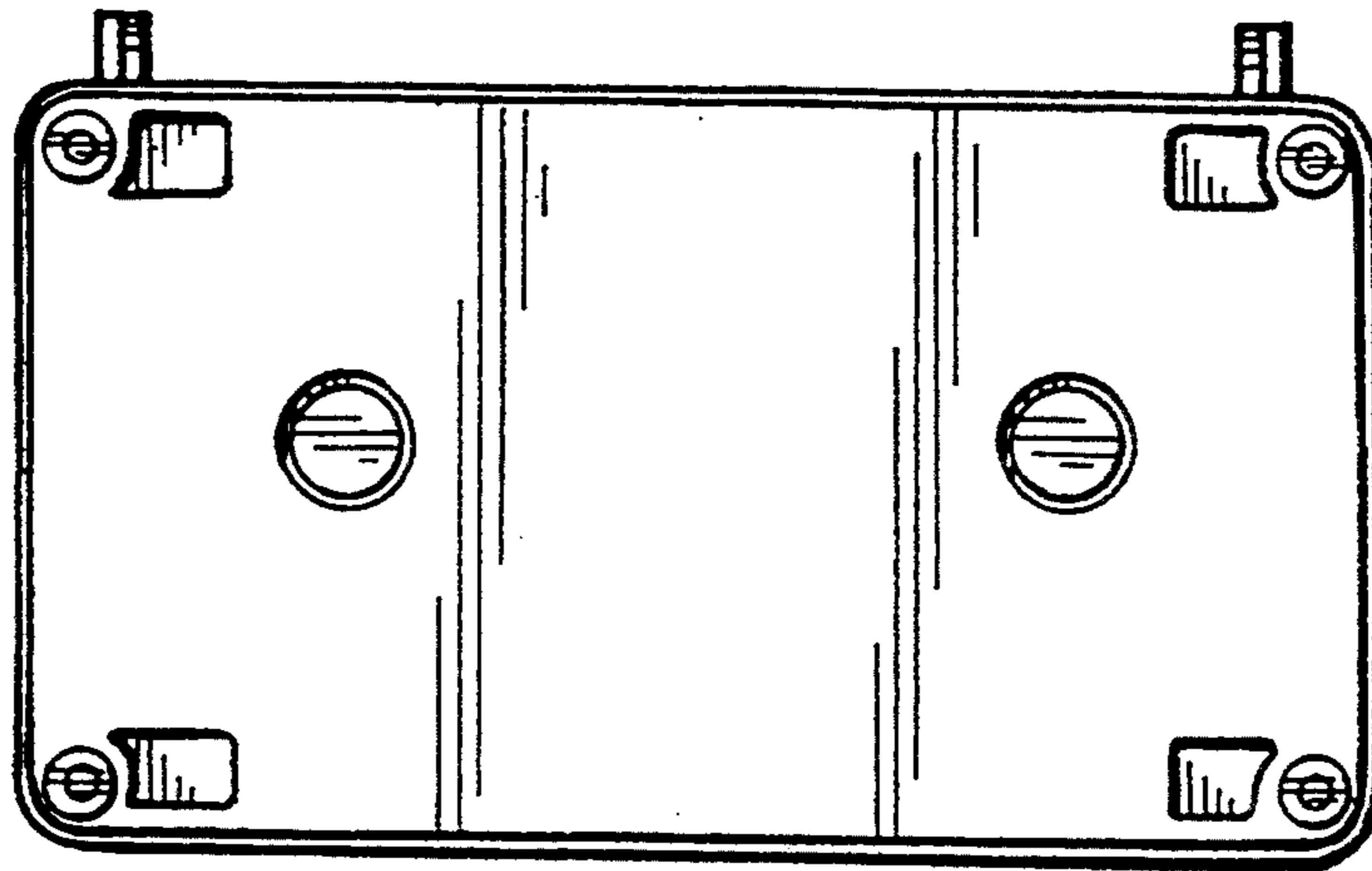
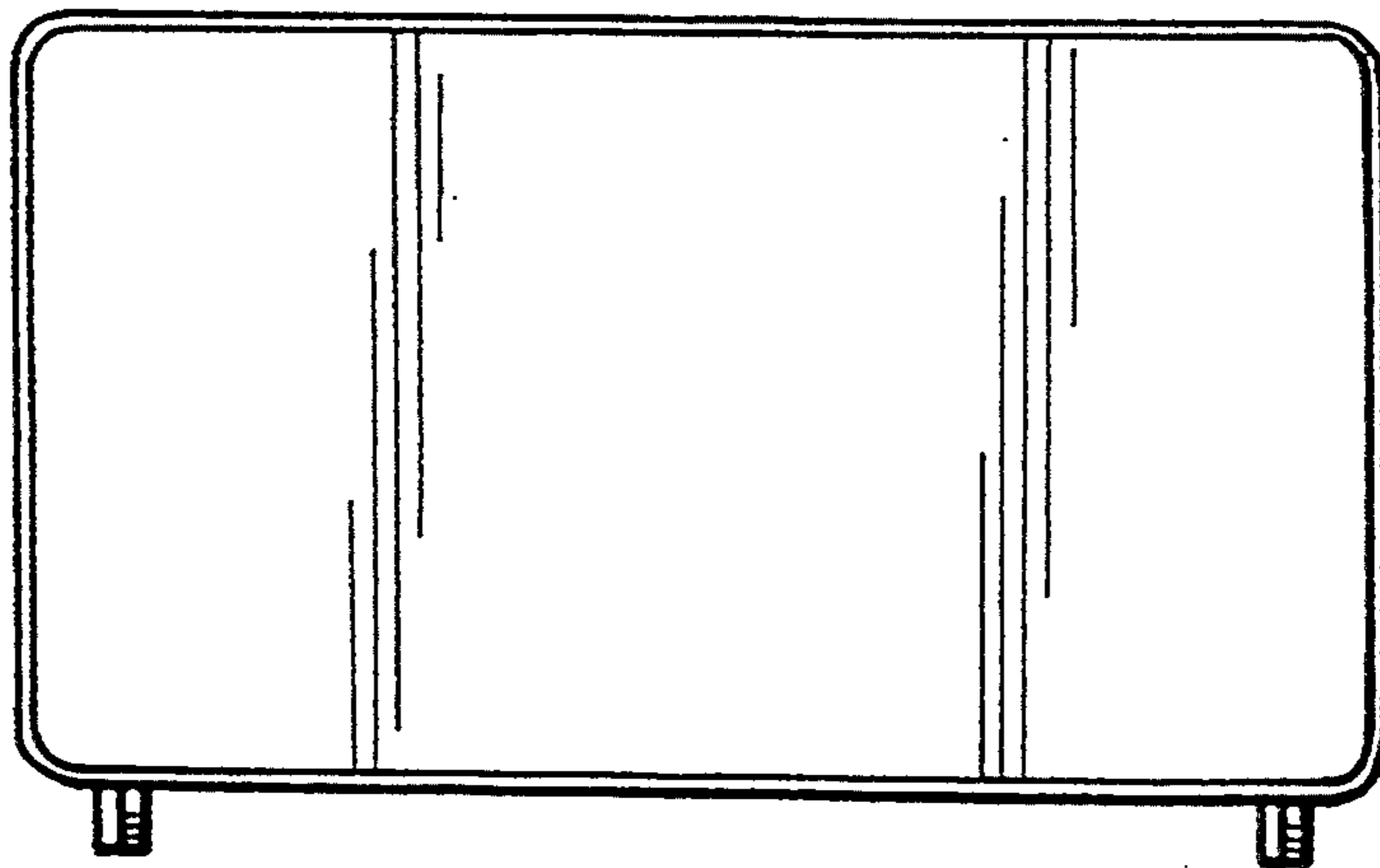


FIG. 12

FIG. 13



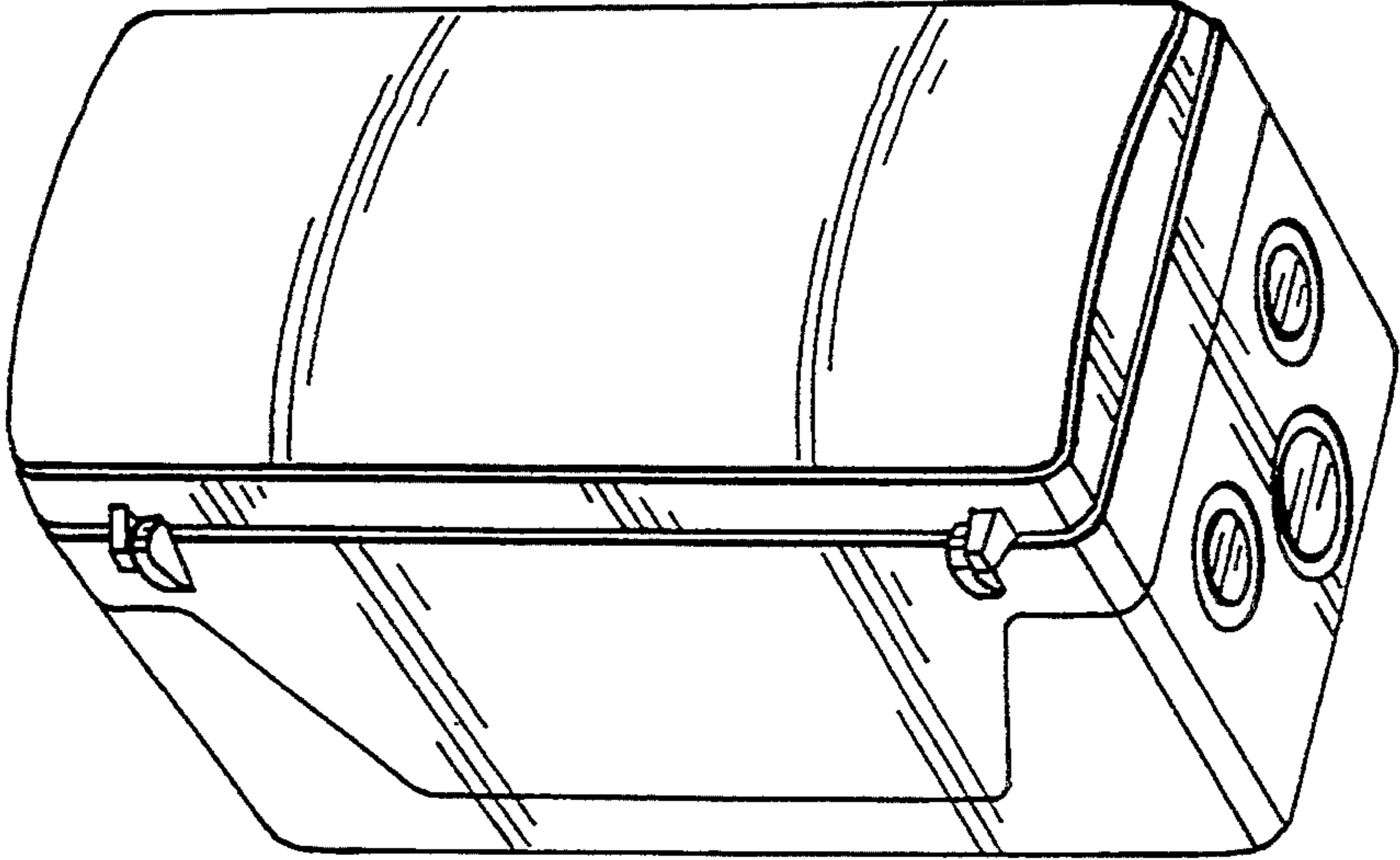


FIG. 14

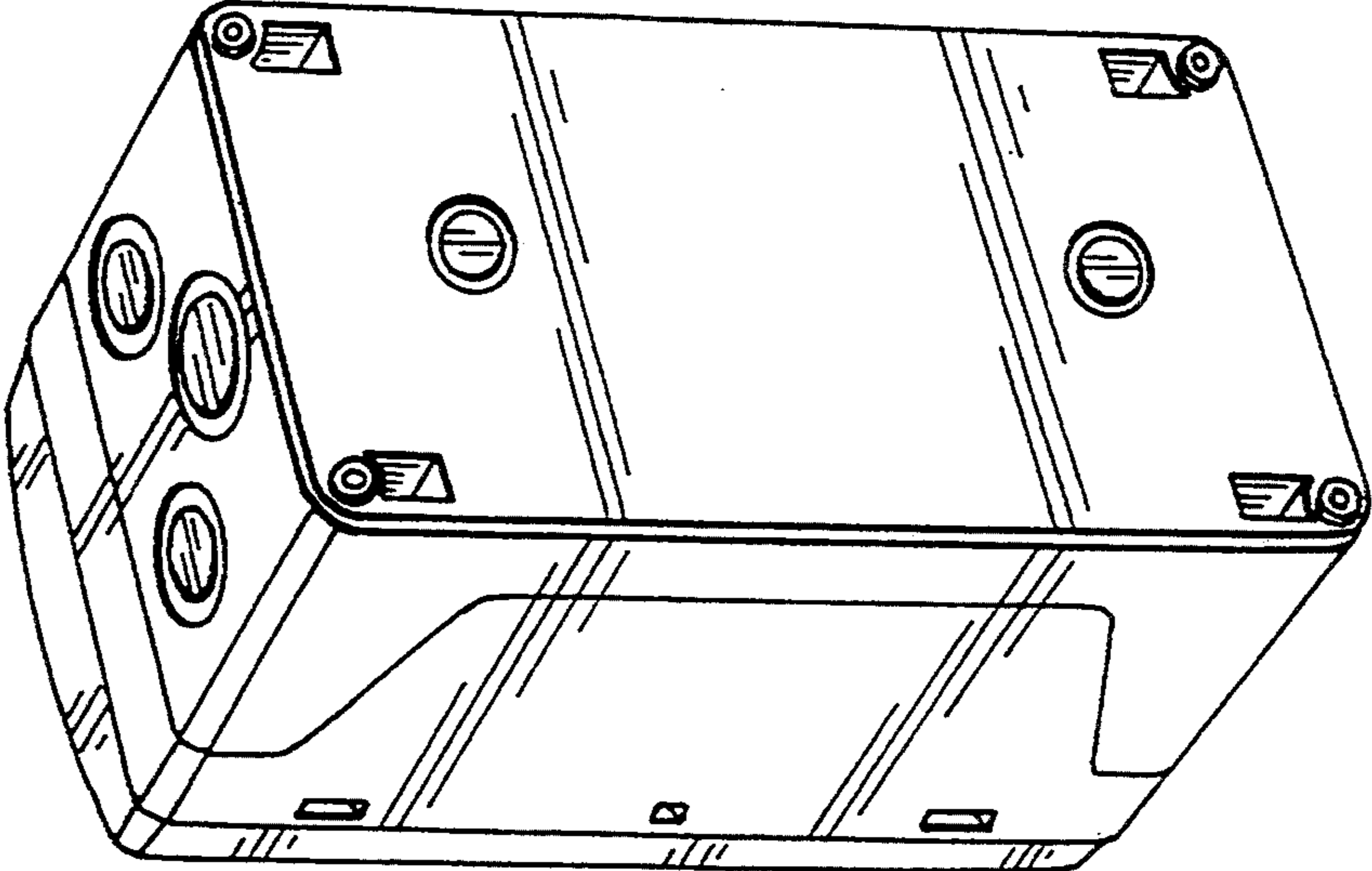


FIG. 15



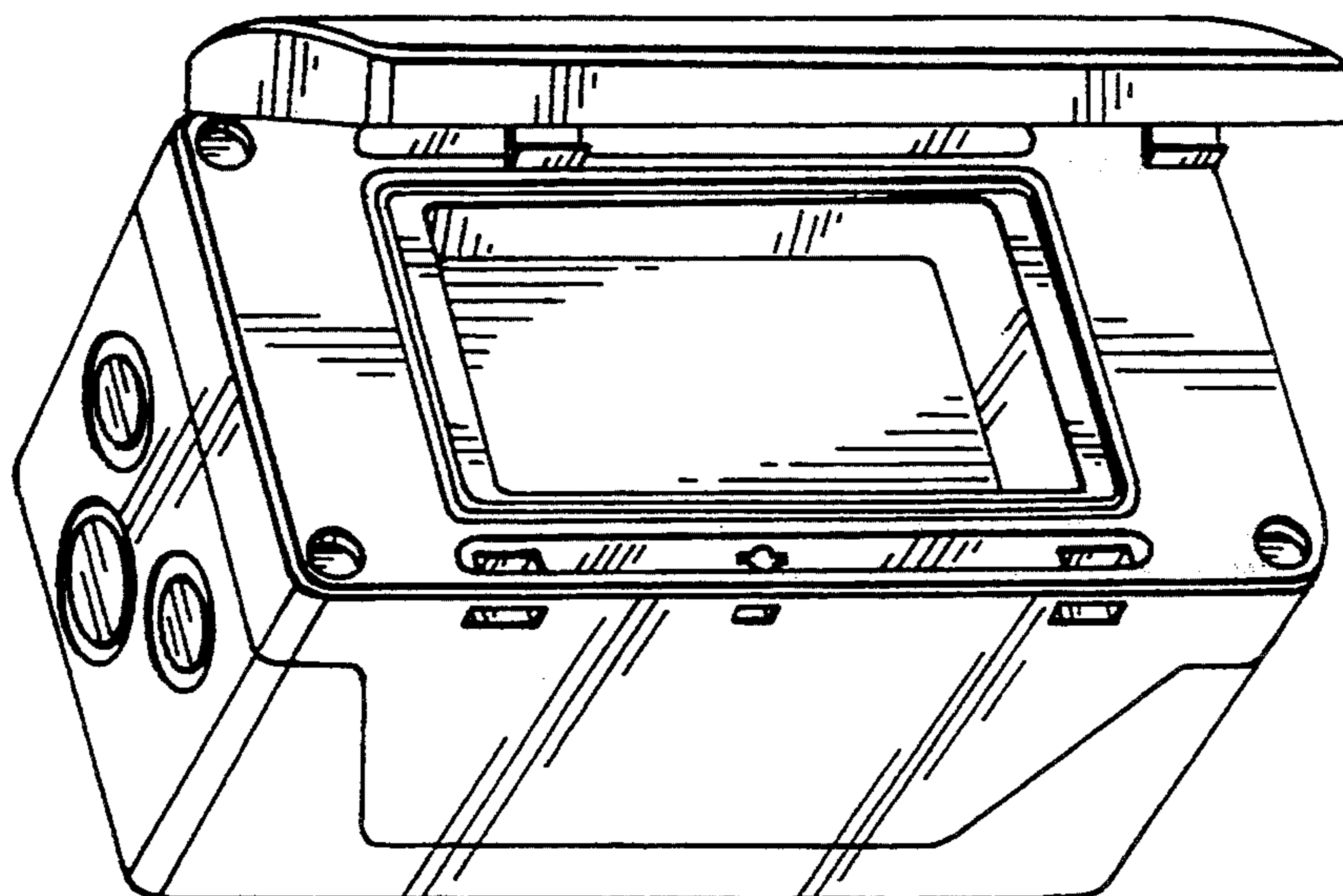


FIG. 16