



US00D360873S

United States Patent [19]

[11] Patent Number: **Des. 360,873**

Starec et al.

[45] Date of Patent: **** Aug. 1, 1995**

[54] **MULTI-SOCKET ELECTRICAL CONNECTOR**

[75] Inventors: **Rado Starec**, Tullamarine; **Antonino Schiavello**, Templestone; **James G. Cowhey**, Bulleen, all of Australia

[73] Assignee: **Light on Pty Ltd**, Tullamarine, Australia

[**] Term: **14 Years**

[21] Appl. No.: **15,440**

[22] Filed: **Nov. 17, 1993**

[52] U.S. Cl. **D13/143**

[58] Field of Search D13/137, 139, 141, 142, D13/143; 439/94, 106, 107, 110, 121, 122, 373, 532, 535, 639, 650, 655

[56] **References Cited**

U.S. PATENT DOCUMENTS

1,538,157	5/1925	Benjamin	439/650	X
1,889,695	11/1932	Petersen	439/650	
2,088,845	8/1937	De Mask	D13/137	X
2,696,607	12/1954	Witkin	D13/142	X
4,514,715	4/1985	Chen	D13/137	X
5,015,203	5/1991	Furrow	439/535	

FOREIGN PATENT DOCUMENTS

403252073 11/1991 Japan 439/110

Primary Examiner—Joel Sincavage
Attorney, Agent, or Firm—Chilton, Alix & Van Kirk

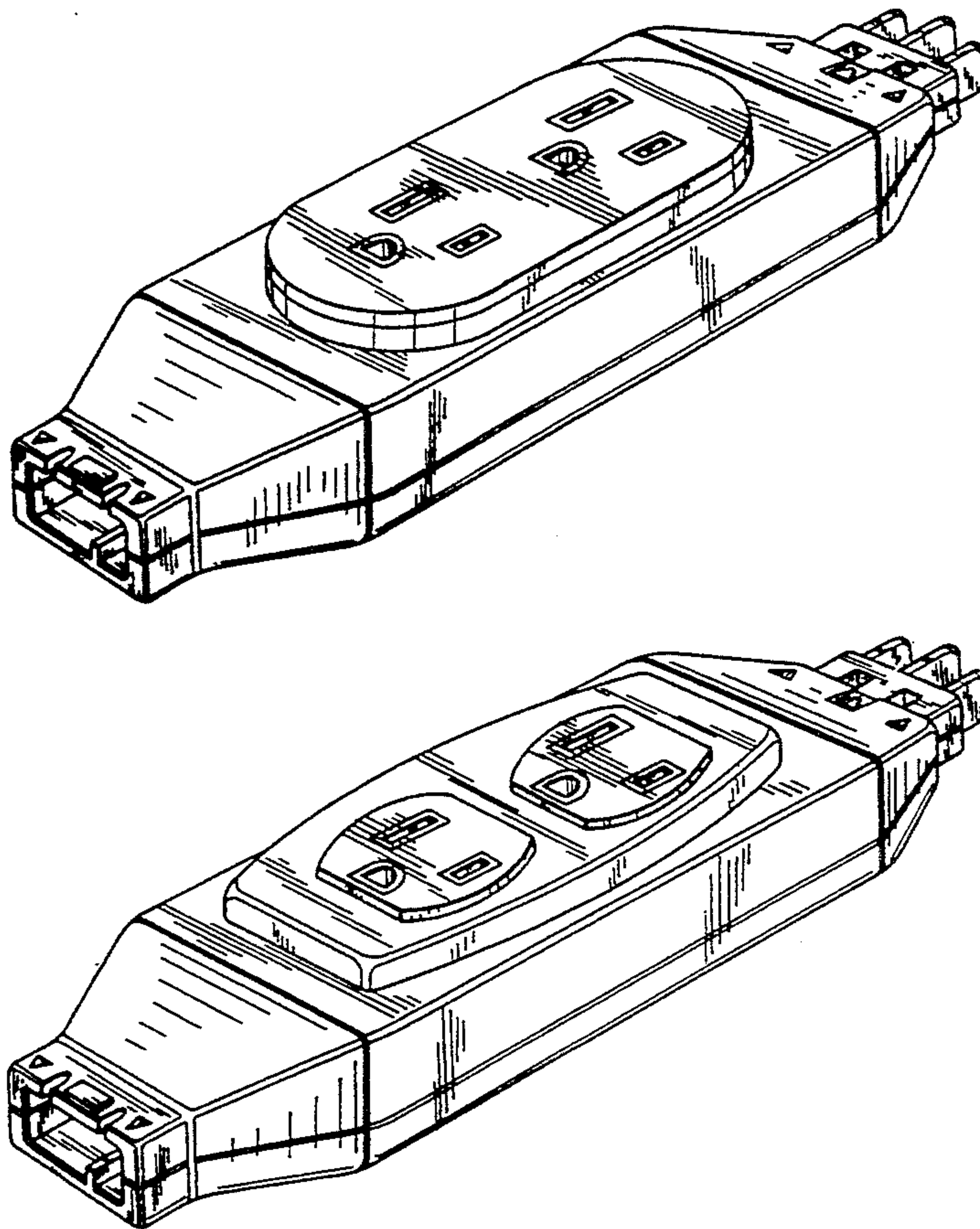
[57] **CLAIM**

The ornamental design for a multi-socket electrical connector, as shown and described.

DESCRIPTION

FIG. 1 is a perspective view from above of a first embodiment of the invention;
 FIG. 2 is a top plan view of the connector of FIG. 1;
 FIG. 3 is a perspective view of a second embodiment of the invention;
 FIG. 4 is a top plan view of the connector of FIG. 3;
 FIG. 5 is an end view of the connector of FIG. 1;
 FIG. 6 is an opposite end view of the connector of FIG. 1;
 FIG. 7 is a side view of the connector of FIG. 1;
 FIG. 8 is a bottom perspective view of the connector of FIG. 1; and,
 FIG. 9 is an underneath plan view of the connectors of FIGS. 1 and 3.

The side and end views of the second embodiment are the same as those of the first except for the appearance of the top surface.



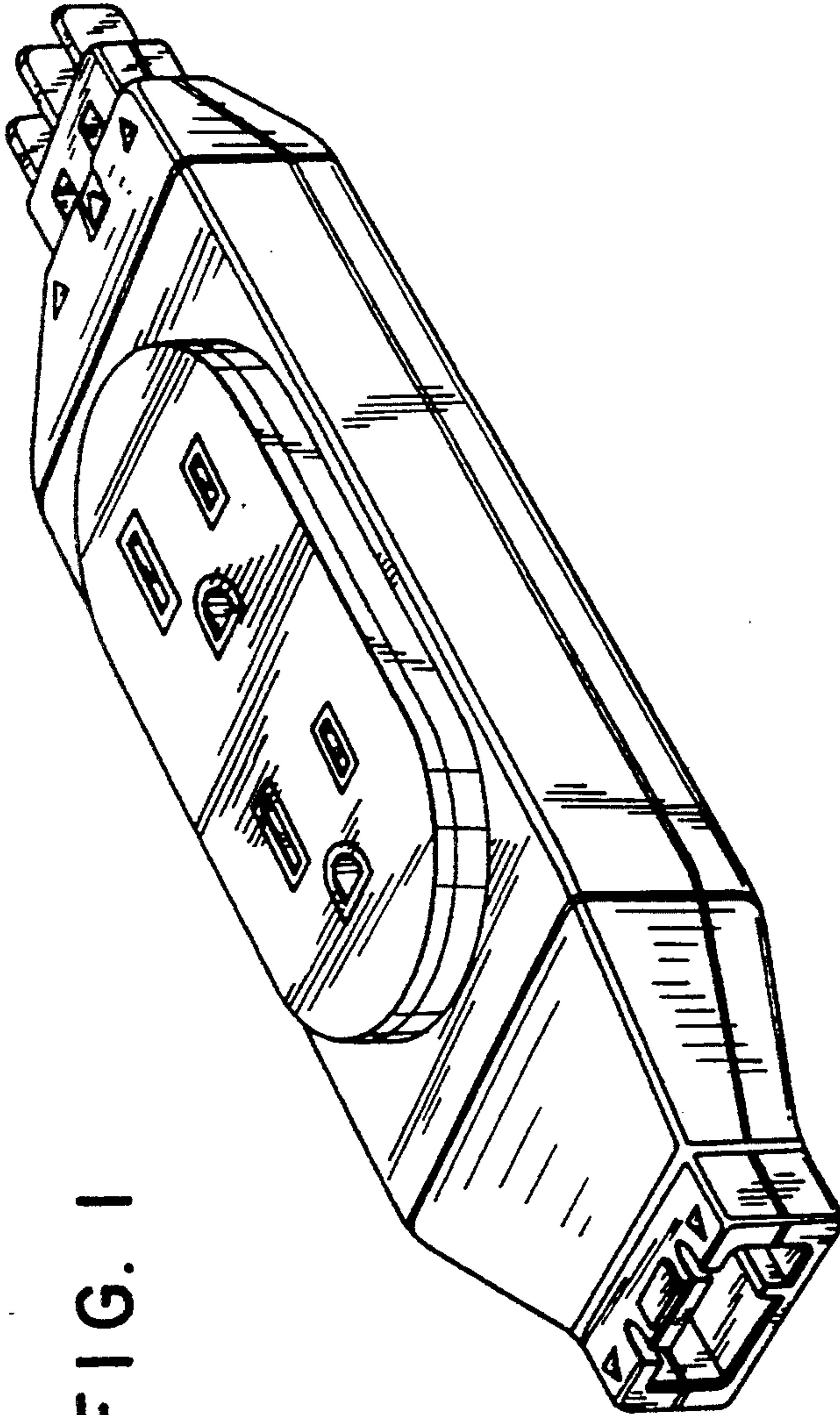


FIG. 1

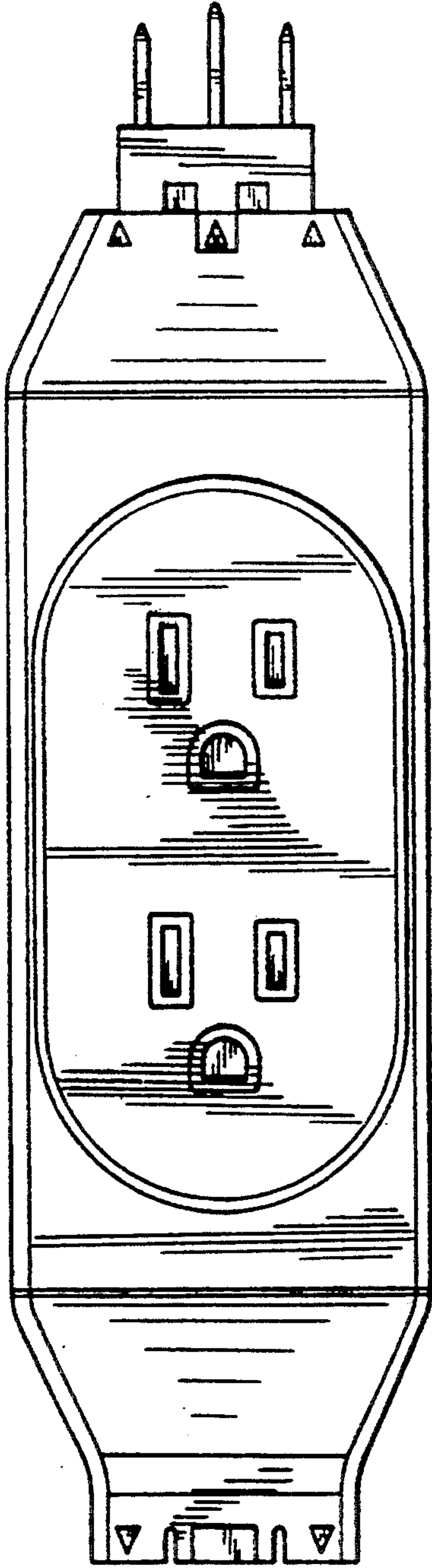


FIG. 2

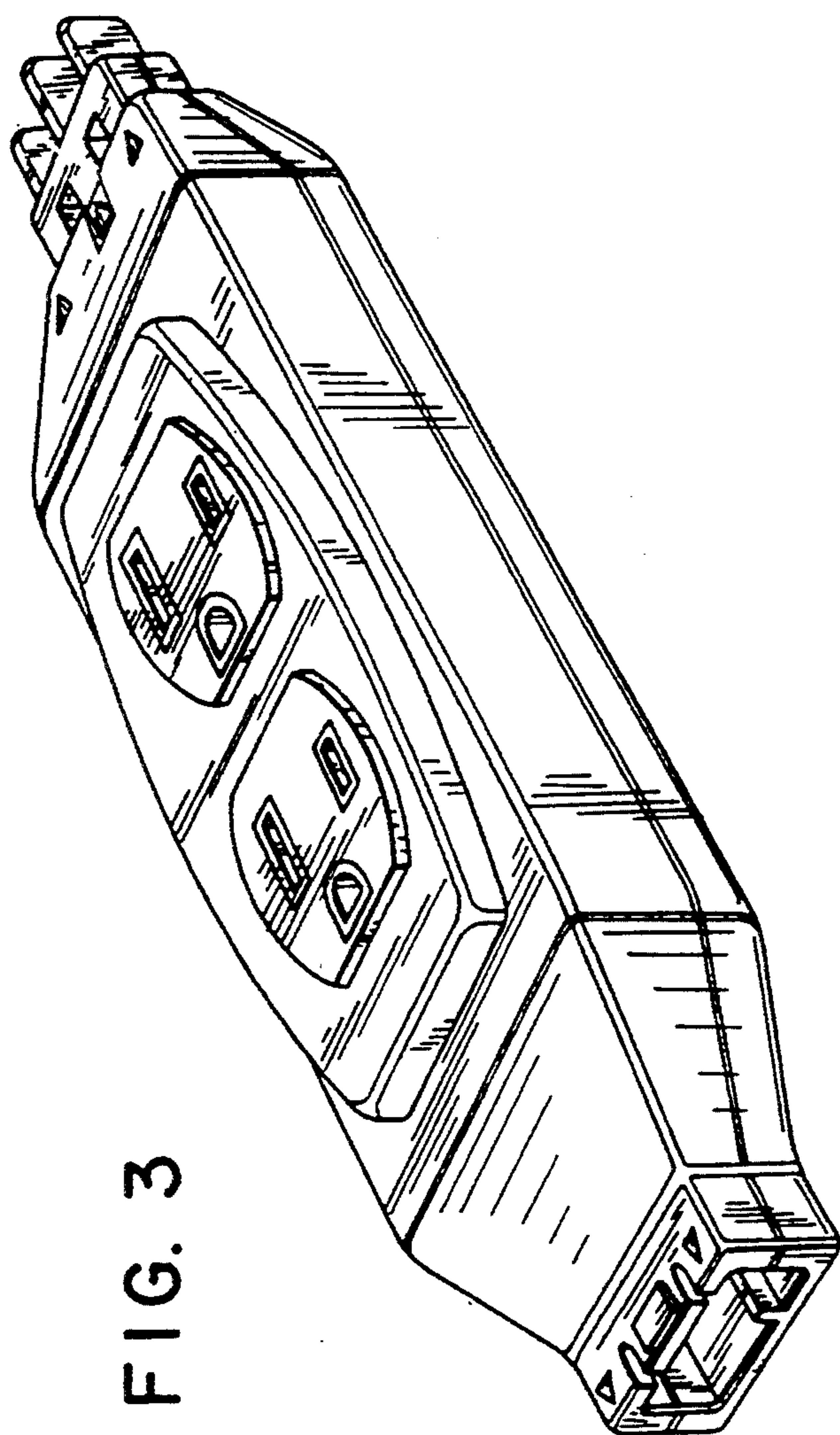


FIG. 3

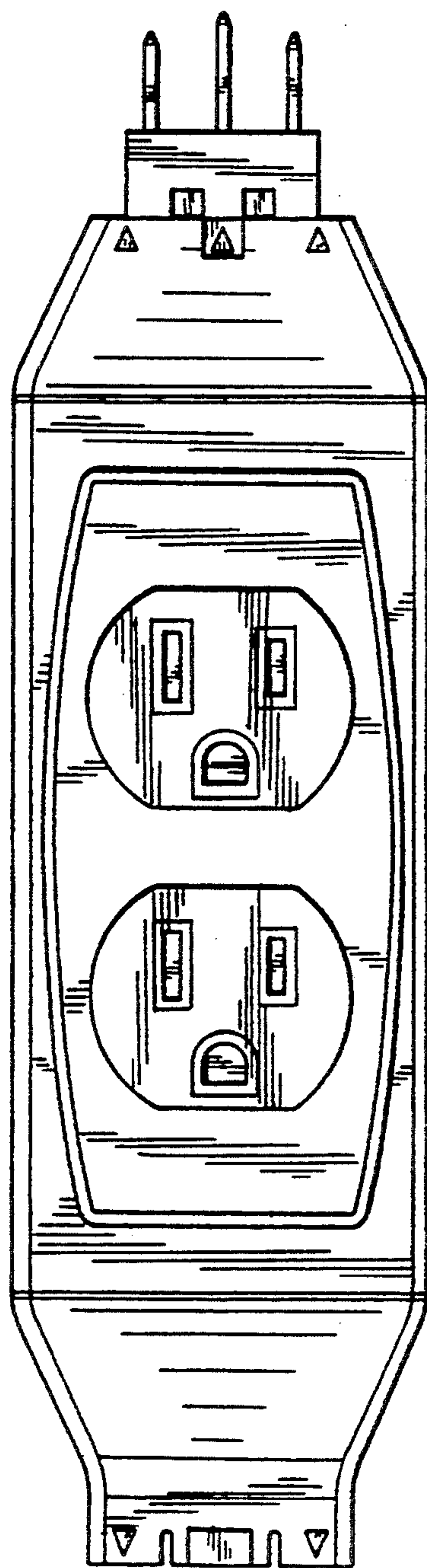


FIG. 4

FIG. 5

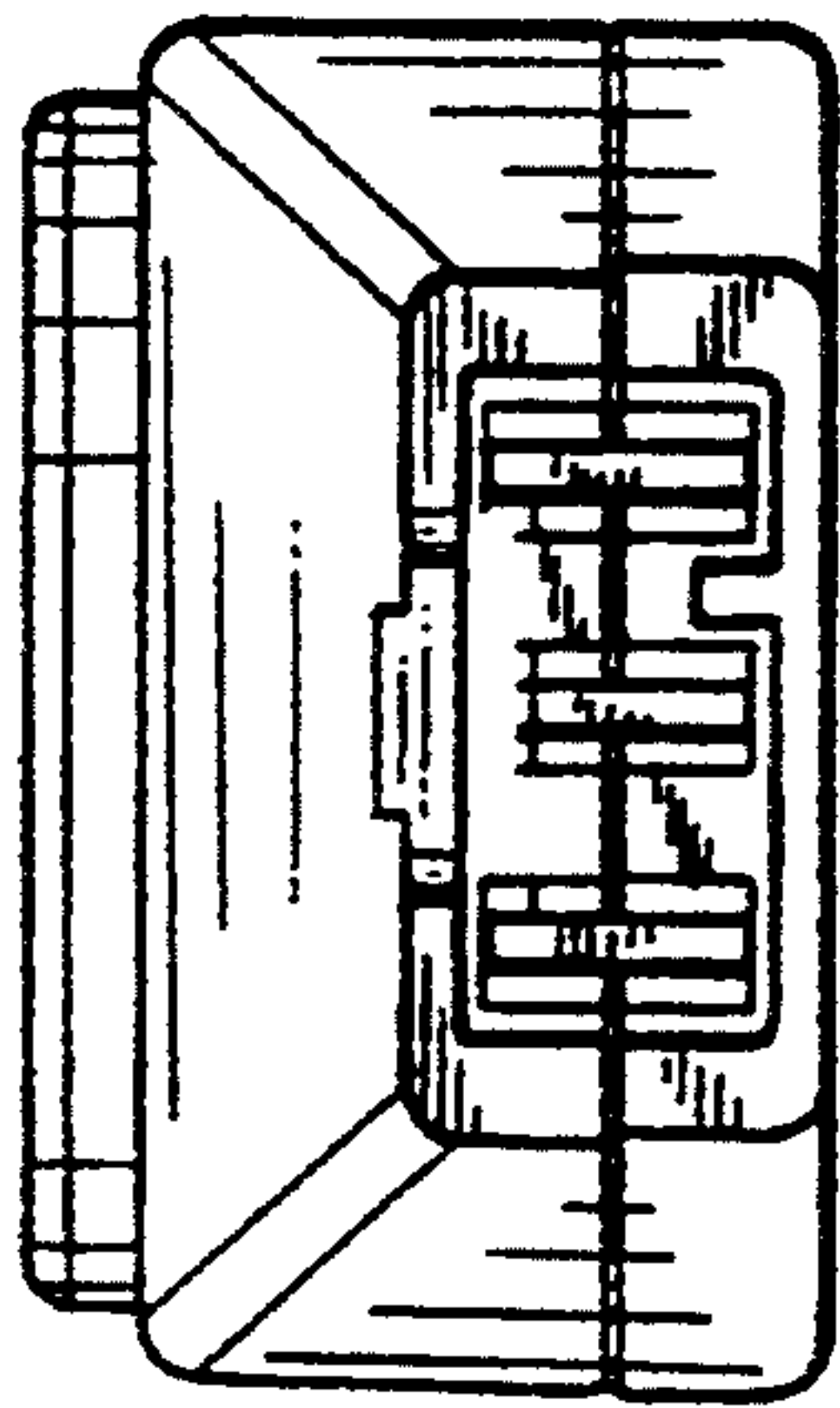


FIG. 6

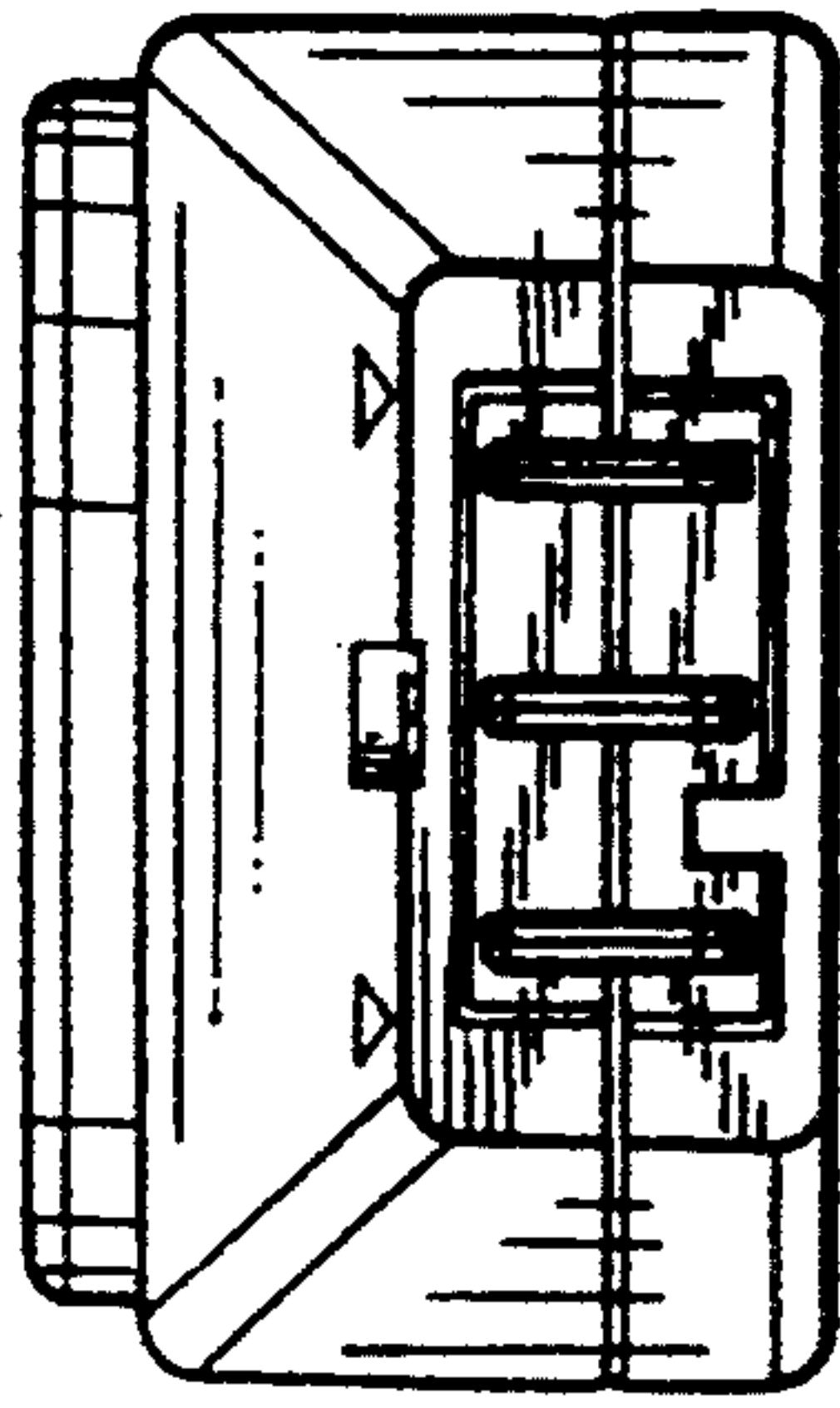
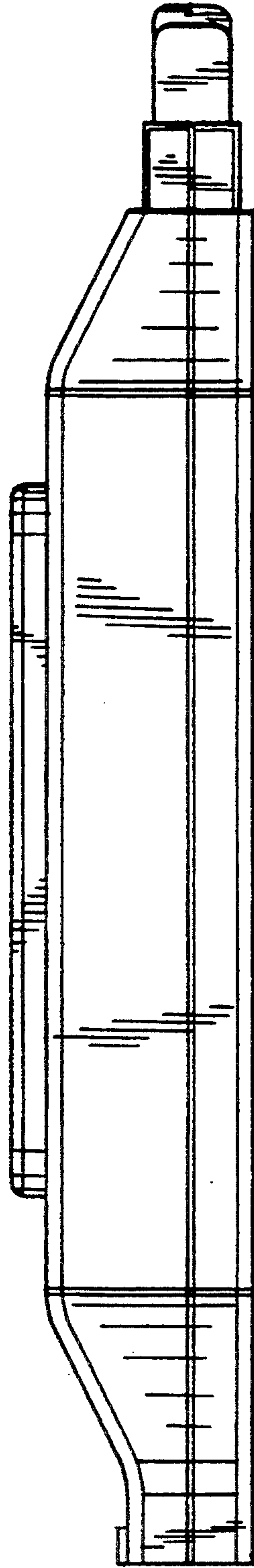


FIG. 7



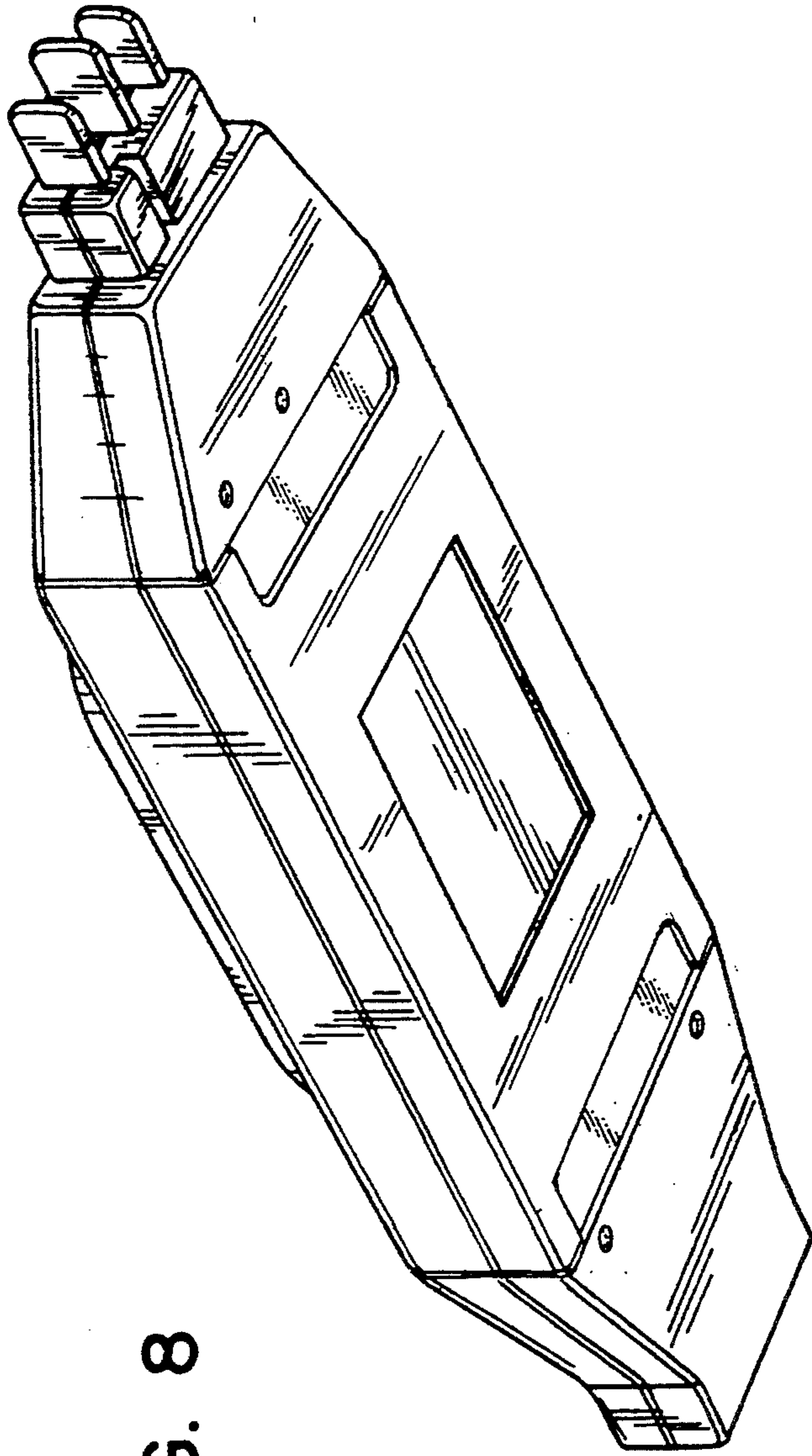


FIG. 8

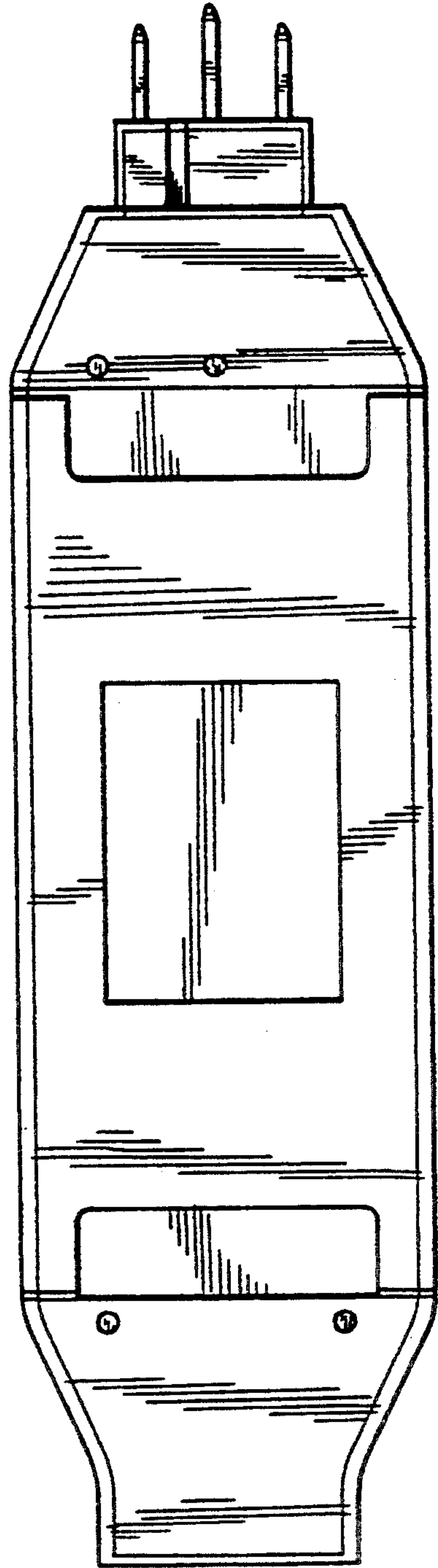


FIG. 9