



US00D360872S

United States Patent [19]

[11] Patent Number: **Des. 360,872**

Wilson

[45] Date of Patent: **** Aug. 1, 1995**

[54] ELECTRICAL PLUG HOUSING

[75] Inventor: **Daniel P. Wilson, Fontana, Calif.**

[73] Assignee: **DSM&T Co., Inc., Fontana, Calif.**

[**] Term: **14 Years**

[21] Appl. No.: **14,451**

[22] Filed: **Oct. 22, 1993**

[52] U.S. Cl. **D13/133**

[58] Field of Search **D13/133, 137, 138, 146, D13/147; 439/283, 349, 467, 552, 571, 589, 606, 660, 668, 692**

[56] References Cited

U.S. PATENT DOCUMENTS

2,037,630	4/1936	Hudson	439/281
2,782,391	2/1957	Kirk	439/281 X
3,107,132	10/1963	Smith	439/281 X
3,601,761	8/1971	Harris	439/281 X
4,601,529	7/1986	Billet	439/281
4,904,198	2/1990	Begitschke et al.	439/281
5,158,479	10/1992	Mouissie	439/589

Primary Examiner—James M. Gandy
Assistant Examiner—Joel Sincavage
Attorney, Agent, or Firm—Collard & Roe

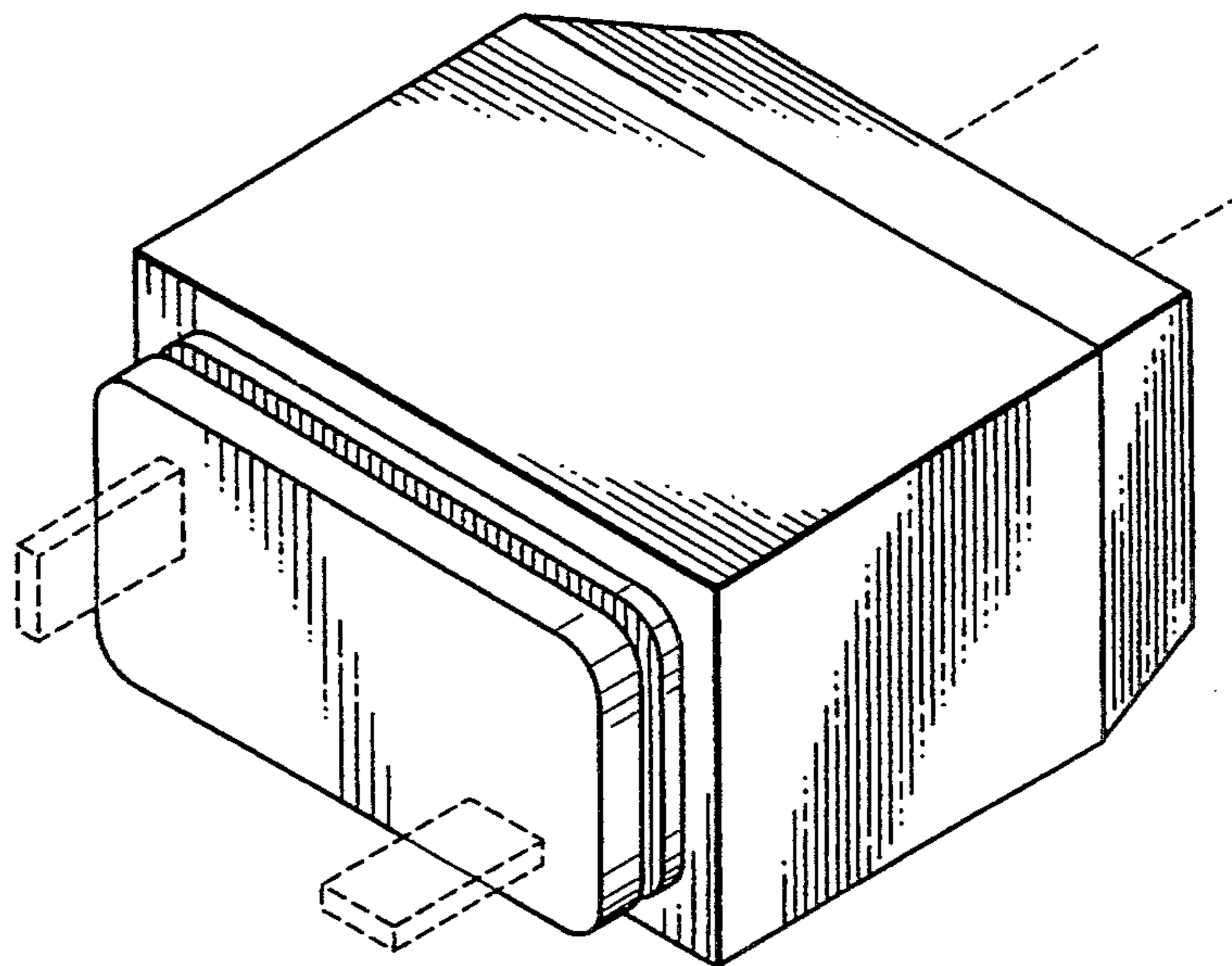
[57] CLAIM

The ornamental design for an electrical plug housing, as shown and described.

DESCRIPTION

FIG. 1 is a perspective view of an electrical plug housing showing my new design;
 FIG. 2 is a front side elevational view thereof;
 FIG. 3 is a top plan view thereof, the bottom view being identical except for the pin configuration;
 FIG. 4 is a right side elevational view thereof, the left side being identical;
 FIG. 5 is a rear side elevational view thereof;
 FIG. 6 is a perspective view of the electrical plug housing showing a second embodiment of my new design attached to an electrical receptacle;
 FIG. 7 is a perspective view thereof;
 FIG. 8 is a front elevational view thereof;
 FIG. 9 is a top plan view thereof, the bottom view being identical except for the pin configuration;
 FIG. 10 is a right side elevational view thereof, the left side being identical; and,
 FIG. 11 is a side elevational view thereof.

The broken line showing of the electrical plug in FIG. 6 and the electrical cords in FIGS. 1, 3, 4-7 and 9-11 together with the electrical contacts in FIGS. 1-4 and 6-10 is included for the purpose of illustrating environmental structure only and forms no part of the claimed design.



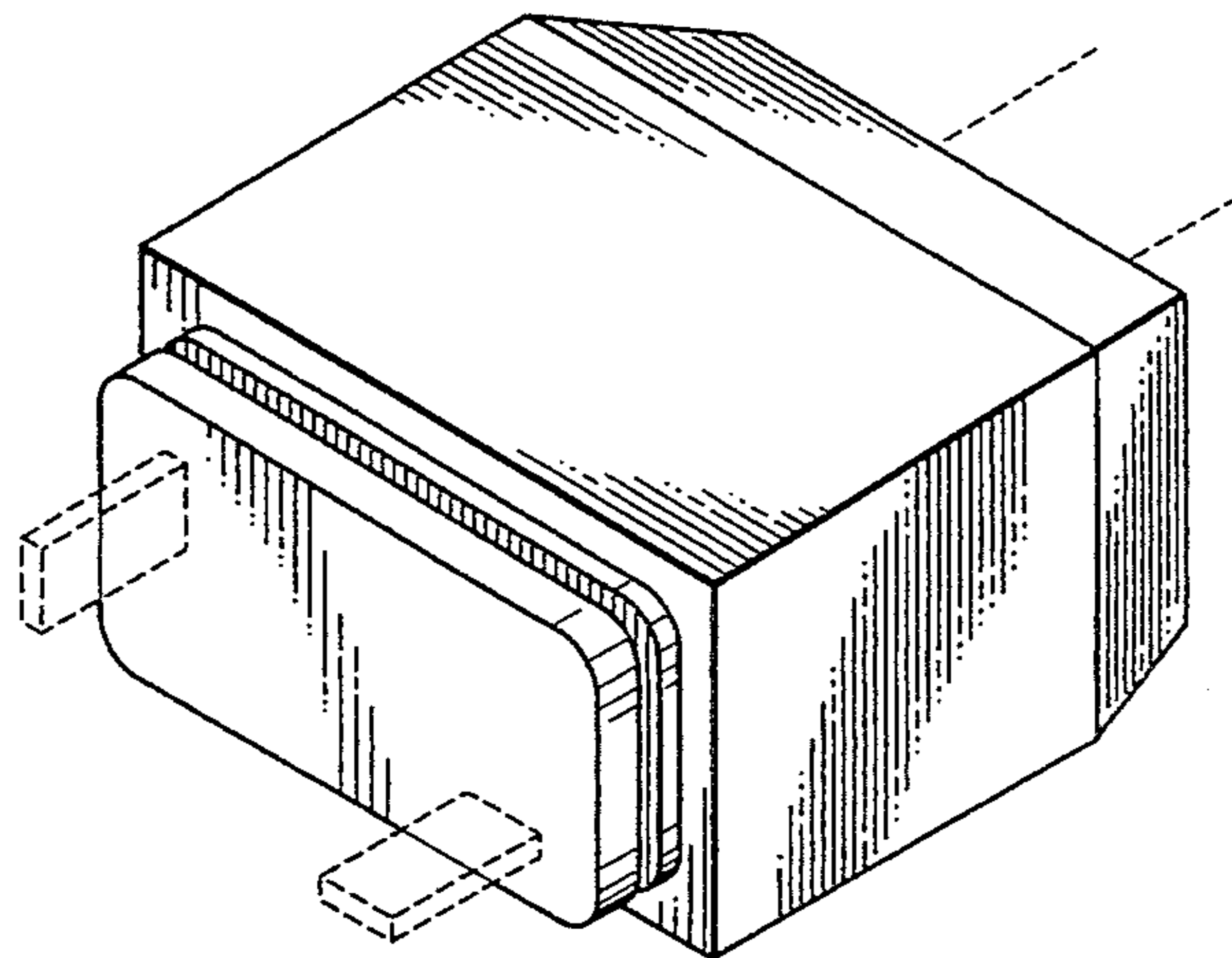


Fig. 1

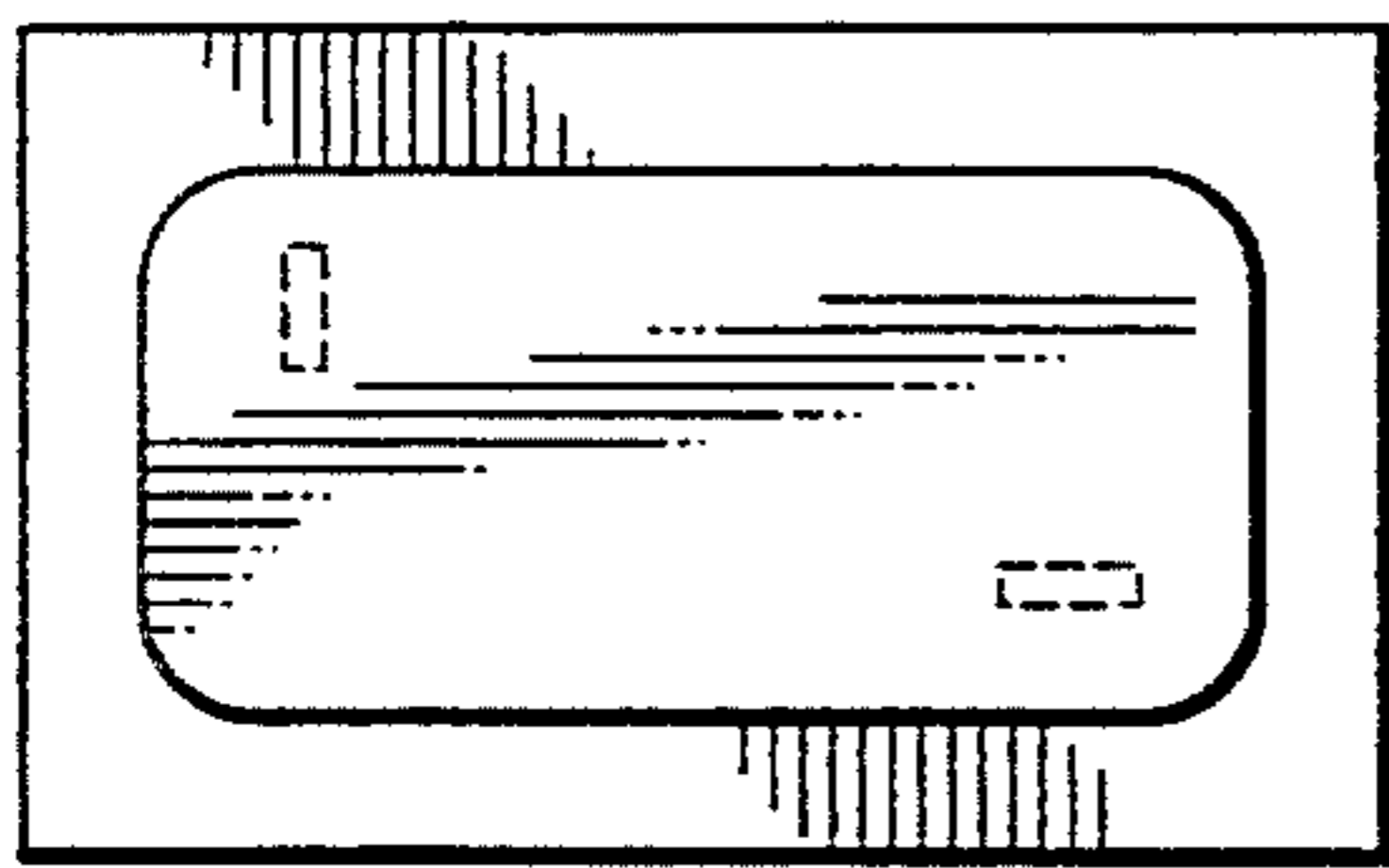


Fig. 2

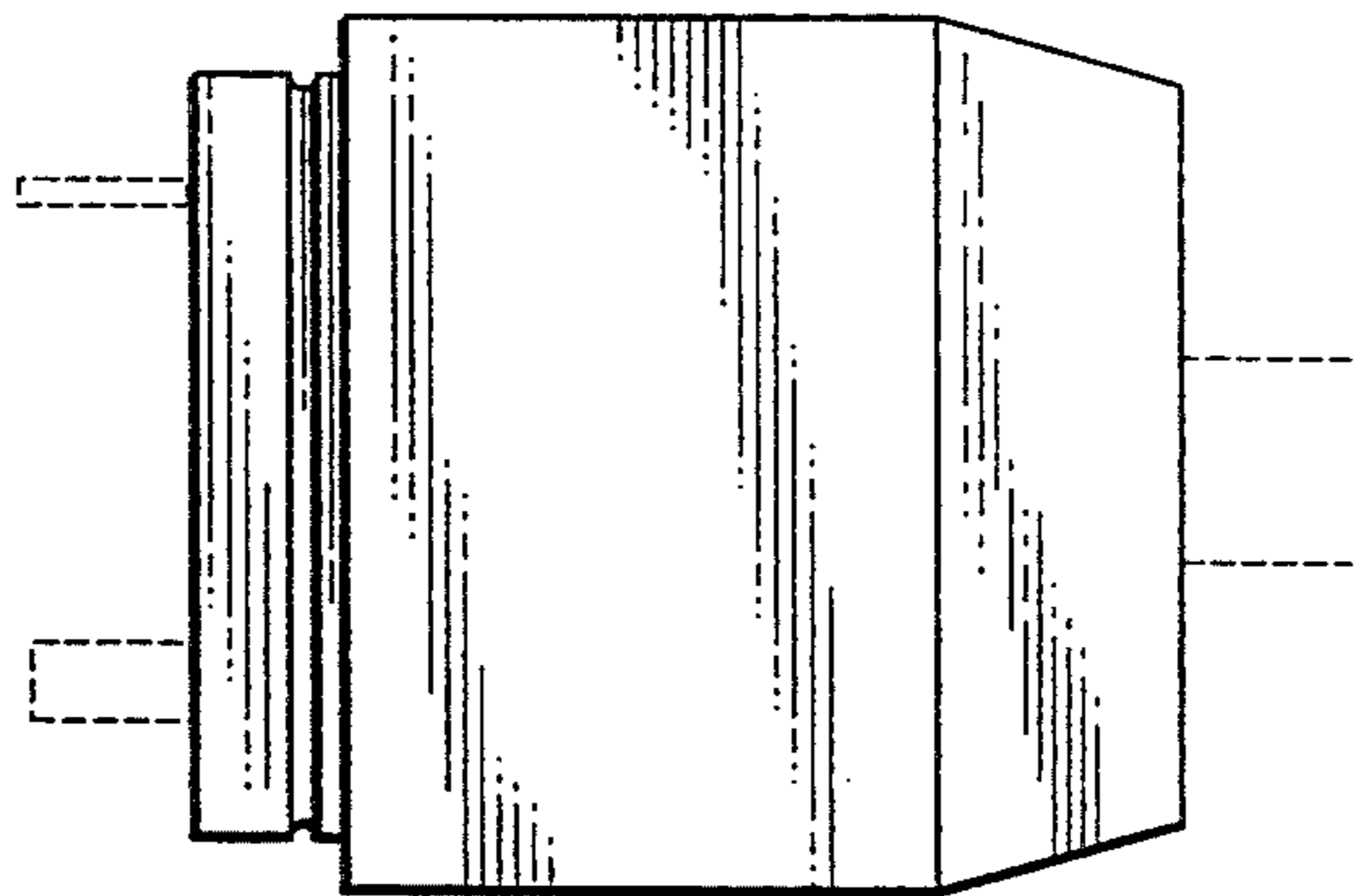


Fig. 3

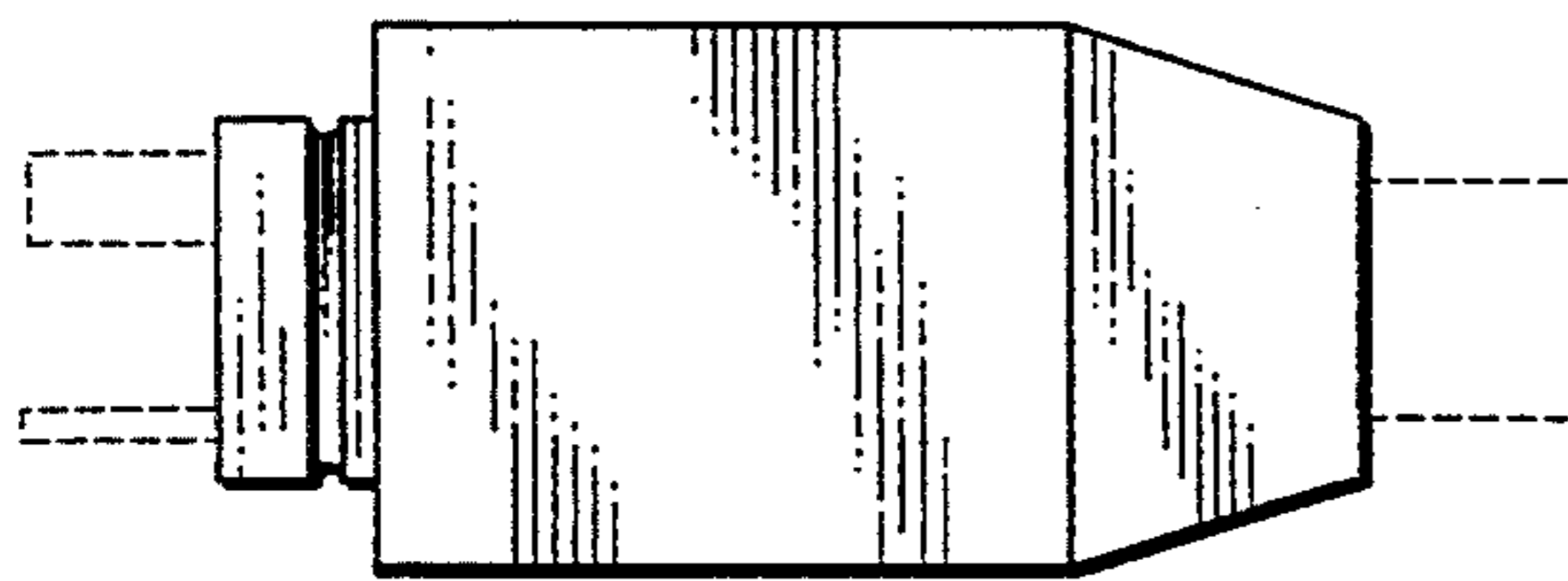


Fig. 4

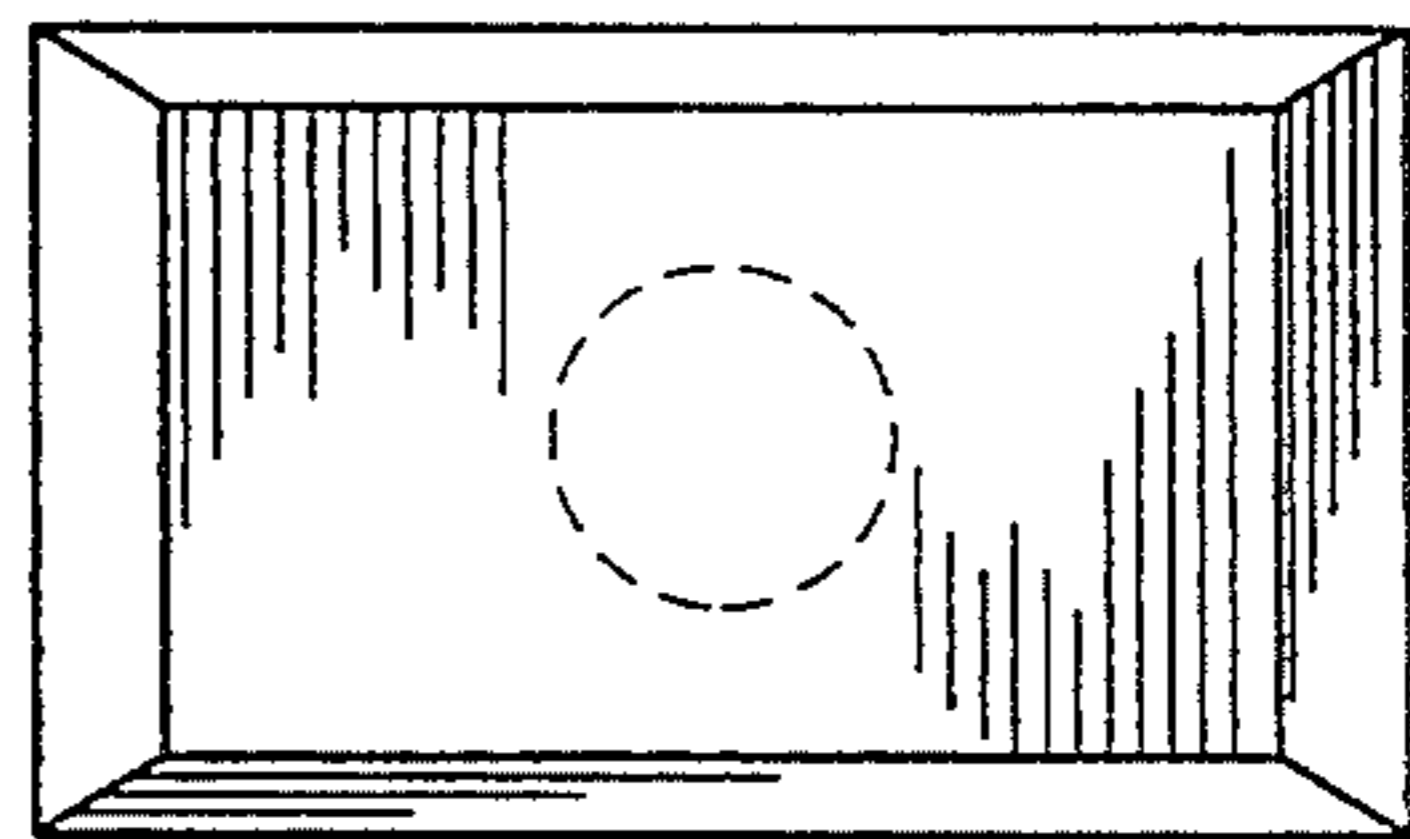


Fig. 5

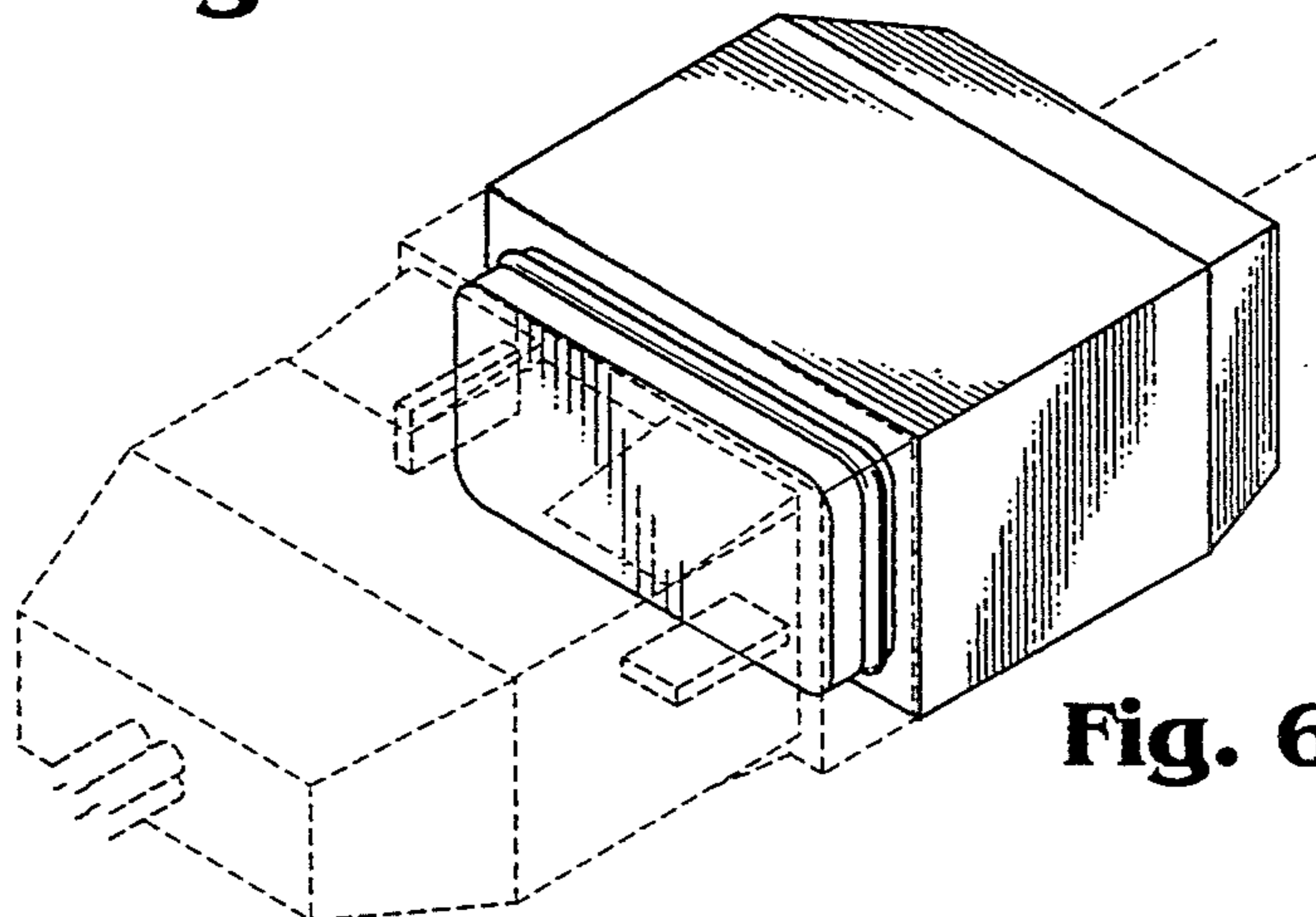


Fig. 6

Fig. 7

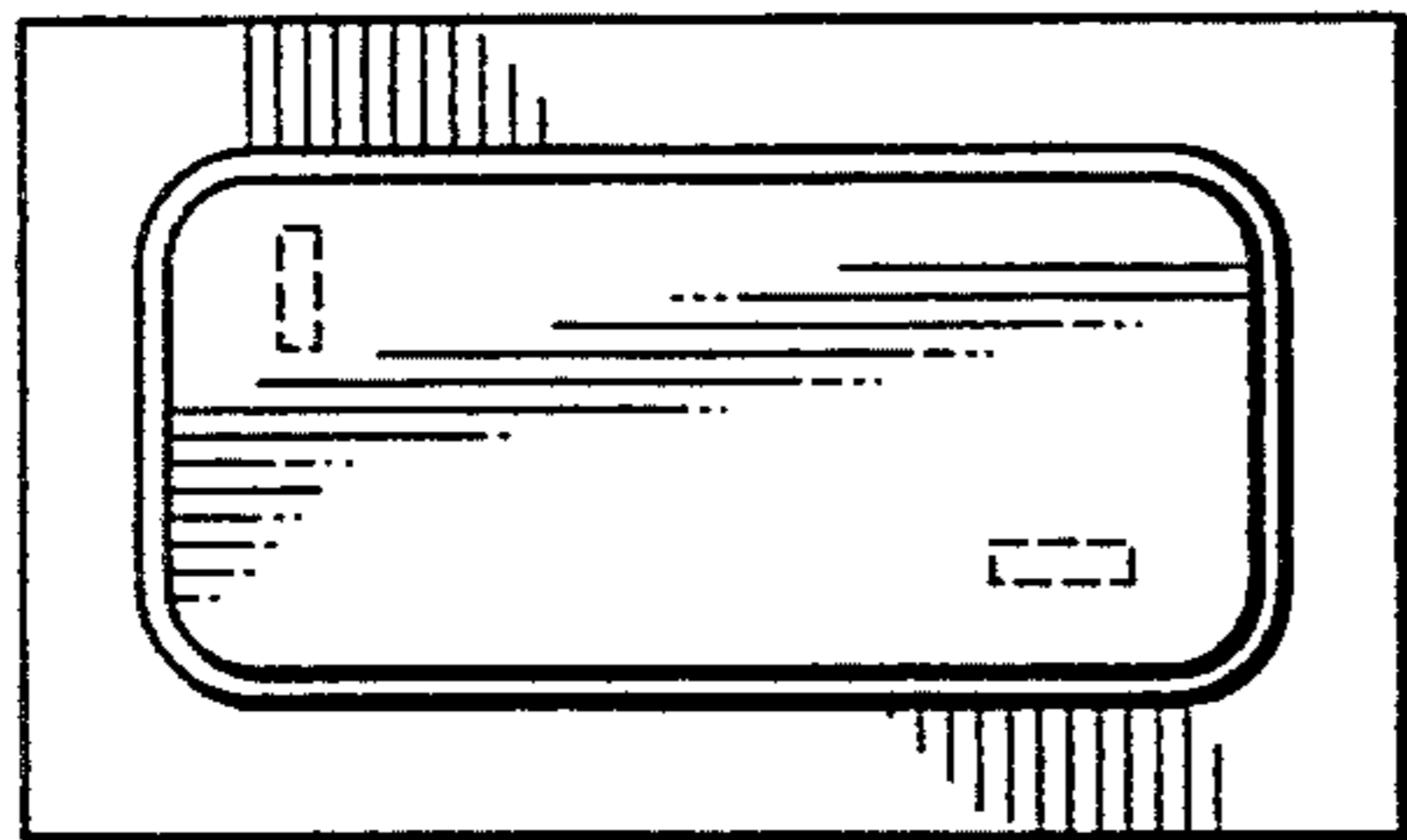
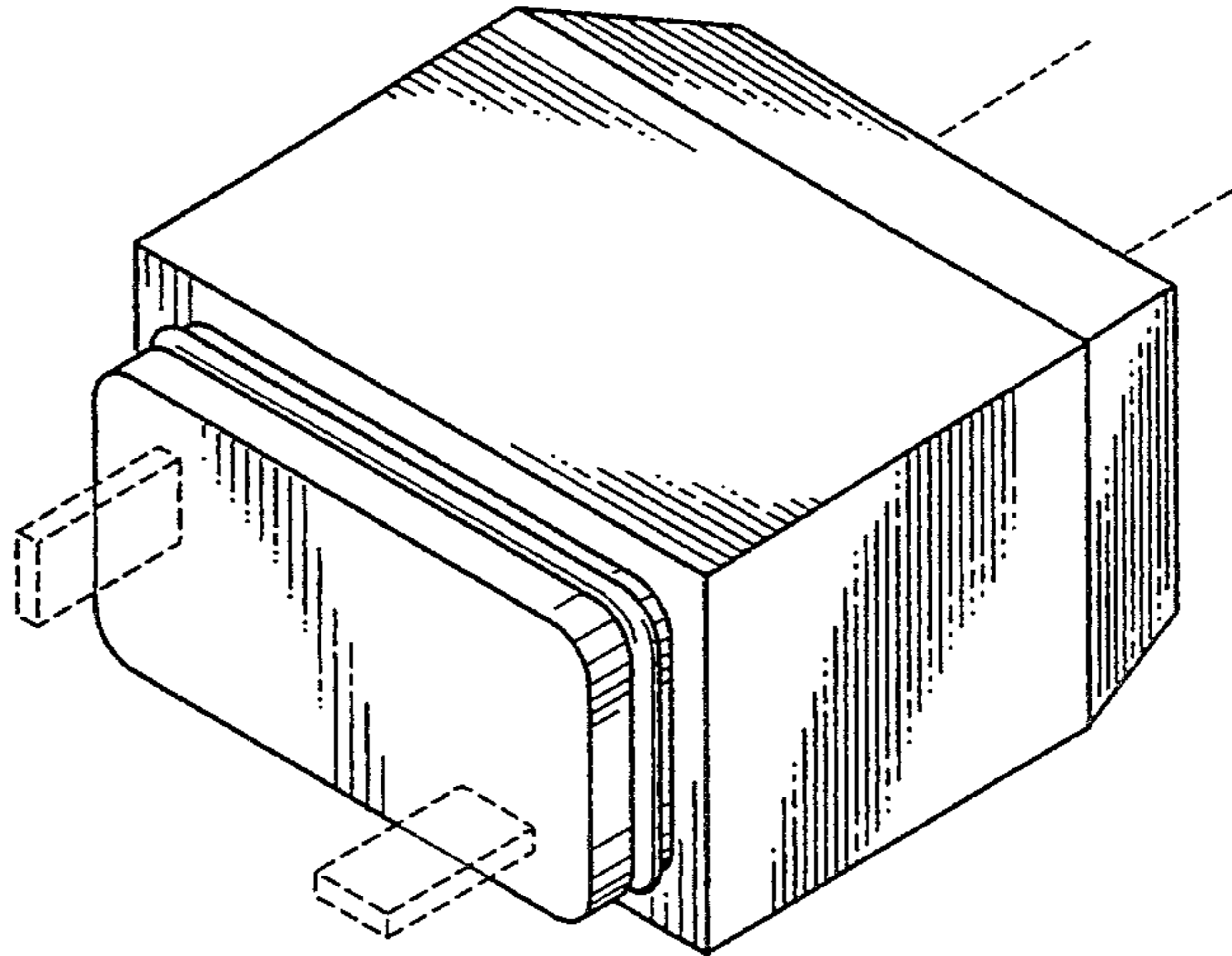


Fig. 8

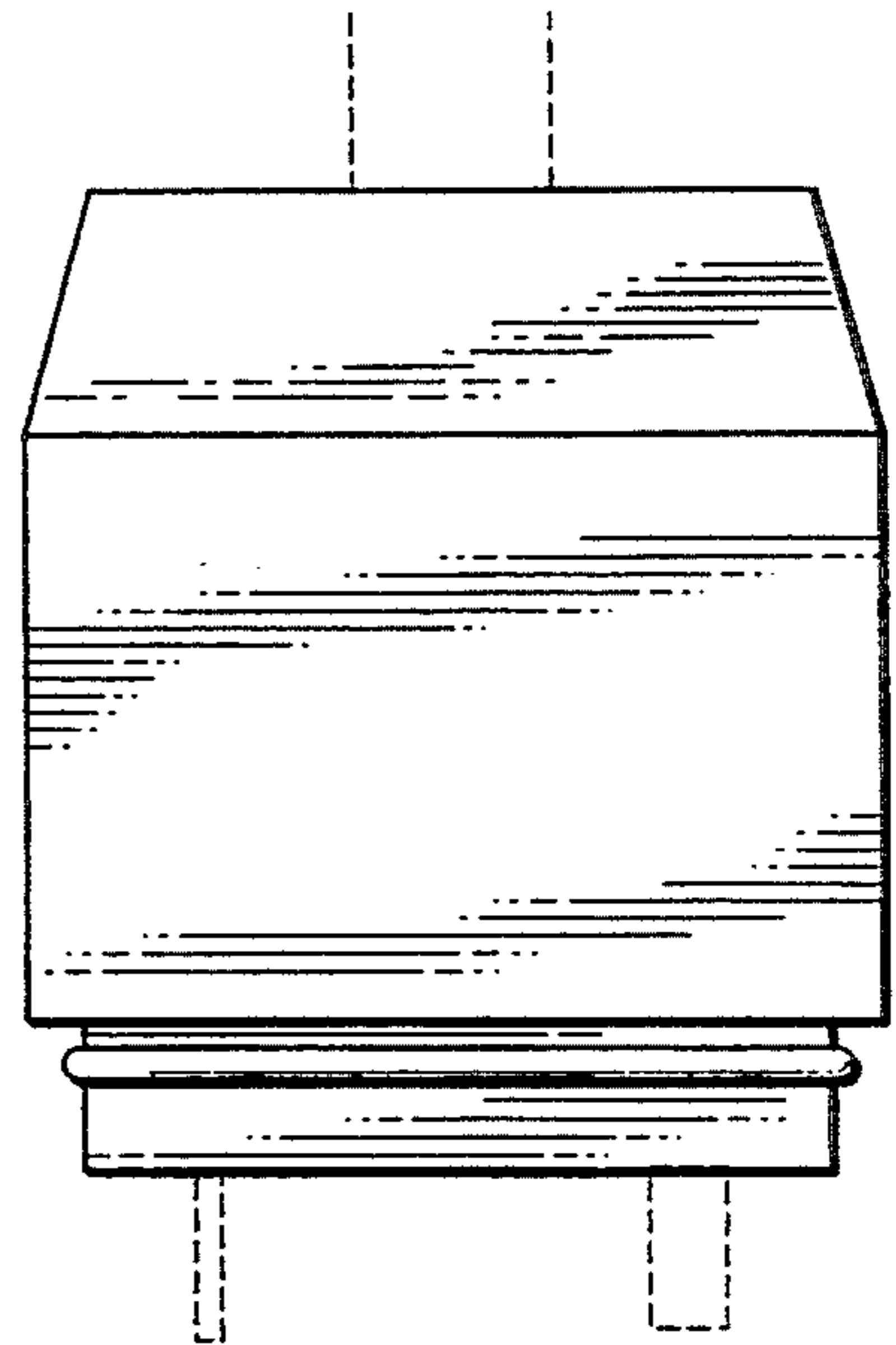


Fig. 9

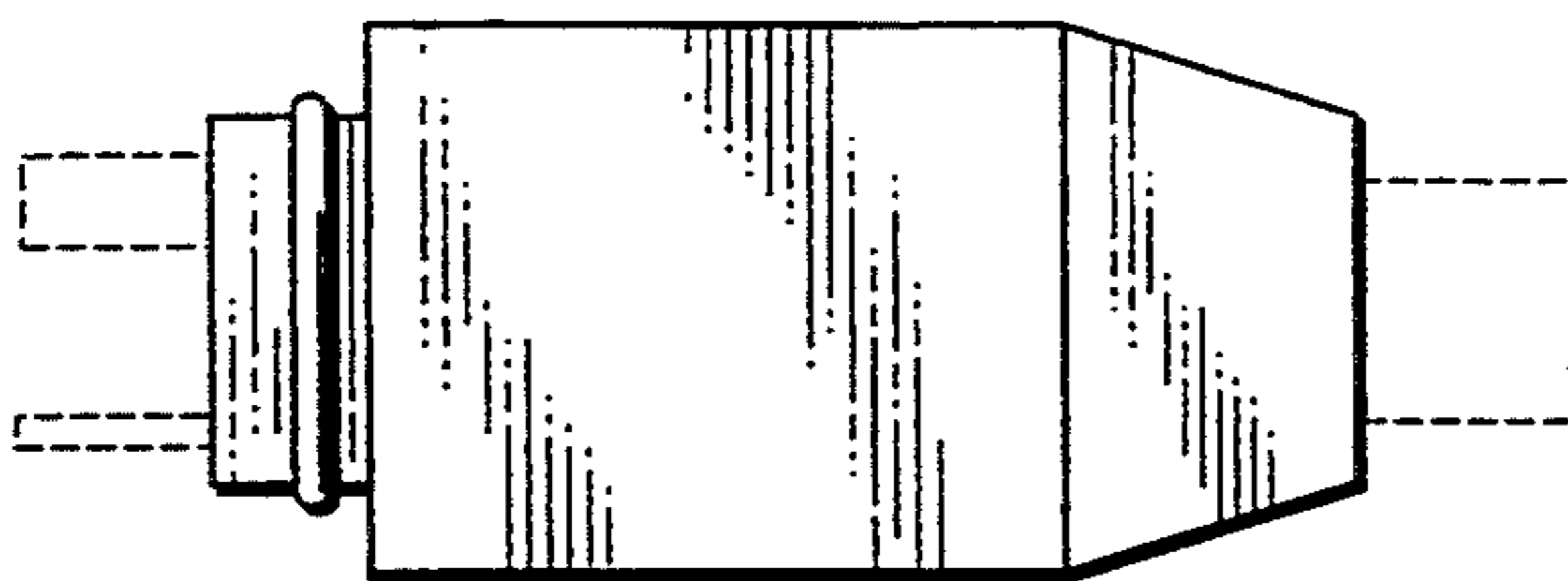


Fig. 10

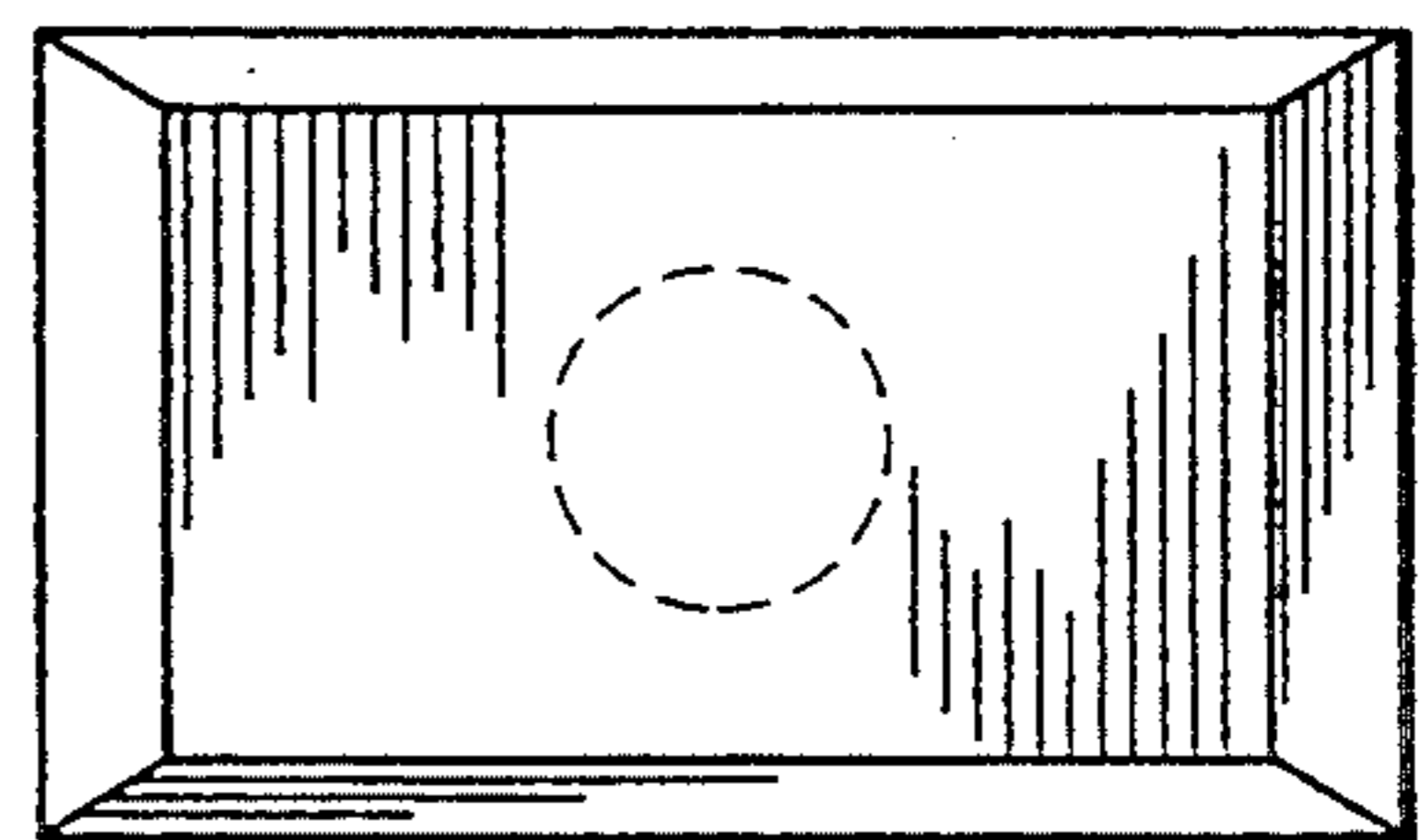


Fig. 11