



US00D360871S

United States Patent [19]

[11] Patent Number: **Des. 360,871**

Wilson

[45] Date of Patent: **** Aug. 1, 1995**

[54] **ELECTRICAL RECEPTACLE HOUSING**

[75] Inventor: **Daniel P. Wilson, Fontana, Calif.**

[73] Assignee: **DSM&T Co., Inc., Fontana, Calif.**

[**] Term: **14 Years**

[21] Appl. No.: **14,427**

[22] Filed: **Oct. 22, 1993**

[52] U.S. Cl. **D13/133**

[58] Field of Search **D13/133, 137, 138, 146, D13/147; 439/248, 283, 349, 552, 553, 562, 571, 589, 606, 660, 668, 682, 744**

[56] **References Cited**

U.S. PATENT DOCUMENTS

2,037,630	4/1936	Hudson	439/281
2,782,391	2/1957	Kirk	439/281 X
3,107,132	10/1963	Smith	439/281 X
3,601,761	8/1971	Harris	439/281 X
3,643,132	2/1972	Odmark	439/552 X
4,601,529	7/1986	Billet	439/281
4,681,190	8/1987	Clark et al.	439/552 X
4,721,478	1/1988	Sonobe	439/589 X
4,820,181	4/1989	Kuzuno et al.	439/283 X
4,904,198	2/1990	Begitschke et al.	439/281
5,158,479	10/1992	Mouissie	439/589
5,197,899	3/1993	Akeda	439/283 X

Primary Examiner—James M. Gandy
Assistant Examiner—Joel Sincavage
Attorney, Agent, or Firm—Collard & Roe

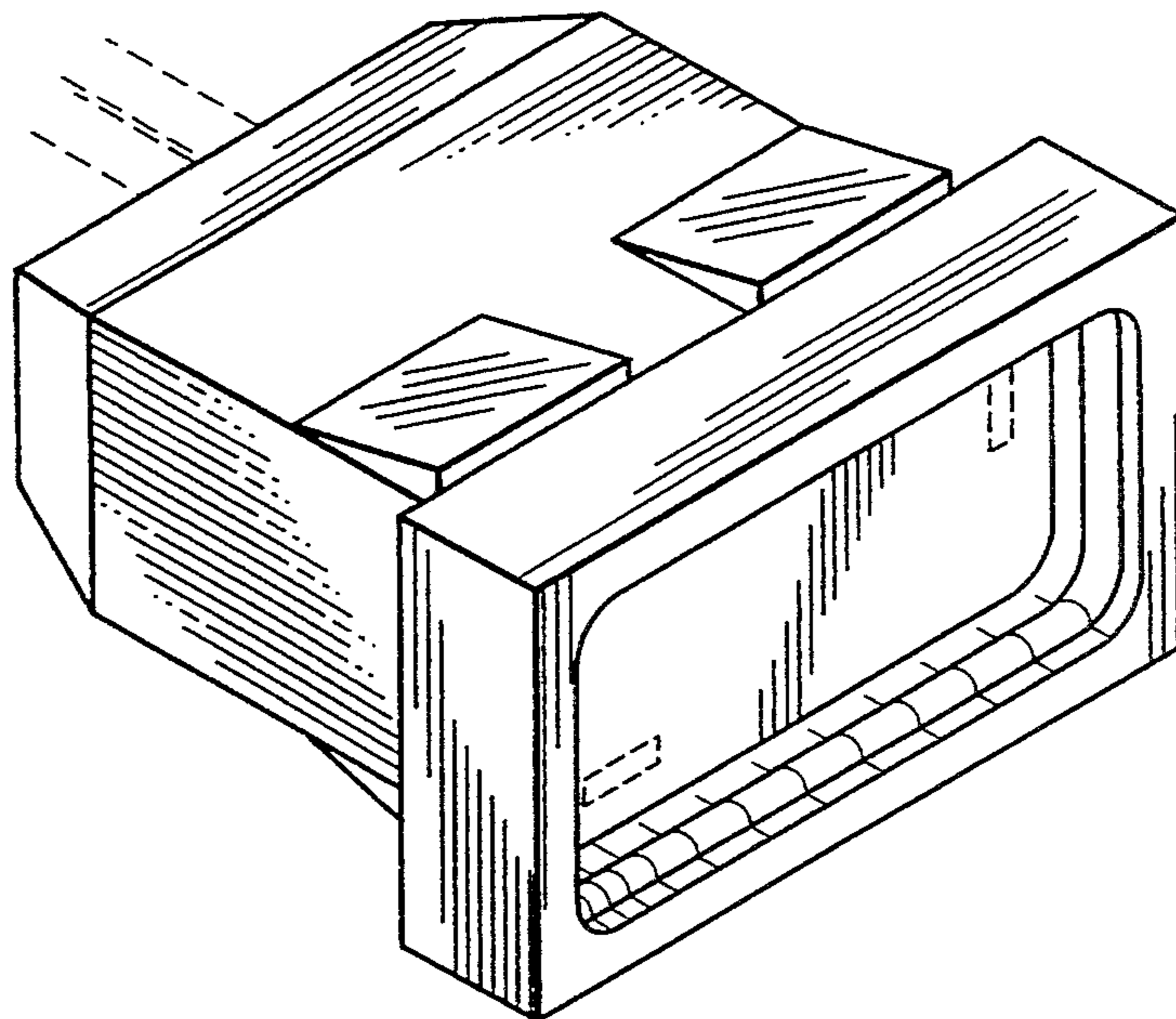
[57] **CLAIM**

The ornamental design for an electrical receptacle housing, as shown and described.

DESCRIPTION

FIG. 1 is a perspective view of an electrical receptacle housing showing my new design;
 FIG. 2 is a front side elevational view thereof;
 FIG. 3 is a top plan view thereof, the bottom view being identical;
 FIG. 4 is a left side elevational view thereof, the right side being identical;
 FIG. 5 is a rear side elevational view thereof;
 FIG. 6 is a perspective view thereof shown attached to an electrical plug;
 FIG. 7 is a perspective view of the receptacle housing showing a second embodiment of my new design having a semicircular groove therein;
 FIG. 8 is a front side elevational view thereof;
 FIG. 9 is a top plan view thereof, the bottom view being identical;
 FIG. 10 is a left side elevational view thereof, the right side being identical; and,
 FIG. 11 is a rear side elevational view thereof.

The broken line showing of the electrical plug in FIG. 6 and the electrical cords in FIGS. 1, 3, 4-7 and 9-11 together with the electrical contacts in FIGS. 1, 2, 7 and 8 is included for the purpose of illustrating environmental structure only and forms no part of the claimed design.



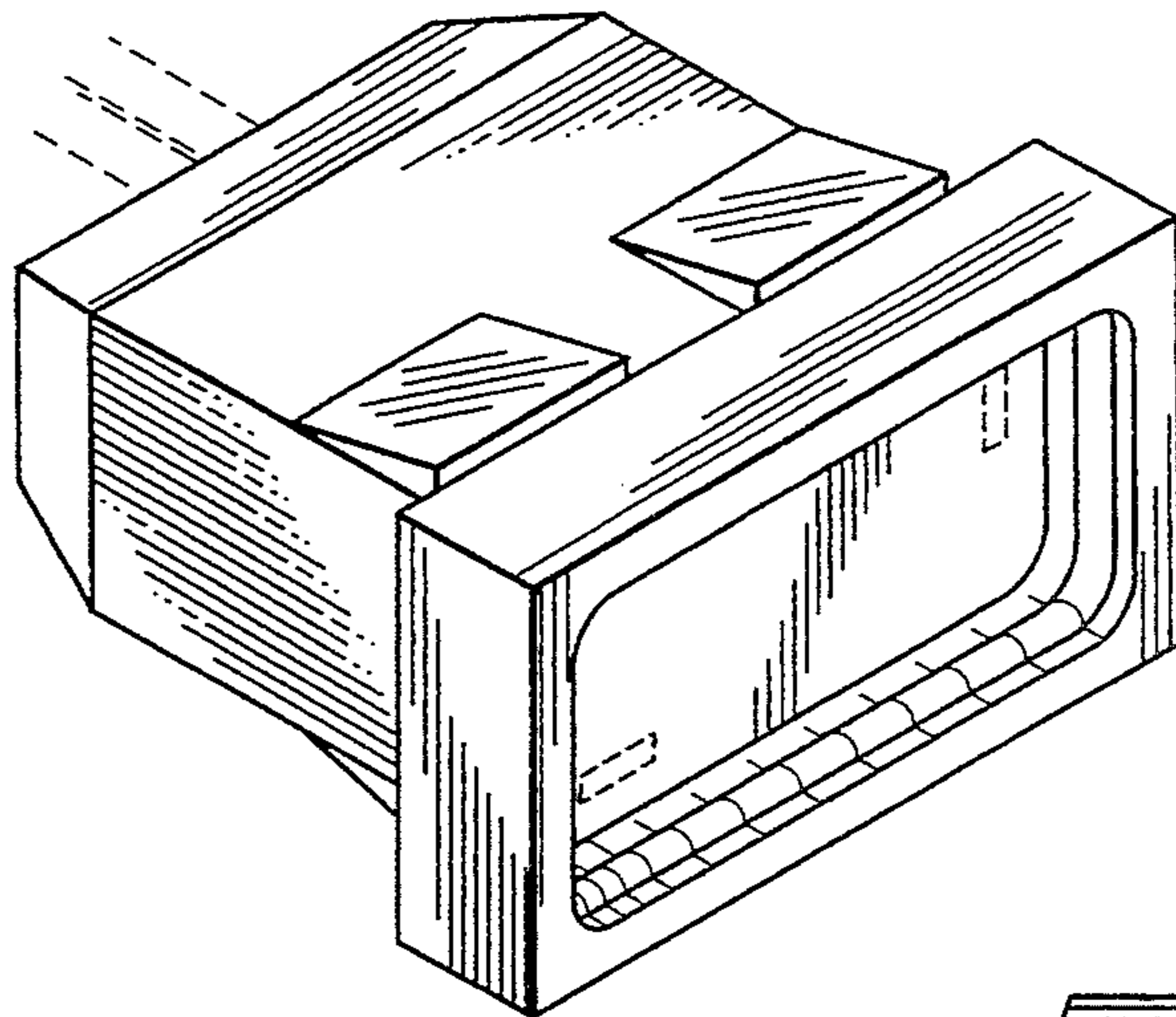


Fig. 1

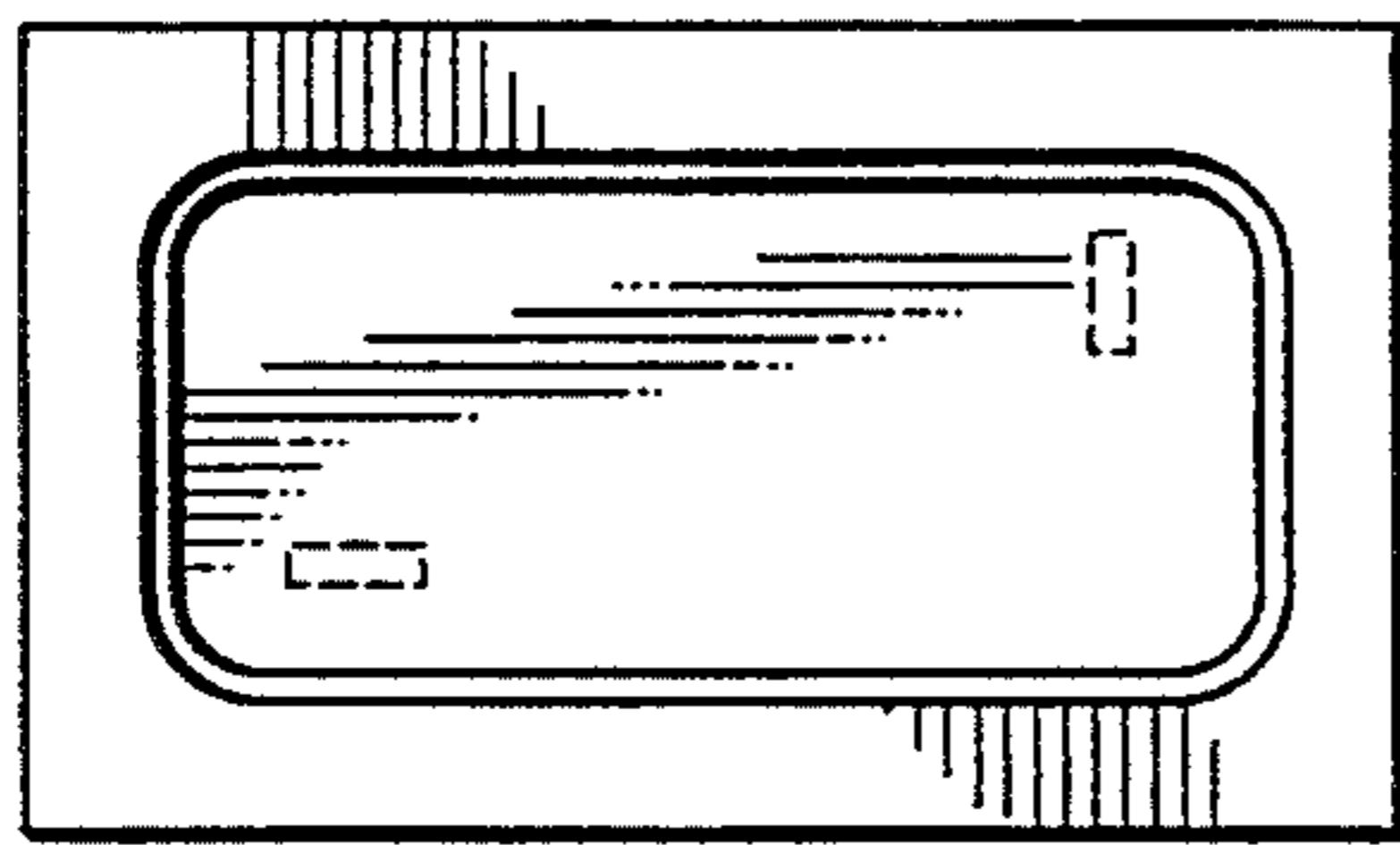


Fig. 2

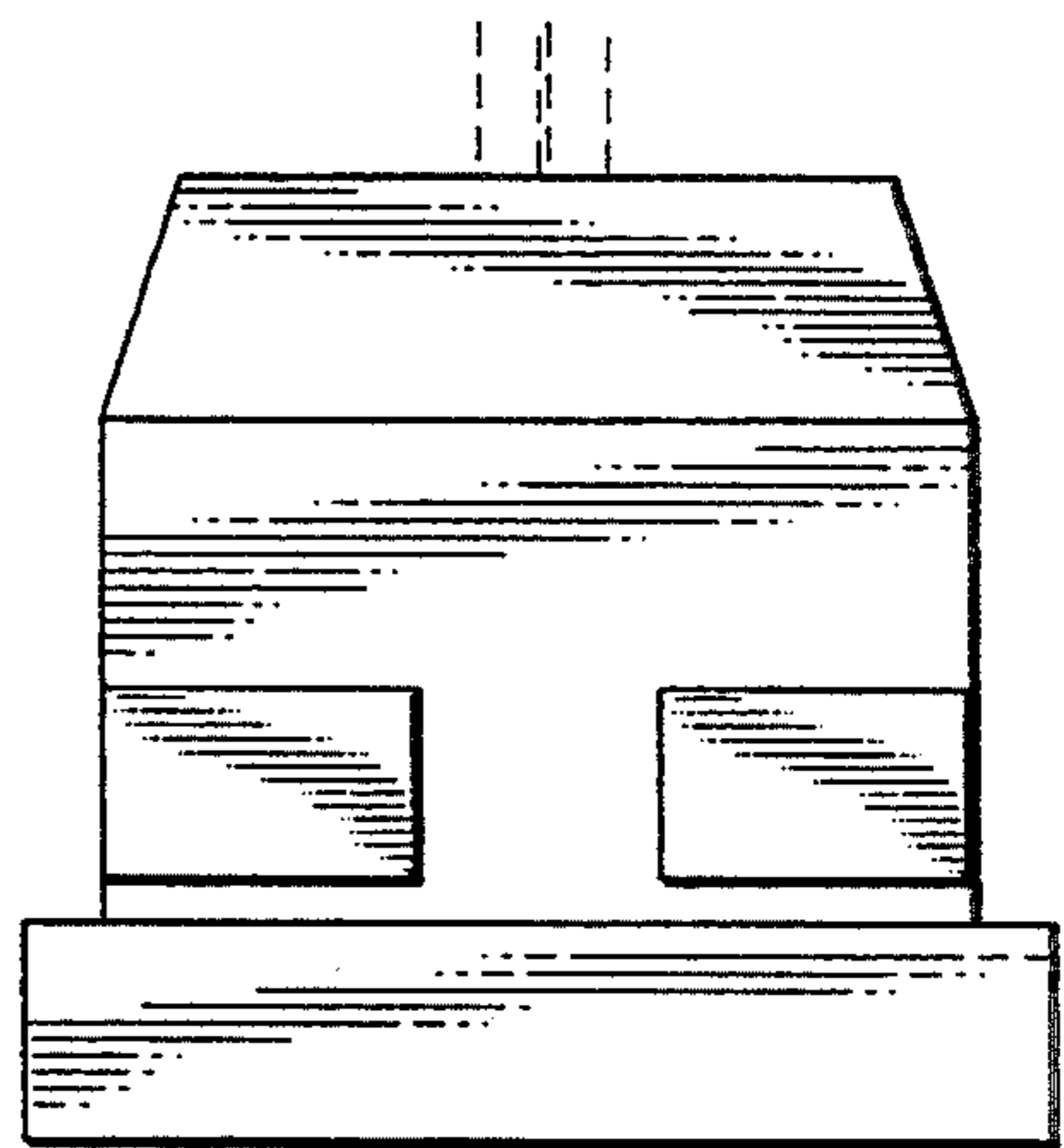


Fig. 3

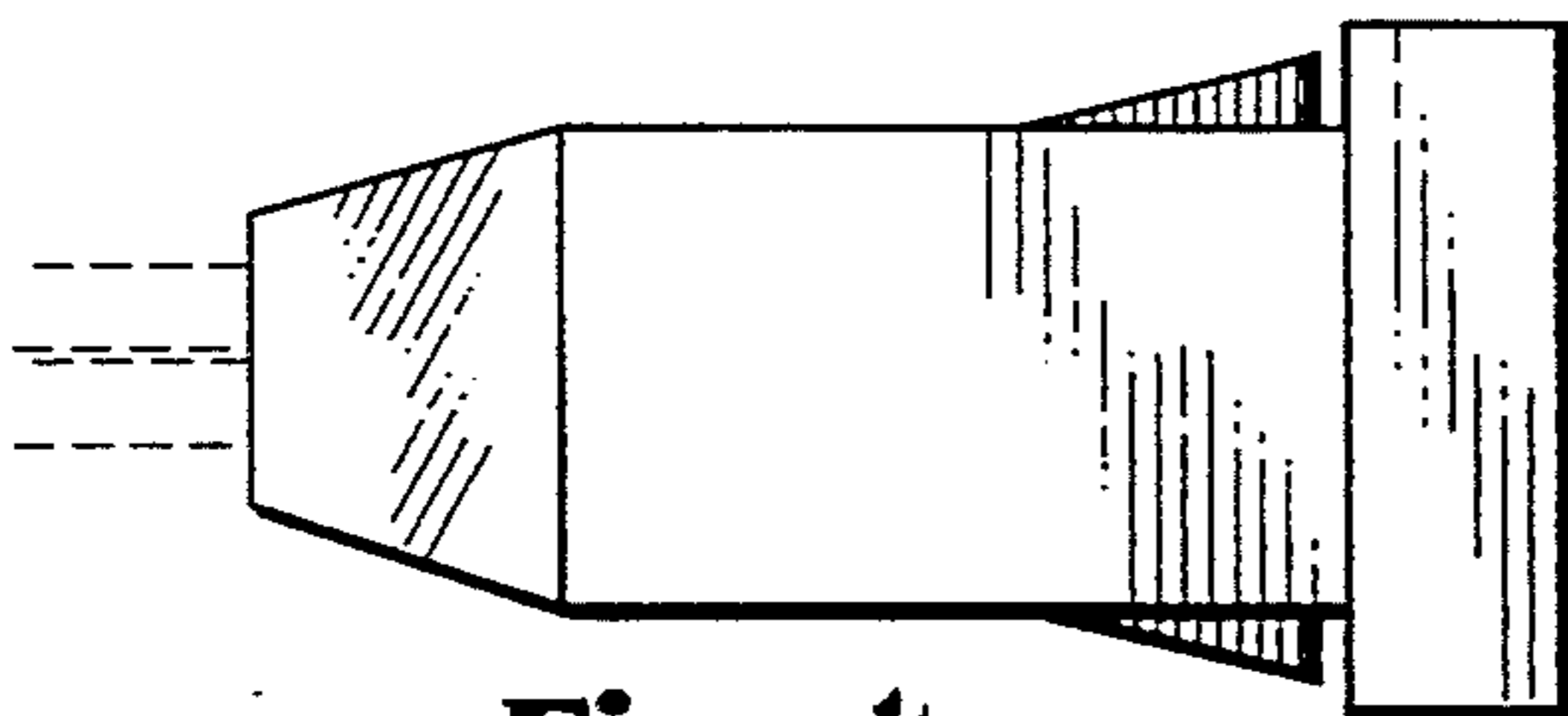


Fig. 4

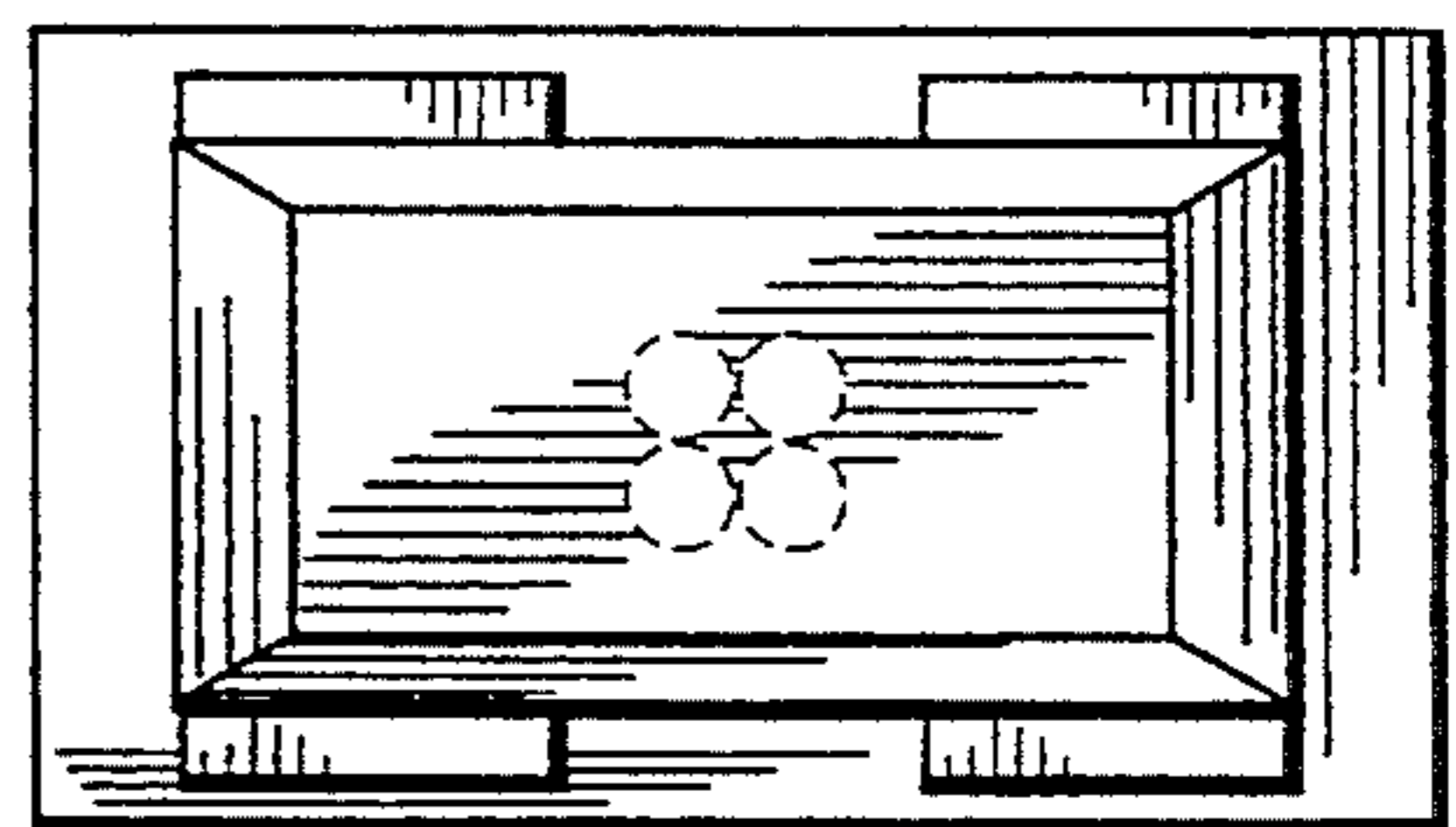


Fig. 5

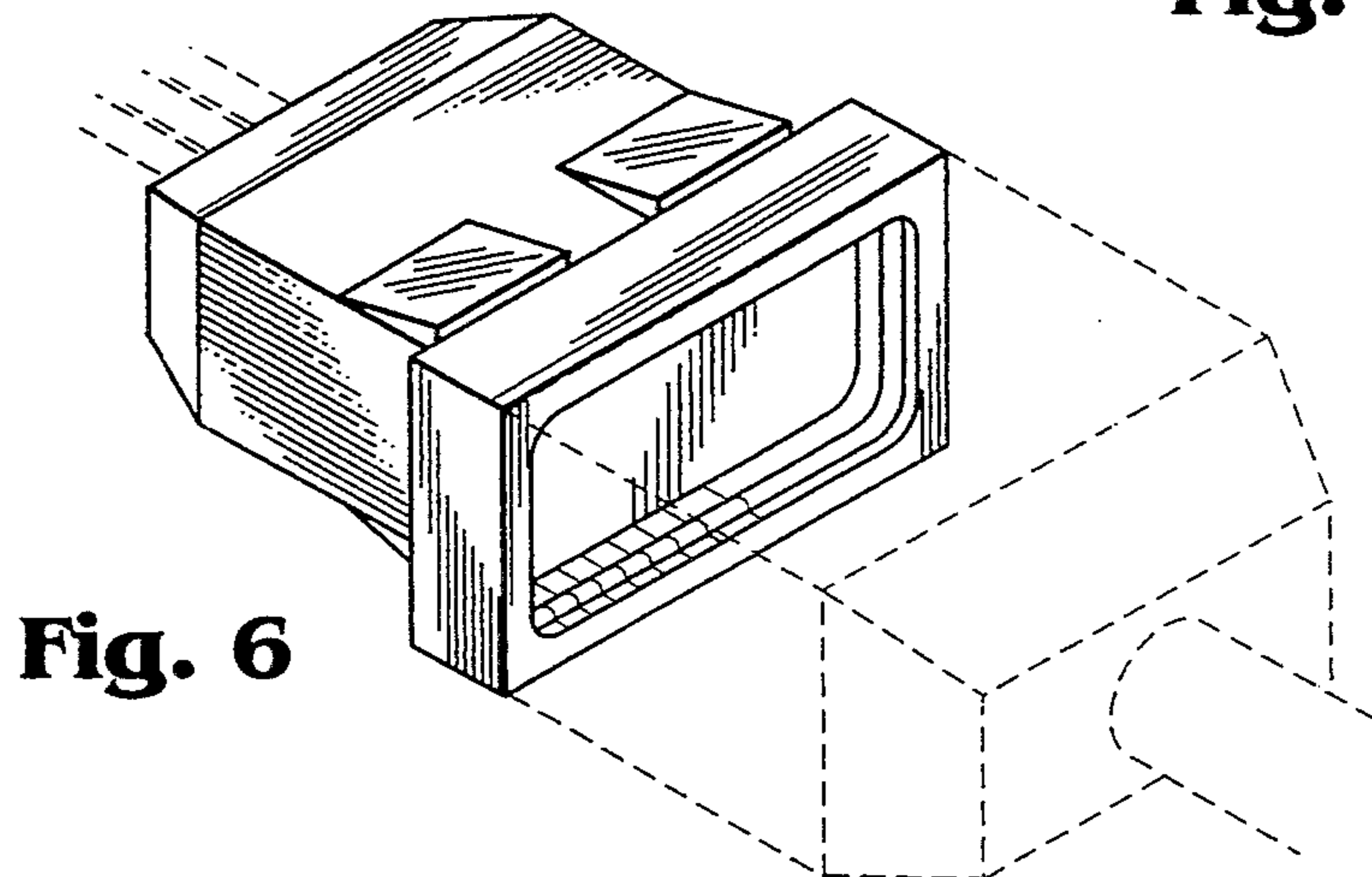


Fig. 6

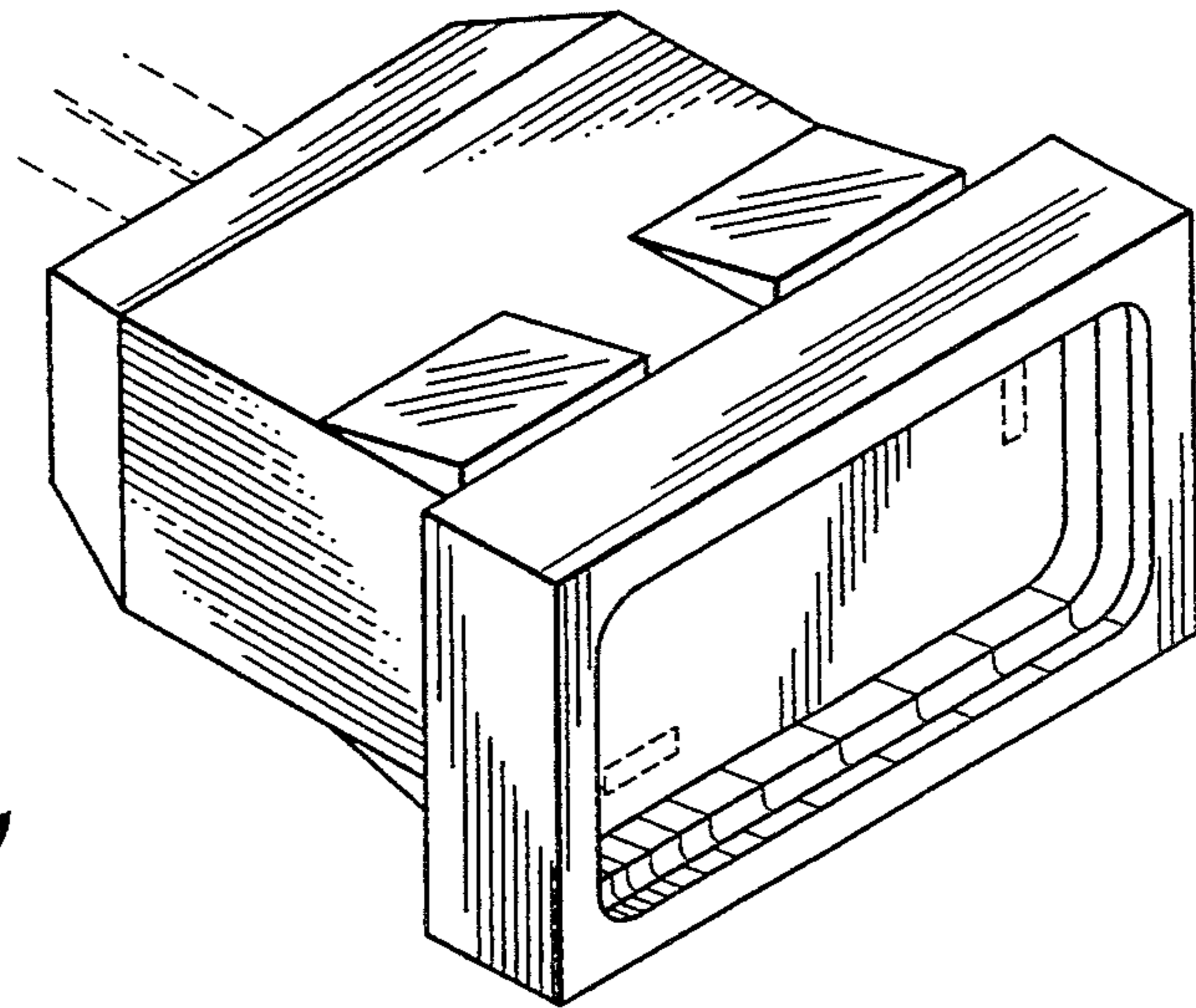


Fig. 7

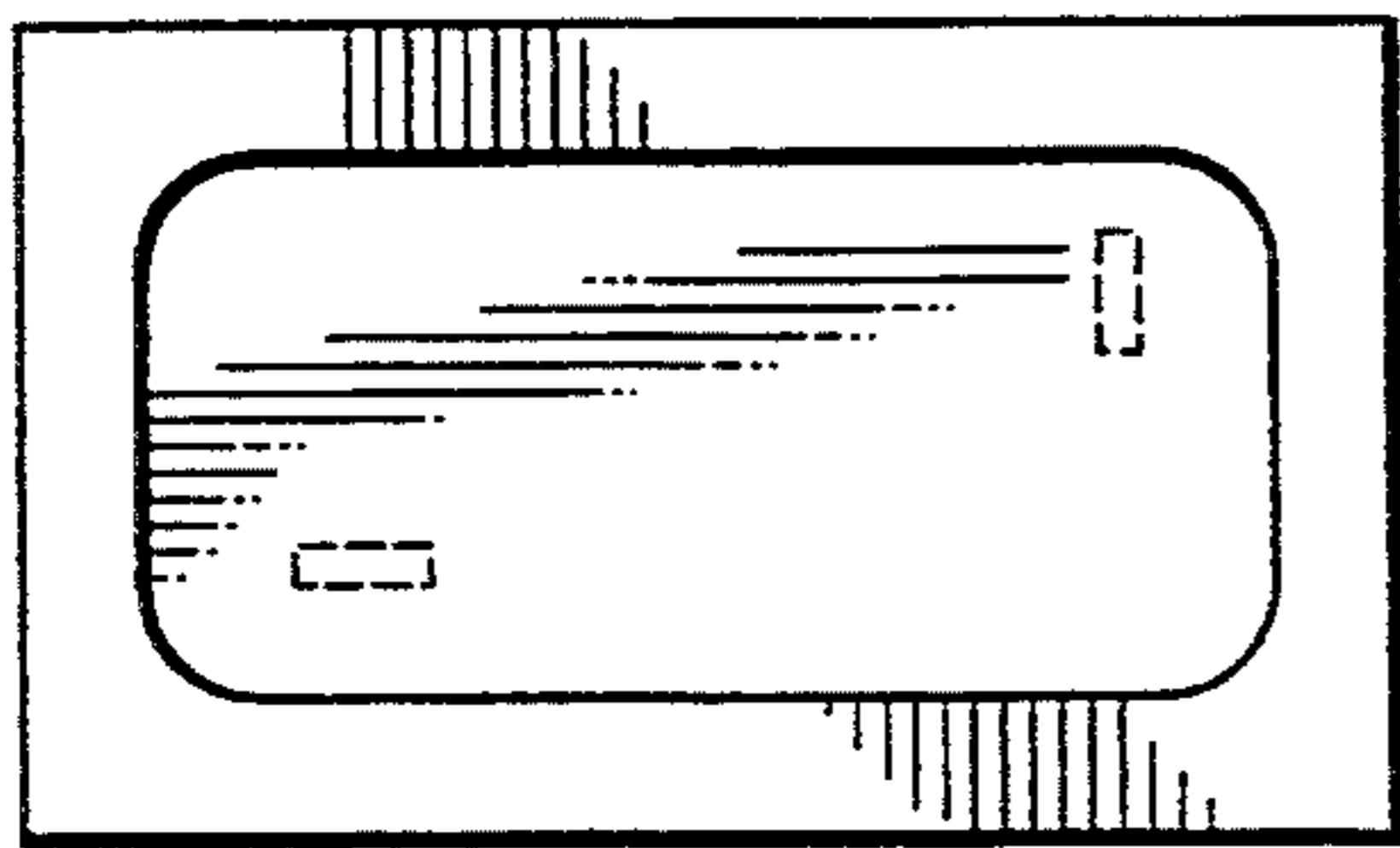


Fig. 8

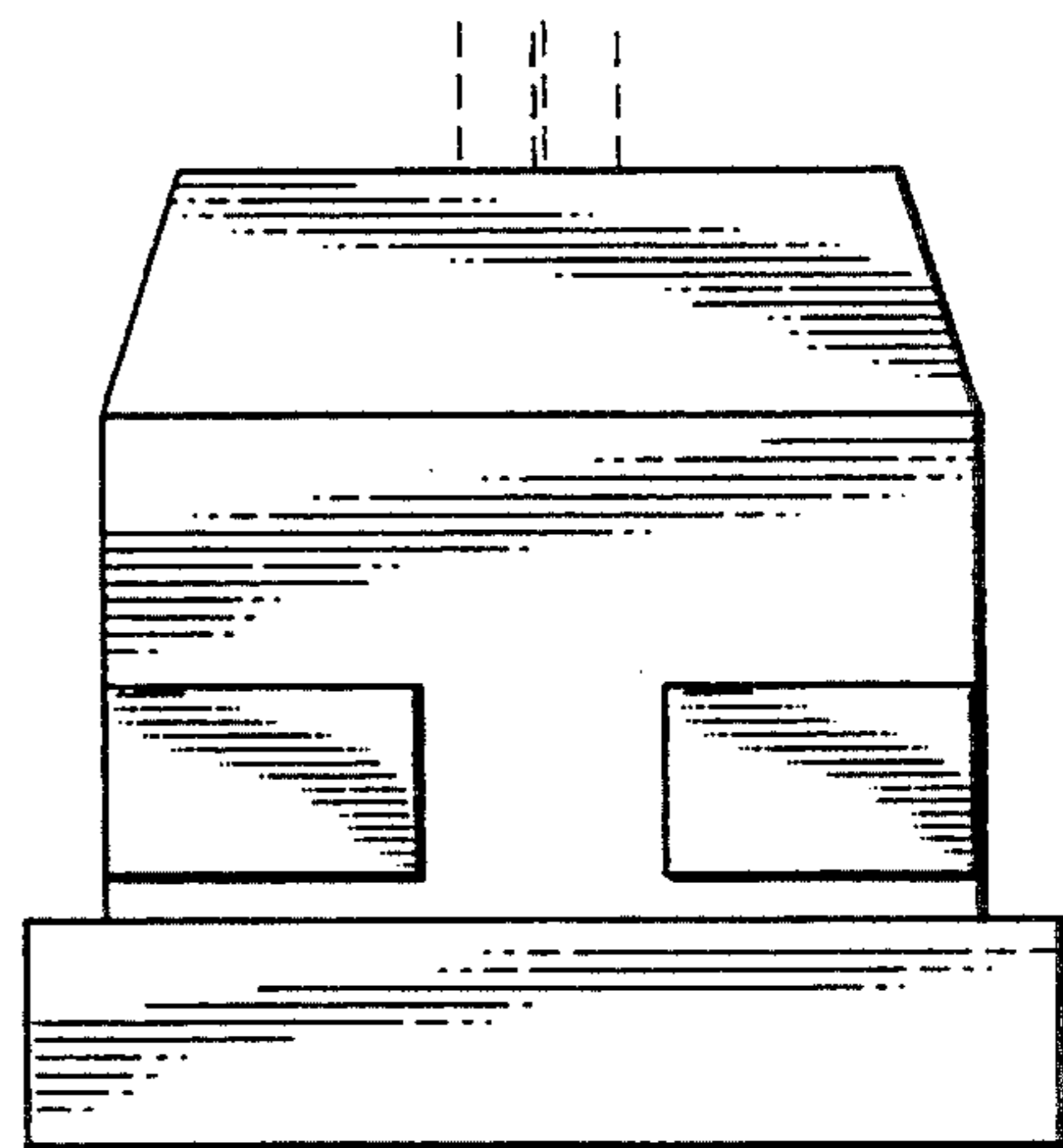


Fig. 9

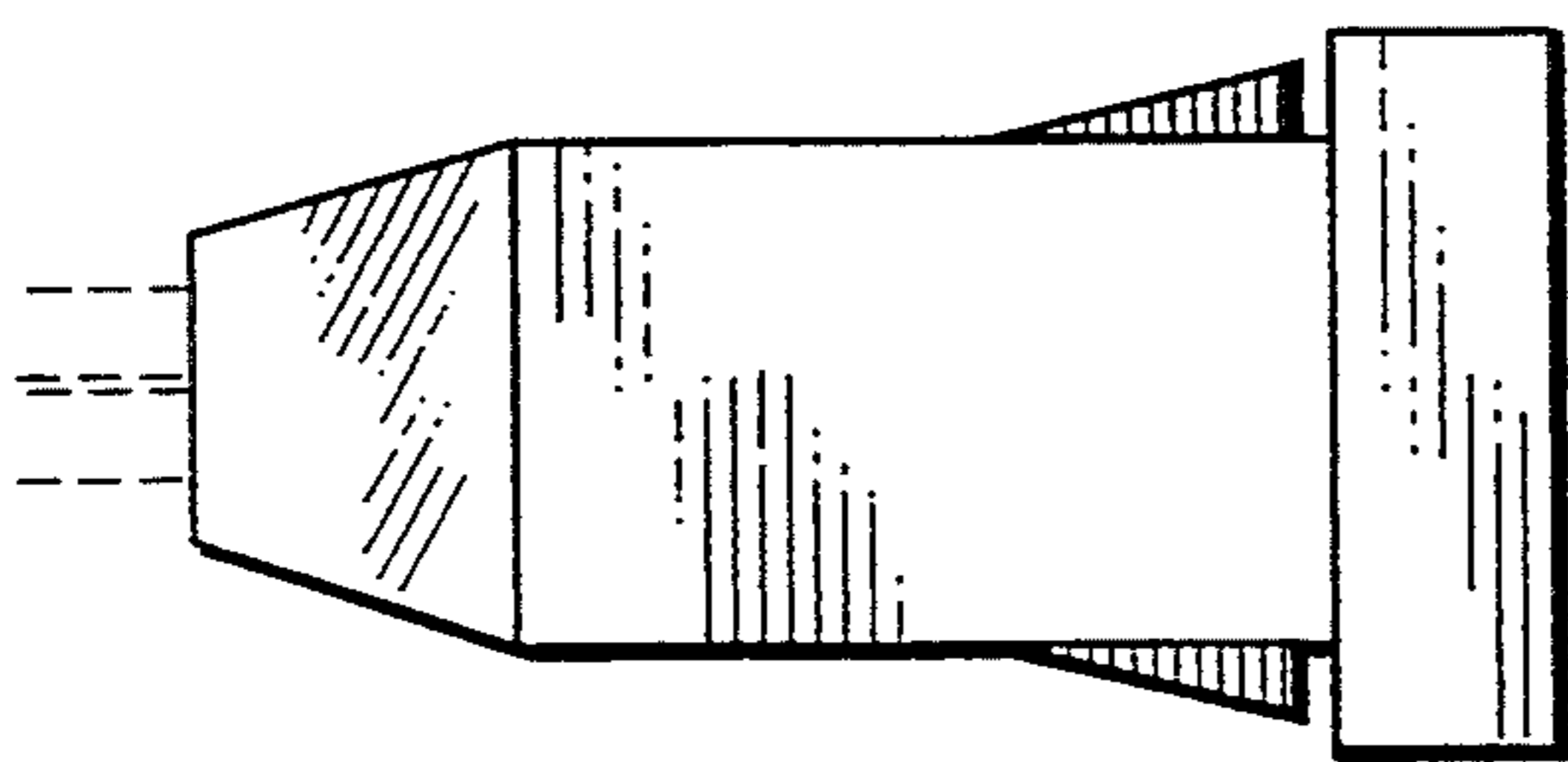


Fig. 10

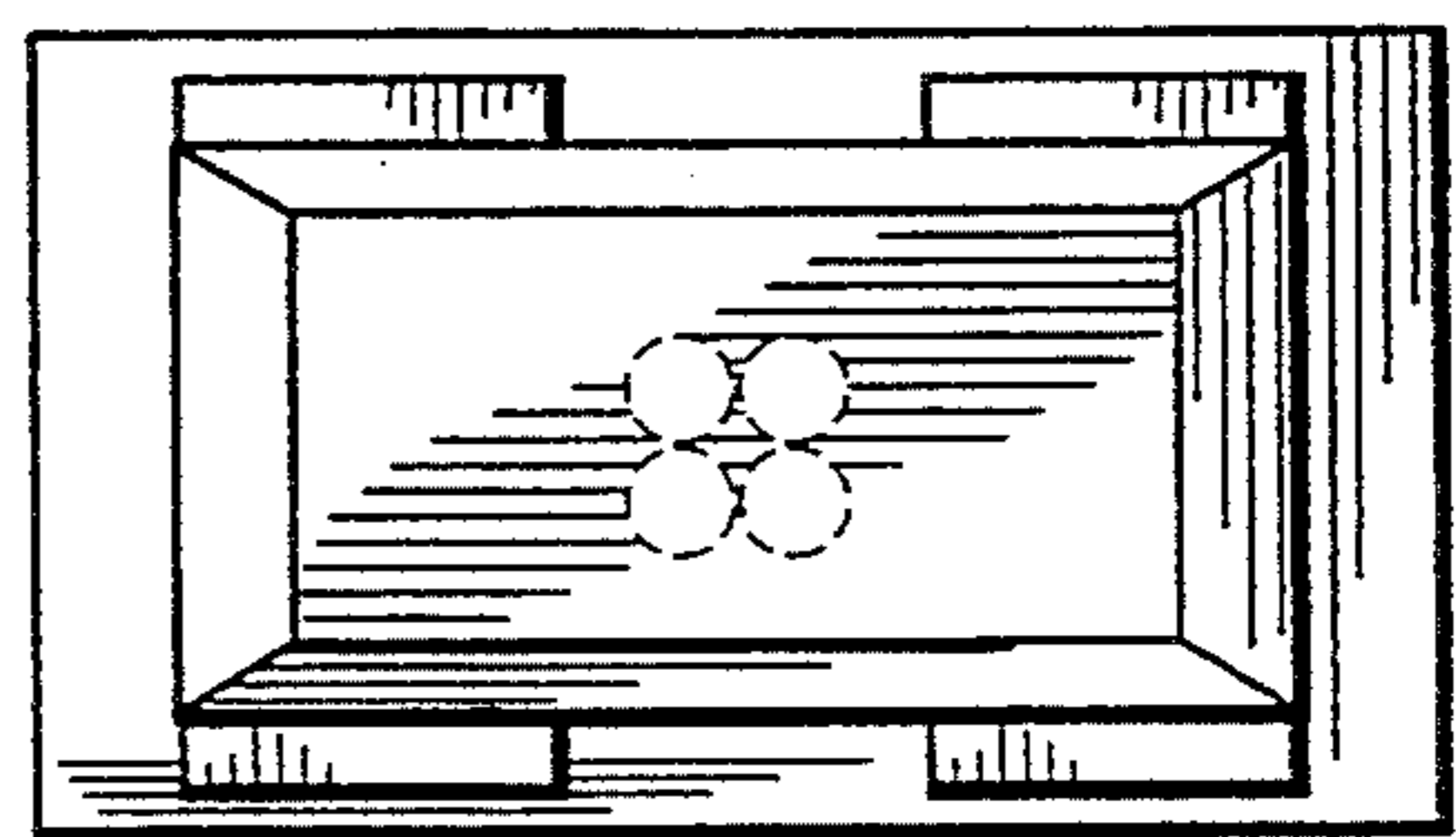


Fig. 11