



US00D360870S

# United States Patent [19]

[11] Patent Number: **Des. 360,870**

Huang

[45] Date of Patent: **\*\* Aug. 1, 1995**

[54] BATTERY CASE FOR DIVING USE

4,160,857 7/1979 Nardella et al. .... 429/97  
4,481,458 11/1984 Lane ..... 320/2

[76] Inventor: **Ming-Chou Huang**, No. 16, Lane 43,  
Hua Cheng Road, Hsin Chuang,  
Taipei Hsien, Taiwan

*Primary Examiner*—Joel Sincavage  
*Attorney, Agent, or Firm*—Jacobson, Price, Holman &  
Stern

[\*\*] Term: **14 Years**

[57] **CLAIM**

[21] Appl. No.: **20,067**

The ornamental design for a battery case for diving use,  
as shown and described.

[22] Filed: **Mar. 18, 1994**

[52] U.S. Cl. .... **D13/103**

### DESCRIPTION

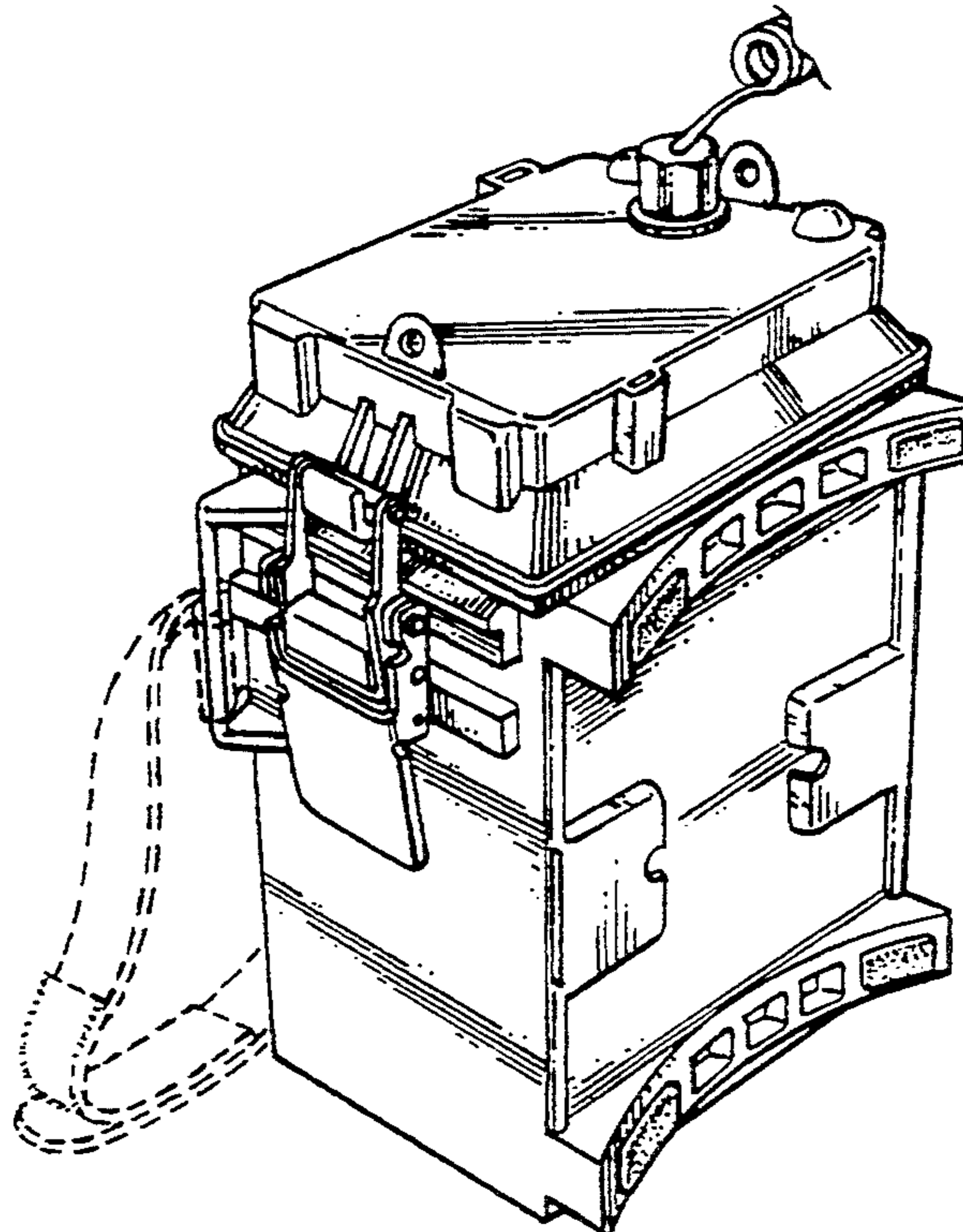
[58] Field of Search ..... D13/103, 106, 119;  
206/333; 429/96, 97, 98, 99, 100, 121, 163, 176,  
185, 187; 320/2

FIG. 1 is a perspective view of a battery case for diving use. The broken line showing of the belt in FIG. 1 is included for the purpose of illustrating enviromental structure only, and forms no part of the claimed design; FIG. 2 is a front elevational view thereof; FIG. 3 is a rear elevational view thereof; FIG. 4 is a left side elevational view thereof; FIG. 5 is a right side elevational view thereof; FIG. 6 is a top plan view thereof; and, FIG. 7 is a bottom plan view thereof.

### [56] References Cited

#### U.S. PATENT DOCUMENTS

- |            |         |                |       |         |
|------------|---------|----------------|-------|---------|
| D. 186,248 | 9/1959  | Parker         | ..... | D13/103 |
| D. 186,713 | 11/1959 | Roth           | ..... | D13/103 |
| D. 310,509 | 9/1990  | Fushiya et al. | ..... | D13/103 |
| 3,791,857  | 2/1974  | Koehler        | ..... | 429/97  |



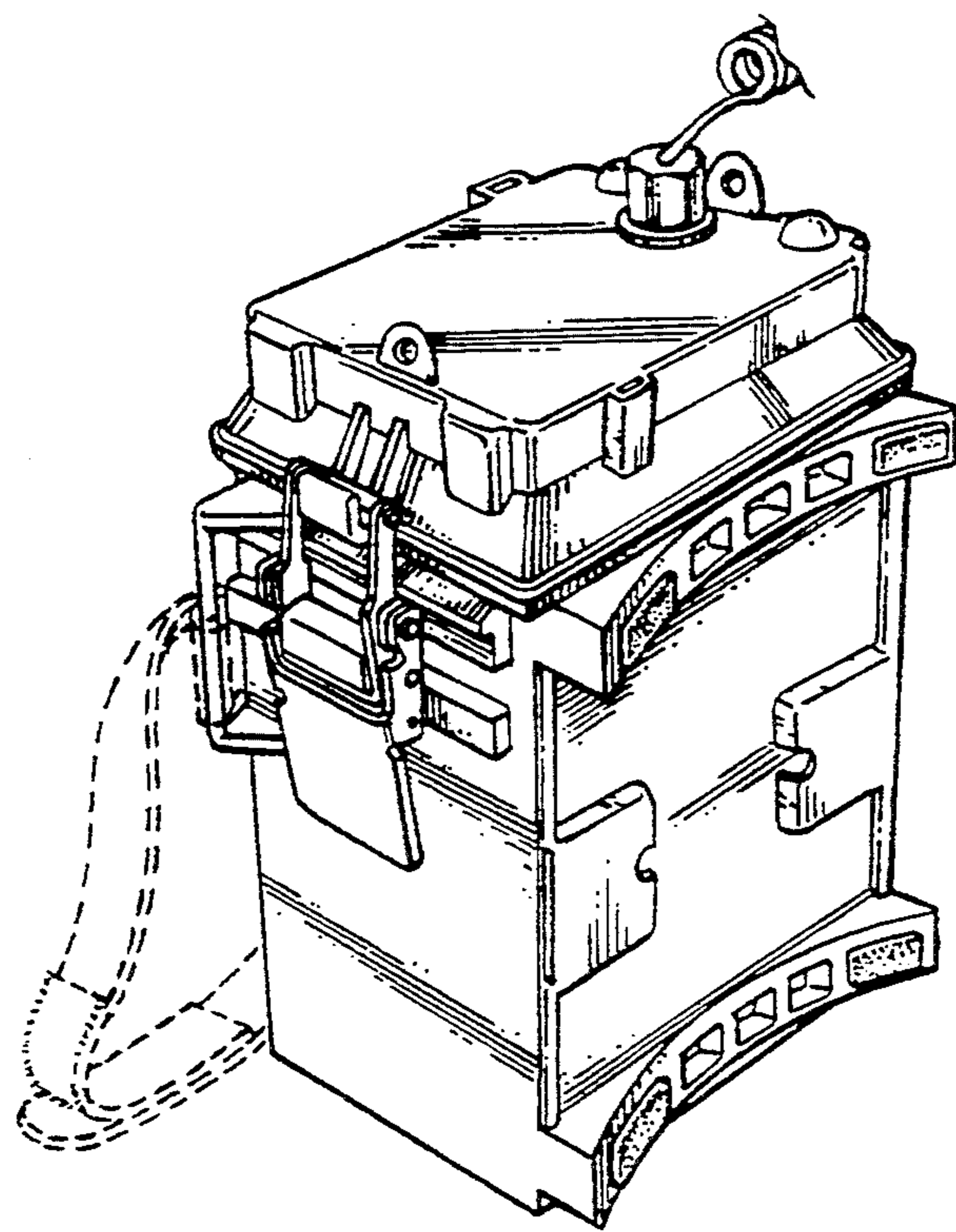


FIG 1

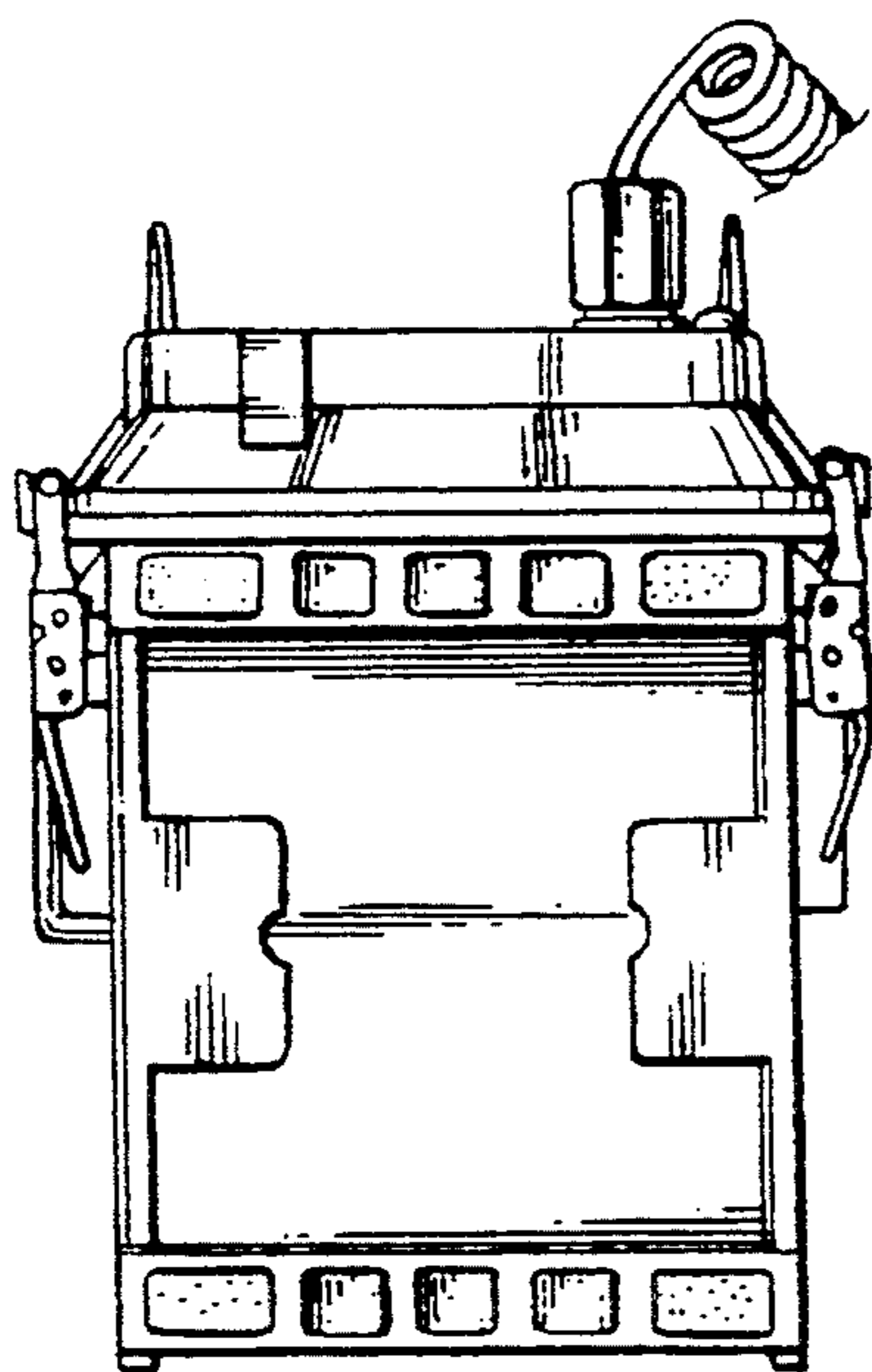


FIG 2

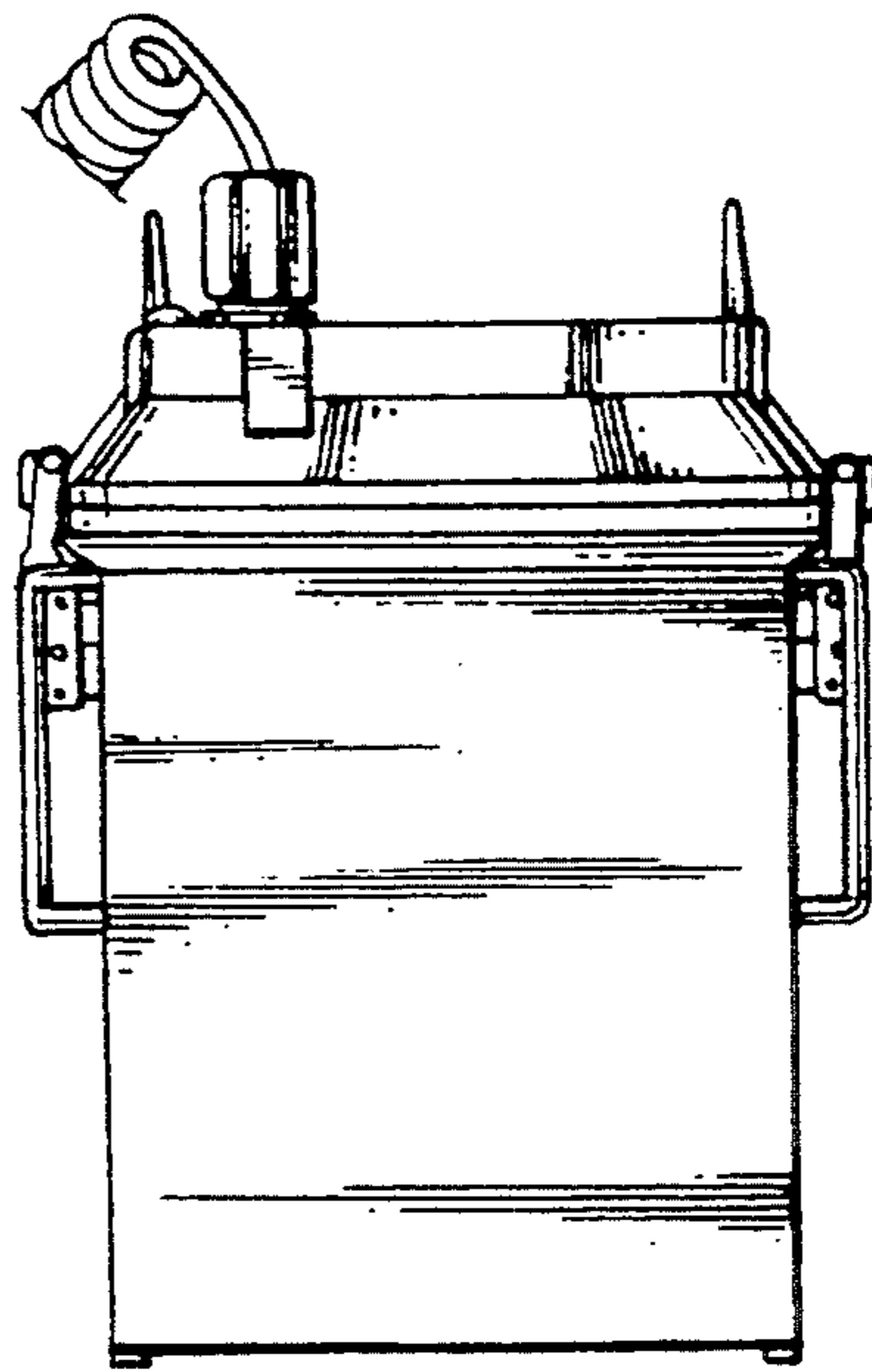


FIG 3

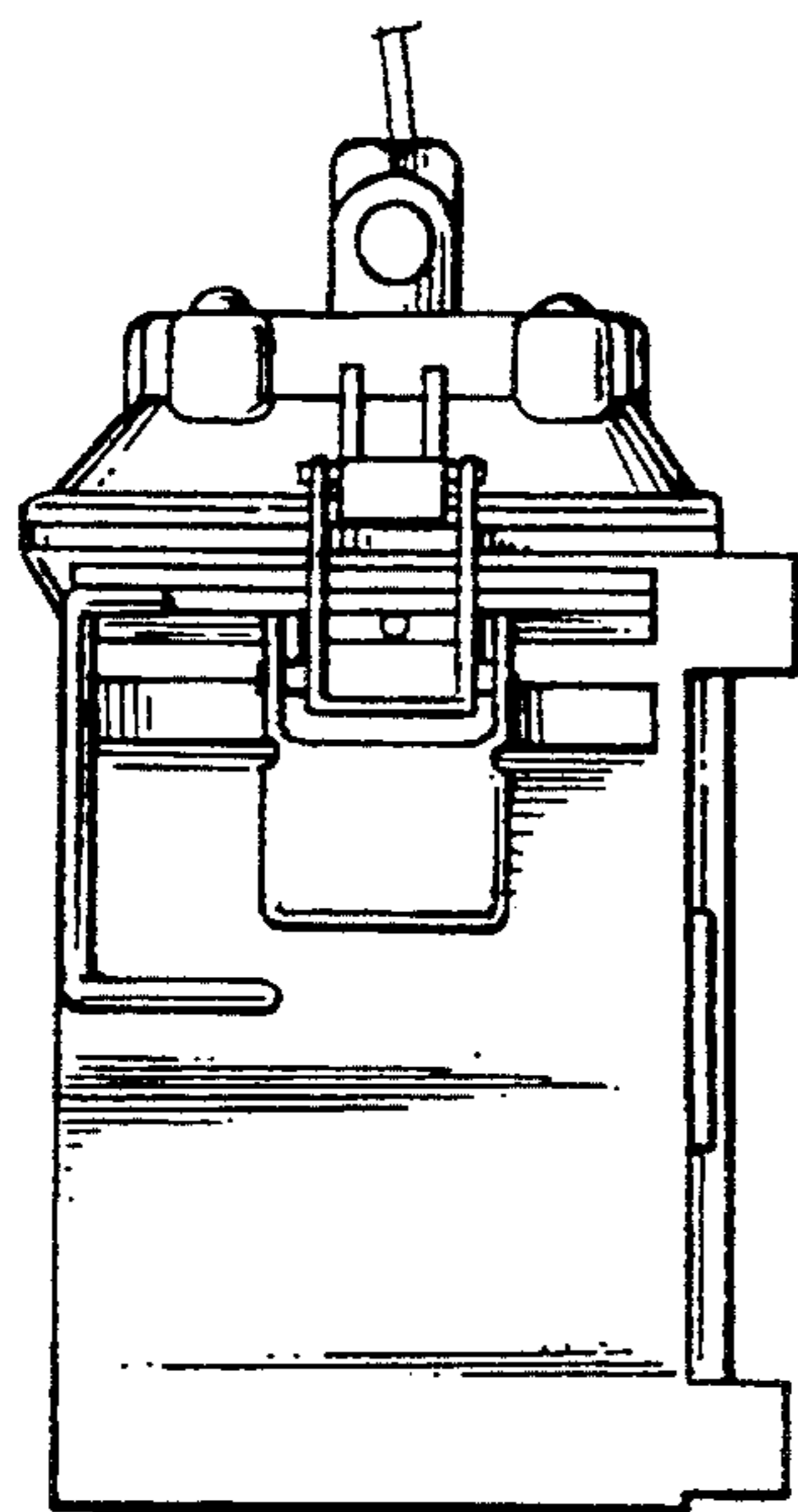


FIG 4

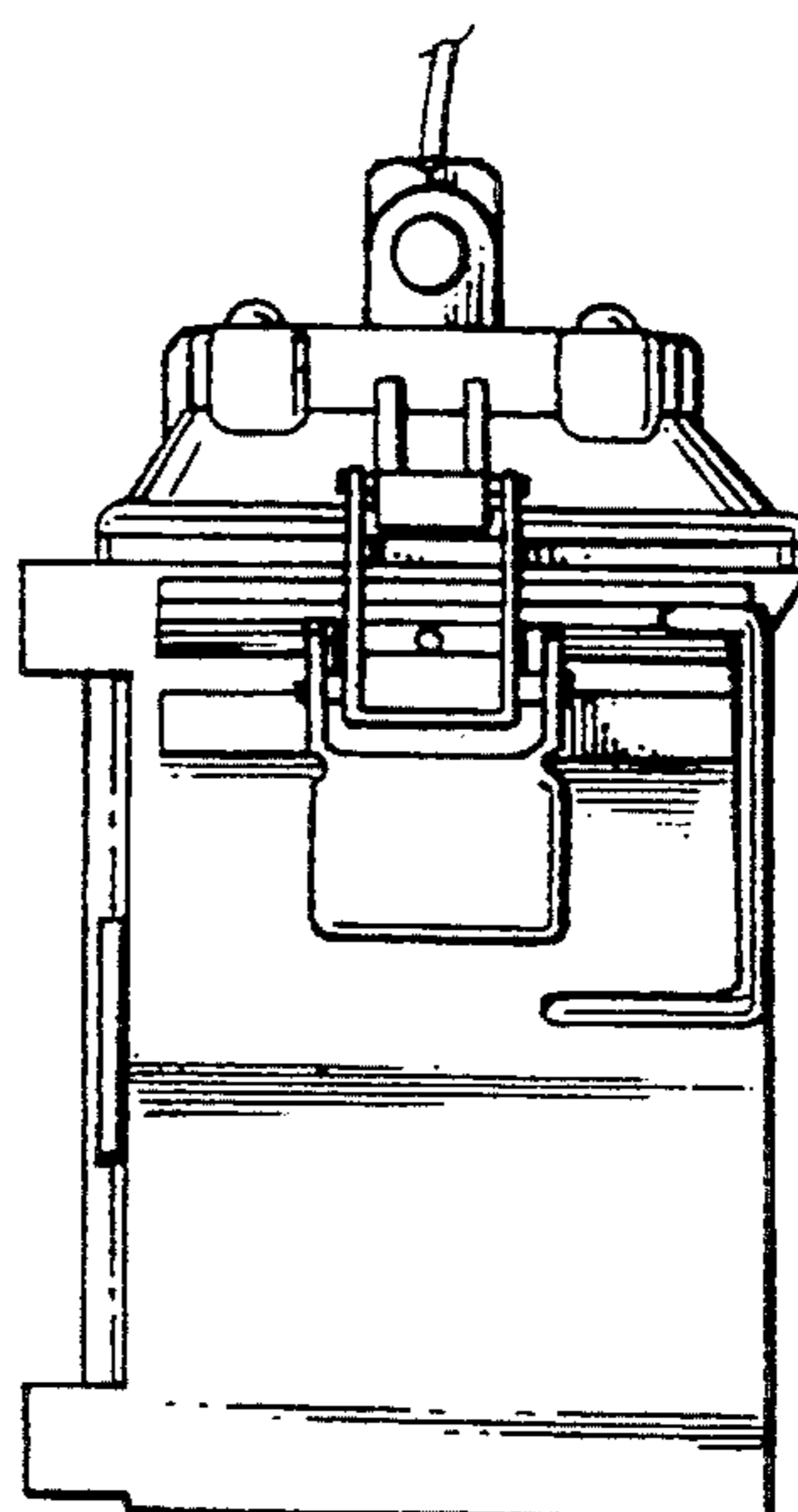


FIG 5

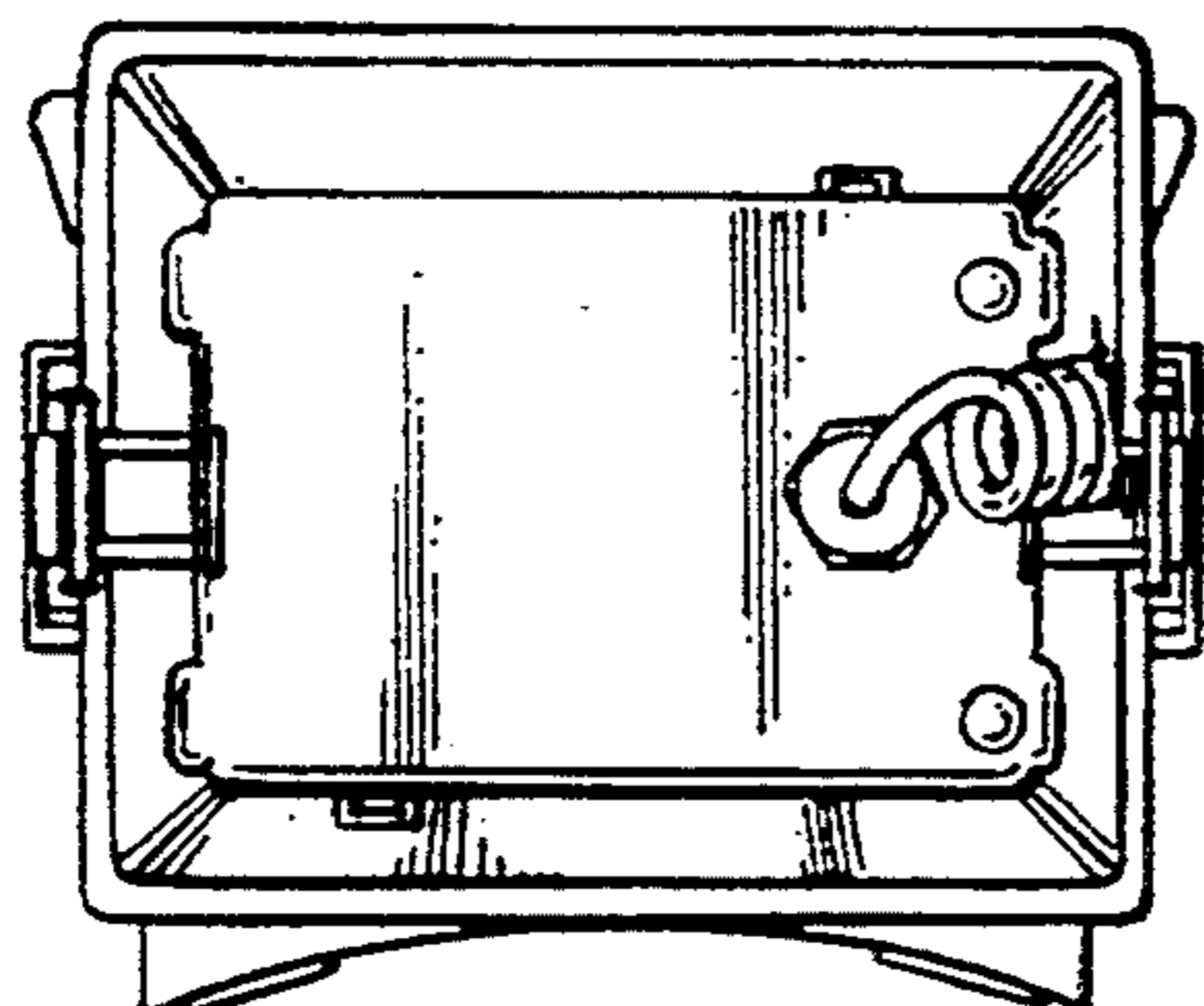


FIG 6

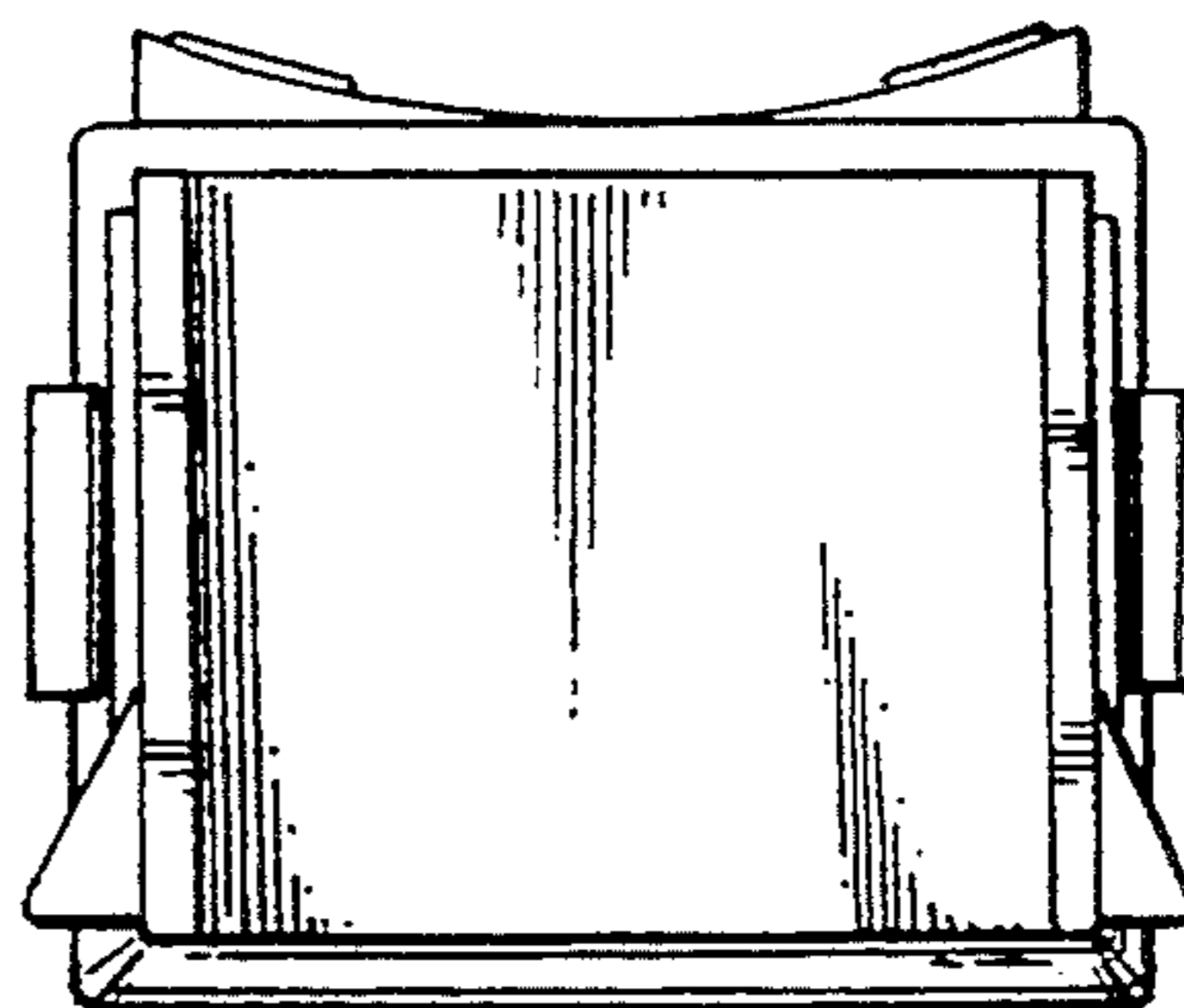


FIG 7