



US00D360854S

United States Patent [19]
Collins

[11] **Patent Number: Des. 360,854**

[45] **Date of Patent: ** Aug. 1, 1995**

[54] **COMBINATION ZIPPER AND TELEPHONE DIALING MANIPULATOR**

[76] **Inventor: Floyd W. Collins, 106 Collins Rd., Morganton, Ga. 30560**

[**] **Term: 14 Years**

[21] **Appl. No.: 28,175**

[22] **Filed: Sep. 8, 1994**

[52] **U.S. Cl. D11/221**

[58] **Field of Search D11/200, 221; 24/381, 24/385, 415-417, 427-431; 70/456; 264/252**

[56] **References Cited**

U.S. PATENT DOCUMENTS

- D. 311,158 10/1990 Soule D11/221
- D. 321,333 11/1991 Soule D11/221
- D. 324,663 3/1992 Ebata D11/221

D. 325,182 4/1992 Terada et al. D11/221

Primary Examiner—Ralf T. Seifert
Attorney, Agent, or Firm—Rodgers & Rodgers

[57] **CLAIM**

The ornamental design for a combination zipper and telephone dialing manipulator, as shown and described.

DESCRIPTION

FIG. 1 is a perspective view of a combination zipper and telephone dialing manipulator showing my new design;

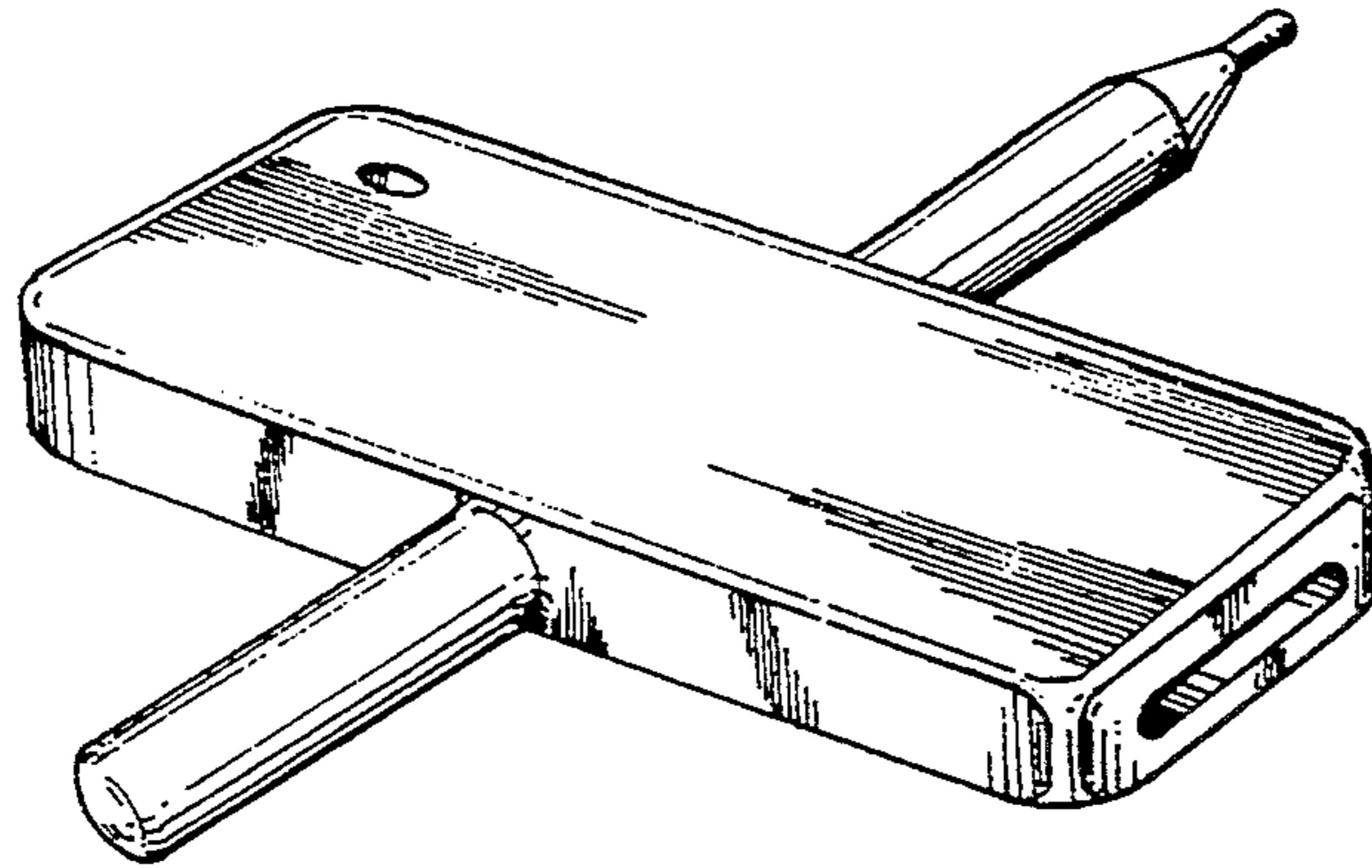
FIG. 2 is a top plan view thereof, the bottom being a mirror image thereof;

FIG. 3 is a left side elevational view thereof;

FIG. 4 is a right side elevational view thereof;

FIG. 5 is a front elevational view thereof; and,

FIG. 6 is a rear elevational view thereof.



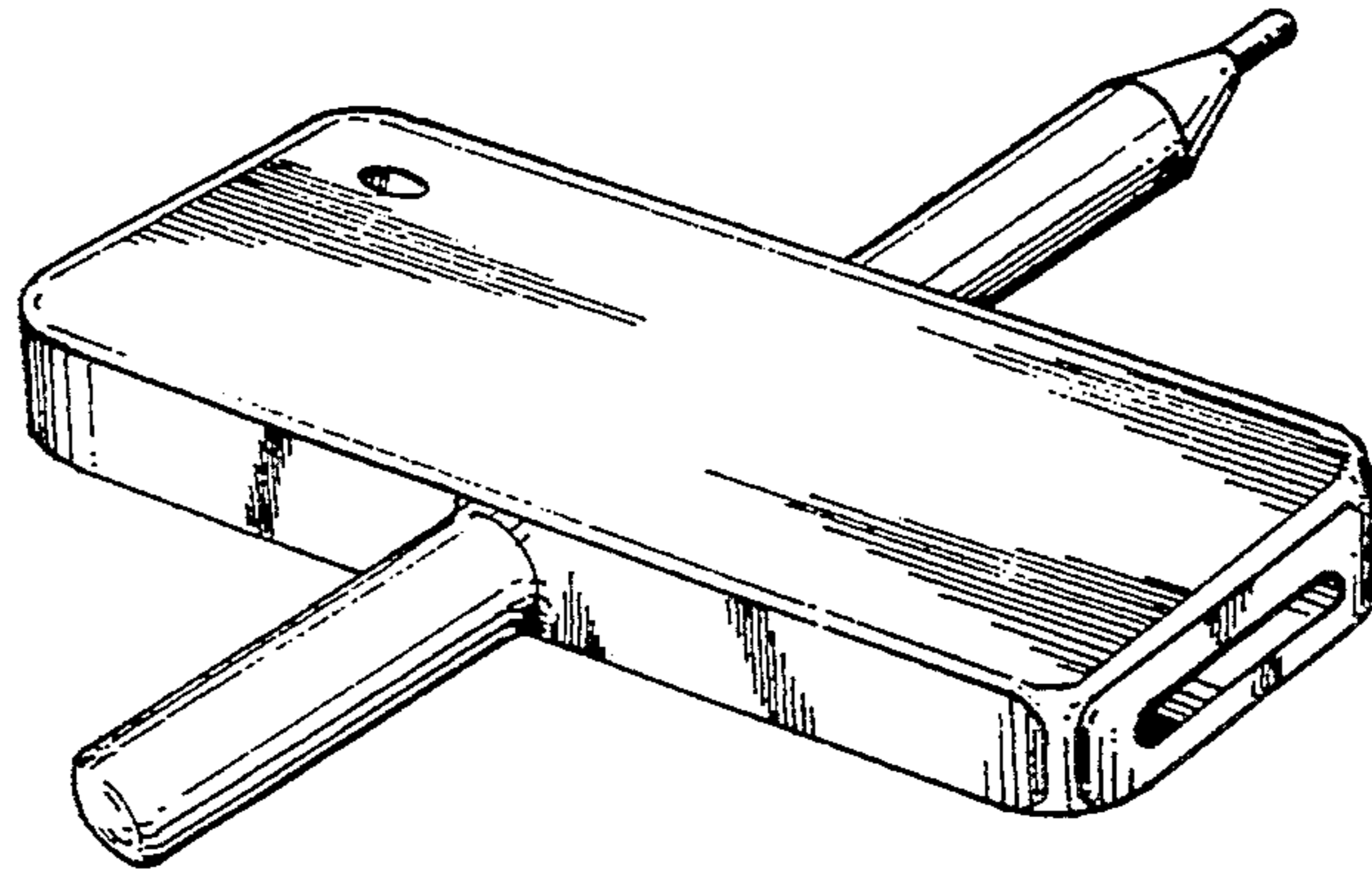


FIG. 1

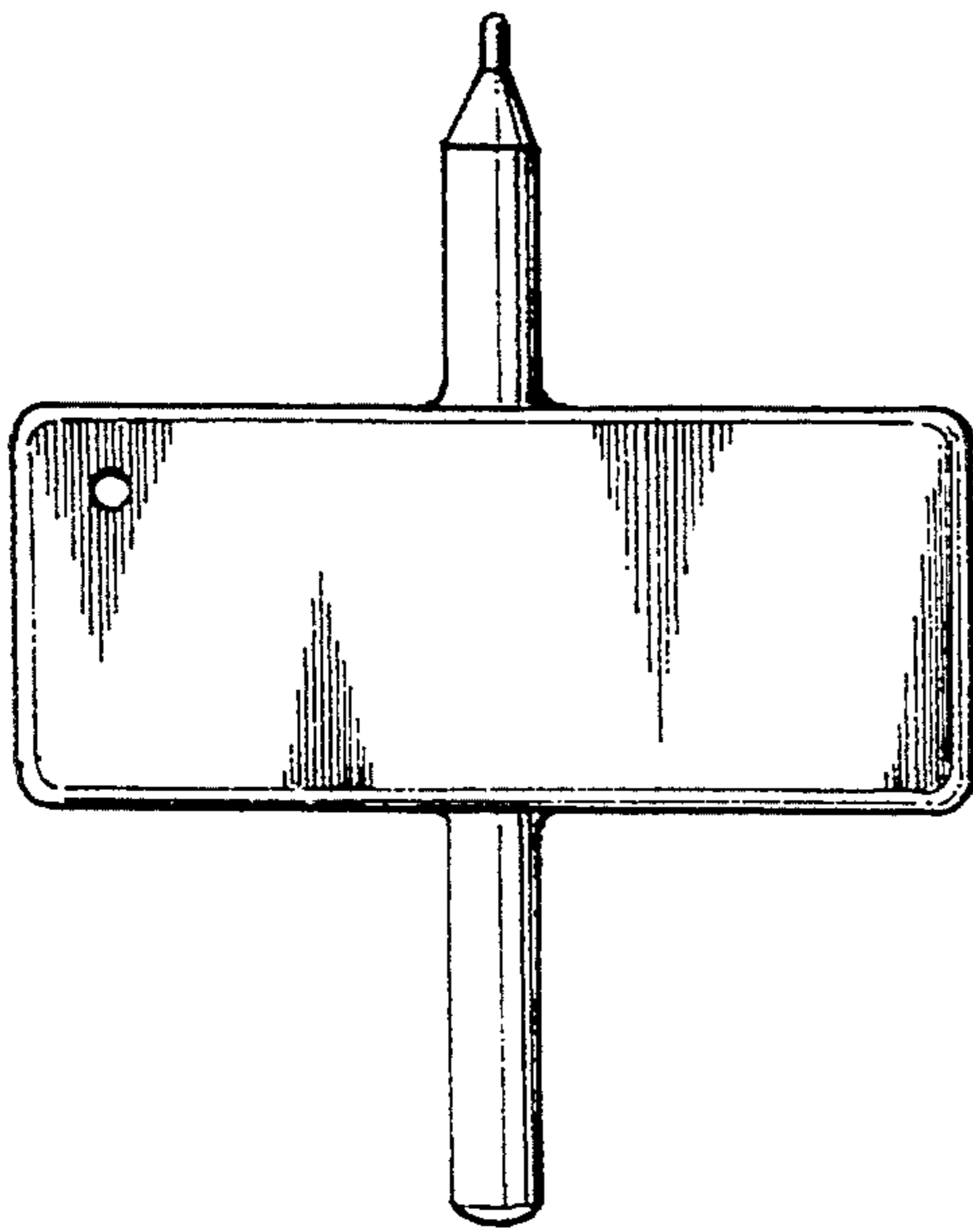


FIG. 2



FIG. 3



FIG. 4



FIG. 5



FIG. 6