



US00D360852S

# United States Patent [19]

[11] Patent Number: **Des. 360,852**

Weder et al.

[45] Date of Patent: **\*\* Aug. 1, 1995**

[54] **FLOWER POT COVER WITH FINS**

[75] Inventors: **Donald E. Weder; Joseph G. Straeter,**  
both of Highland, Ill.

[73] Assignee: **Highland Supply Corporation,**  
Highland, Ill.

[\*\*] Term: **14 Years**

[21] Appl. No.: **954,065**

[22] Filed: **Sep. 29, 1992**

4,510,712	4/1985	Whitcomb .....	47/66
4,712,725	12/1987	Moore .....	229/8
5,076,011	12/1991	Stehouwer .....	D11/164
5,117,584	6/1992	Ottenwalder et al. ....	47/72

**FOREIGN PATENT DOCUMENTS**

2489126	3/1982	France .....	47/72
2603159	4/1988	France .	

**OTHER PUBLICATIONS**

Exhibit A—Speed Cover ® Brochure—The Simple Solution . . . , ©1989.

*Primary Examiner*—Jeffrey Asch  
*Attorney, Agent, or Firm*—Dunlap & Coddling

[57] **CLAIM**

The ornamental design for a flower pot cover with fins, as shown and described.

**DESCRIPTION**

FIG. 1 is a reduced side elevational view of our new flower pot cover with fins design;  
 FIG. 2 is a sectional transverse view thereof;  
 FIG. 3 is a reduced bottom plan view thereof;  
 FIG. 4 is a reduced top plan view thereof;  
 FIG. 5 is a reduced top plan view of a second embodiment of the design of FIG. 1, the only difference being the shape of the opening;  
 FIG. 6 is a reduced top plan view of a third embodiment of the design of FIG. 1, the only difference being the shape of the opening;  
 FIG. 7 is a reduced top plan view of a fourth embodiment of the design of FIG. 1, the only difference being the shape of the opening;  
 FIG. 8 is a reduced side elevational view of a fifth embodiment of the design of FIG. 1, the only difference being the size of the base; and,  
 FIG. 9 is a reduced side elevational view of a sixth embodiment of the design of FIG. 1, the only difference being the size of the base.  
 The flower pot cover with fins has no substantial thickness.

**Related U.S. Application Data**

[63] Continuation-in-part of Ser. No. 781,453, Oct. 21, 1991, which is a continuation-in-part of Ser. No. 617,454, Nov. 21, 1990, abandoned, and a continuation-in-part of Ser. No. 411,249, Sep. 22, 1989, and a continuation-in-part of Ser. No. 411,249, Sep. 22, 1989, and a continuation-in-part of Ser. No. 411,247, Sep. 22, 1989, and a continuation-in-part of Ser. No. 411,245, Sep. 22, 1989.

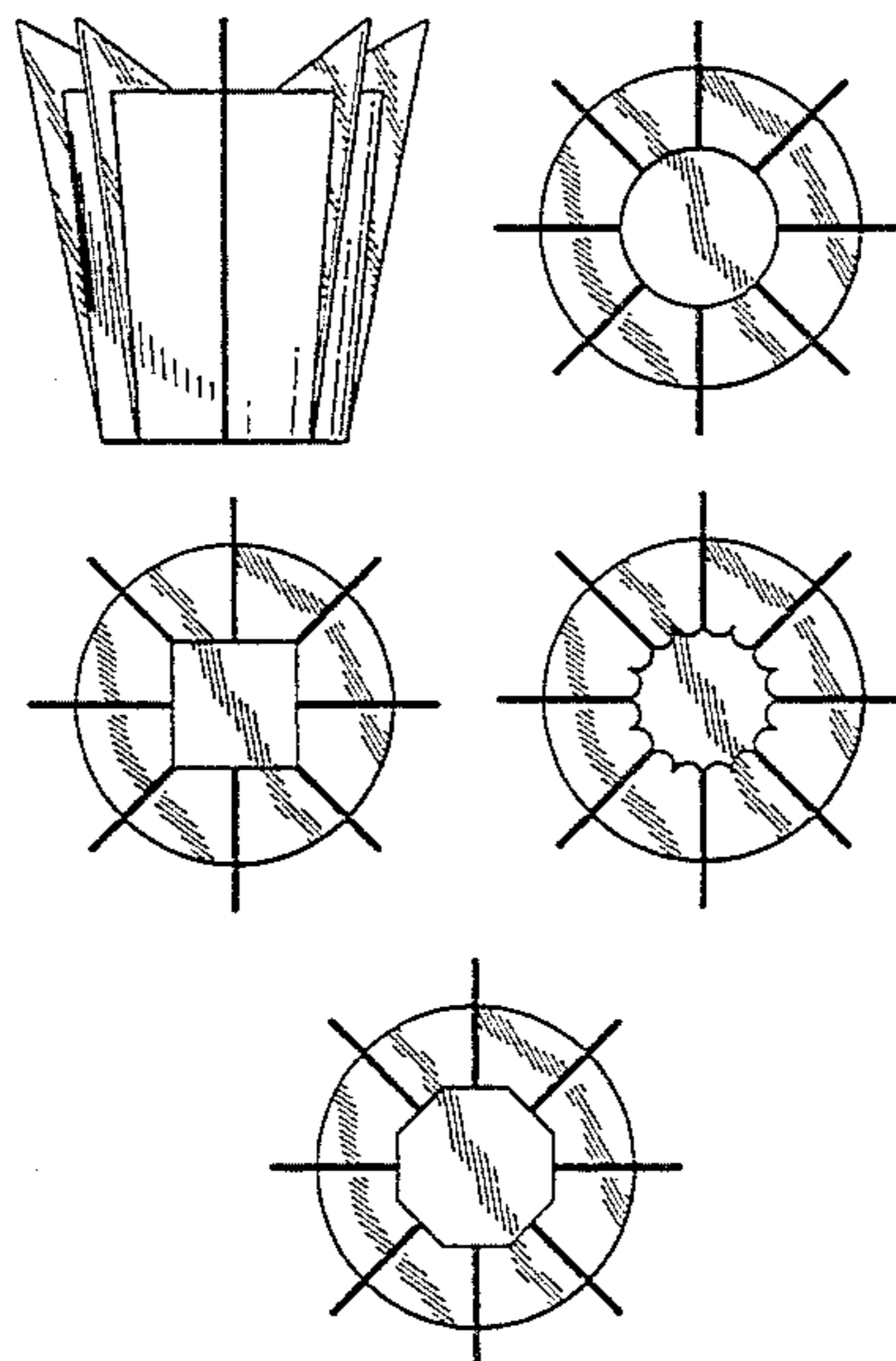
[52] **U.S. Cl.** ..... **D11/164; D11/152**

[58] **Field of Search** ..... **D11/143, 149, 152, 153, D11/154, 155, 156, 164; 47/66, 72; 206/423; 215/100.5; 229/1.5 B, 1.5 R, 4.5, 922, 930, 87.01; 428/27, 35.1, 542.6, 24**

[56] **References Cited**

**U.S. PATENT DOCUMENTS**

D. 173,003	9/1954	Yellin .....	D11/149 X
D. 207,174	3/1967	Rowbottam .....	D11/143
D. 239,192	3/1976	Wiles et al. ....	D35/3 A
D. 254,659	4/1980	Karotseris .....	D11/143
D. 323,795	2/1992	Weder .....	D12/152
D. 324,659	3/1992	Stehouwer .....	D11/164
D. 325,889	5/1992	Weder .....	D11/164 X
D. 326,246	5/1992	Weder .....	D11/152
D. 348,634	7/1994	Weder et al. ....	D11/164
1,714,293	5/1929	Batdorf .....	229/1.5 B
1,951,642	8/1932	Augustin et al. ....	47/34
3,181,764	5/1965	Lowry .....	229/1.5 R
4,043,077	8/1977	Stonehocker .....	47/66
4,347,686	9/1982	Wood .....	D11/143 X



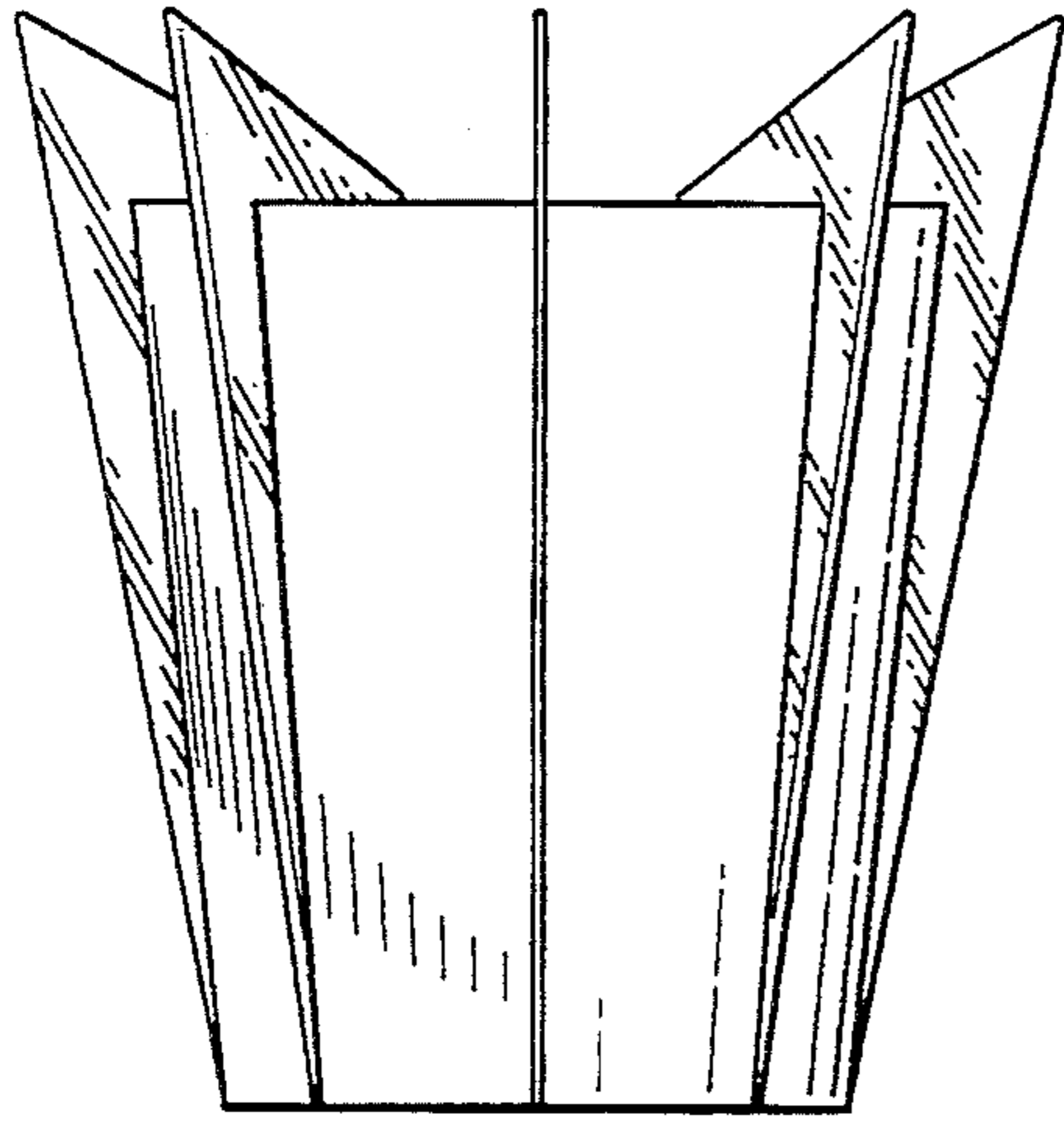


FIG. 1

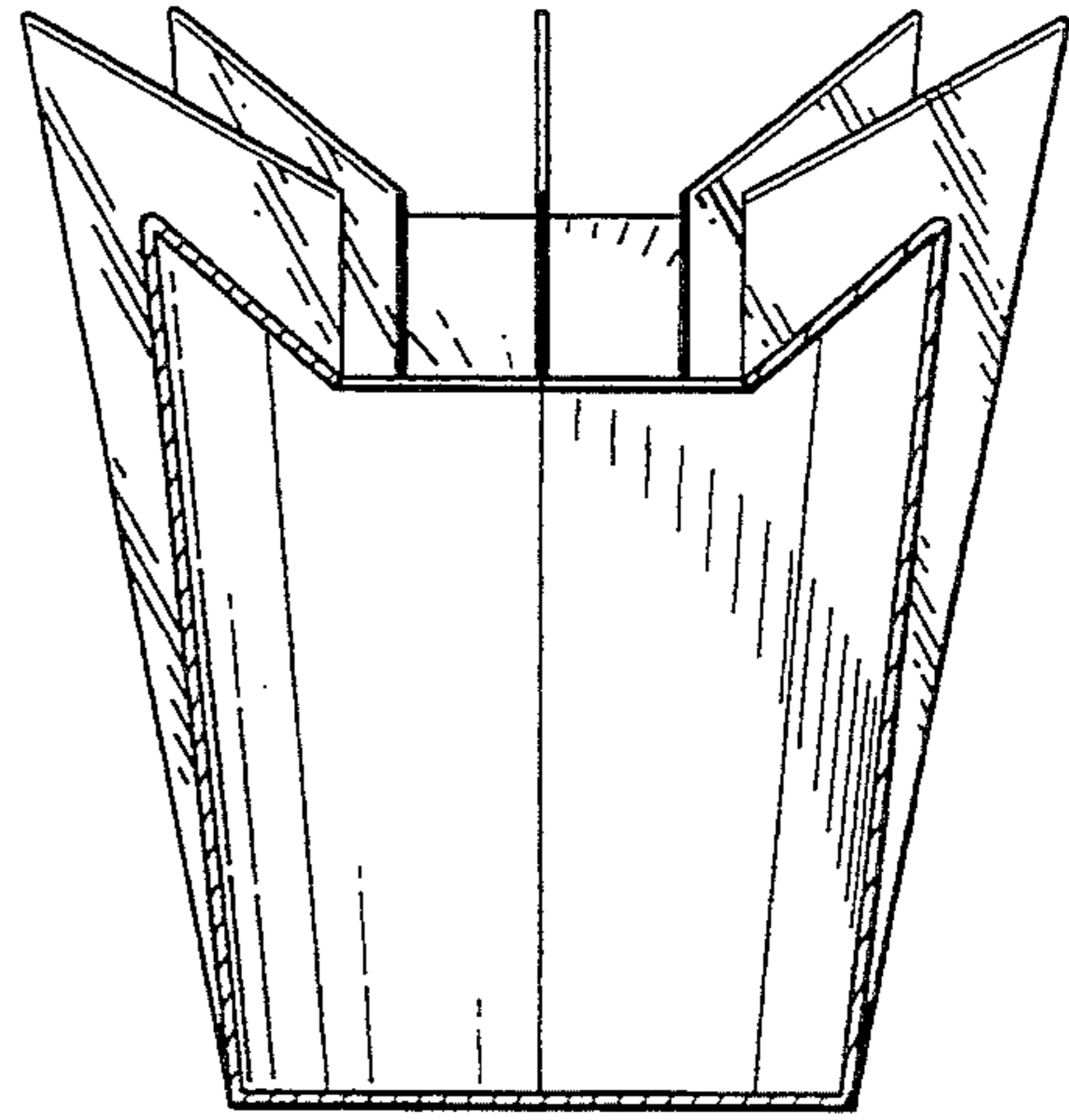


FIG. 2

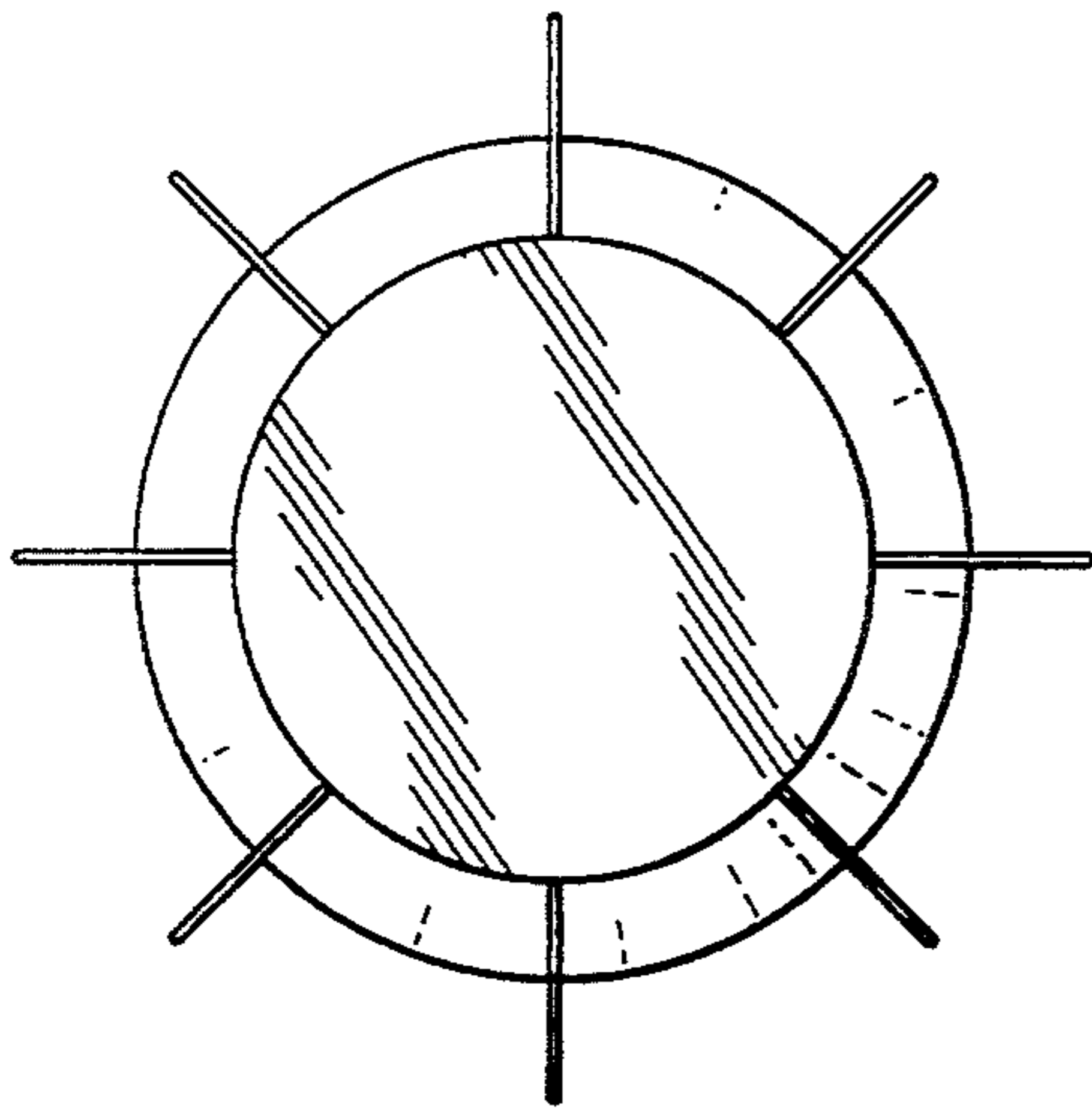


FIG. 3

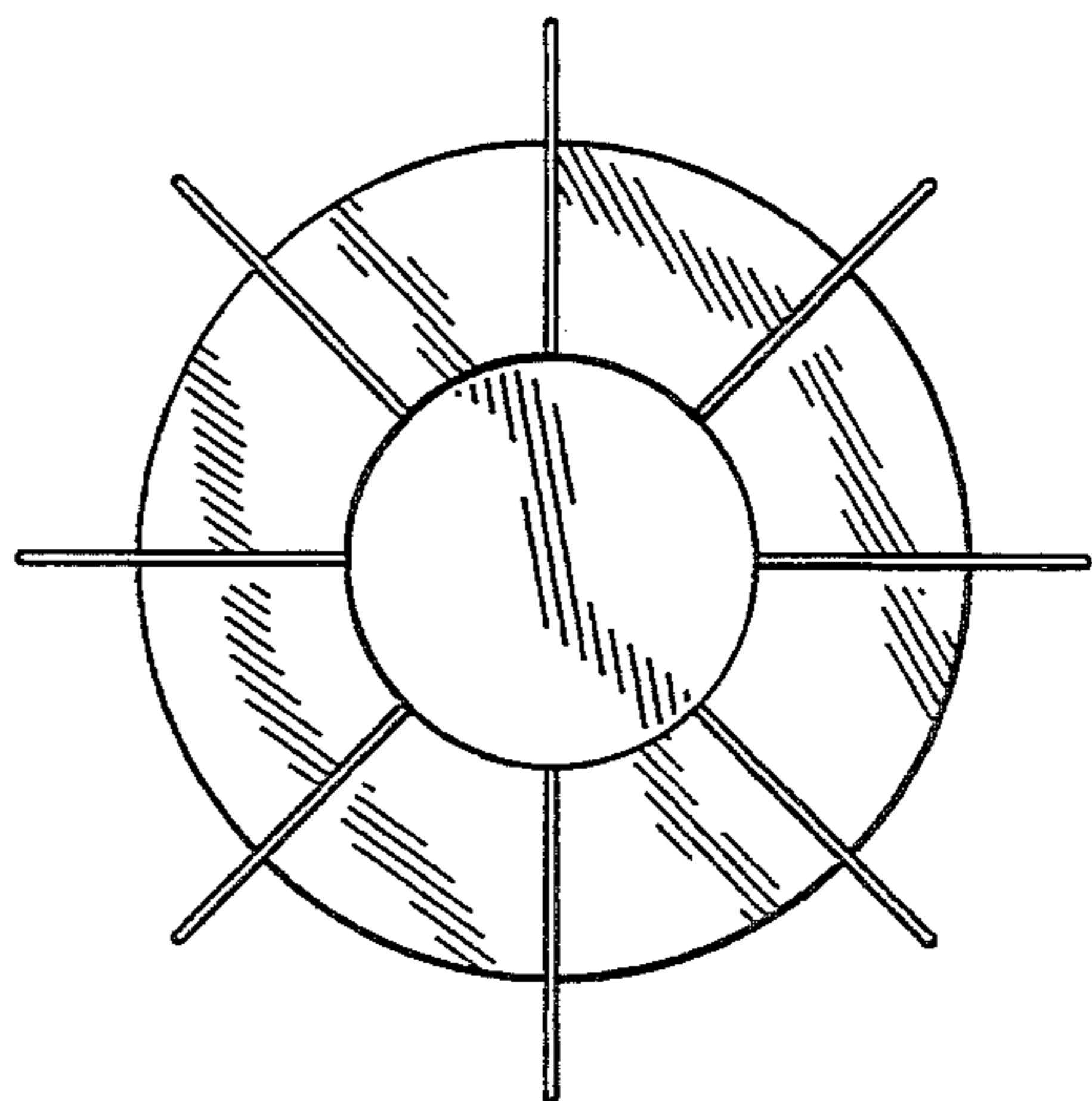


FIG. 4

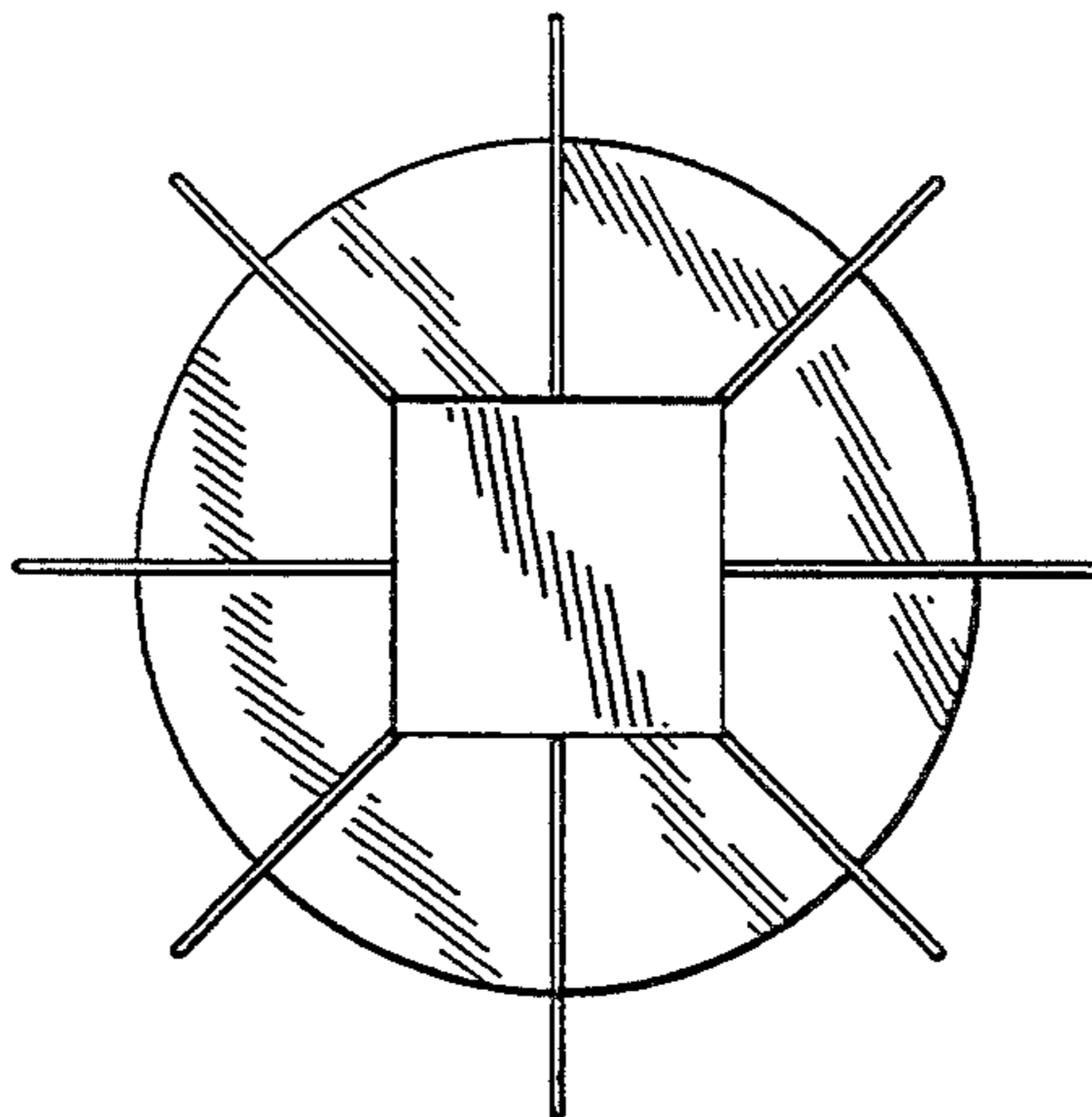
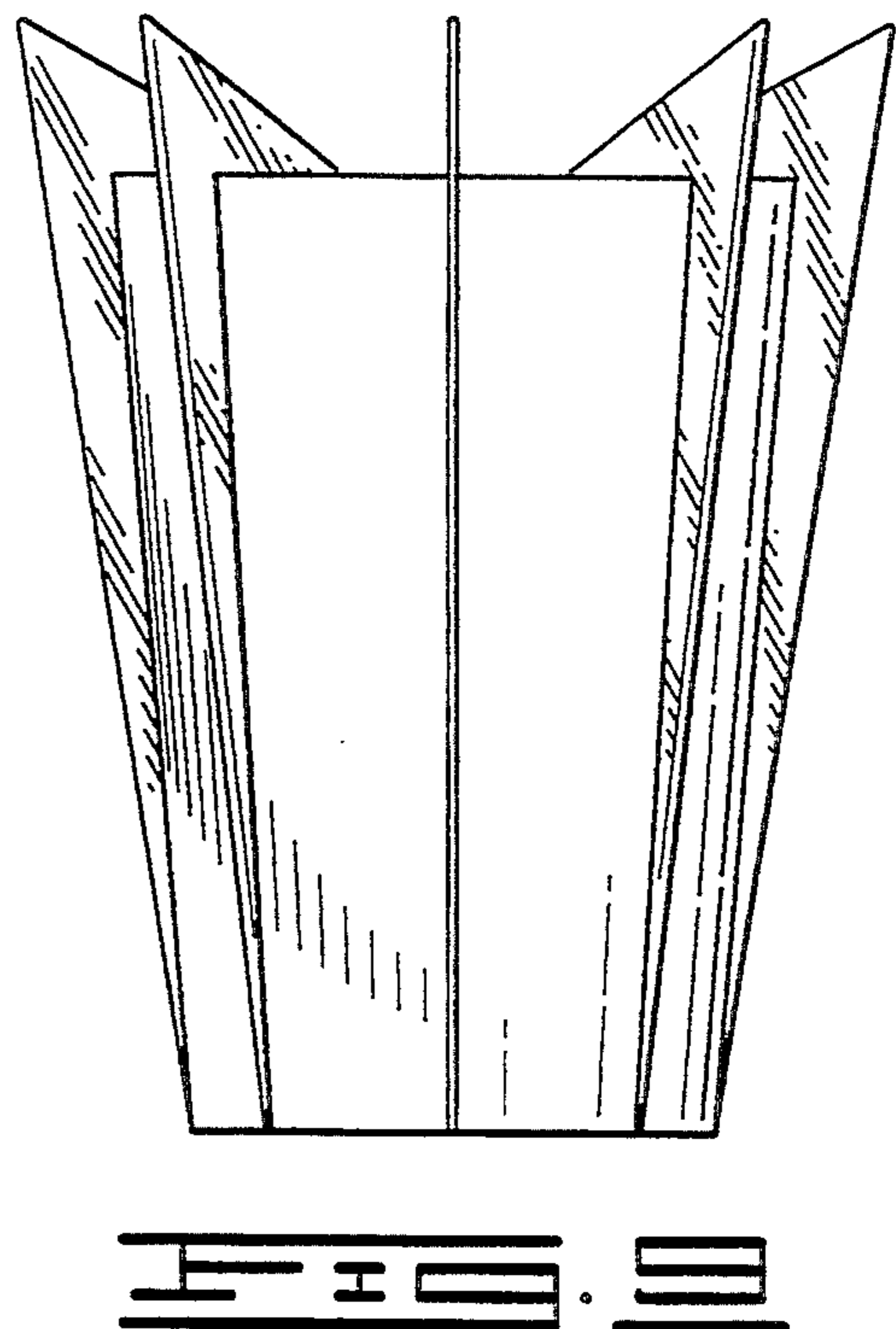
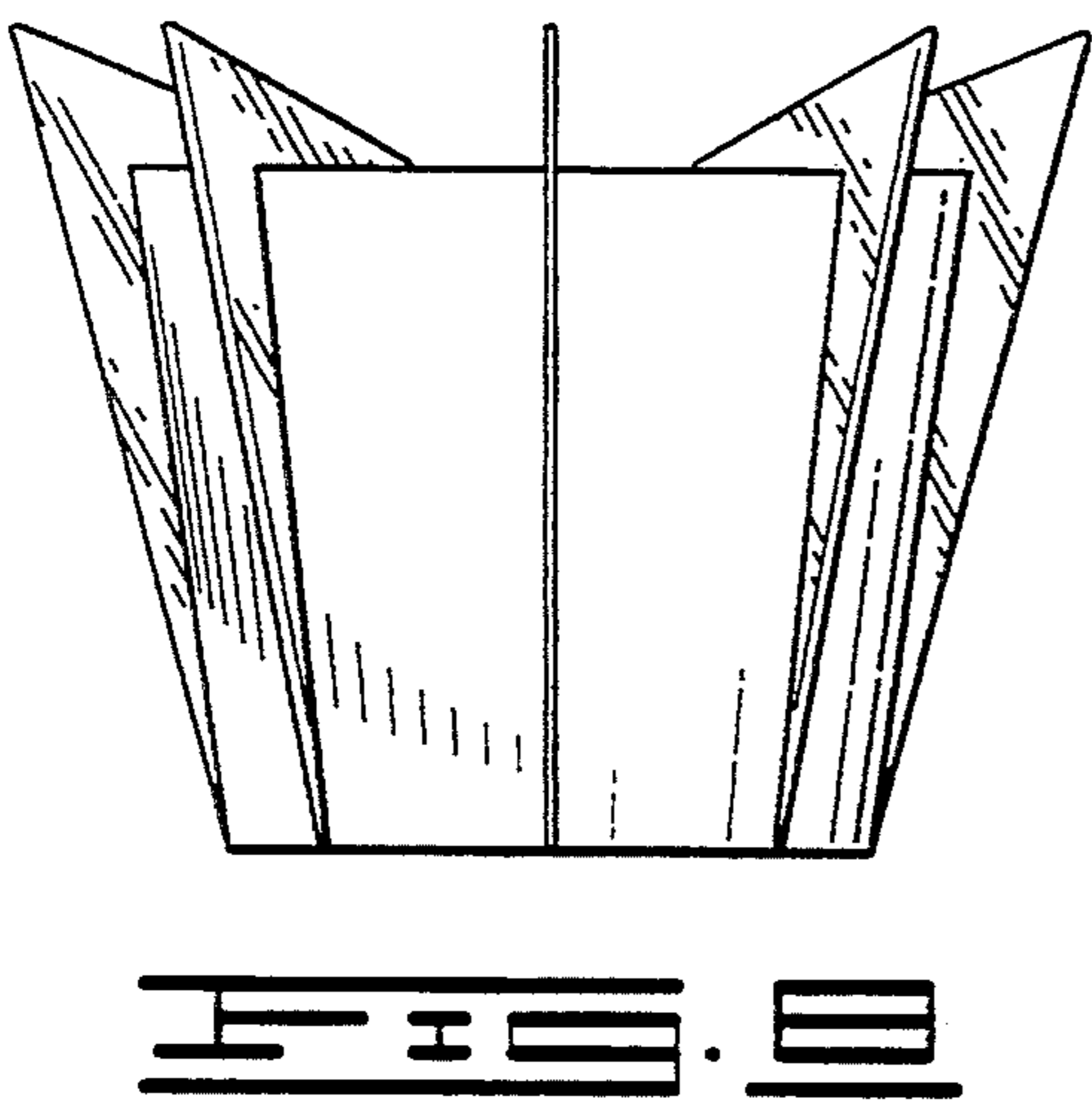
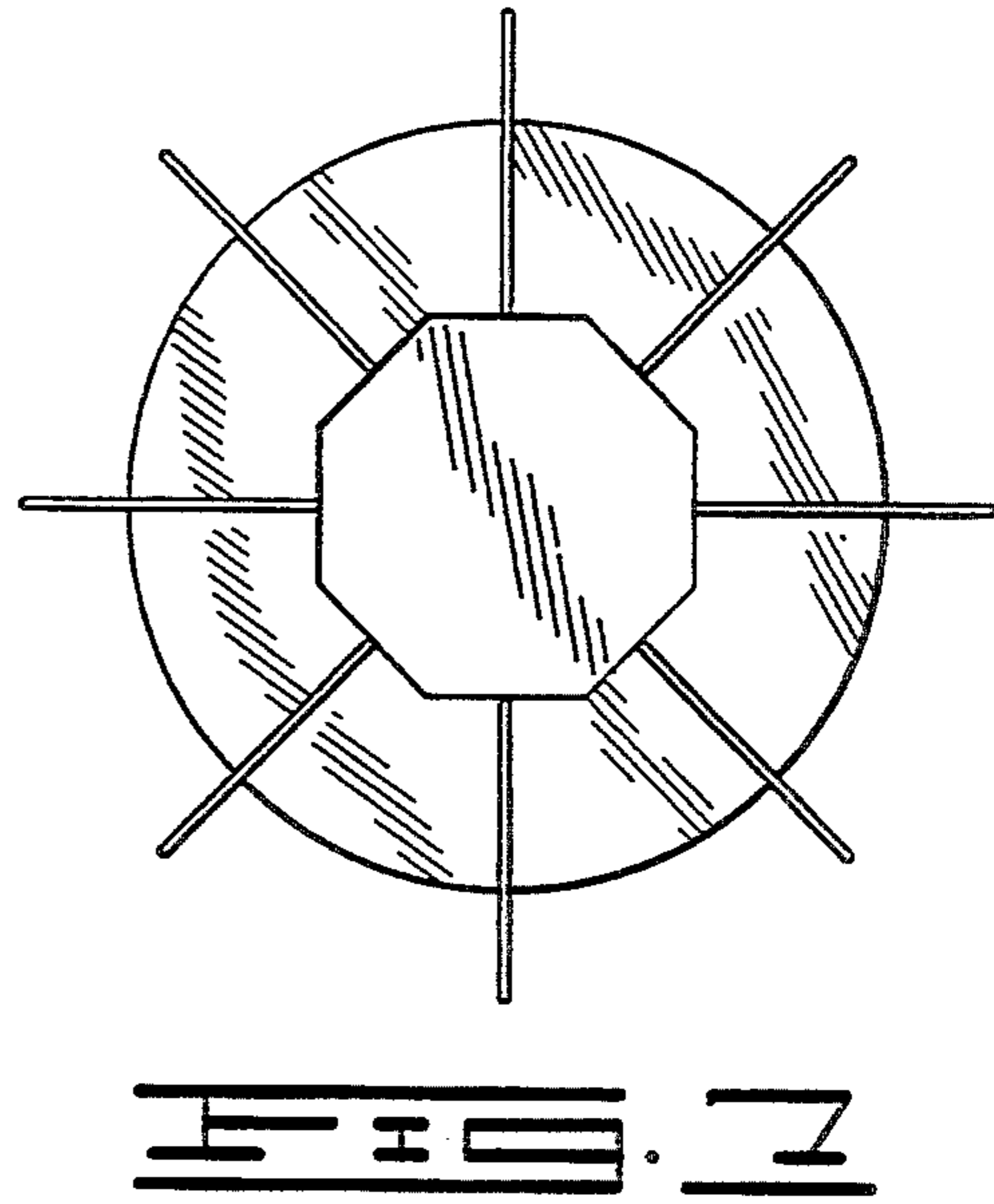
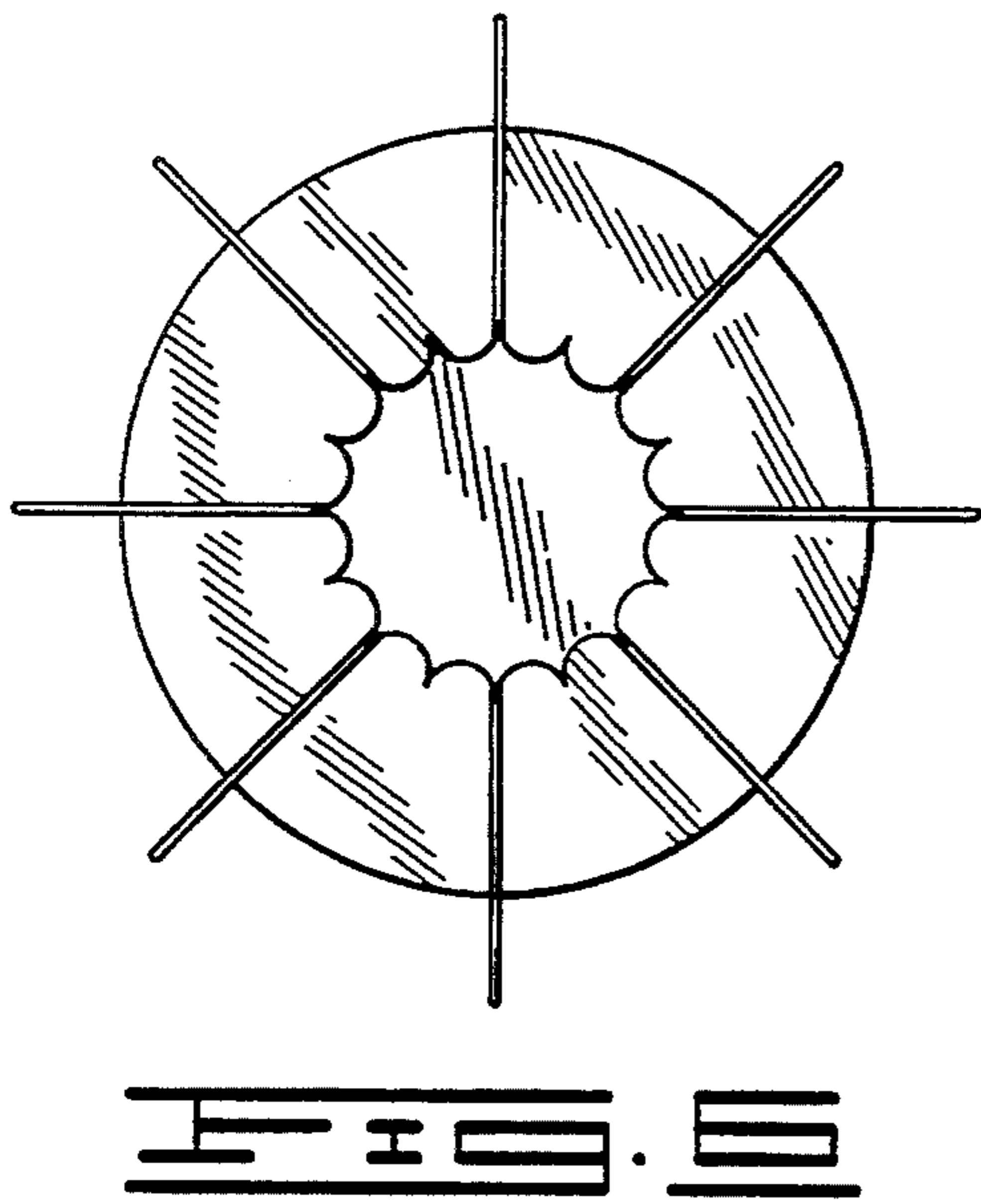


FIG. 5



UNITED STATES PATENT AND TRADEMARK OFFICE  
CERTIFICATE OF CORRECTION

PATENT NO. : Des. 360,852  
DATED : August 1, 1995  
INVENTOR(S) : Weder et al.

It is certified that error appears in the above-identified patent and that said Letters Patent is hereby corrected as shown below:

Cover page under Related U.S. Application Data, [63], lines 4-5, please delete "and a continuation-in-part of Ser. No. 411,249, Sep. 22, 1989," and substitute therefor --now U.S. Patent No. Des. 358,113--.

Signed and Sealed this  
Fourteenth Day of November, 1995

Attest:



BRUCE LEHMAN

Attesting Officer

Commissioner of Patents and Trademarks