



US00D360851S

United States Patent [19]

[11] Patent Number: **Des. 360,851**

Weder et al.

[45] Date of Patent: **** Aug. 1, 1995**

- [54] **FLOWER POT COVER WITH FINS**
- [75] Inventors: **Donald E. Weder; Joseph G. Straeter,**
both of Highland, Ill.
- [73] Assignee: **Highland Supply Corporation,**
Highland, Ill.
- [**] Term: **14 Years**
- [21] Appl. No.: **953,585**
- [22] Filed: **Sep. 29, 1992**

54,117,584	6/1992	Ottenwalder et al.	47/72
4,347,686	9/1982	Wood	D11/143 X
4,510,712	4/1985	Whitcomb	47/66
4,712,725	12/1987	Moore	229/8
5,076,011	12/1991	Stehouwer	47/72

FOREIGN PATENT DOCUMENTS

2489126	3/1982	France	47/72
2603159	4/1988	France	.

OTHER PUBLICATIONS

Exhibit A-Speed Cover  Brochure-The Simple Solution . . . , 1989.

Primary Examiner—Jeffrey Asch
Attorney, Agent, or Firm—Dunlap & Codding

[57] CLAIM

The ornamental design for a flower pot cover with fins, as shown and described.

DESCRIPTION

FIG. 1 is a reduced side elevational view of our new flower pot cover with fins design;
 FIG. 2 is a transverse sectional view thereof;
 FIG. 3 is a reduced bottom plan view thereof;
 FIG. 4 is a reduced top plan view thereof;
 FIG. 5 is a reduced top plan view of a second embodiment of the design of FIG. 1, the only difference being the shape of the opening;
 FIG. 6 is a reduced top plan view of a third embodiment of the design of FIG. 1, the only difference being the shape of the opening;
 FIG. 7 is a reduced top plan view of a fourth embodiment of the design of FIG. 1, the only difference being the shape of the opening;
 FIG. 8 is a reduced side elevational view of a fifth embodiment of the design of FIG. 1, the only difference being the size of the base; and,
 FIG. 9 is a reduced side elevational view of a sixth embodiment of the design of FIG. 1, the only difference being the size of the base.
 The flower pot cover with fins has no substantial thickness.

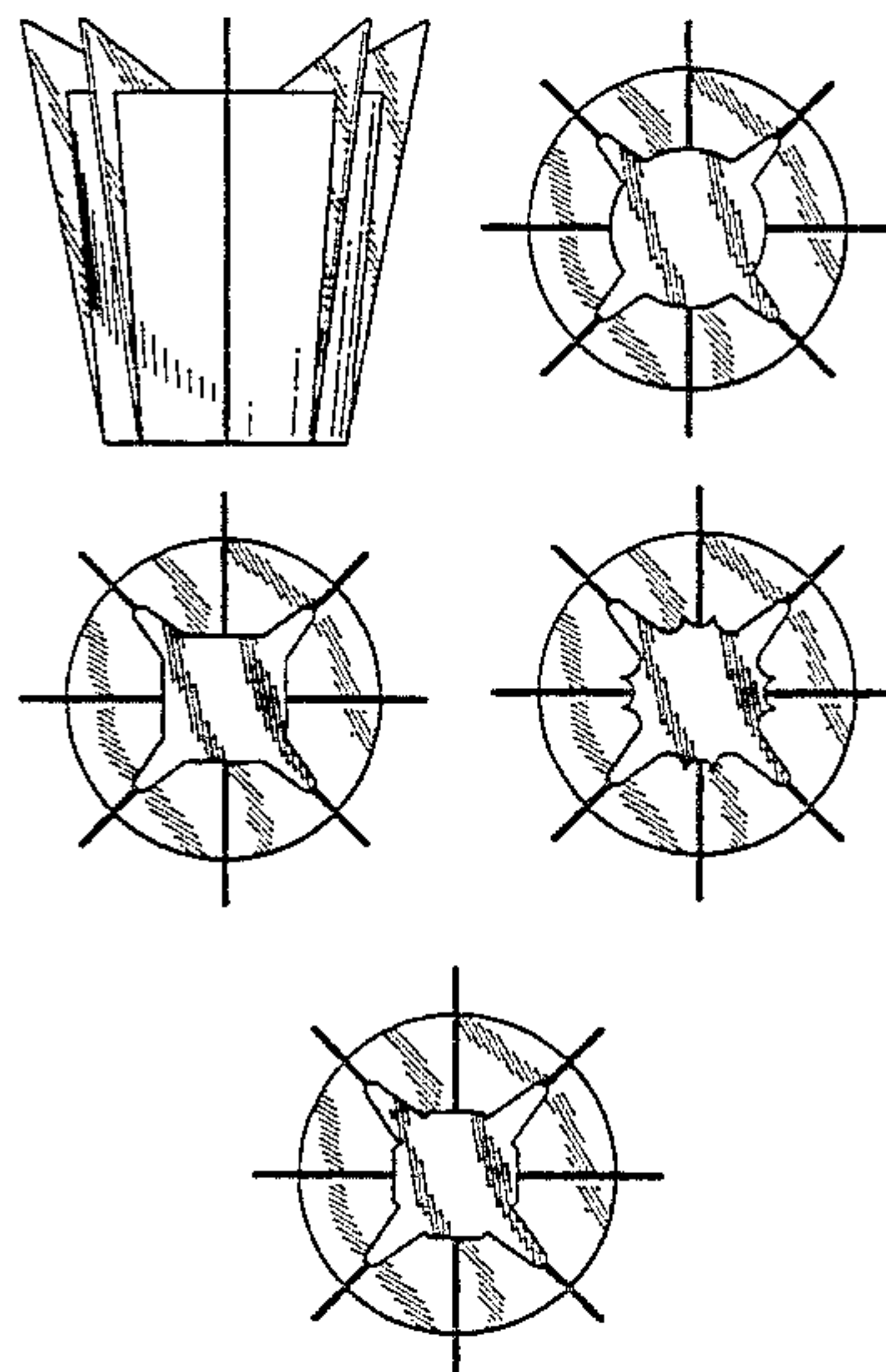
Related U.S. Application Data

- [63] Continuation-in-part of Ser. No. 781,453, Oct. 21, 1991, Pat. No. Des. 348,634, which is a continuation-in-part of Ser. No. 617,454, Nov. 21, 1990, abandoned, and a continuation-in-part of Ser. No. 411,249, Sep. 22, 1989, and a continuation-in-part of Ser. No. 411,247, Sep. 22, 1989, and a continuation-in-part of Ser. No. 411,245, Sep. 22, 1989.
- [52] U.S. Cl. **D11/164; D11/152**
- [58] Field of Search **D11/143, 149, 152-156, D11/164; 47/66, 72; 206/423; 215/100.5; 229/1.5 B, 1.5 R, 4.5, 922, 930, 87.01; 428/27, 35.1, 24, 542.6**

References Cited

U.S. PATENT DOCUMENTS

D. 173,003	9/1954	Yellin	D11/149 X
D. 207,174	3/1967	Rowbottam	D11/143
D. 239,192	3/1976	Wiles et al.	D35/3 A
D. 254,659	4/1980	Karotseris	D11/143
D. 316,985	5/1991	Weder	D11/164
D. 317,582	6/1991	Weder	D11/164
D. 324,659	3/1992	Stehouwer	D11/164
D. 324,833	3/1992	Weder	D11/164 X
D. 326,246	5/1992	Weder	D11/143
D. 327,236	6/1992	Weder	D11/164 X
D. 327,664	7/1992	Weder	D11/152
D. 348,634	7/1994	Weder et al.	D11/164
1,714,293	5/1929	Batdorf	229/1.5 B
1,951,642	8/1932	Augustin et al.	47/34
3,181,764	5/1965	Lowry	229/1.5 R
4,043,077	8/1977	Stonehocker	47/66



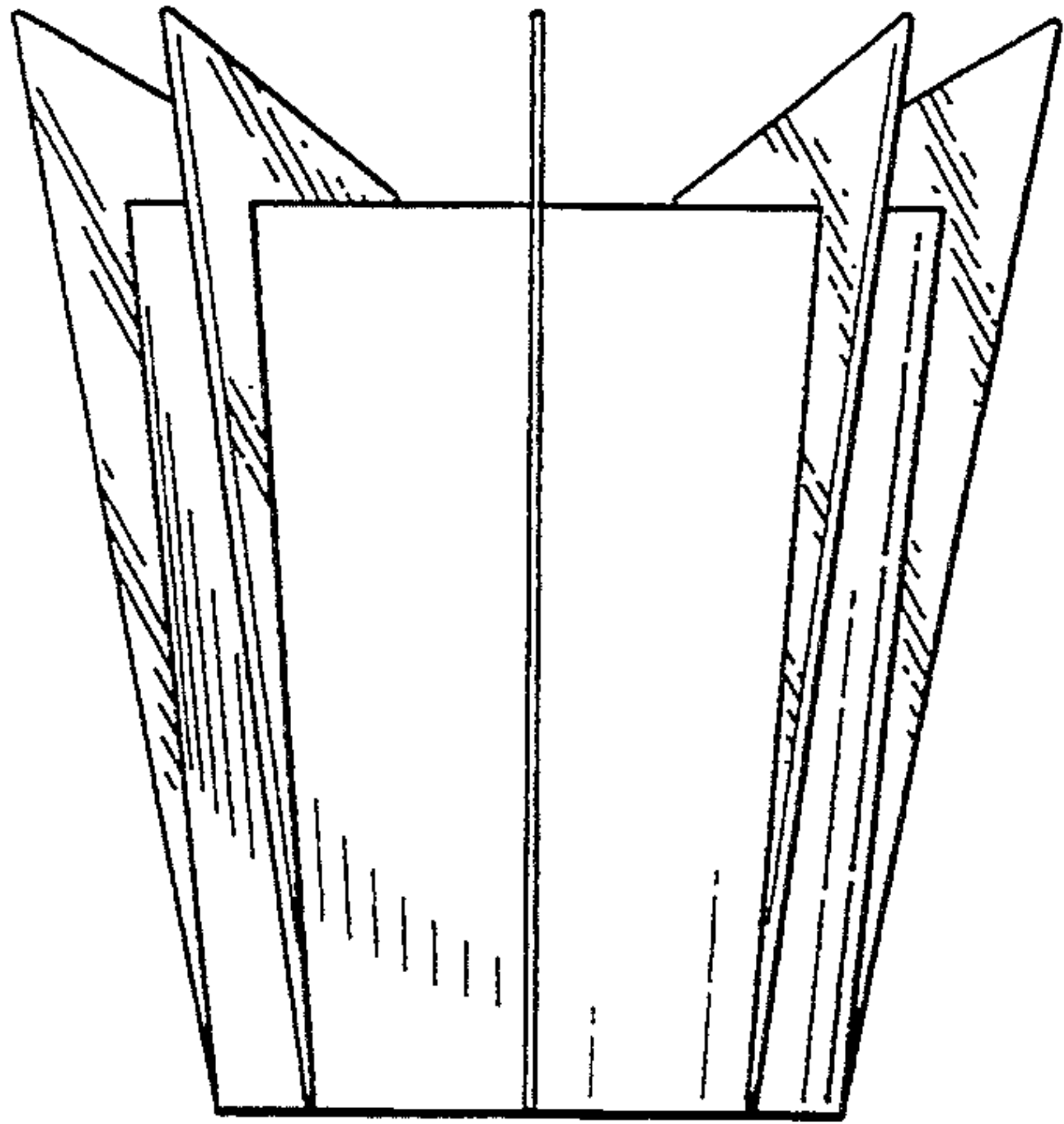


FIG. 1

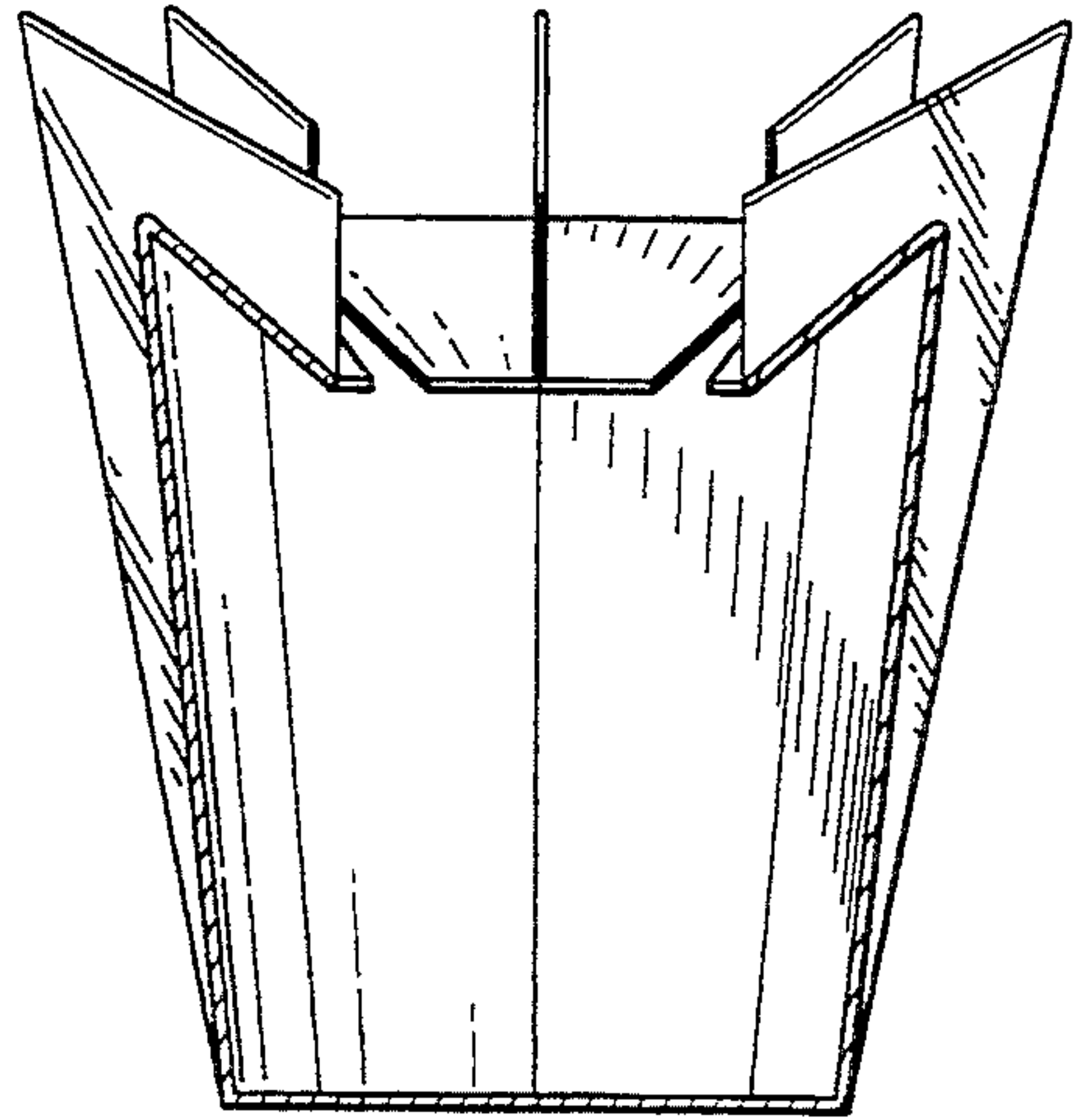


FIG. 2

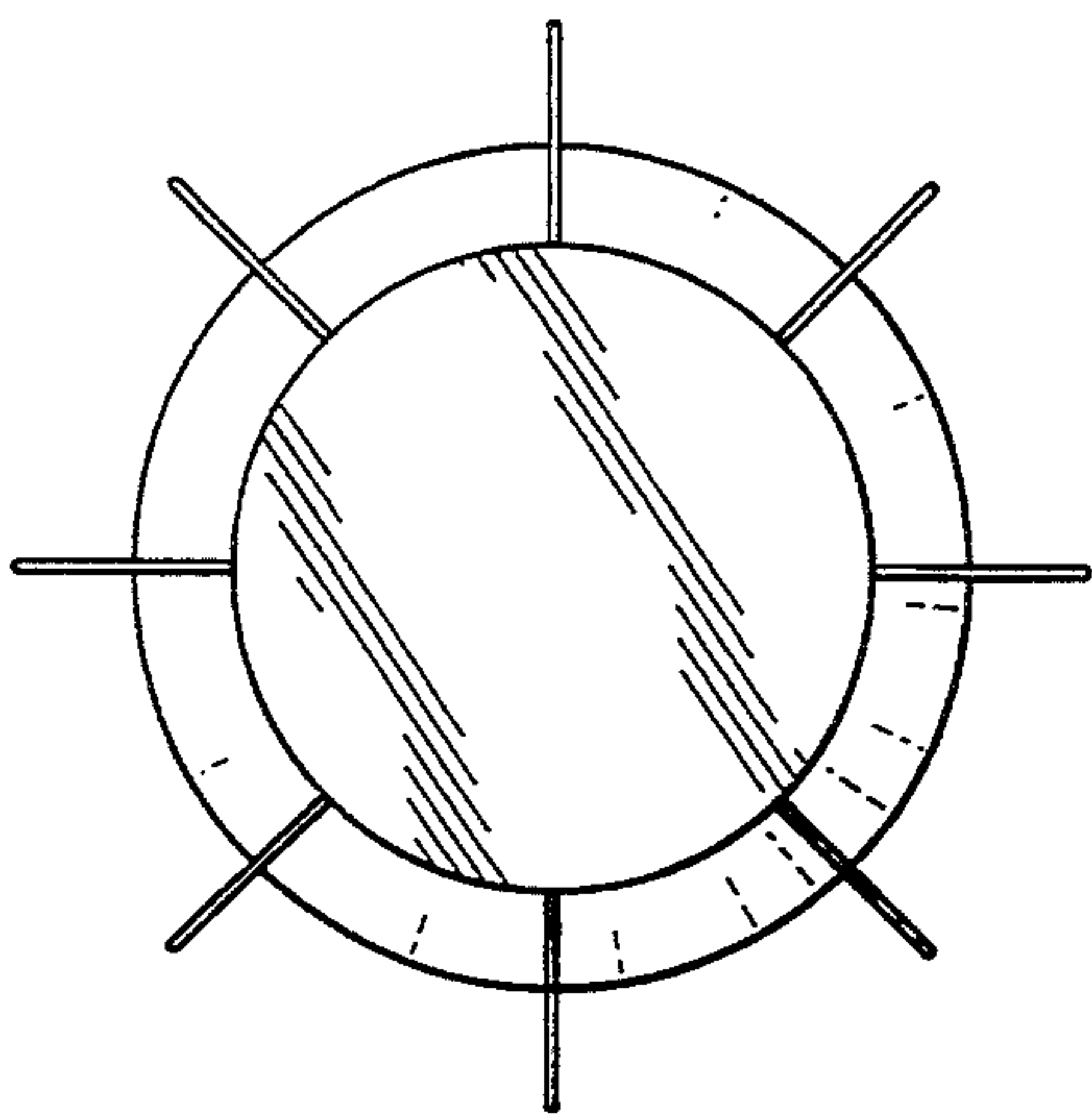


FIG. 3

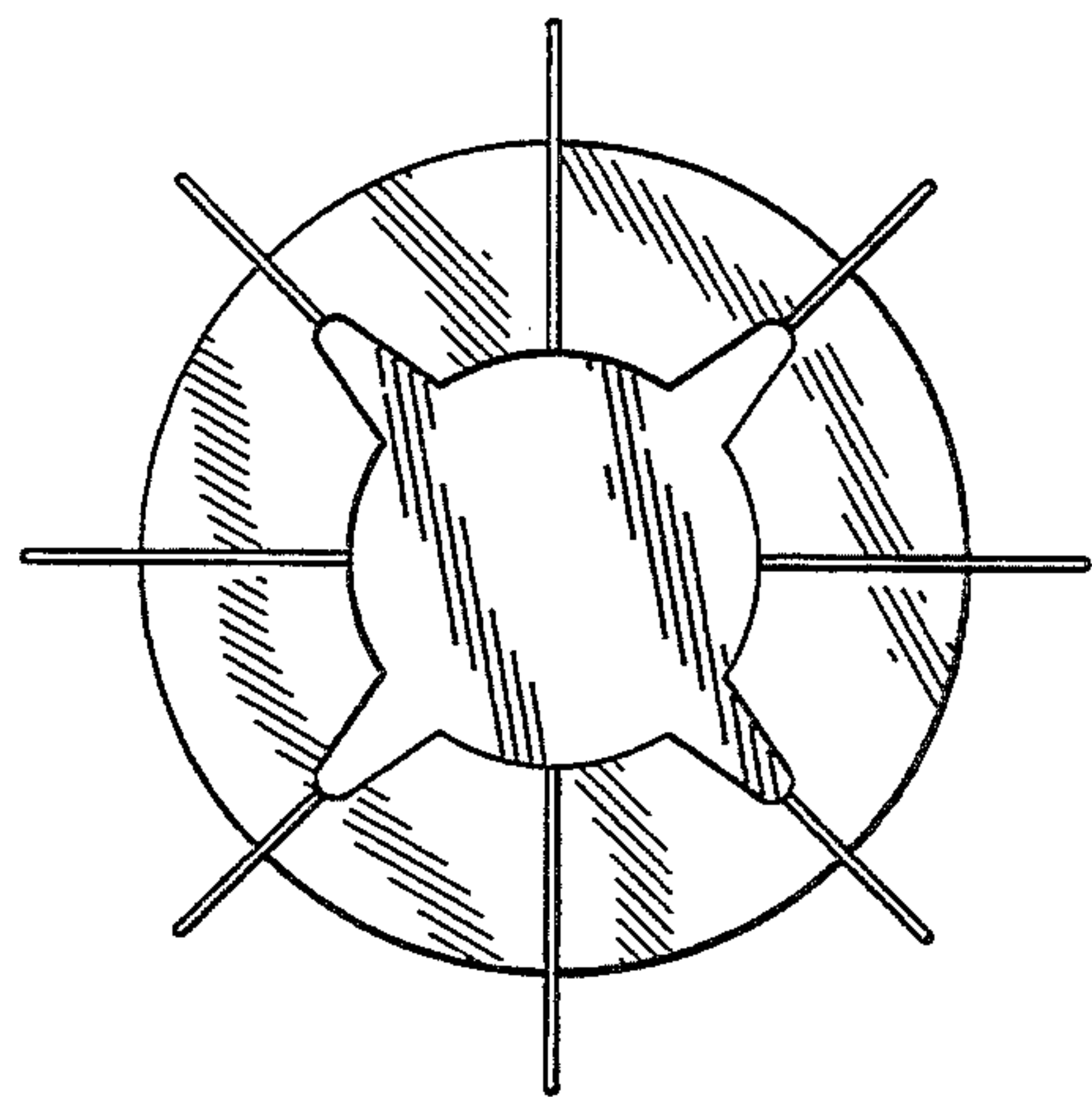


FIG. 4

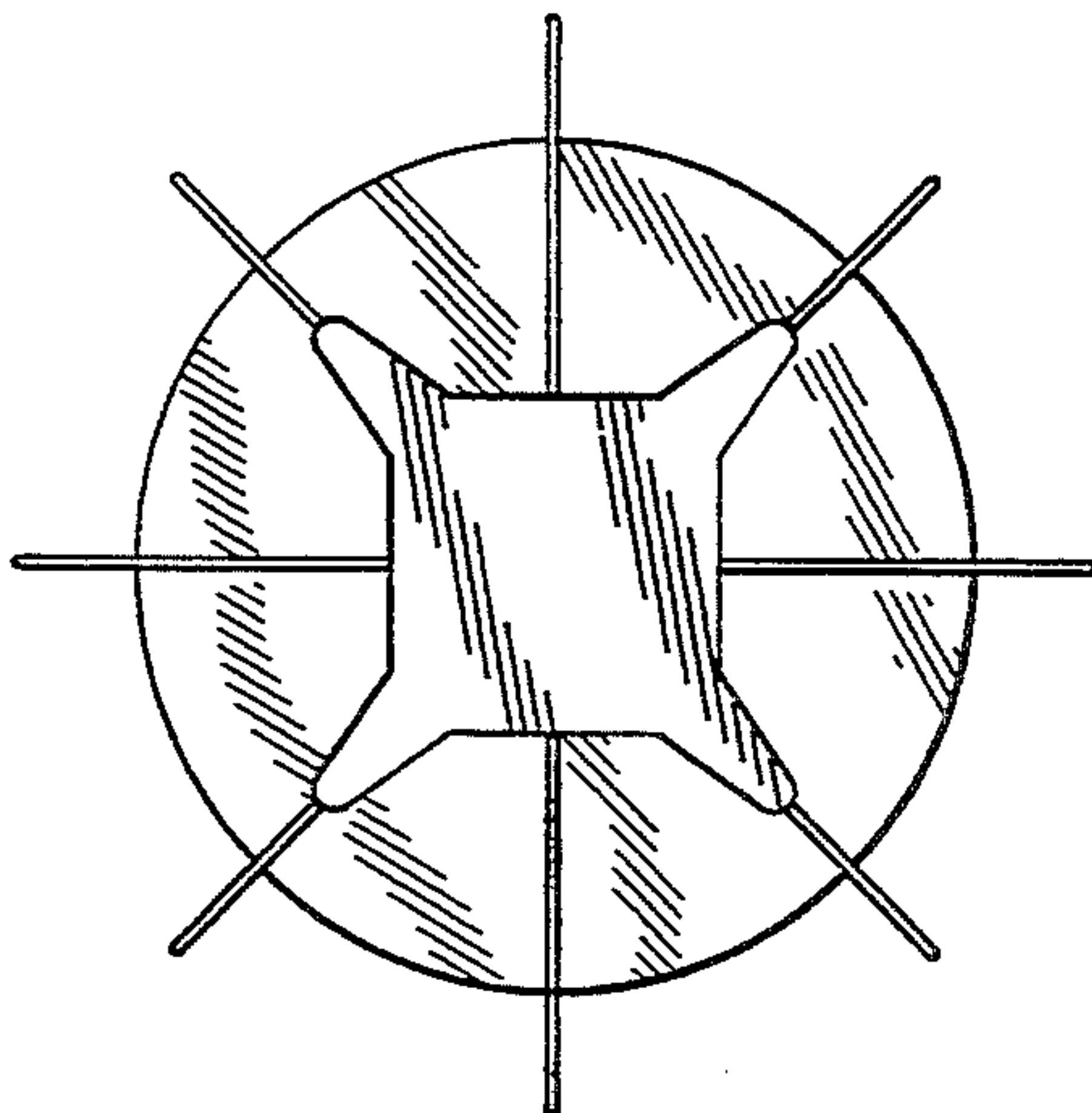
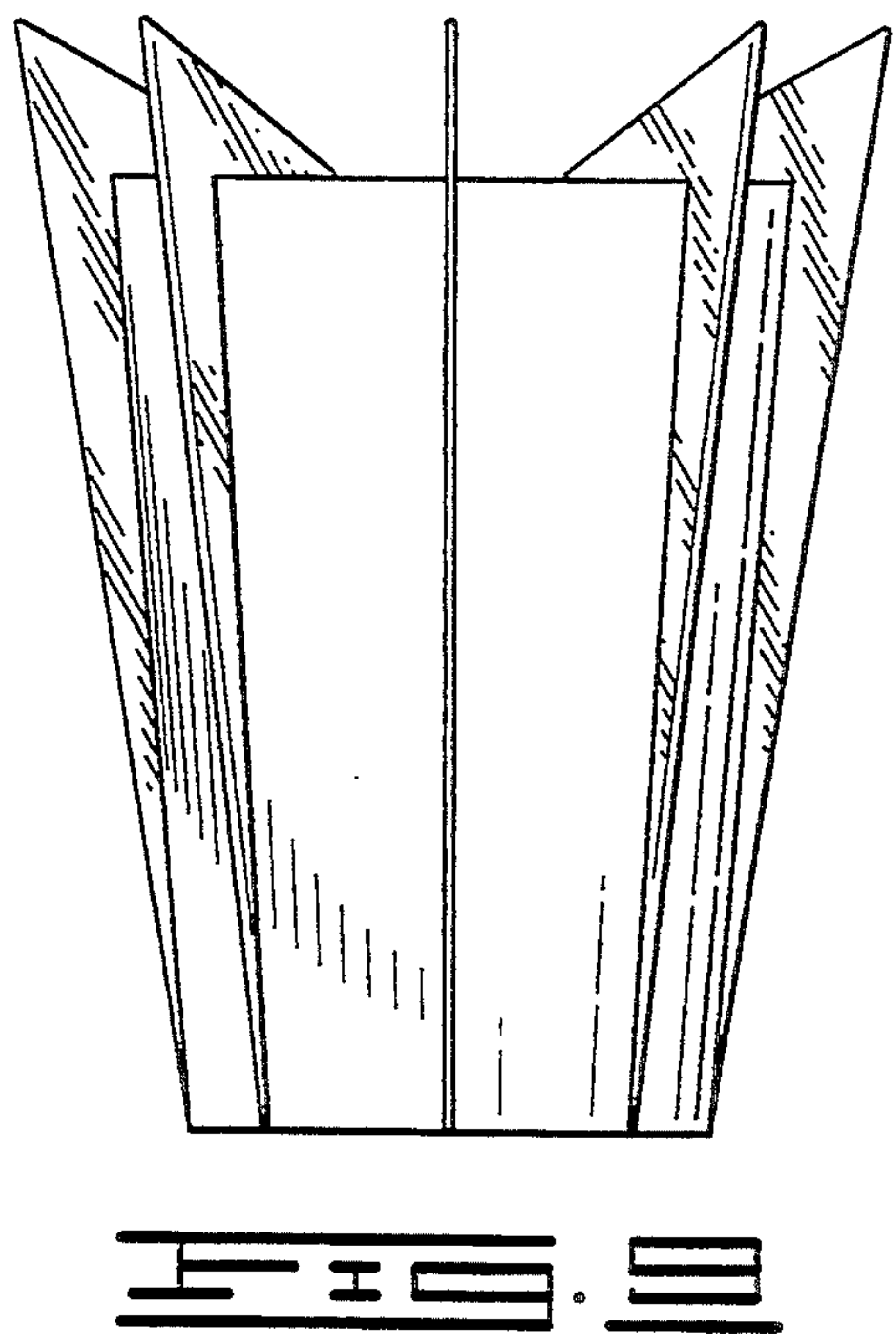
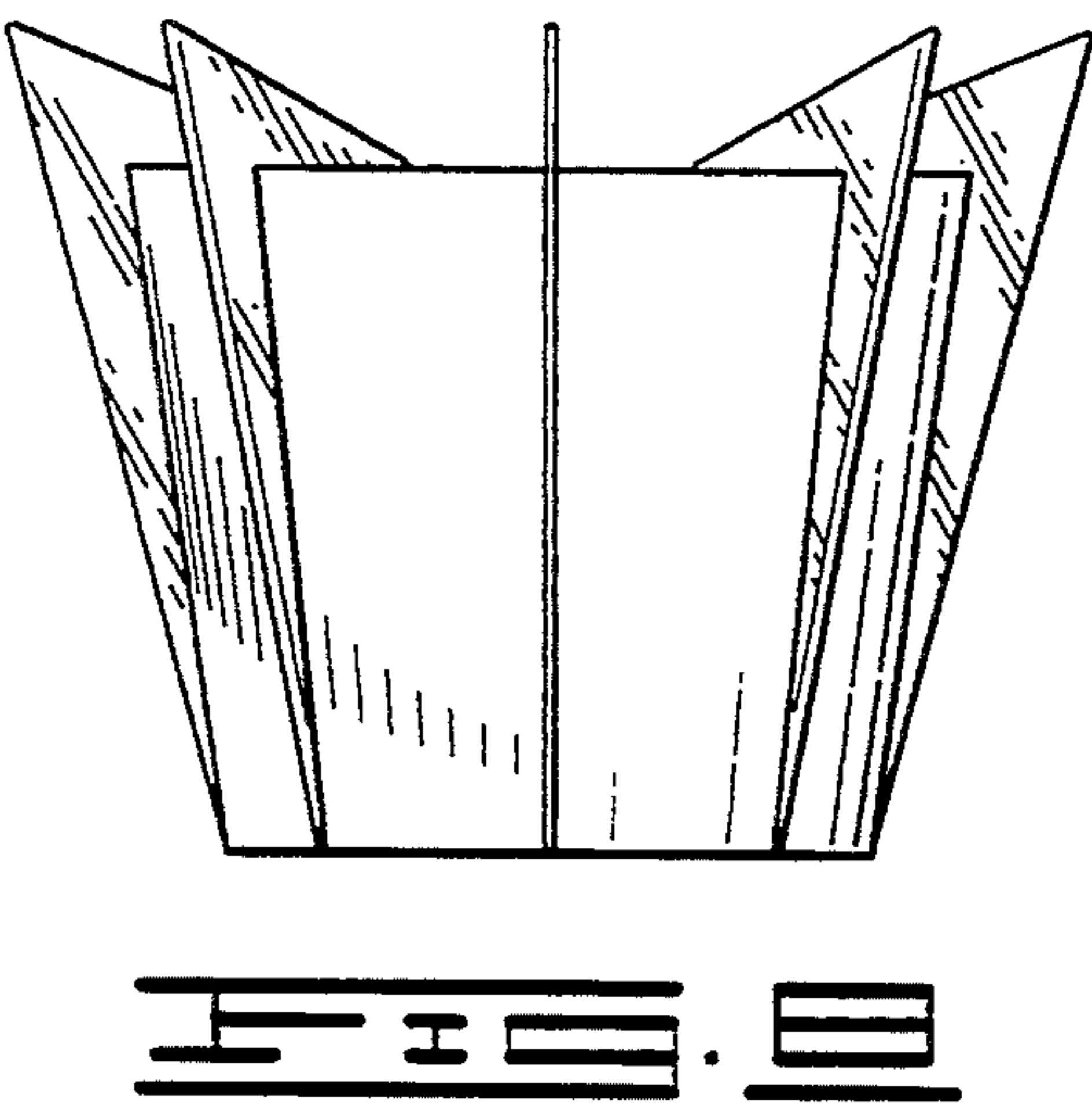
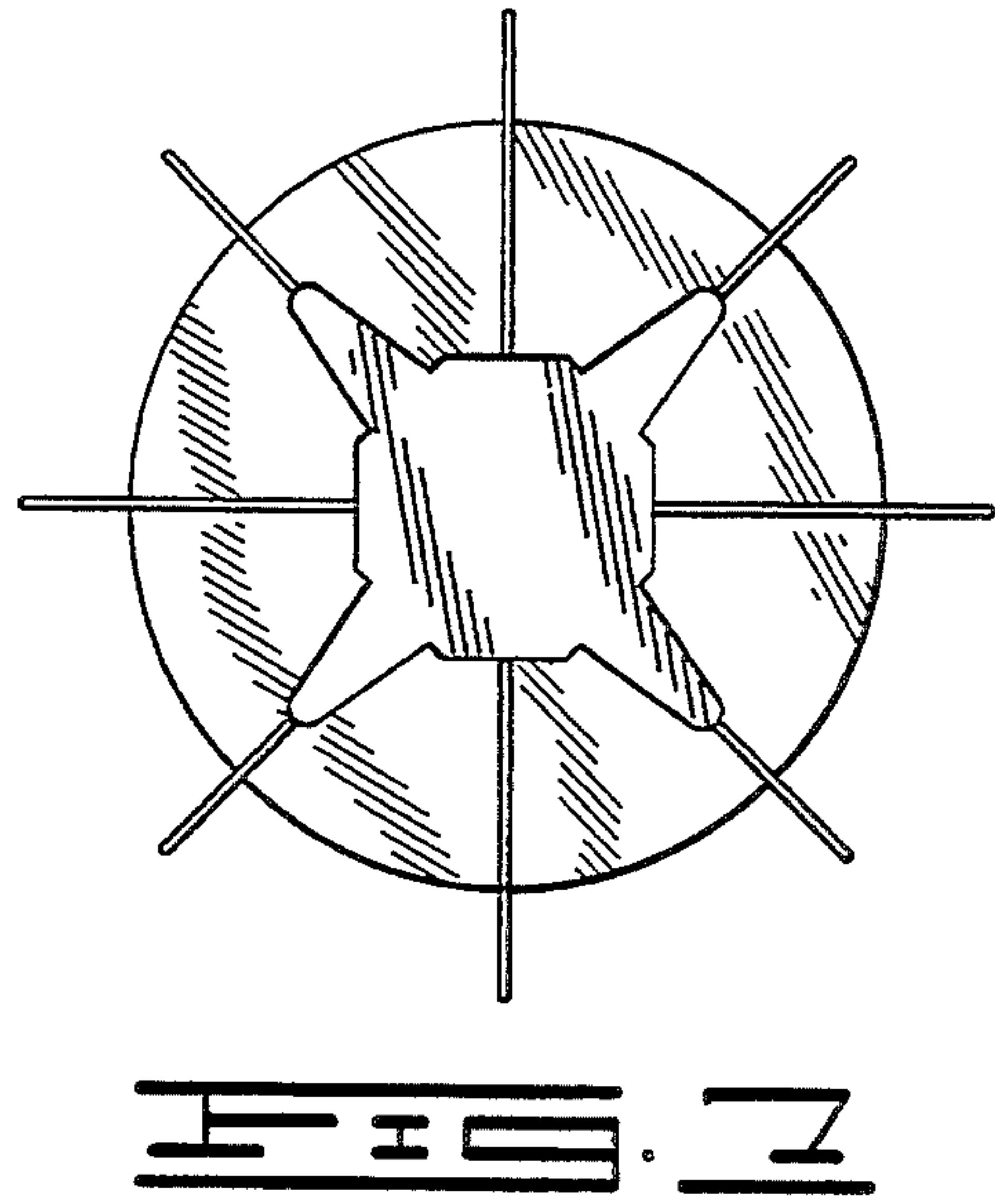
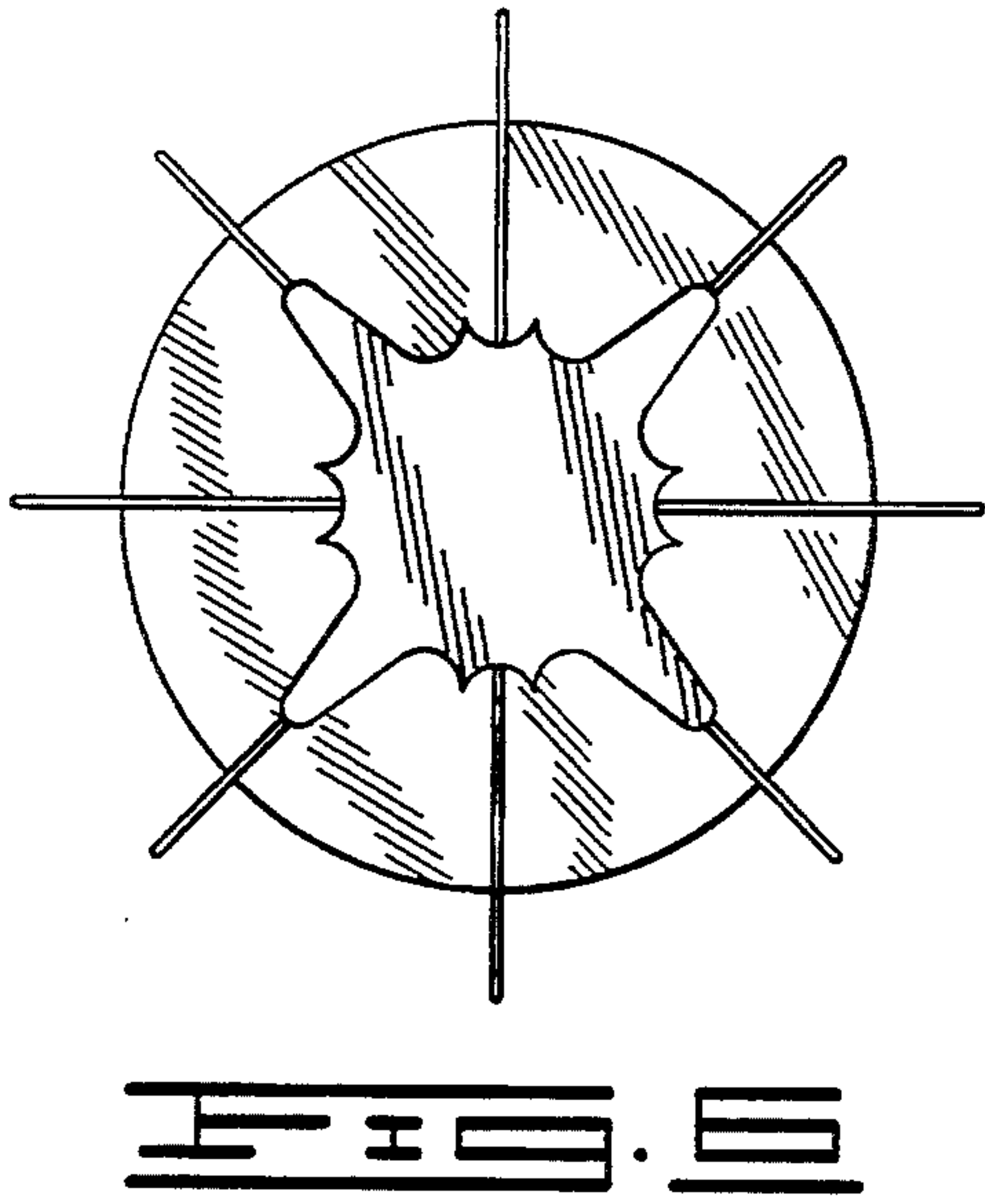


FIG. 5



UNITED STATES PATENT AND TRADEMARK OFFICE
CERTIFICATE OF CORRECTION

PATENT NO. : Des. 360,851
DATED : August 1, 1995
INVENTOR(S) : Weder et al.

It is certified that error appears in the above-identified patent and that said Letters Patent is hereby corrected as shown below:

On the title page,

item [56], under References Cited, U.S. PATENT DOCUMENTS, Col. 2, line 1, please delete "54,117,584", and substitute therefor --5,117,584--.

Signed and Sealed this
Seventeenth Day of October, 1995

Attest:



BRUCE LEHMAN

Attesting Officer

Commissioner of Patents and Trademarks