



US00D360848S

United States Patent [19]

[11] Patent Number: **Des. 360,848**

Koven

[45] Date of Patent: **** Aug. 1, 1995**

[54] CLASP SET

[76] Inventor: **Melvin R. Koven**, P.O. Box 52,
Chama, N. Mex. 87520

[**] Term: **14 Years**

[21] Appl. No.: **7,056**

[22] Filed: **Apr. 12, 1993**

[52] U.S. Cl. **D11/87**

[58] Field of Search **D11/1-25,**
D11/87, 216, 200, 201; 24/616, 589, 573.1, 625;
63/1-2

[56] **References Cited**

U.S. PATENT DOCUMENTS

D. 264,828	6/1982	Gray	D11/87
D. 300,614	4/1989	Geldwerth	D11/216
1,701,970	2/1929	Chaunard	D11/87
2,986,792	6/1961	Wyatt	D11/87
5,203,057	4/1993	Runnels	24/573.1
5,231,740	8/1993	Mohebkhosravi	24/589

OTHER PUBLICATIONS

"Robert Adams Ltd. Advertisiement," *Show Guide to*

Jewelry '93; Industry Show, Las Vegas, Nevada, Jun. 3-8, 1993.

"B & B Jewelry Manufacturing," *Show Guide to Jewelry '93; Industry Show*, Las Vegas, Nevada, Jun. 3-8, 1993.

"Media Imports, Inc.," *Show Guide to Jewelry '93; Industry Show*, Las Vegas, Nevada, Jun. 3-8, 1993.

"Pronto Jewelry Inc.," *Show Guide to Jewelry '93; Industry Show*, Las Vegas, Nevada, Jun. 3-8, 1993.

"Benjamin & Co.," *Show Guide to Jewelry '93, Industry Show*, Las Vegas, Nevada, Jun. 3-8, 1993.

"C. K. Gumpert, Inc.," *Show Guide to Jewelry '93; Industry Show*, Las Vegas, Nevada, Jun. 3-8, 1993.

Primary Examiner—Ralf T. Seifert

Attorney, Agent, or Firm—Deborah A. Peacock; Rod D. Baker

[57] **CLAIM**

The ornamental design for a clasp set, as shown and described.

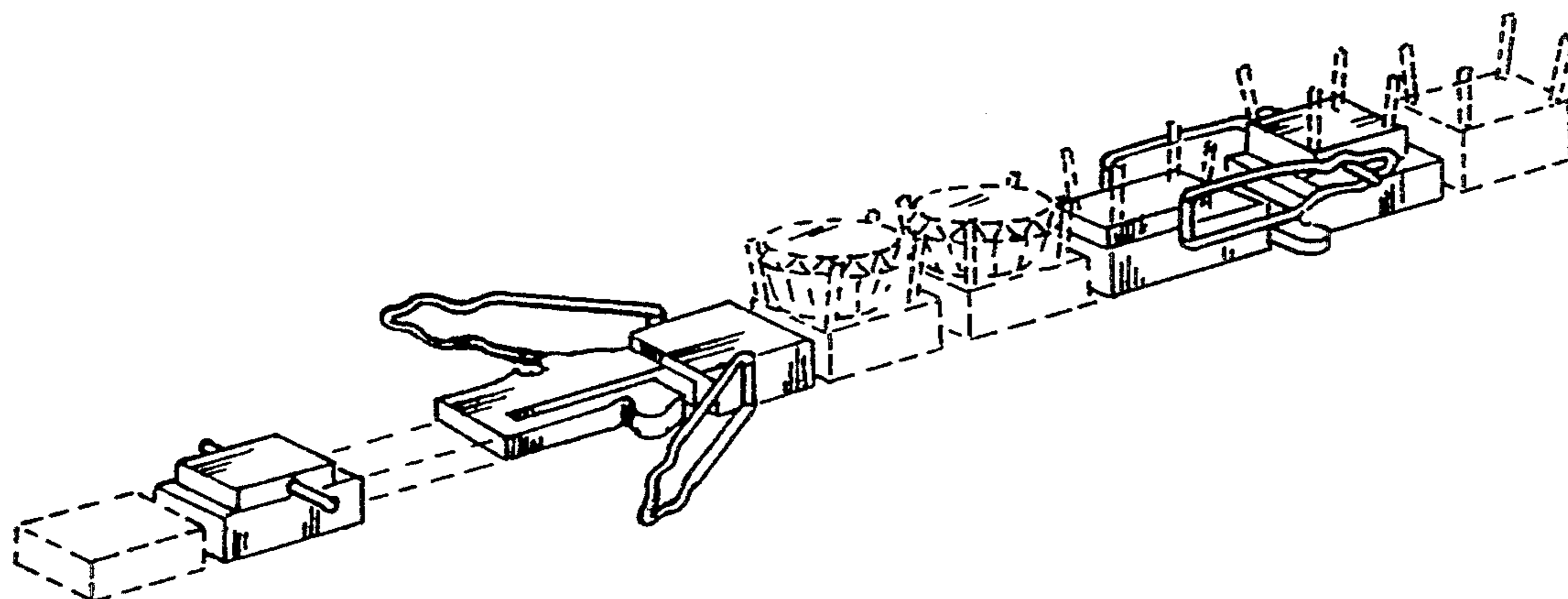
DESCRIPTION

FIG. 1 is a perspective view of a clasp set showing my new design;

FIG. 2 is a top plan view;

FIG. 3 is a side elevational view the opposite side being a mirror image; and,

FIG. 4 is a bottom plan view.



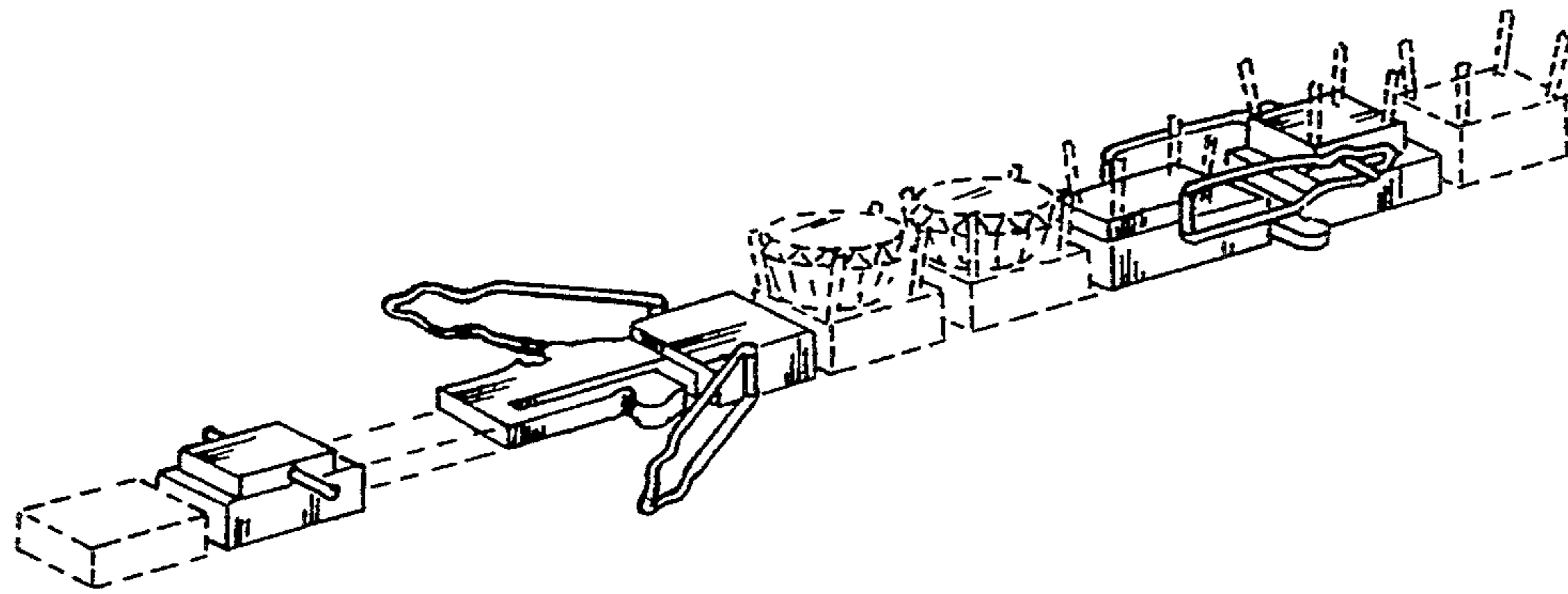


FIG-1

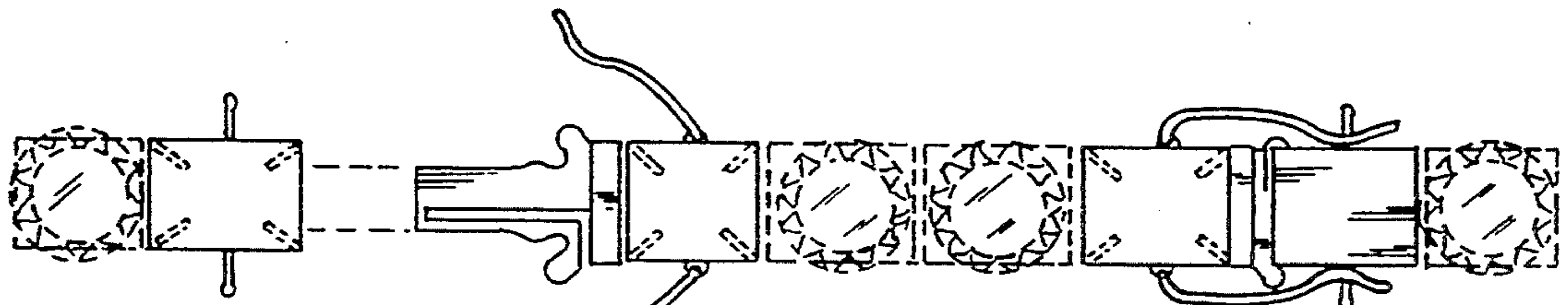


FIG-2

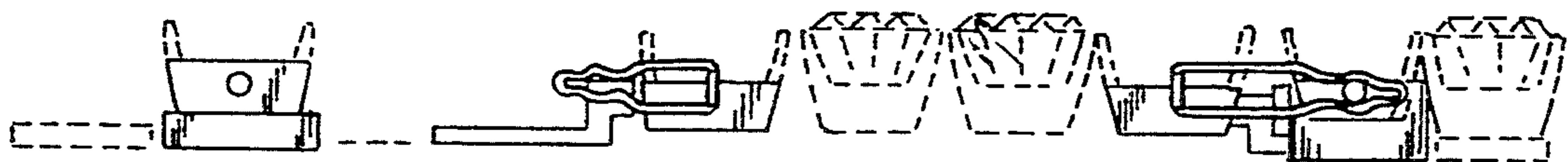


FIG-3

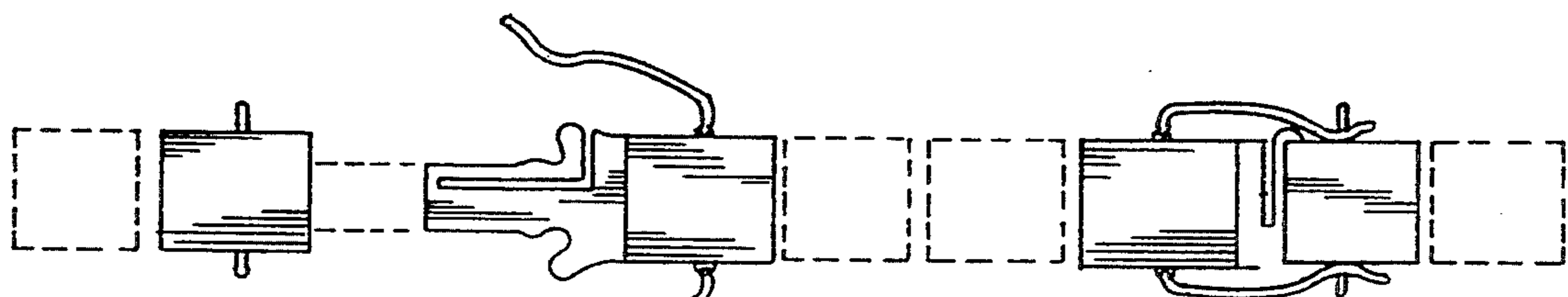


FIG-4