



US00D360844S

# United States Patent [19]

[11] Patent Number: **Des. 360,844**

Miller et al.

[45] Date of Patent: **\*\* Aug. 1, 1995**

[54] **SUPPORTING DEVICE FOR A DISPLAY BALLOON**

3,104,086	7/1961	Salzmann .....	D8/363 X
4,589,854	5/1986	Smith .....	446/223
4,661,081	4/1987	Basseches .....	446/220
4,895,545	1/1990	Nelson .....	446/220

[76] Inventors: **Murray G. W. Miller**, 19 Albert Street N., Orillia, Ontario, Canada, L3V 3J9; **Melville L. Middleton**, 221 Atherley Road, Orillia, Ontario, Canada, L3V 1N6

*Primary Examiner*—James M. Gandy  
*Assistant Examiner*—Holly H. Baynham  
*Attorney, Agent, or Firm*—Biebel & French

[\*\*] Term: **14 Years**

[57] **CLAIM**

[21] Appl. No.: **16,742**

The ornamental design for a supporting device for a display balloon, as shown and described.

[22] Filed: **Dec. 22, 1993**

**DESCRIPTION**

[30] **Foreign Application Priority Data**

Jun. 28, 1993 [CA] Canada ..... 28-06-93-1

[52] **U.S. Cl.** ..... **D10/110; D8/363**

[58] **Field of Search** ..... D8/349, 354, 363, 373; 446/220, 223; D21/84; D10/109-110; 116/63. C, 28 R, 29-30; 248/229, 475.1, 309.1, 300, 227

FIG. 1 is a perspective view of a supporting device for a display balloon showing our new design;

FIG. 2 is an enlarged perspective view thereof;

FIG. 3 is a further perspective view showing the device in the "exploded" condition;

FIG. 4 is a side elevation view fully assembled with the opposite side being a mirror image; and,

FIG. 5 is a top plan view thereof.

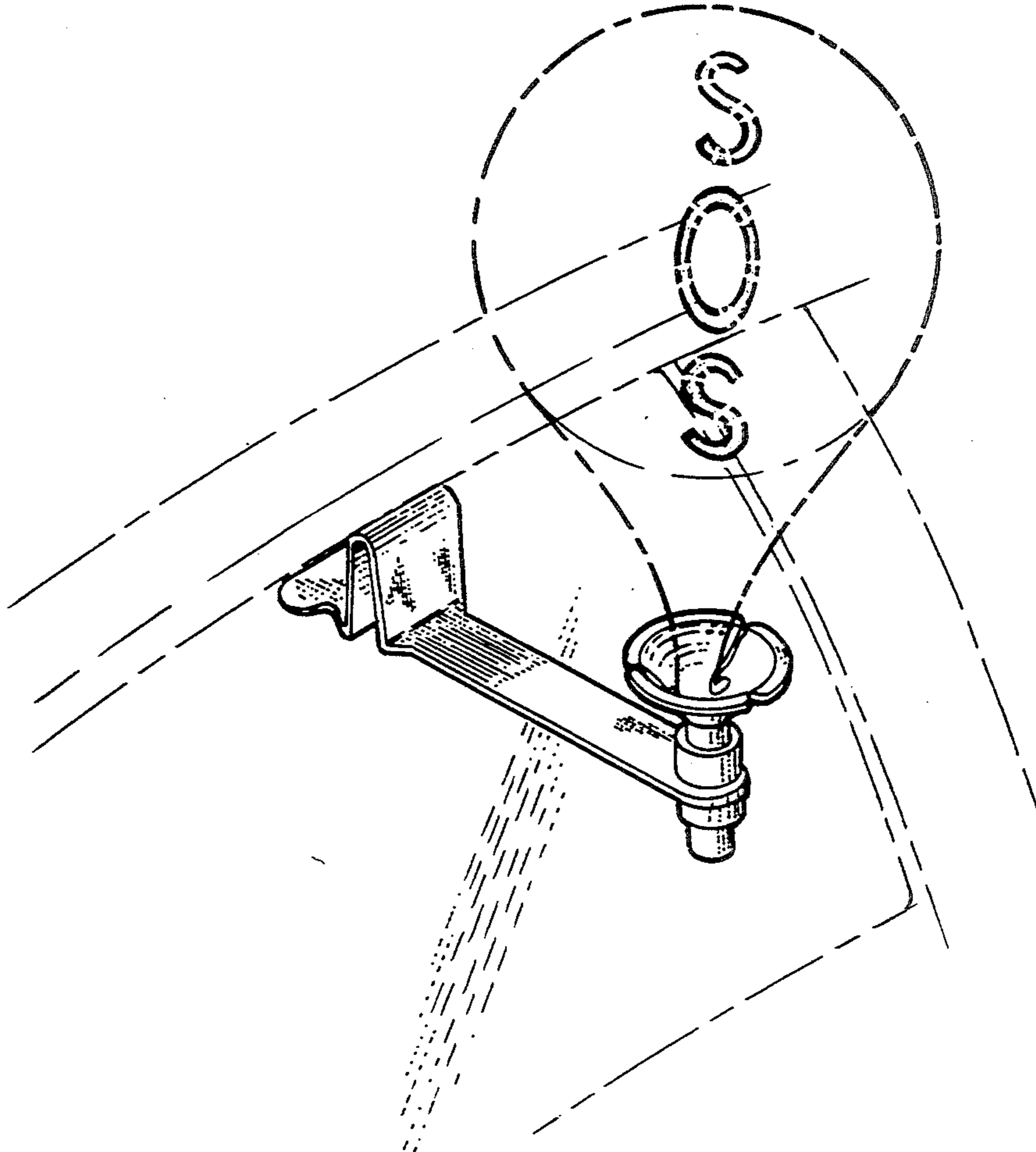
The broken line showing of a portion of an automobile and a balloon are for illustrative purposes only and form no part of the claimed design.

The undisclosed bottom plan view is understood to be unornamented.

[56] **References Cited**

**U.S. PATENT DOCUMENTS**

D. 313,214	12/1990	Phillips et al. ....	D10/110 X
D. 329,261	9/1992	Pollack .....	D21/84



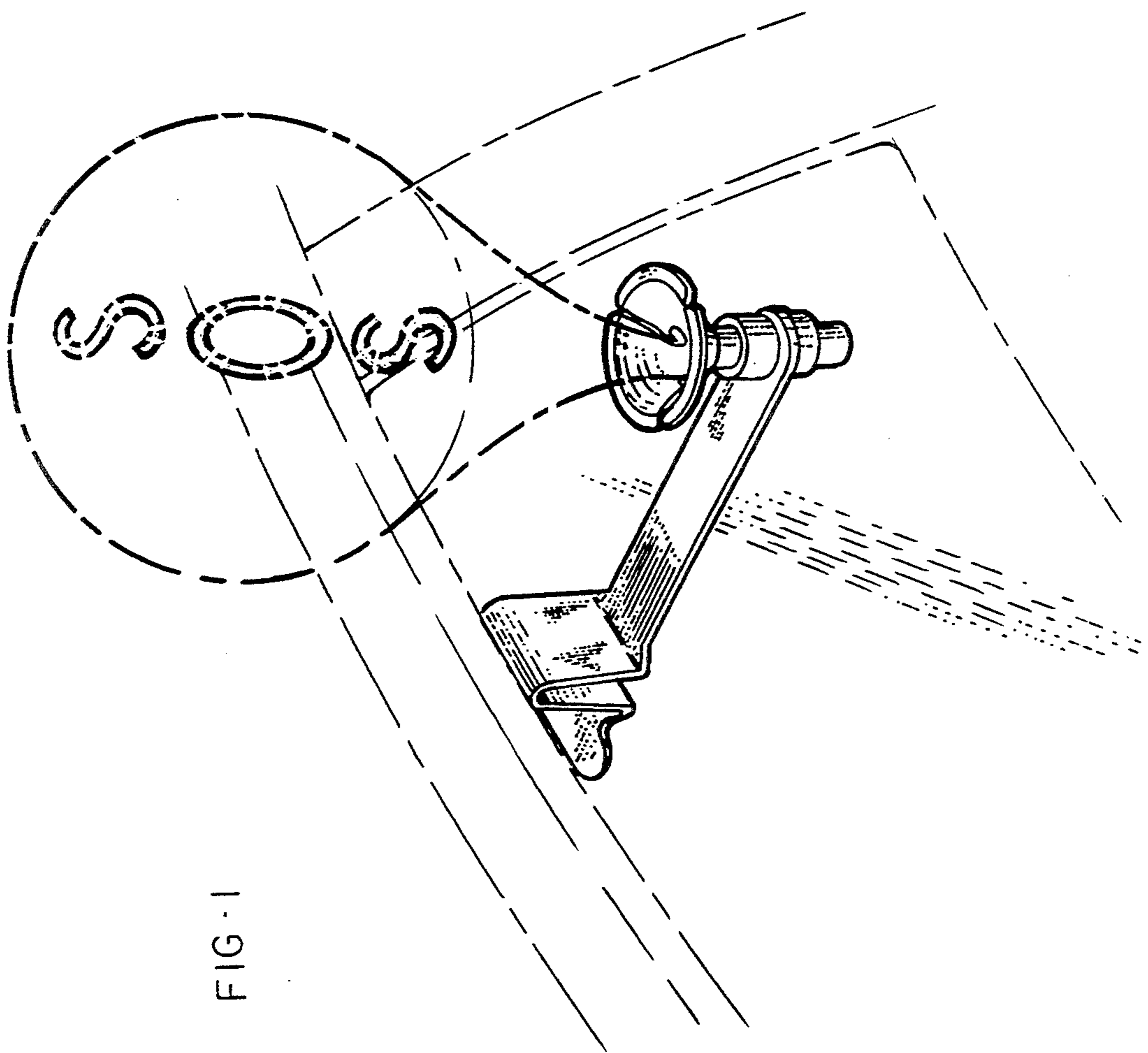


FIG - 2

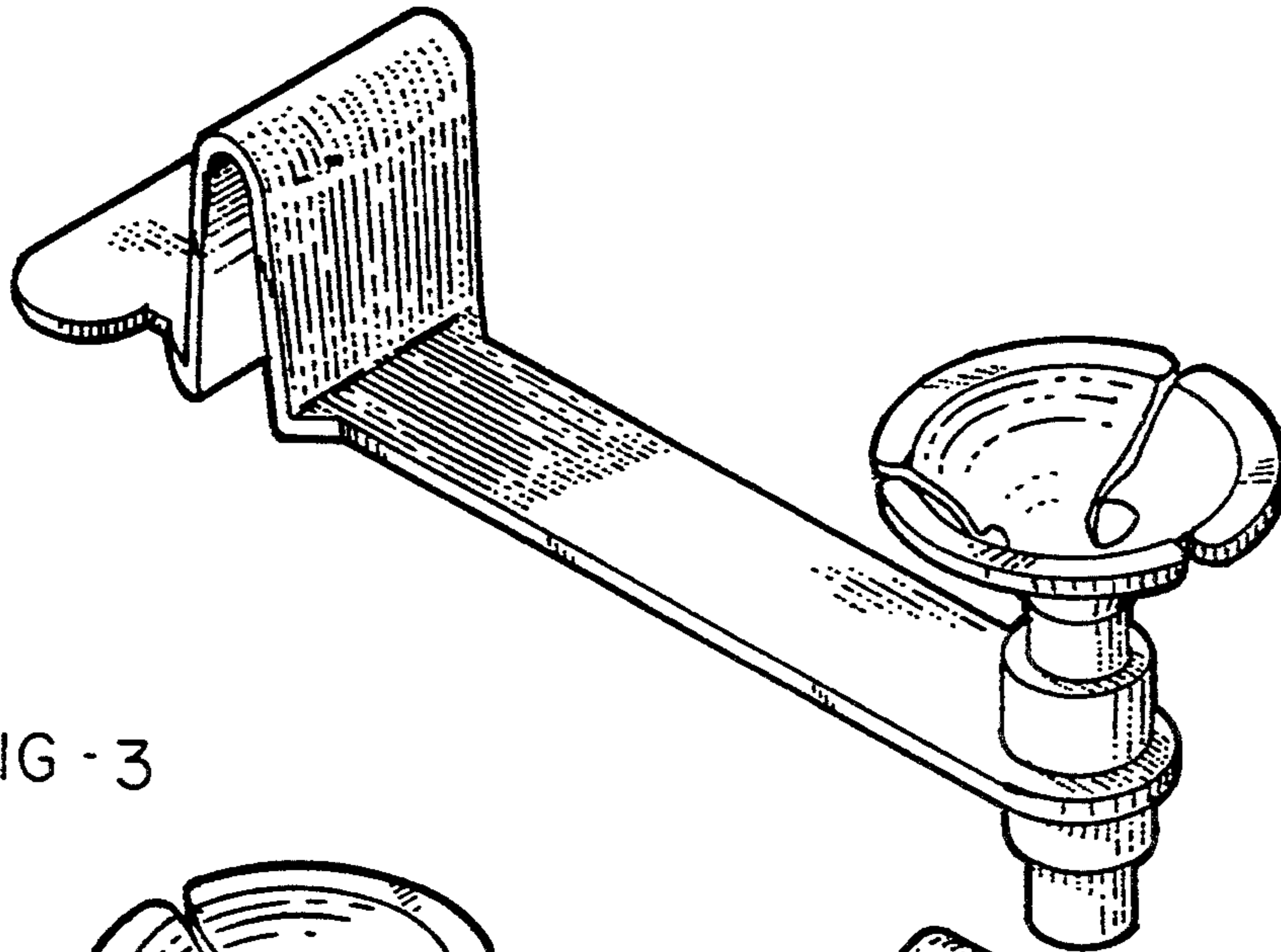


FIG - 3

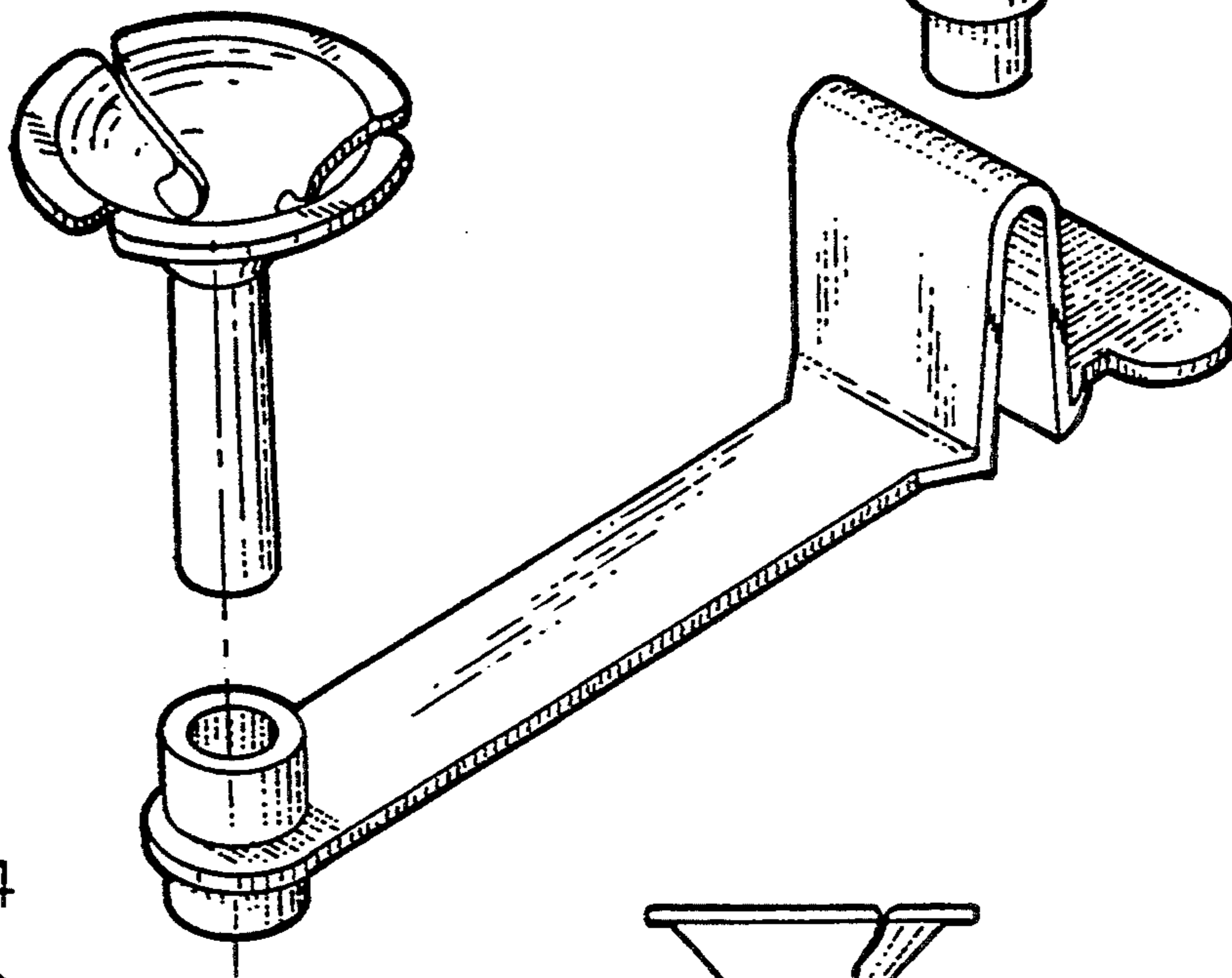


FIG - 4

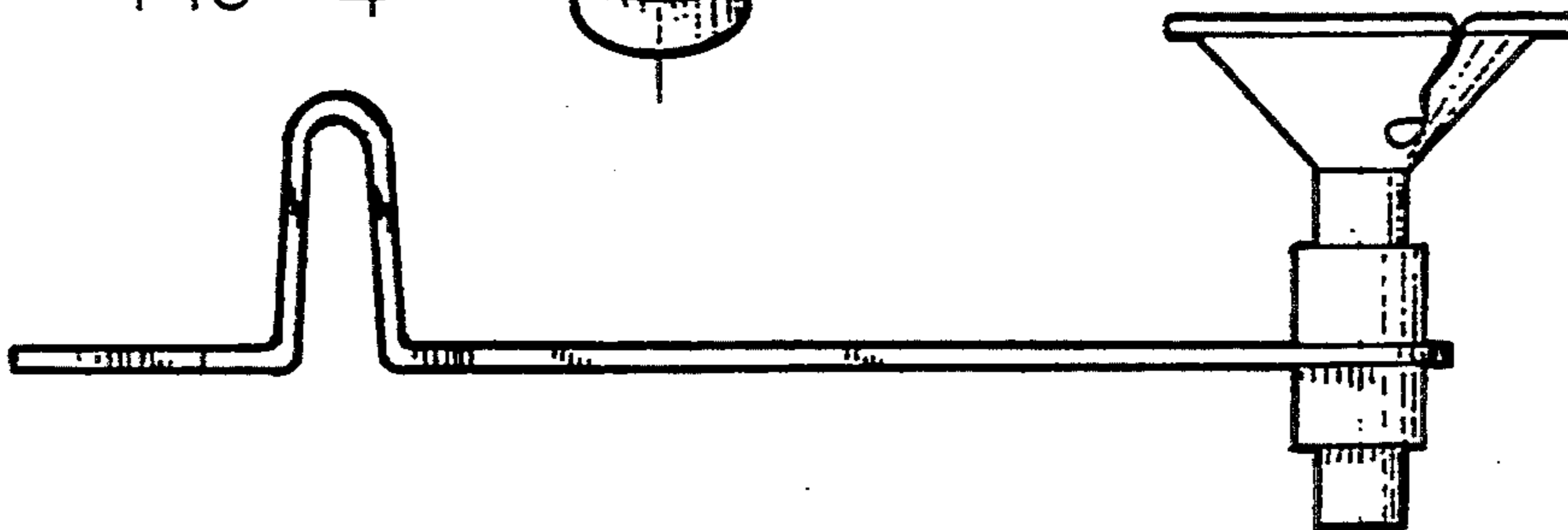


FIG - 5

