



US00D360843S

# United States Patent [19]

[11] Patent Number: **Des. 360,843**

Harris

[45] Date of Patent: **\*\* Aug. 1, 1995**

[54] **VEHICLE WINDOW MOUNTED SPORTS PENNANT**

4,976,410	12/1990	Tomainolo .	
4,986,209	1/1991	Spica .....	116/173
5,042,418	8/1991	Hoover et al. .	
5,233,938	8/1993	Zalo .....	116/173

[76] Inventor: **James R. Harris**, 3505 Park Row Dr.,  
Louisville, Ky. 40216

### FOREIGN PATENT DOCUMENTS

[\*\*] Term: **14 Years**

605011	2/1934	Germany .
362005	10/1938	Italy .

[21] Appl. No.: **29,520**

[22] Filed: **Oct. 7, 1994**

[52] U.S. Cl. .... **D10/109**

[58] Field of Search ..... D10/109, 110, 111, 121;  
D20/10, 41; 116/63 P, 63 R, 173, 174, 175

*Primary Examiner*—A. Hugo Word  
*Assistant Examiner*—Marcus Jackson  
*Attorney, Agent, or Firm*—Dennis H. Lambert

### [57] CLAIM

### [56] References Cited

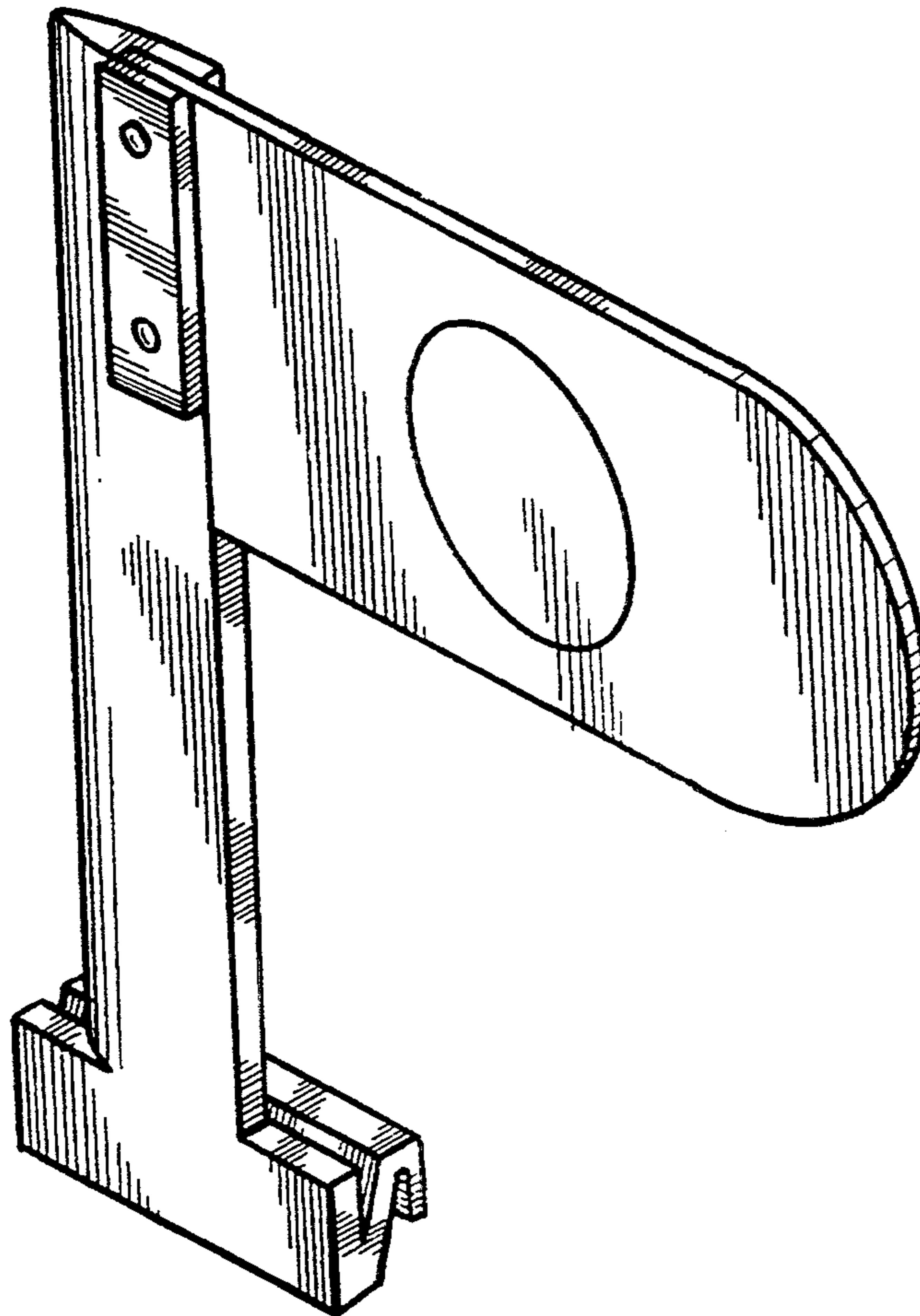
#### U.S. PATENT DOCUMENTS

D. 248,284	6/1978	Bowser .....	D10/109
D. 316,829	5/1991	Davis .....	D10/109
3,239,957	3/1966	Snediker .....	116/63 P
3,540,685	11/1970	Gualano .....	116/173
4,002,138	1/1977	Dobala .....	116/173
4,015,557	4/1977	Schulein .....	116/173
4,163,426	8/1979	O'Neill .	
4,375,134	3/1983	Sheetz .	
4,590,883	5/1986	Steed et al. ....	116/173
4,960,067	10/1990	Currie .	
4,964,360	10/1990	Henry .	

The ornamental design for a vehicle window mounted sports pennant, as shown and described.

### DESCRIPTION

FIG. 1 is a front, top and side perspective view of the vehicle window mounted sports pennant showing my new design;  
FIG. 2 is a front elevational view thereof;  
FIG. 3 is a rear elevational view thereof;  
FIG. 4 is a right side elevational view thereof;  
FIG. 5 is a left side elevational view thereof;  
FIG. 6 is a top plan view thereof; and,  
FIG. 7 is a bottom plan view thereof.



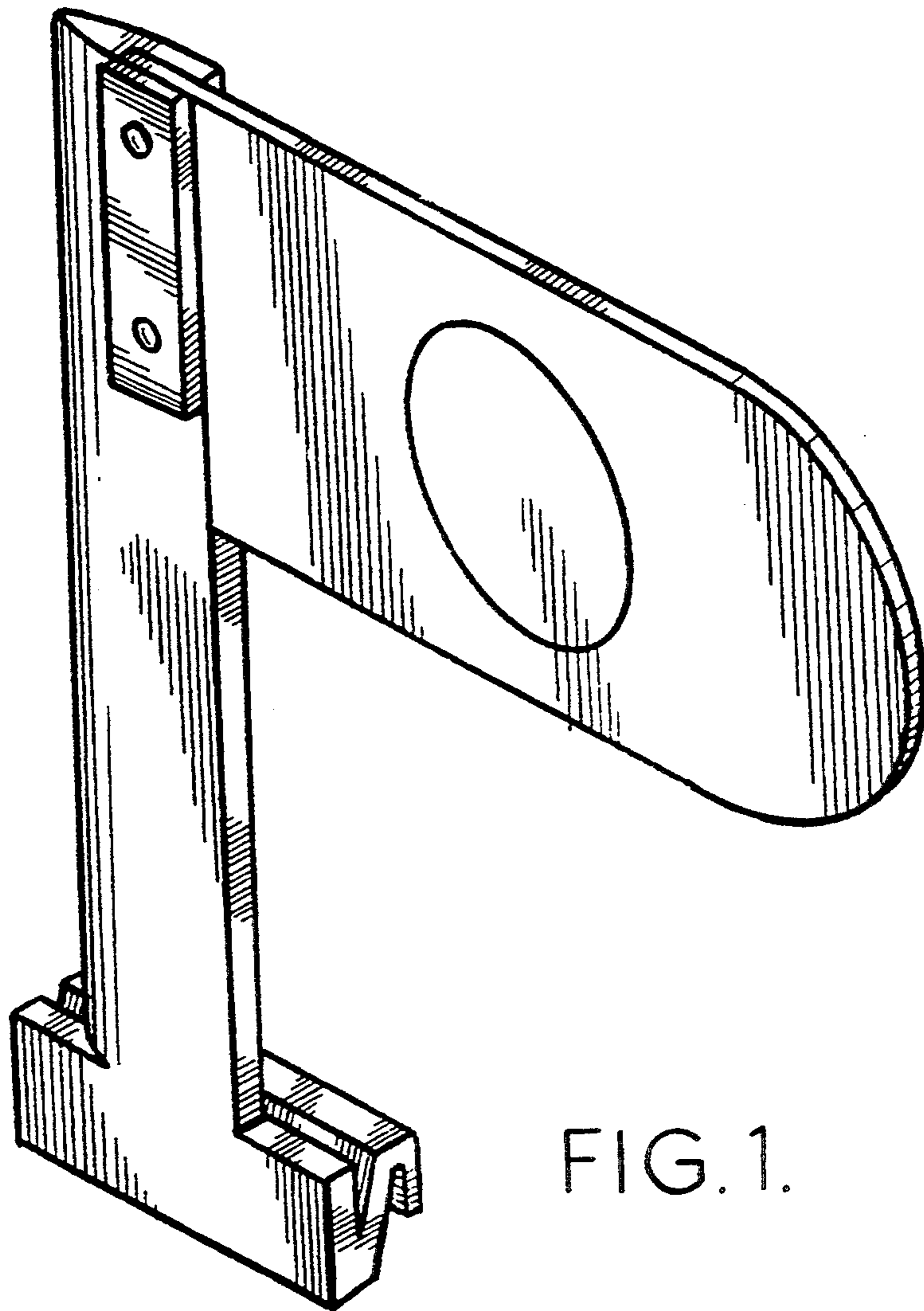


FIG. 1.

FIG. 2.

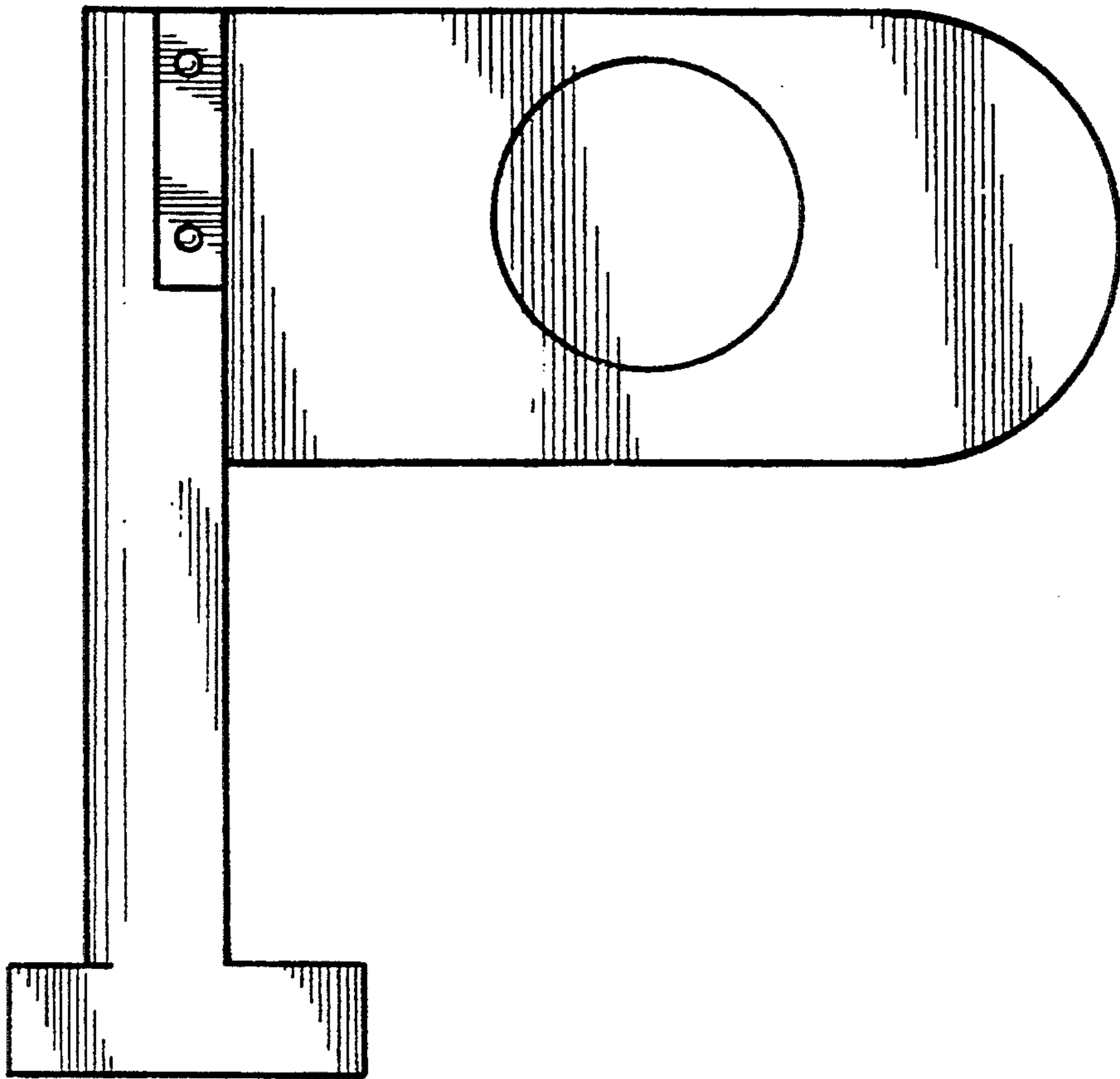


FIG. 4.



FIG. 6.



FIG. 5.



FIG. 3.

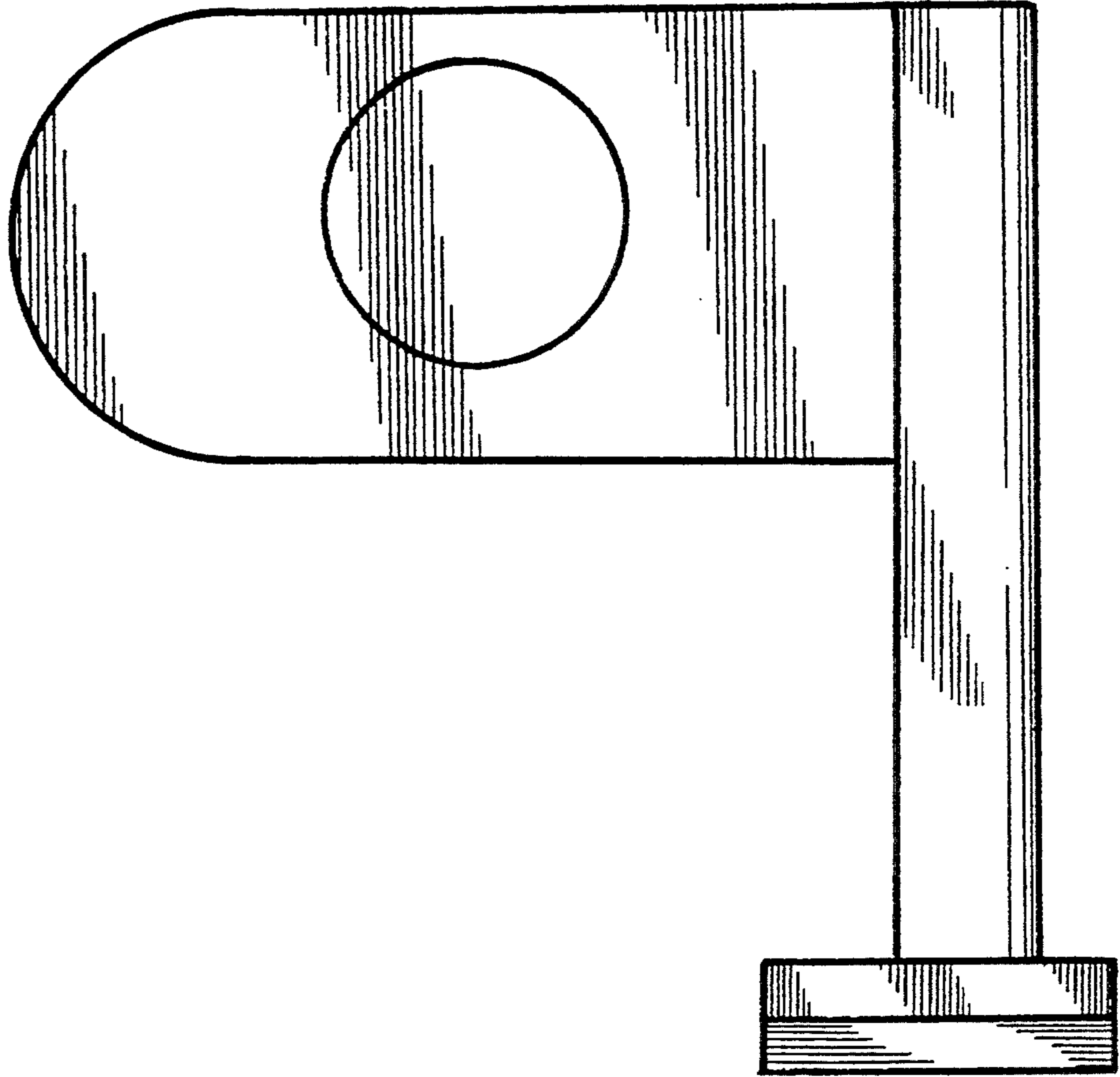


FIG. 7.