



US00D360842S

United States Patent [19]

[11] Patent Number: **Des. 360,842**

Hu

[45] Date of Patent: **** Aug. 1, 1995**

[54] **MOTION SENSOR**

D. 346,567 5/1994 Rimon D10/106

[75] Inventor: **Charles C. Hu**, Saratoga, Calif.

Primary Examiner—A. Hugo Word

[73] Assignee: **The Watt Stopper**, Santa Clara, Calif.

Assistant Examiner—Marcus Jackson

[**] Term: **14 Years**

Attorney, Agent, or Firm—Townsend and Townsend
Khourie and Crew

[21] Appl. No.: **26,939**

[57] **CLAIM**

[22] Filed: **Aug. 9, 1994**

The ornamental design for a motion sensor, as shown
and described.

[52] U.S. Cl. **D10/106**

[58] Field of Search D10/104, 106, 116, 121;
340/506, 540, 541, 572, 573, 574, 575, 576, 577,
578, 584

DESCRIPTION

FIG. 1 is a perspective view of a motion sensor showing
my new design;

FIG. 2 is a bottom plan view thereof;

FIG. 3 is a front elevational view thereof, the back
elevational view being a mirror image;

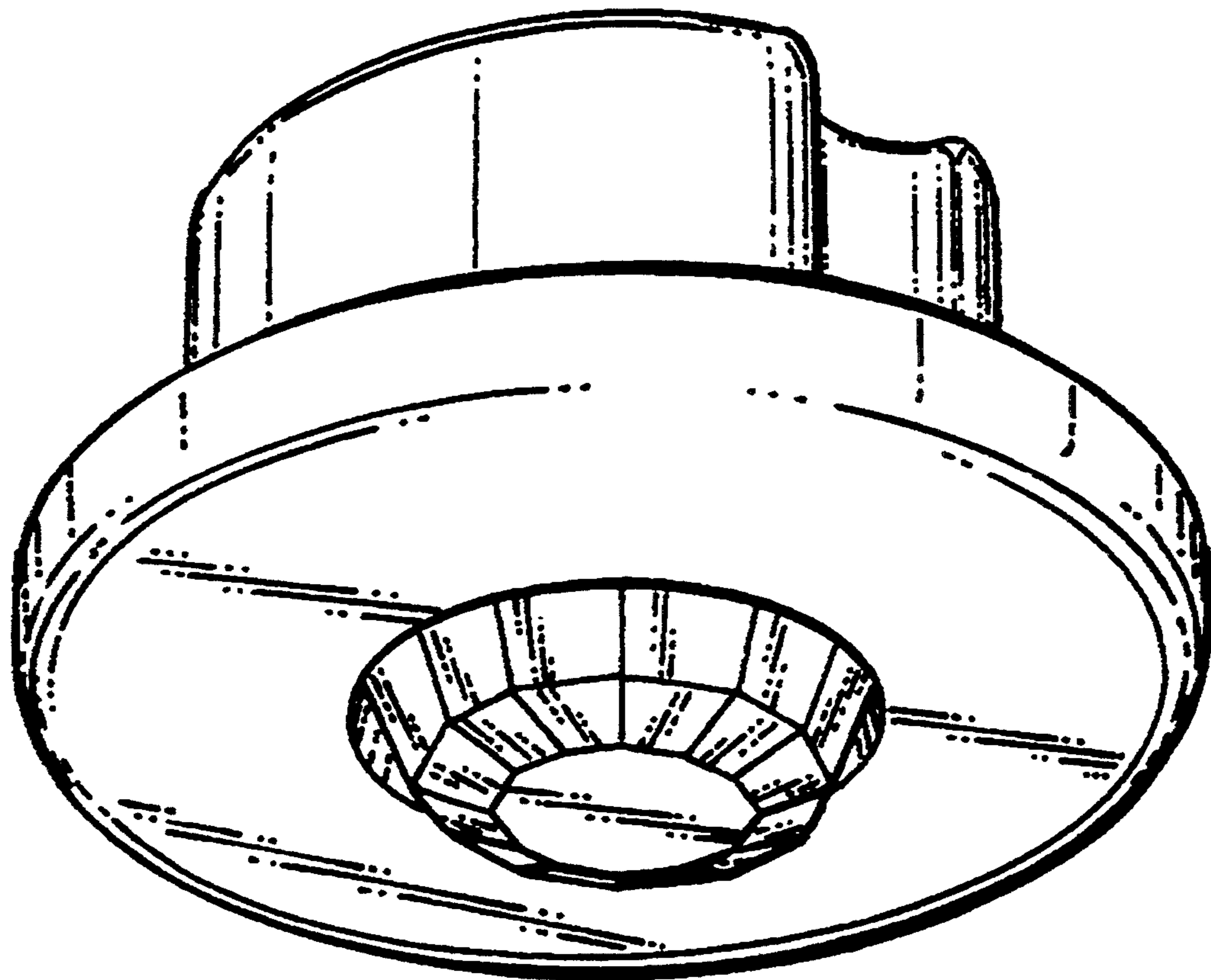
FIG. 4 is a right side elevational view thereof, the left
side elevation view being a mirror image; and,

FIG. 5 is a top plan view thereof.

[56] **References Cited**

U.S. PATENT DOCUMENTS

- D. 332,231 1/1993 Akimoto et al. D10/106
- D. 339,759 9/1993 Ho D10/106
- D. 342,213 12/1993 Fellman D10/106



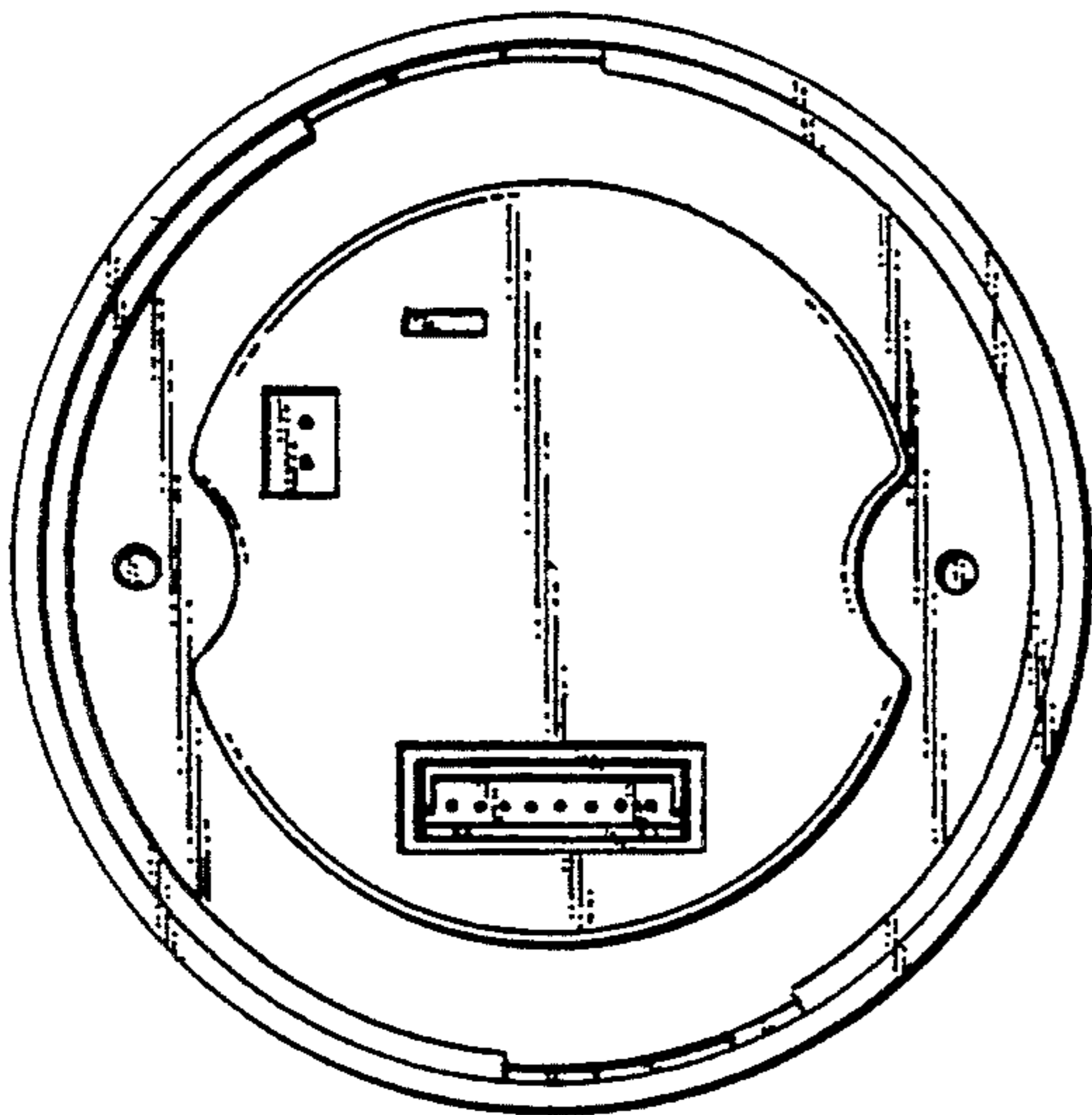


FIG. 2.

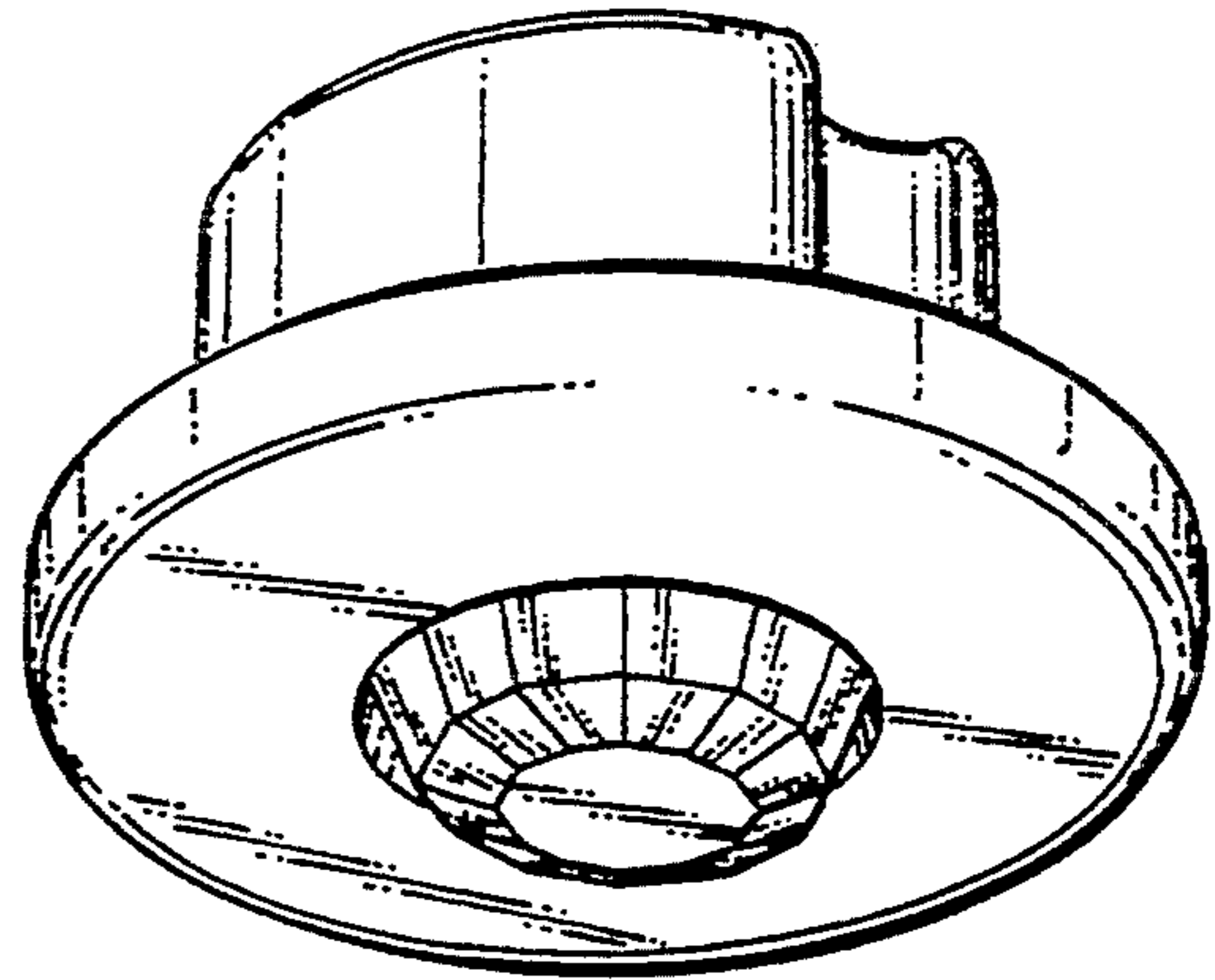


FIG. 1.

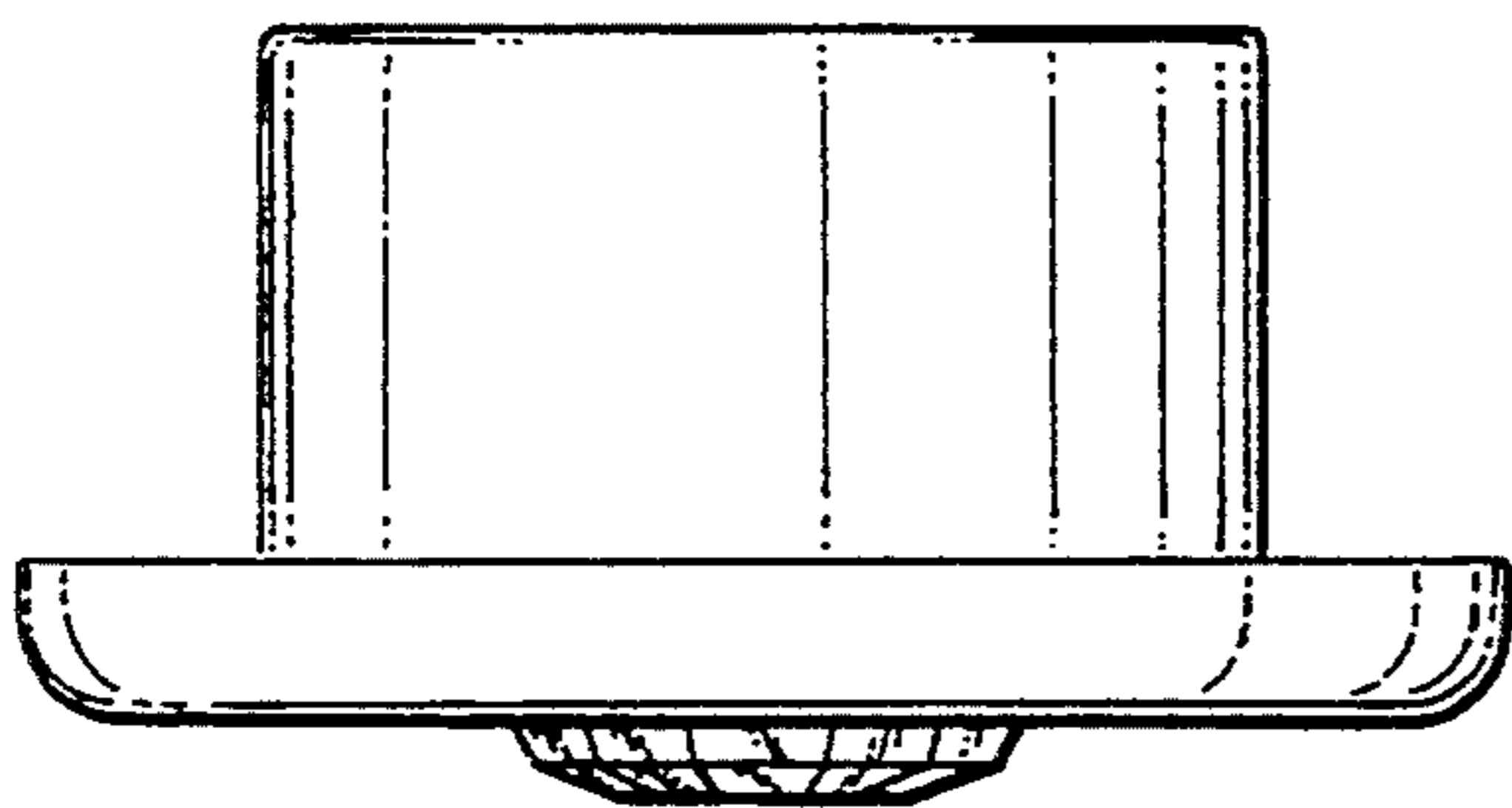


FIG. 3.

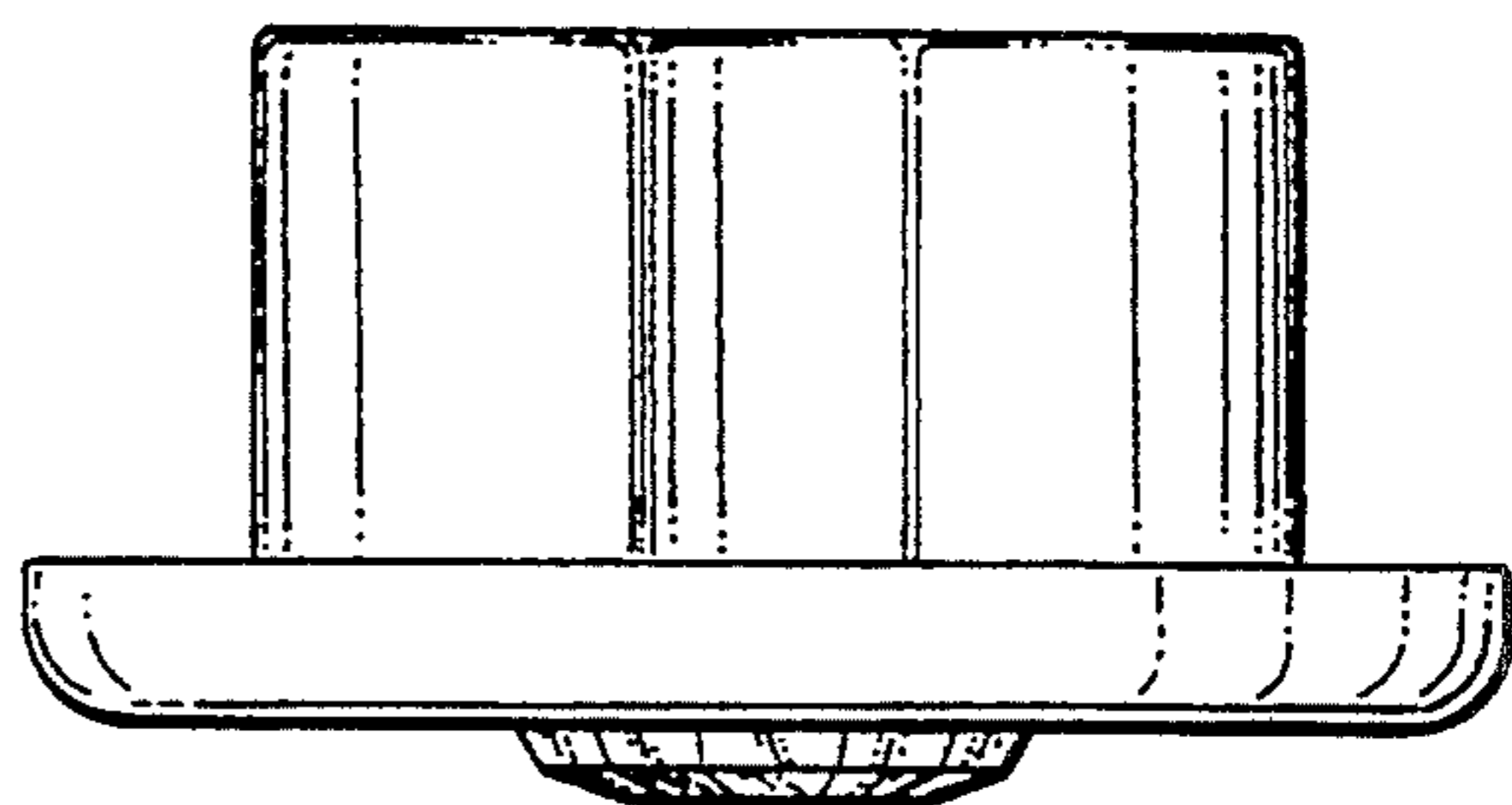


FIG. 4.

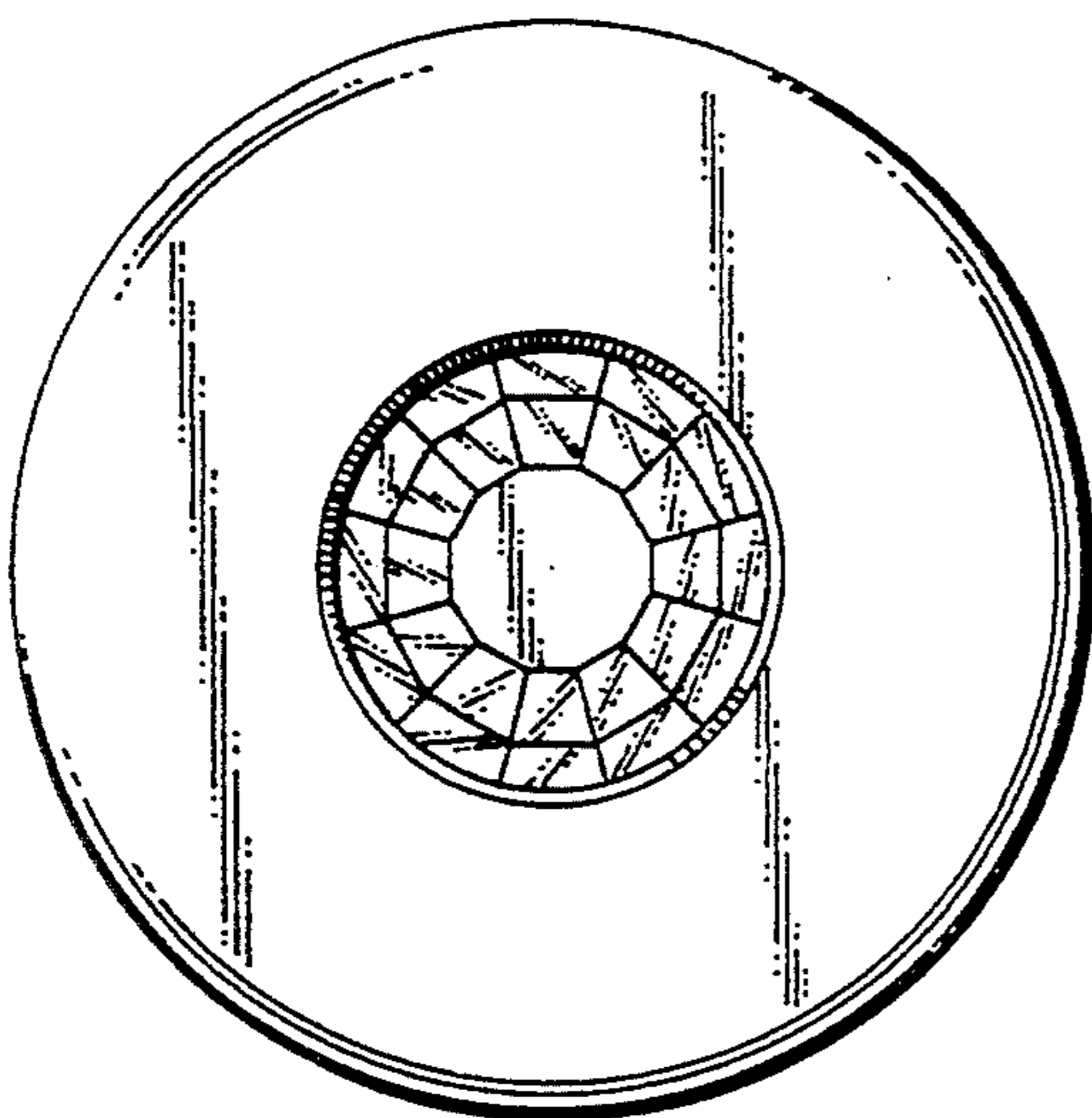


FIG. 5.