



US00D360838S

# United States Patent [19]

Lin

[11] Patent Number: **Des. 360,838**

[45] Date of Patent: **\*\* Aug. 1, 1995**

[54] MEASURING TAPE

[75] Inventor: **Henry Lin, Shin Chung, Taiwan**

[73] Assignee: **Index Measuring Tape Co., Ltd., Shin Chung, Taiwan**

[\*\*] Term: **14 Years**

[21] Appl. No.: **25,147**

[22] Filed: **Jun. 9, 1994**

[52] U.S. Cl. .... **D10/72**

[58] Field of Search ..... **D10/72; 33/755-769**

[56] **References Cited**

**U.S. PATENT DOCUMENTS**

- D. 186,623 11/1959 Schwartz ..... D10/72
- 2,076,704 4/1937 Carlson ..... 33/766
- 2,575,354 11/1951 Mills ..... 33/767 X
- 2,649,787 8/1953 Kobayashi ..... D10/72 X

- 2,702,402 2/1955 Haas ..... 33/767 X
- 3,255,531 6/1966 Anderson ..... 33/765

**FOREIGN PATENT DOCUMENTS**

- 943824 12/1963 United Kingdom ..... 33/765

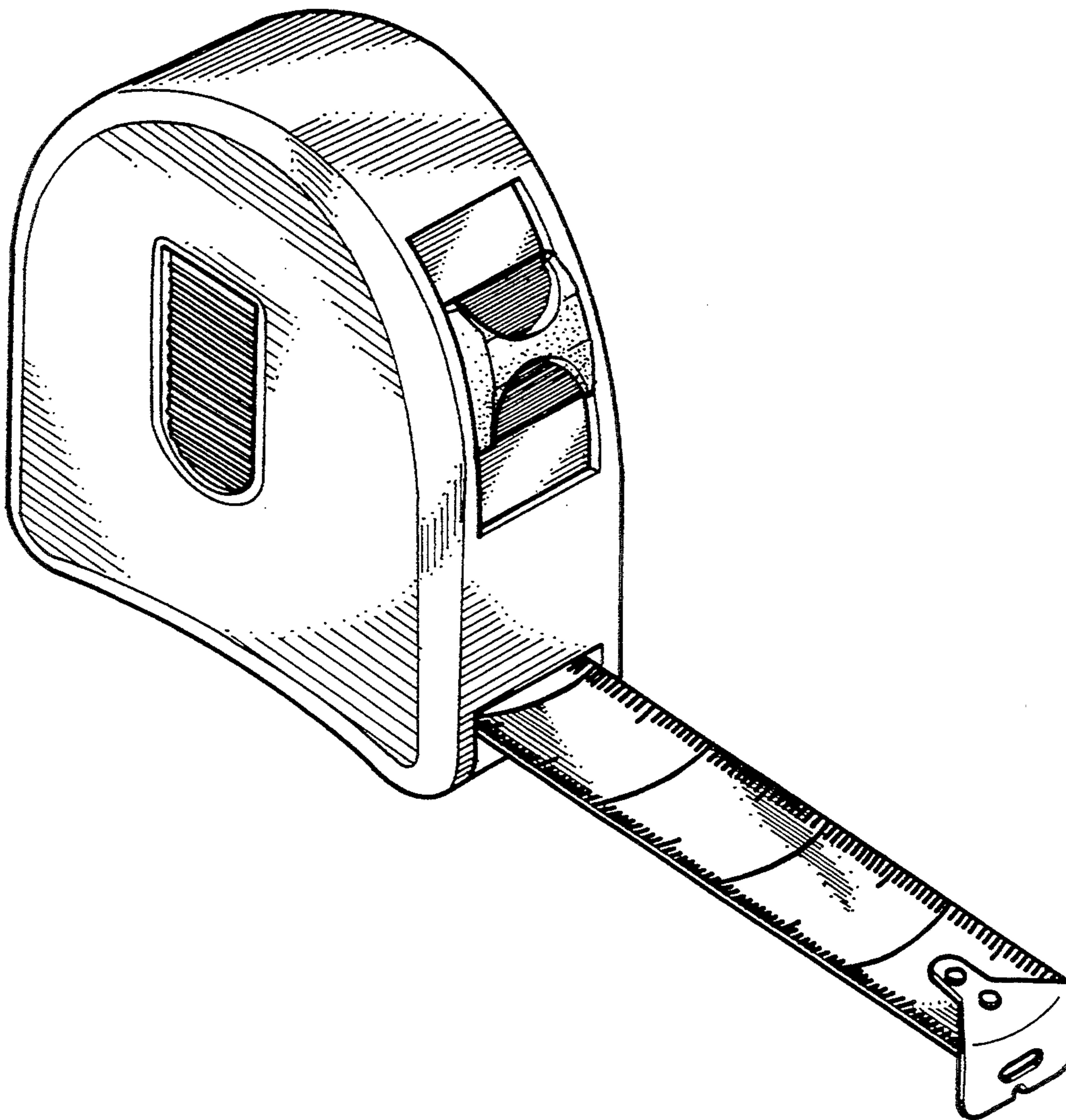
*Primary Examiner*—Antoine Duval Davis

[57] **CLAIM**

The ornamental design for a measuring tape, as shown and described.

**DESCRIPTION**

FIG. 1 is a top, rear and left perspective view of a measuring tape showing my new design;  
 FIG. 2 is a front elevational view thereof;  
 FIG. 3 is a rear elevational view thereof;  
 FIG. 4 is a top plan view thereof;  
 FIG. 5 is a bottom plan view thereof;  
 FIG. 6 is a left side elevational view thereof; and,  
 FIG. 7 is a right side elevational view thereof.



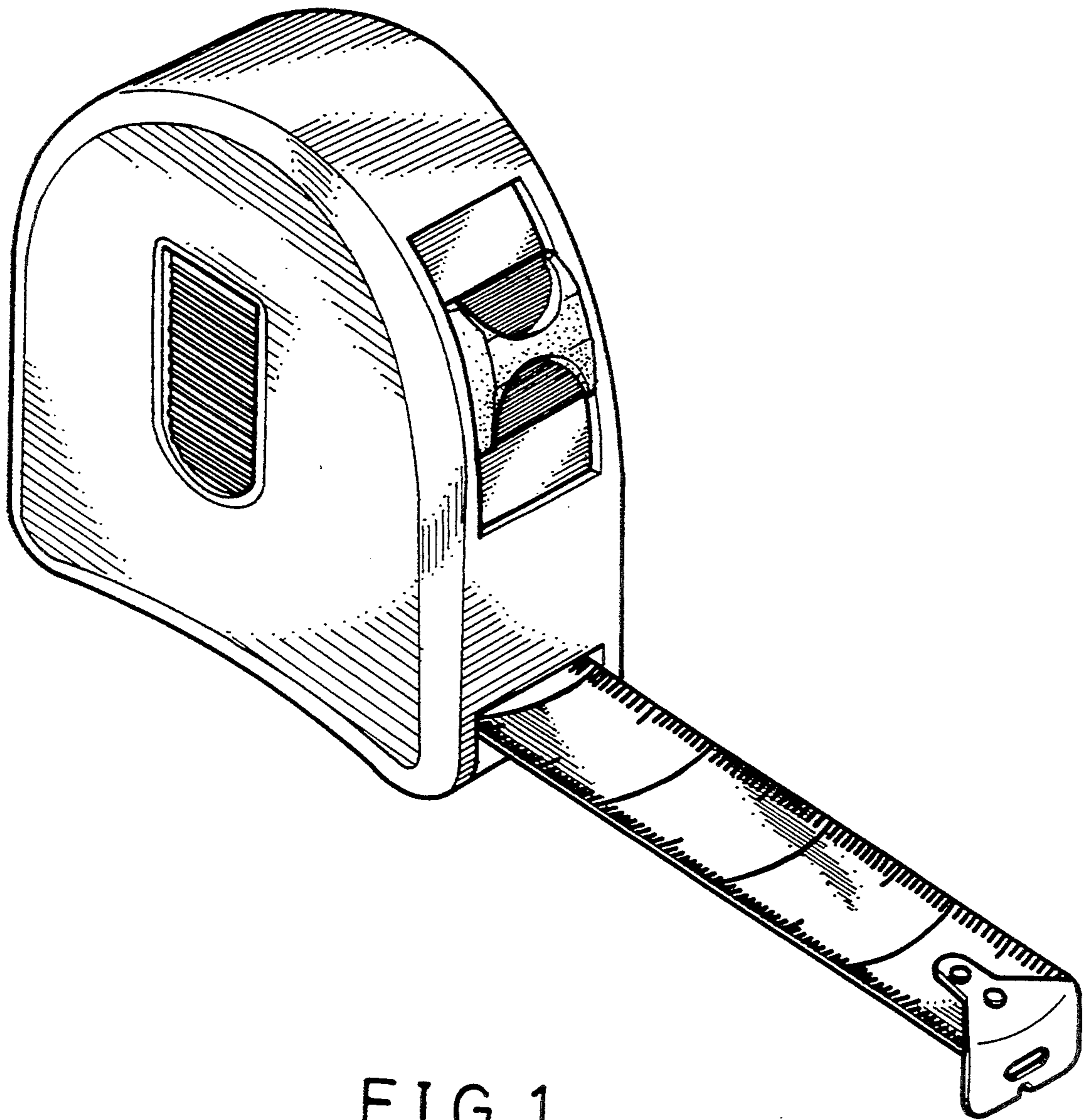


FIG. 1

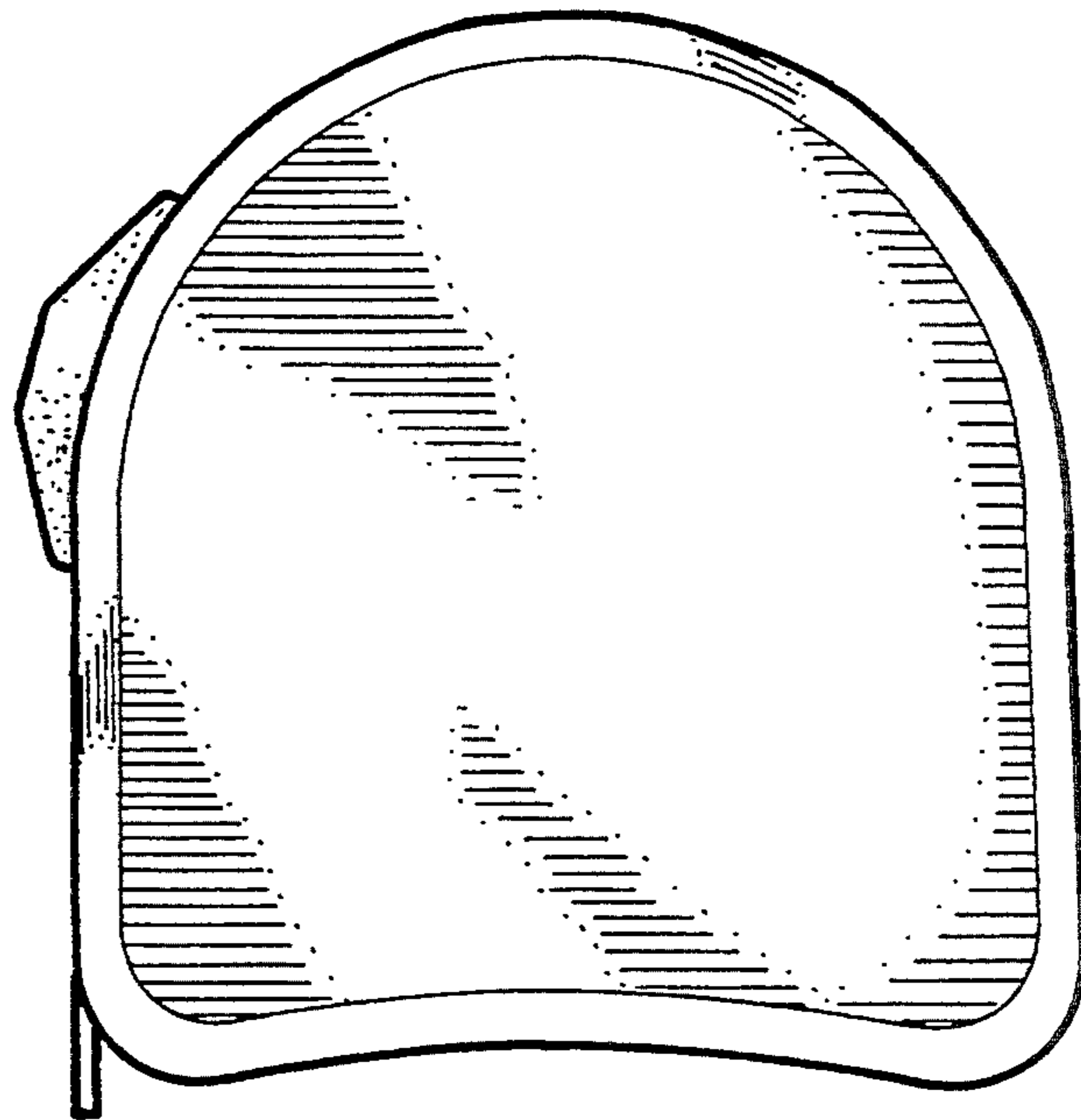


FIG. 2

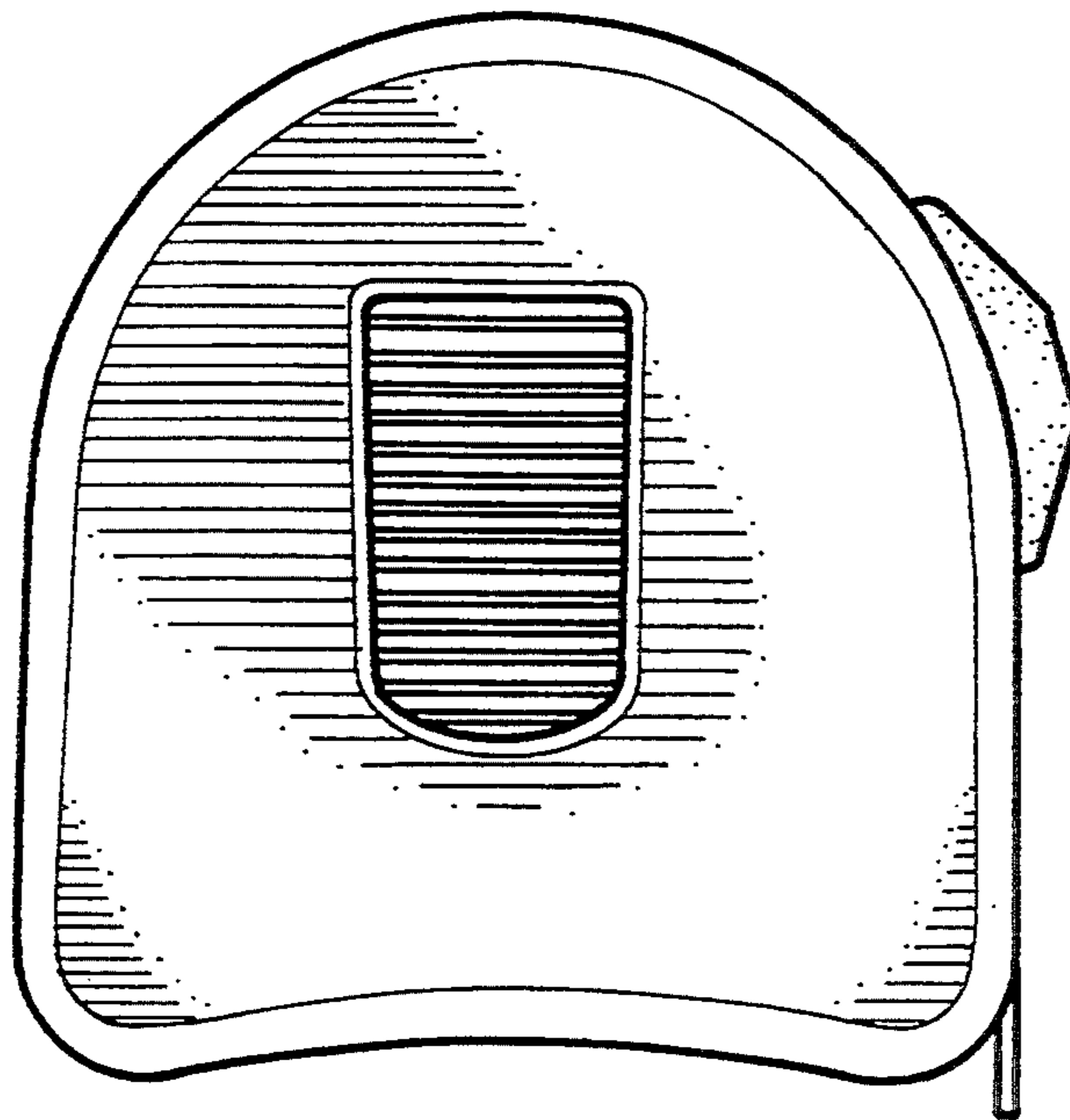


FIG. 3

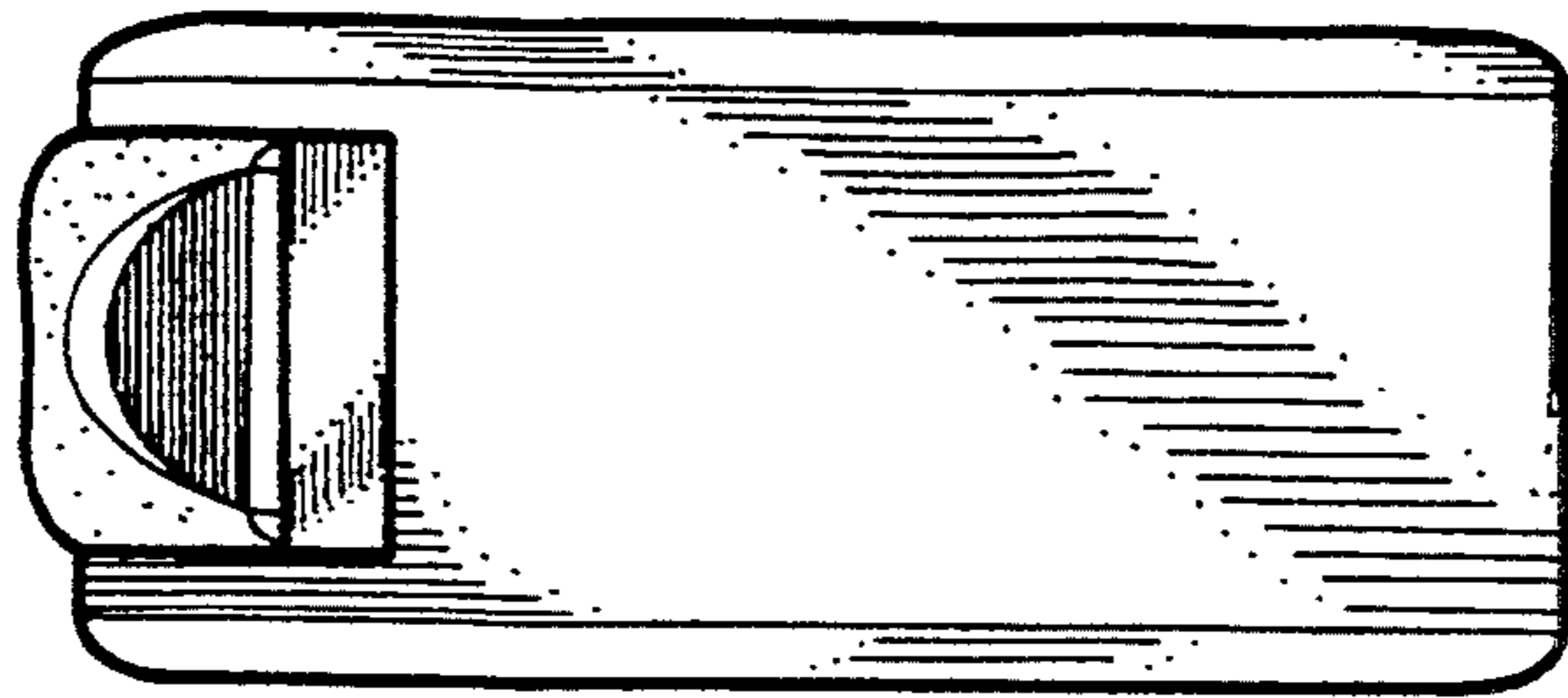


FIG. 4

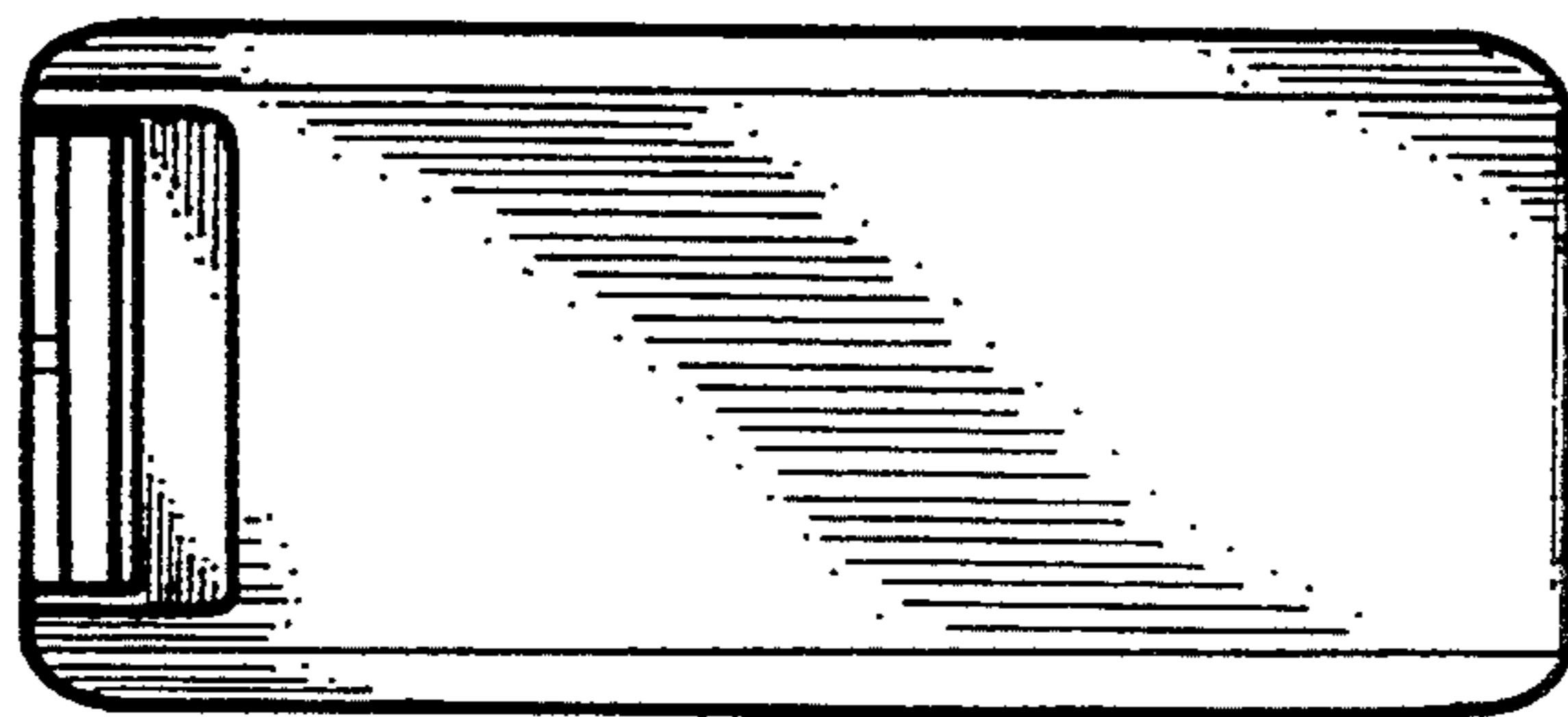


FIG. 5

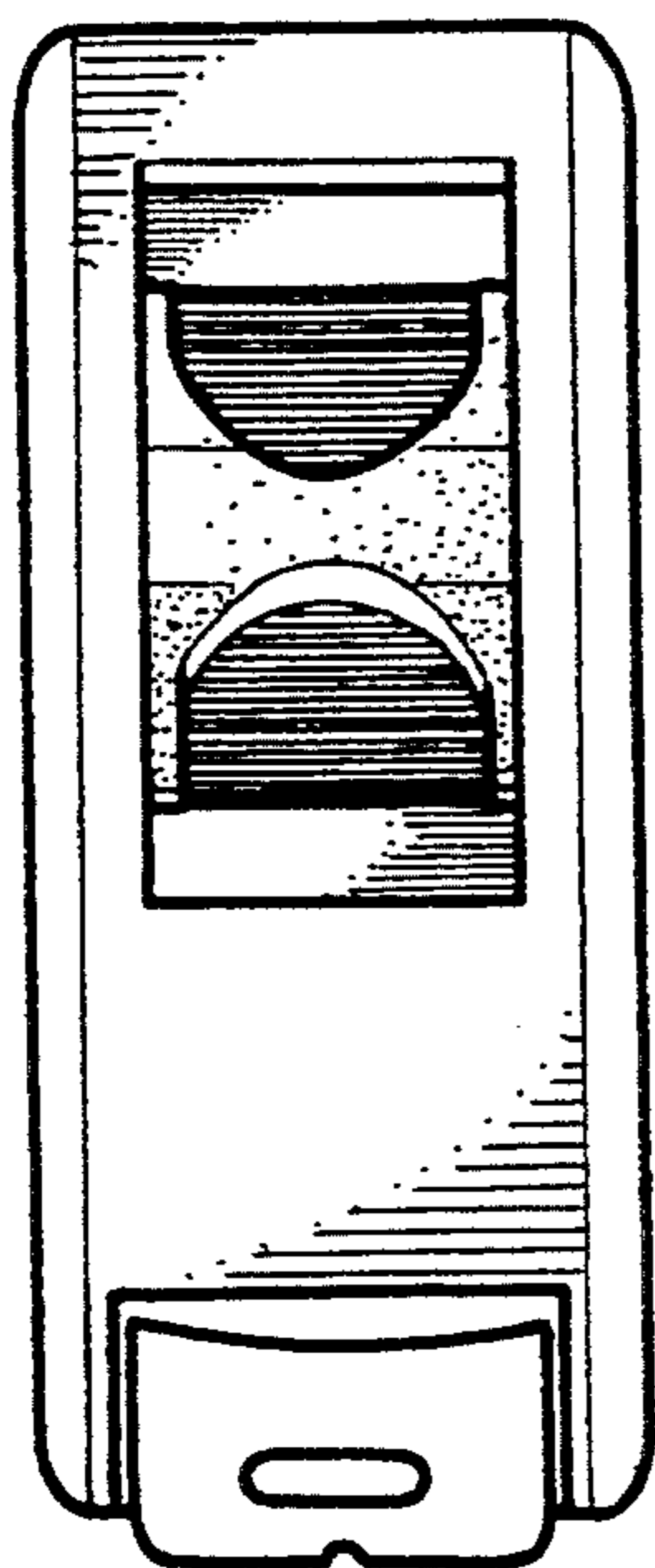


FIG. 6

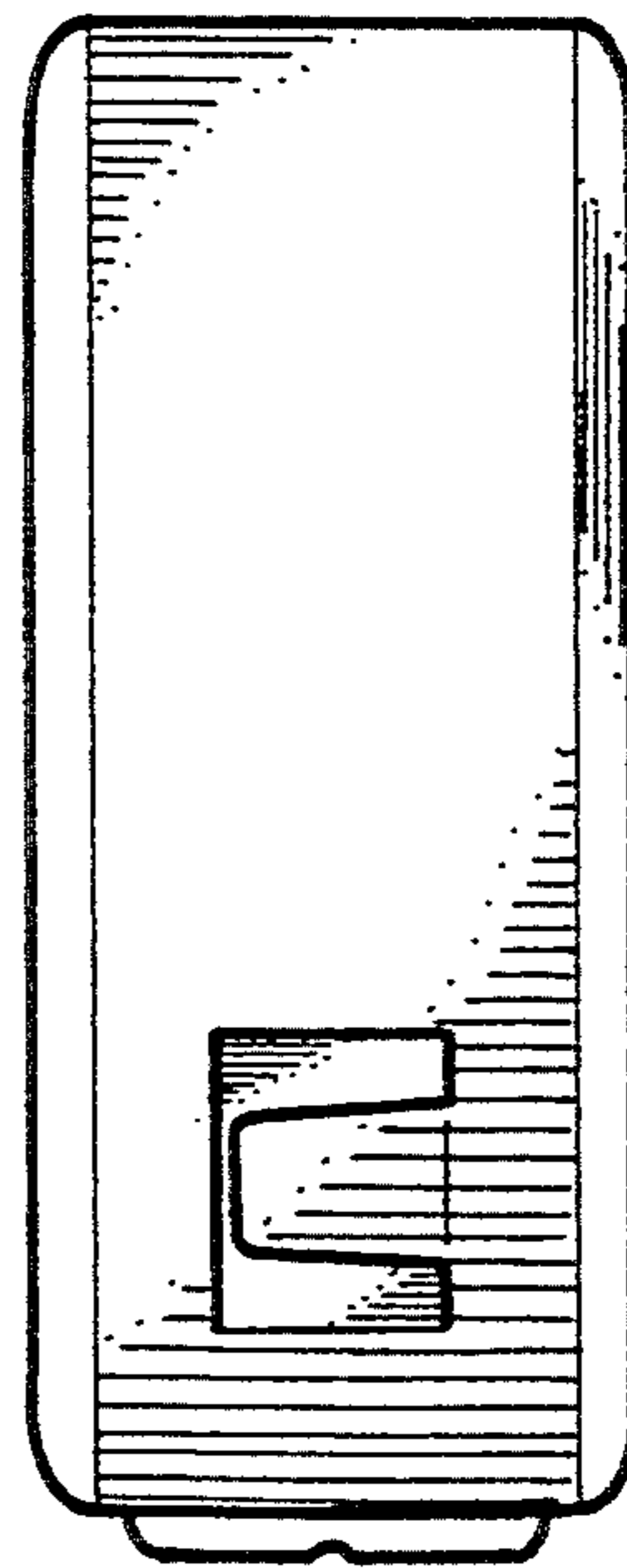


FIG. 7