



US00D360837S

United States Patent [19]

[11] Patent Number: **Des. 360,837**

Chui

[45] Date of Patent: **** Aug. 1, 1995**

[54] **COMBINED SECURITY DEVICE TORCH AND COMPASS**

[56] **References Cited**

U.S. PATENT DOCUMENTS

[75] Inventor: **Lawrence L. S. Chui, Kwun Tong, Hong Kong**

D. 313,663 1/1991 Yuen D26/38
D. 340,300 10/1993 Yuen D26/38

[73] Assignee: **Lung Sun Plastic & Metal Factory Limited, Hong Kong**

Primary Examiner—Antoine Duval Davis
Attorney, Agent, or Firm—Pollock, Vande Sande & Priddy

[**] Term: **14 Years**

[57] **CLAIM**

The ornamental design for a combined security device torch and compass, as shown.

[21] Appl. No.: **25,237**

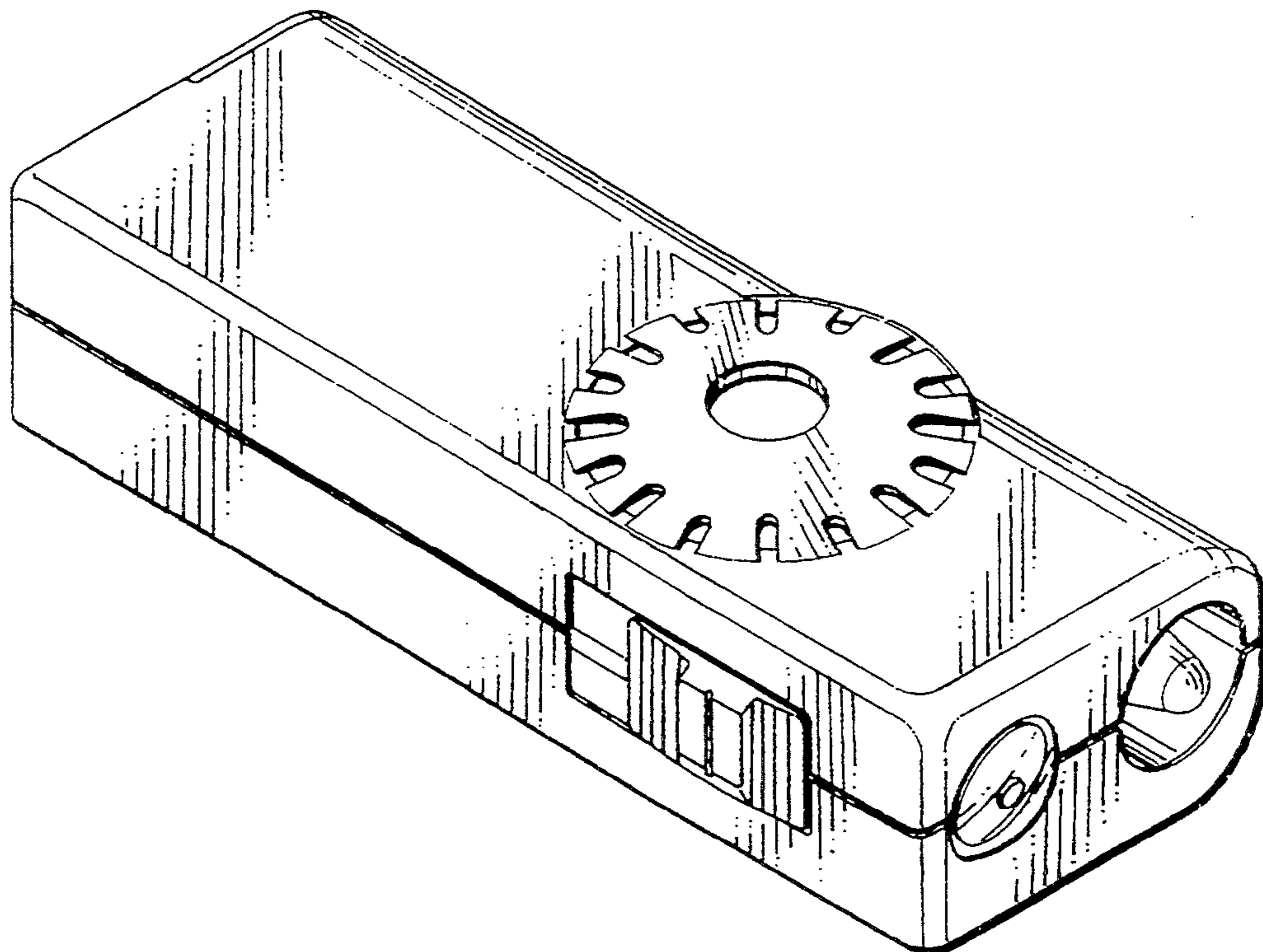
DESCRIPTION

[22] Filed: **Jun. 28, 1994**

[52] U.S. Cl. **D10/62; D10/68; D26/38**

FIG. 1 is a front view;
FIG. 2 is a rear view;
FIG. 3 is a view from one side;
FIG. 4 is a view from the other side;
FIG. 5 is a plan view;
FIG. 6 is an underneath view; and,
FIG. 7 is a perspective view.

[58] Field of Search **D10/62, 68; D26/30-50; 33/355 R-355 D; 362/157, 158, 183-288**



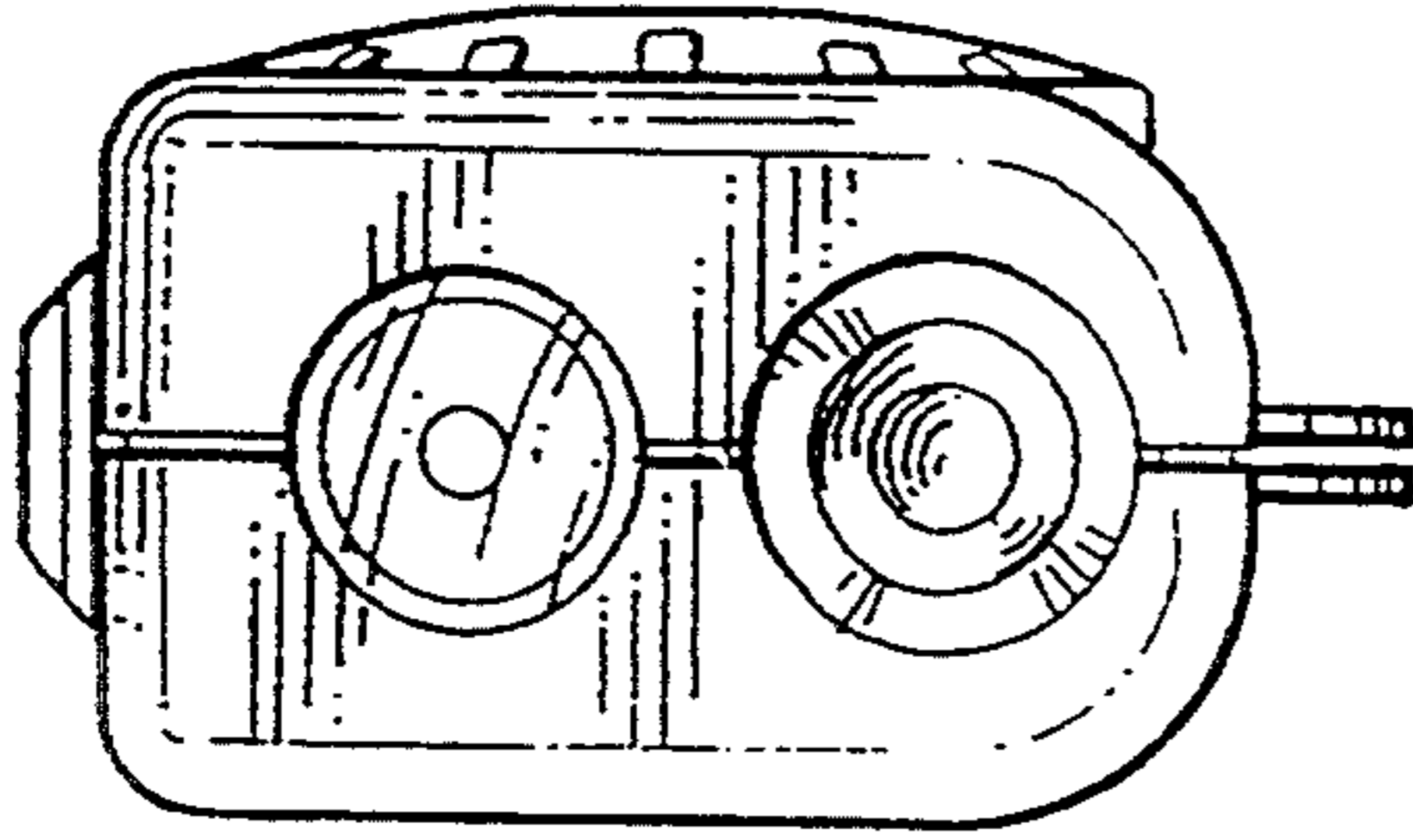


FIG. 1

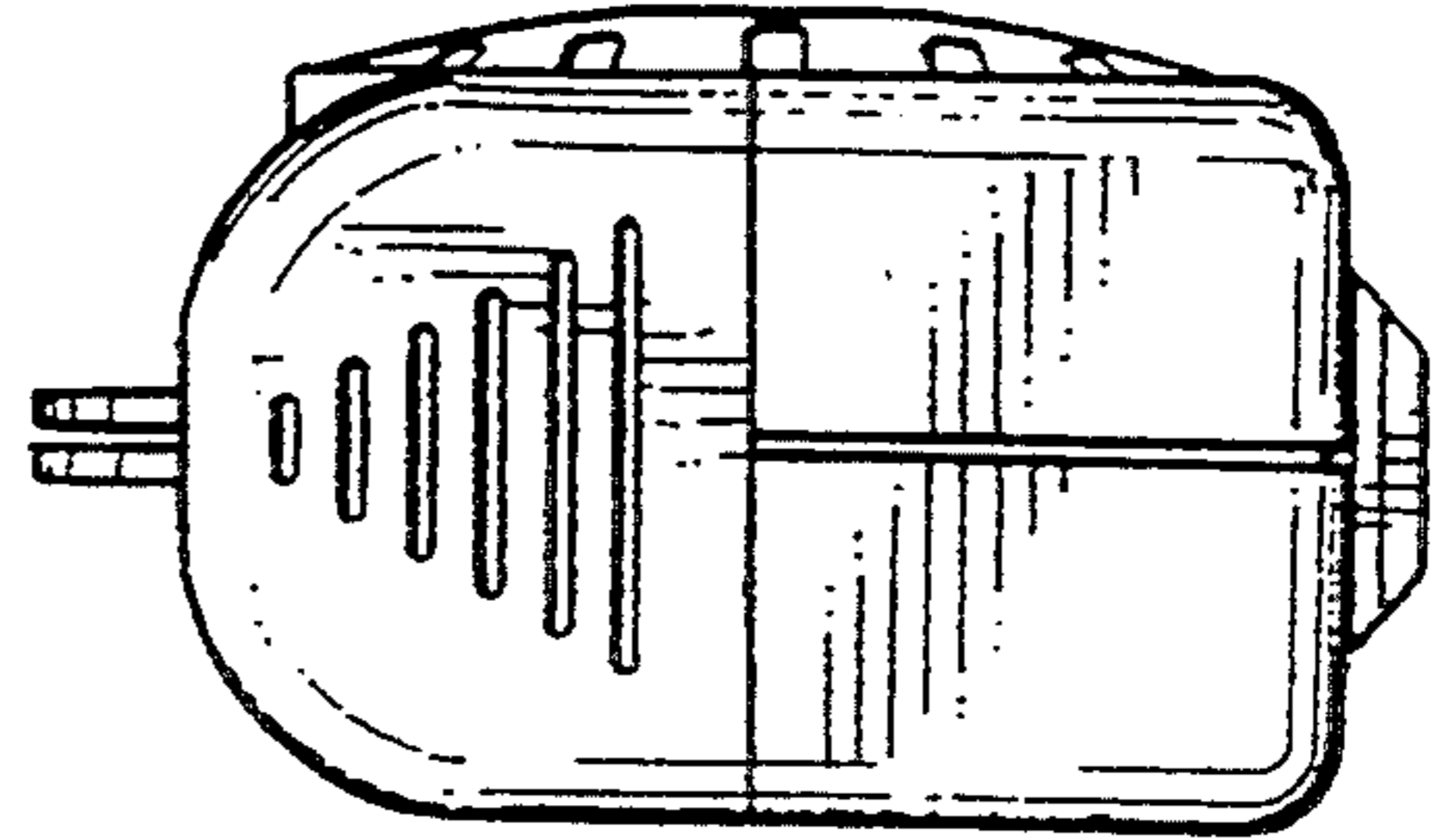


FIG. 2

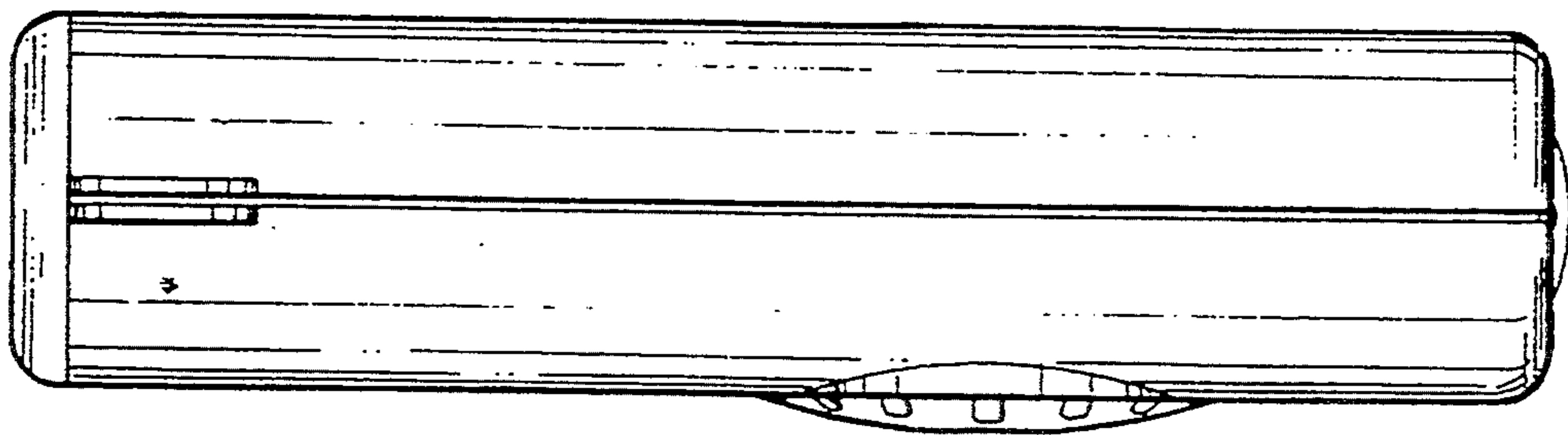


FIG. 3

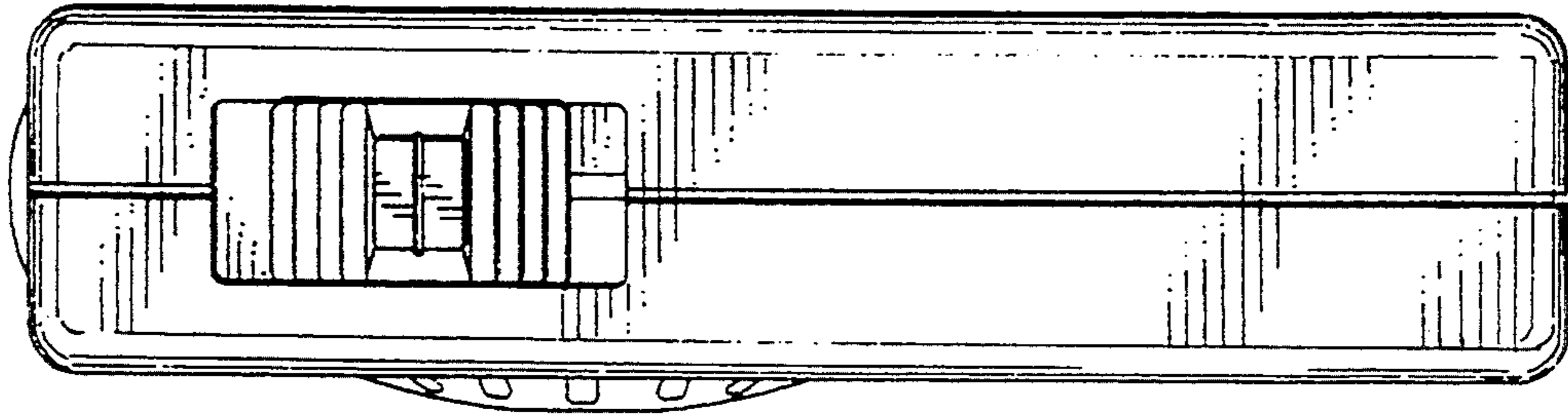


FIG. 4

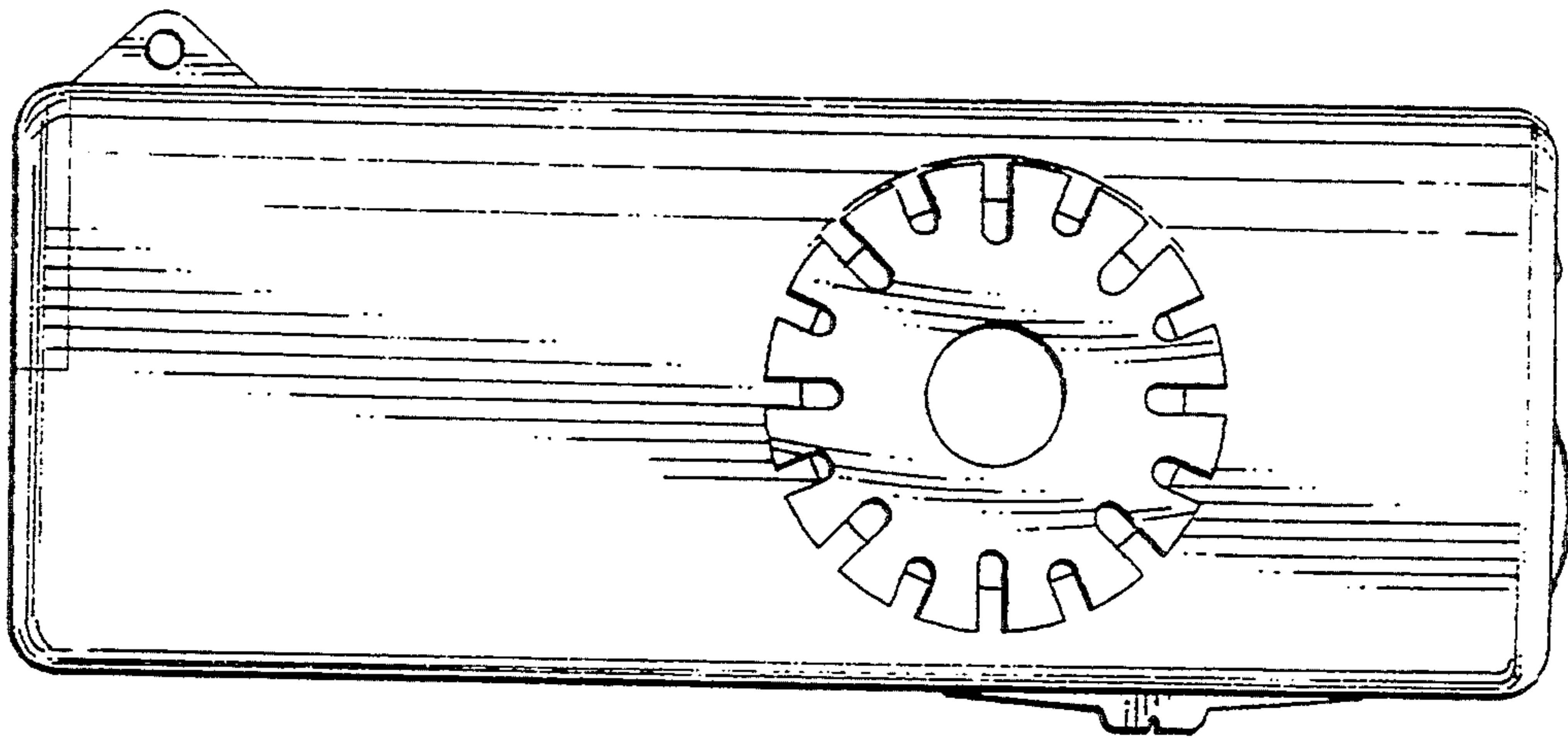


FIG. 5

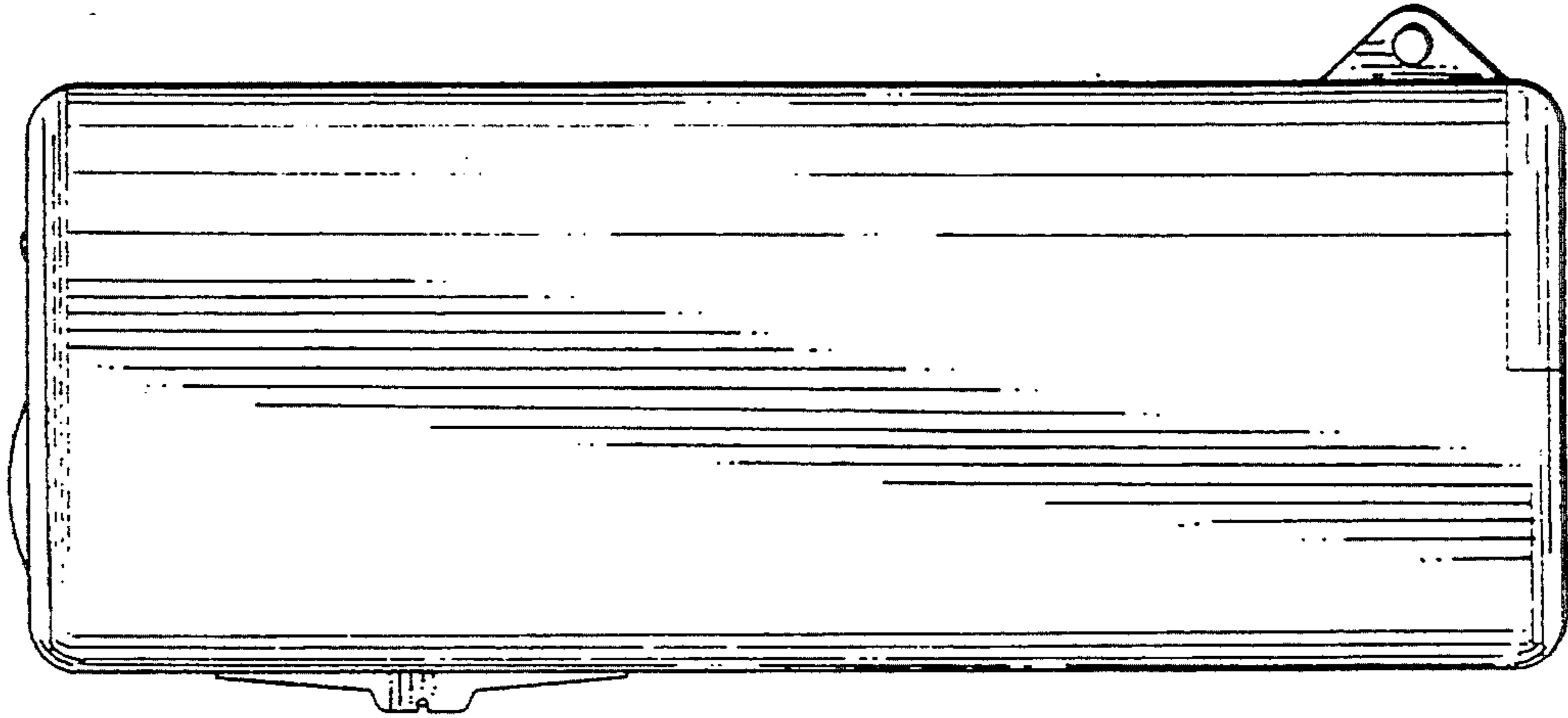


FIG. 6

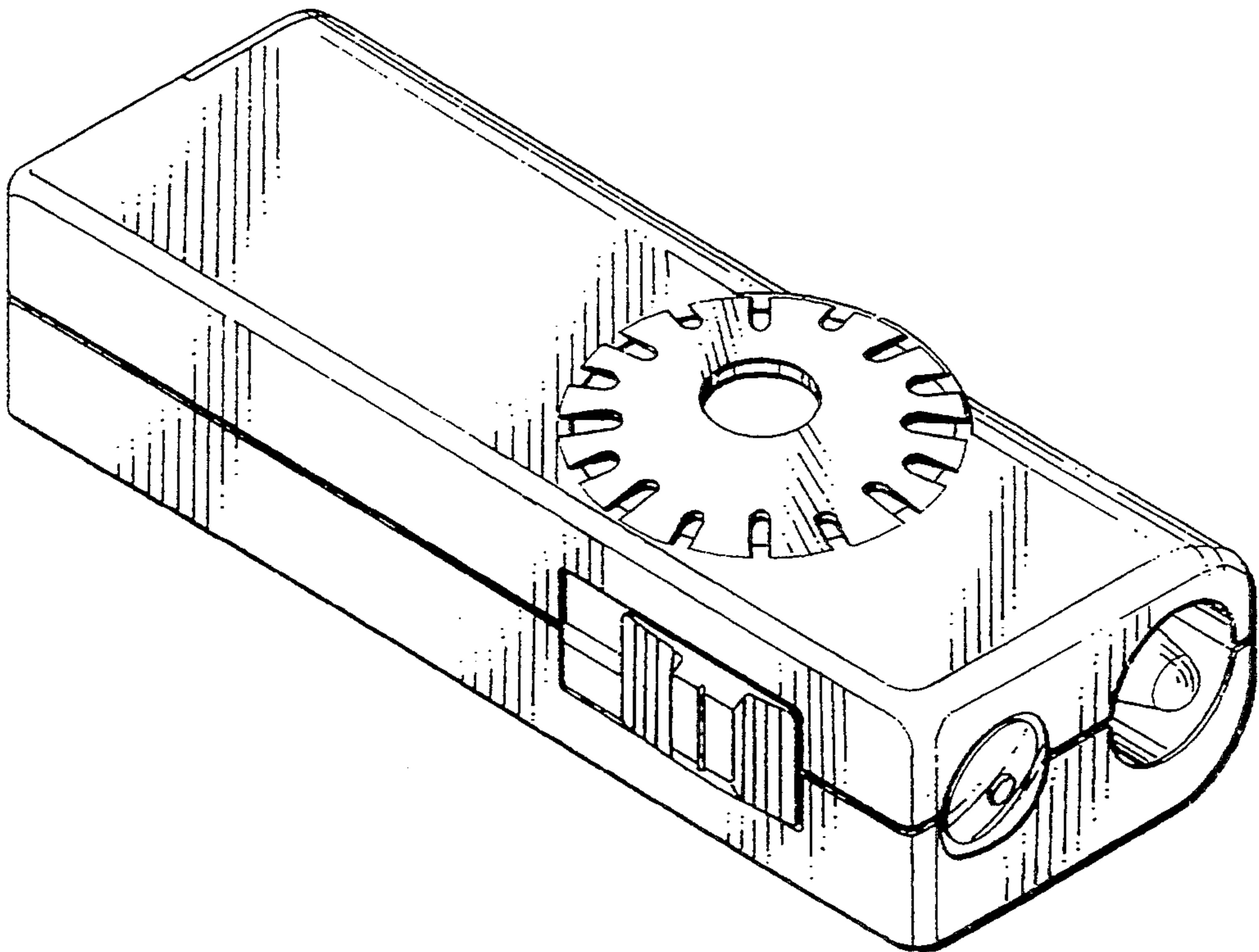


FIG. 7