



US00D360830S

United States Patent [19]

[11] Patent Number: Des. 360,830

Hestehave et al.

[45] Date of Patent: ** Aug. 1, 1995

[54] WATER BOTTLE

[75] Inventors: **Borge Hestehave**, Alta Loma; **Kjeld Hestehave**, Upland, both of Calif.

[73] Assignee: **Bomatic, Inc.**, Ontario, Calif.

[**] Term: **14 Years**

[21] Appl. No.: **10,975**

[22] Filed: **Jul. 23, 1993**

[52] U.S. Cl. **D9/520; D9/531; D9/566; D9/567**

[58] Field of Search **D9/531, 520, 560, 563, D9/566, 567, 546, 541, 542, 543; D7/306, 307; 215/1 R, 1 C, 100 A; 220/771**

[56] **References Cited**

U.S. PATENT DOCUMENTS

- D. 241,516 9/1976 Harris, Jr. D9/531
- D. 270,616 9/1983 Cox D9/531

- D. 287,934 1/1987 Harris, Jr. D9/560 X
- D. 311,329 10/1990 Frahm et al. D9/560
- D. 311,862 11/1990 Cullis D9/531 X
- D. 313,177 12/1990 Larson D9/520
- D. 339,067 9/1993 Rokus D9/531

Primary Examiner—Lucy J. Lieberman
Attorney, Agent, or Firm—Sixbey, Friedman, Leedom & Ferguson; David S. Safram

[57] **CLAIM**

The ornamental design for a water bottle, as shown.

DESCRIPTION

FIG. 1 is a top, front and right side perspective view of a water bottle showing our new design; FIG. 2 is a front elevation thereof; FIG. 3 is a rear elevation thereof; FIG. 4 is a right side elevation thereof; FIG. 5 is a left side elevation thereof; FIG. 6 is a top plan view thereof; and, FIG. 7 is a bottom plan view thereof.

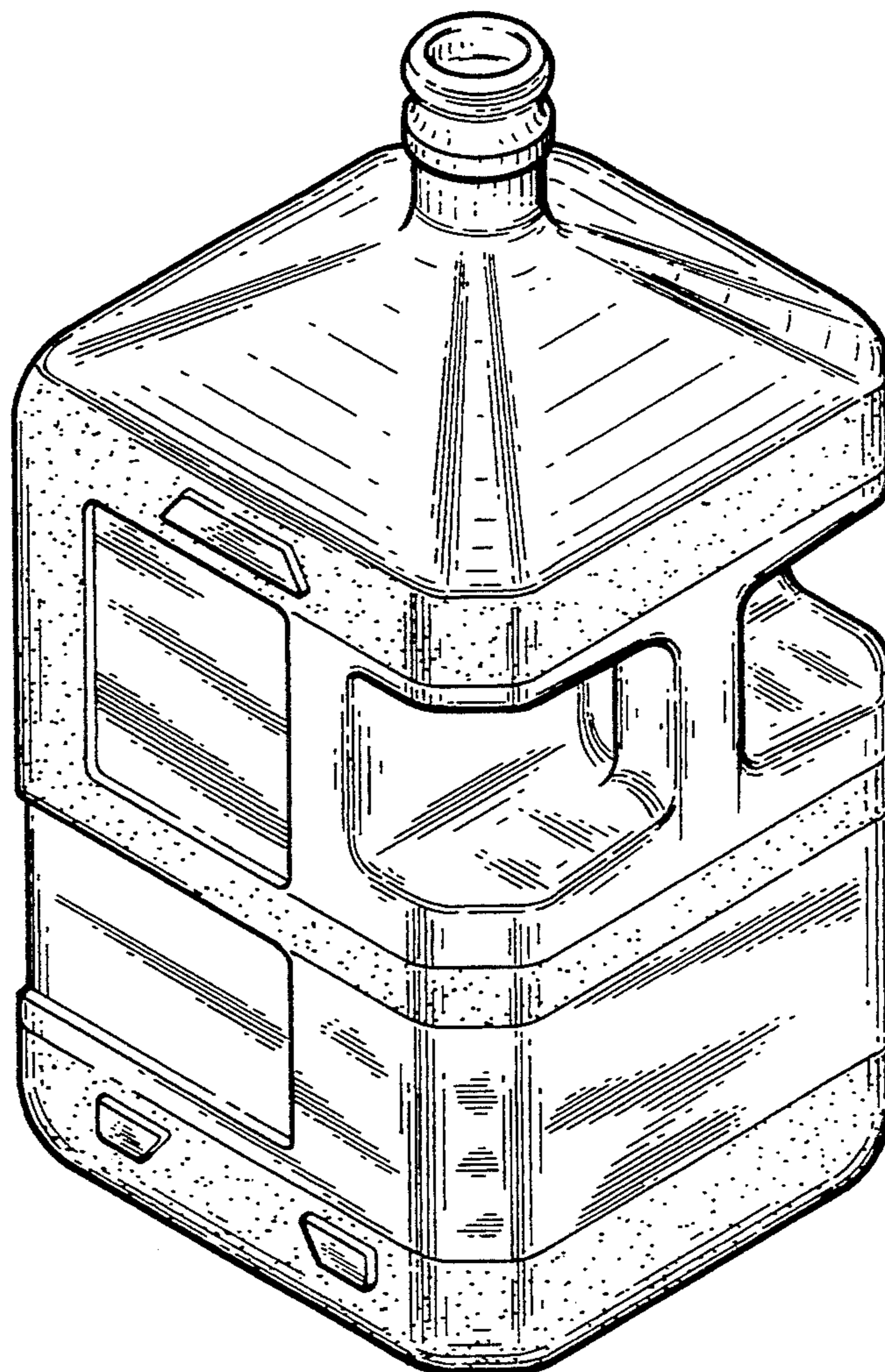
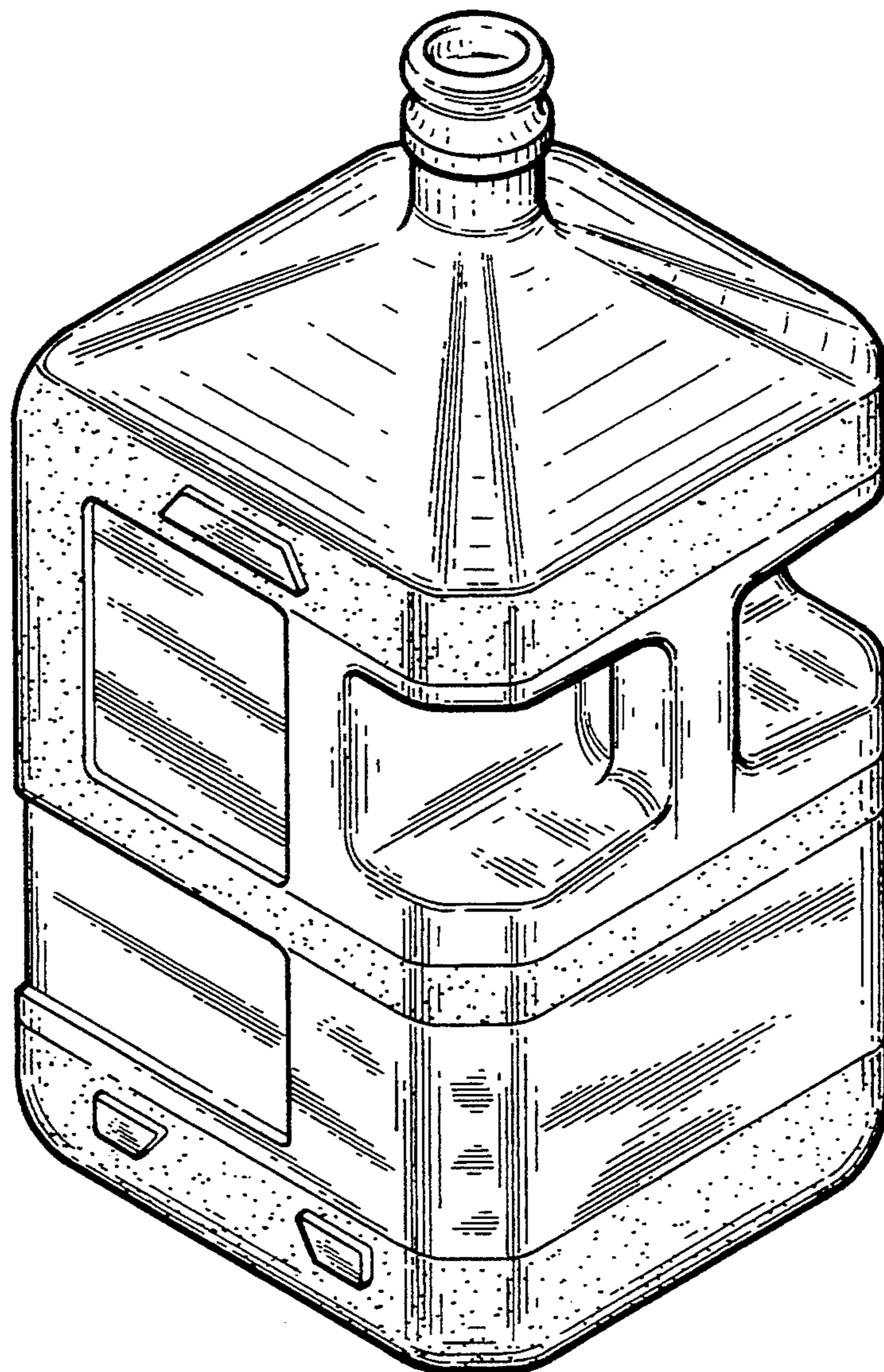
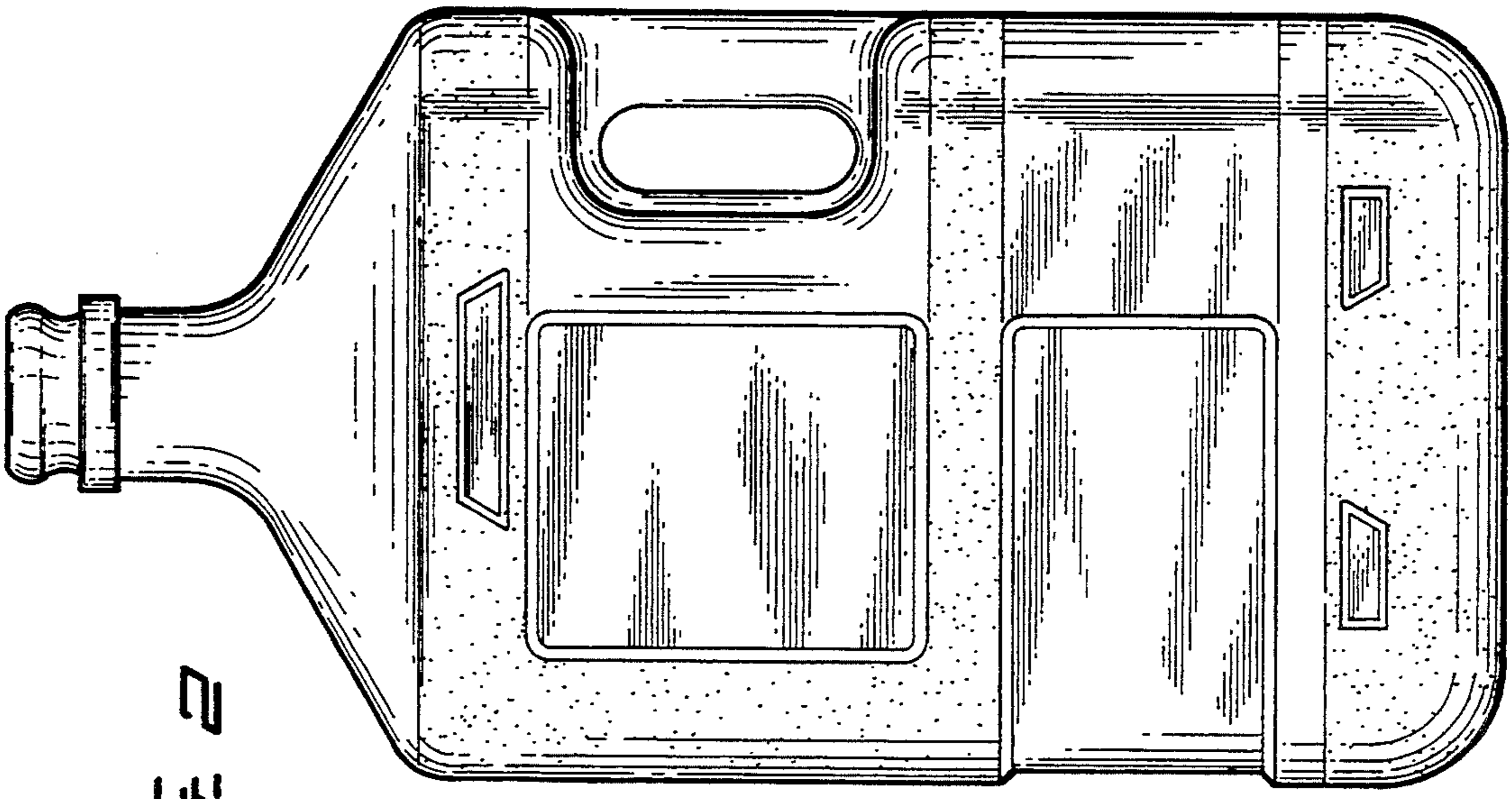
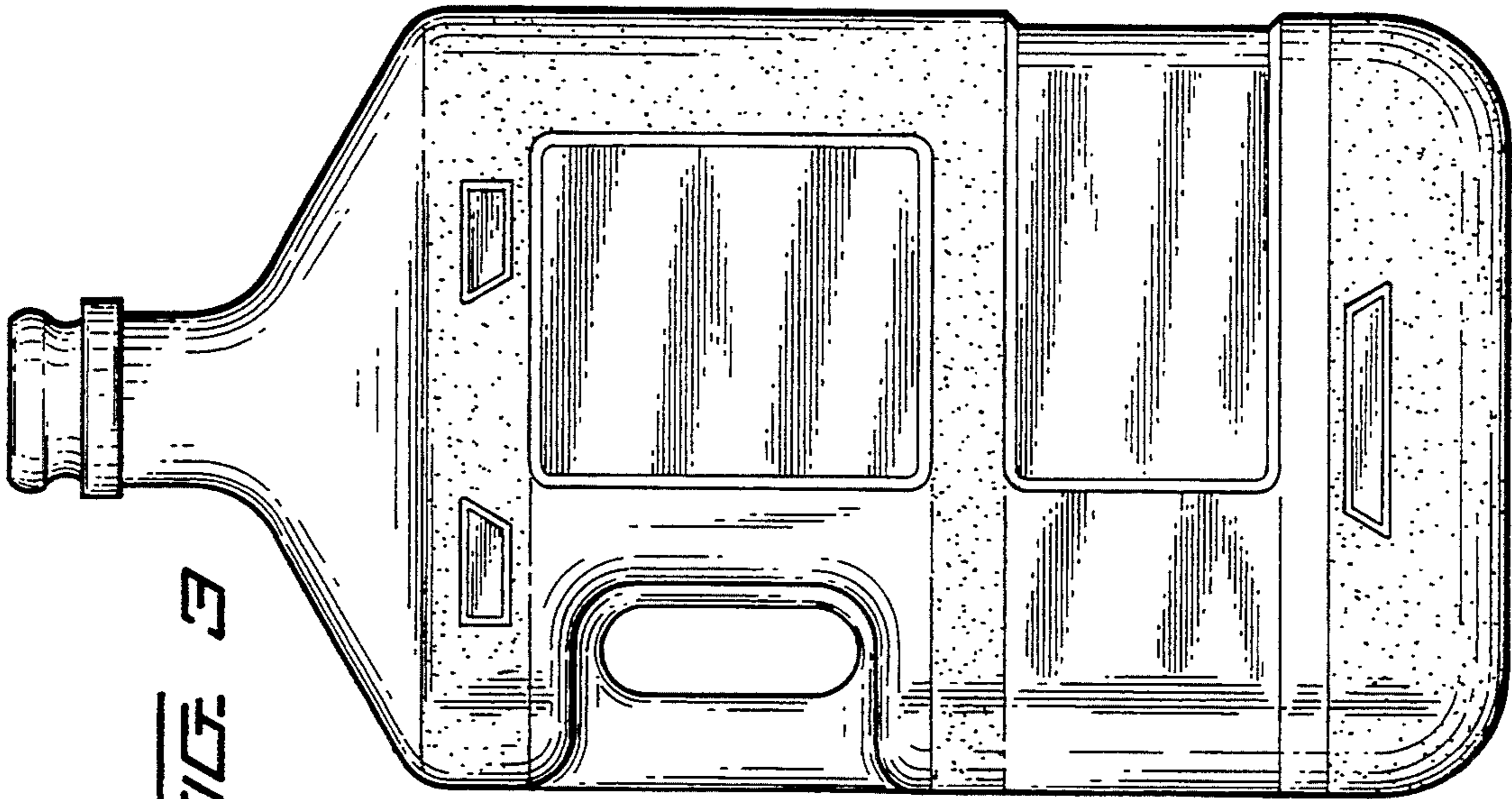


FIG. 1





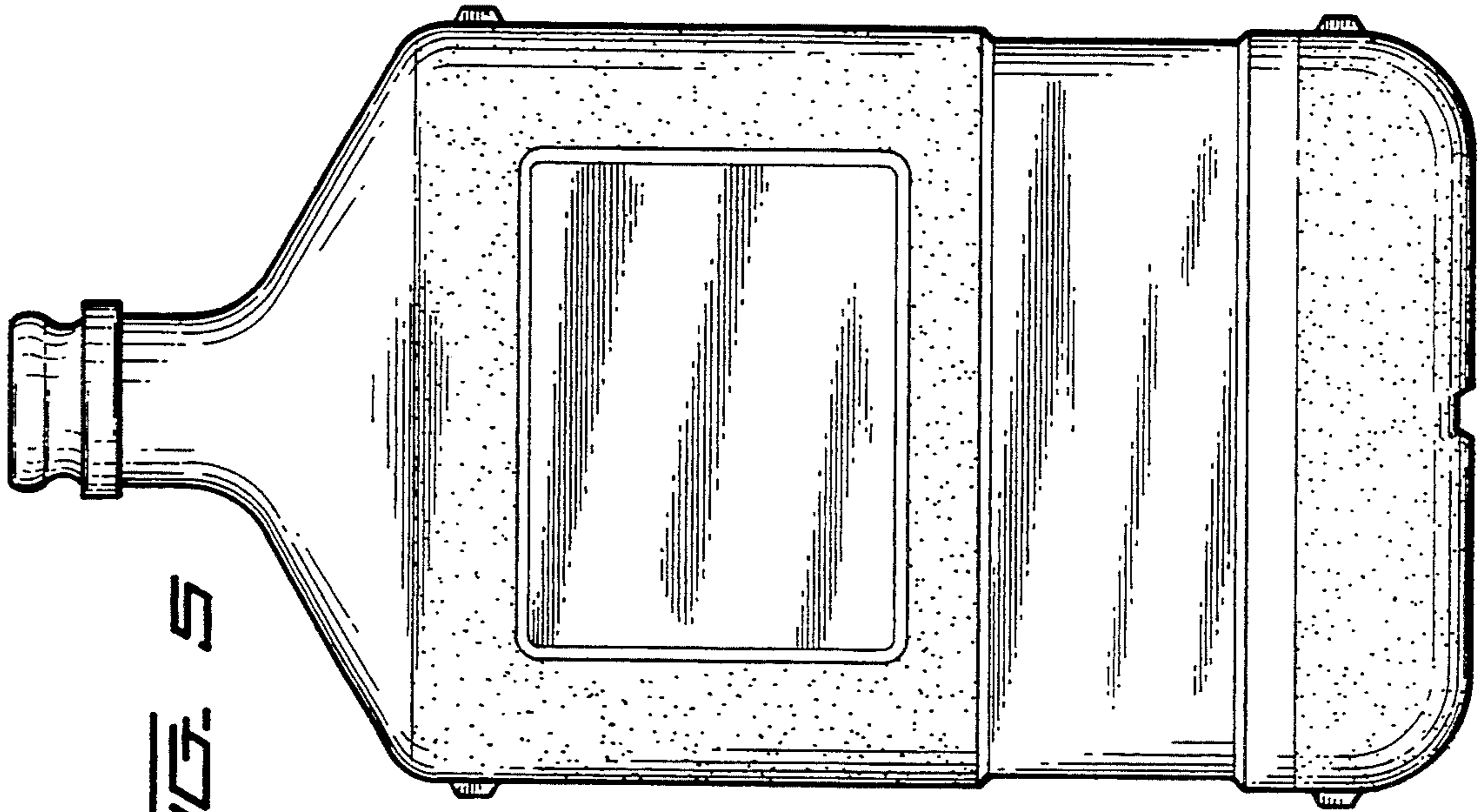


FIG. 5

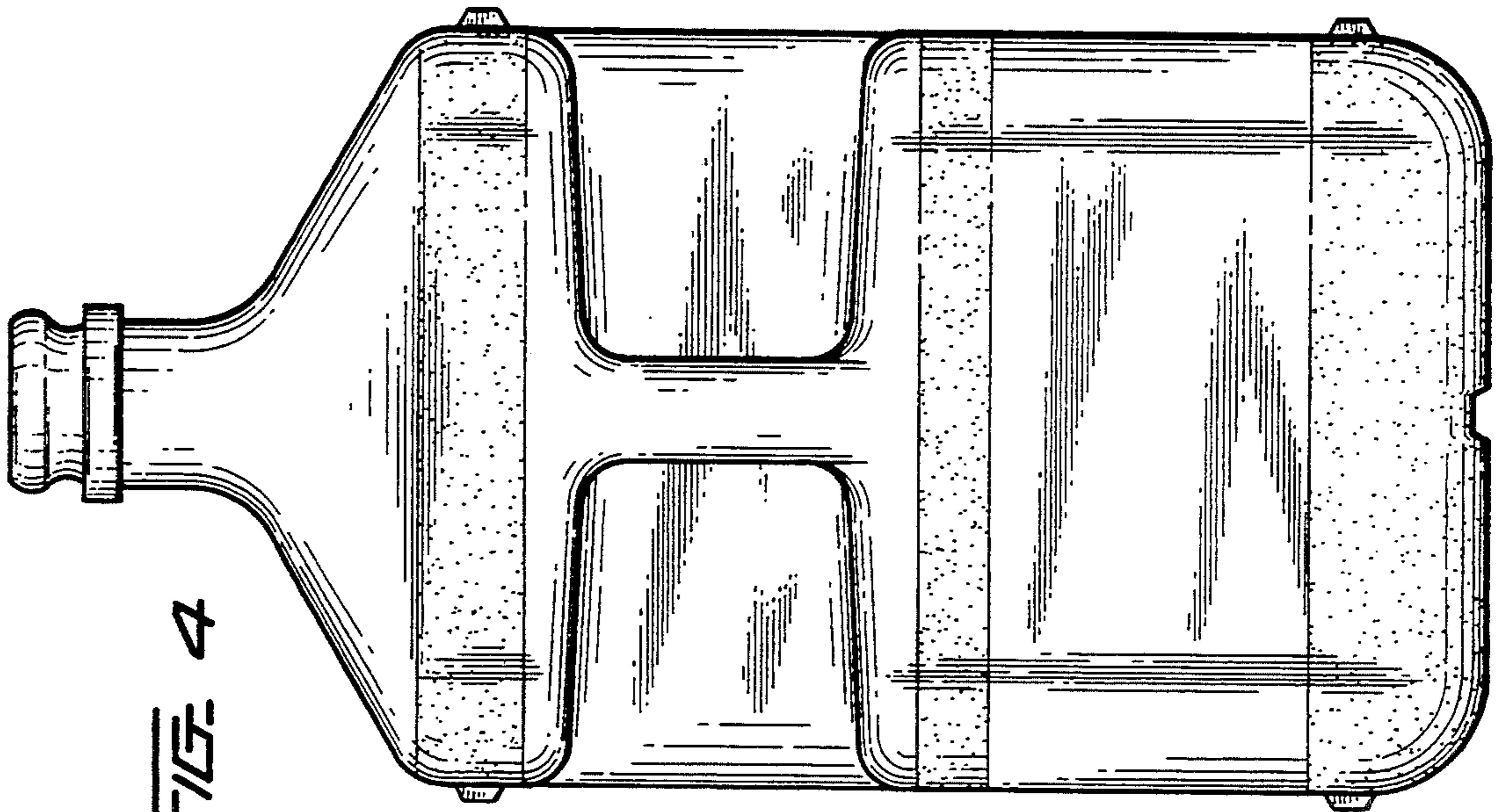


FIG. 4

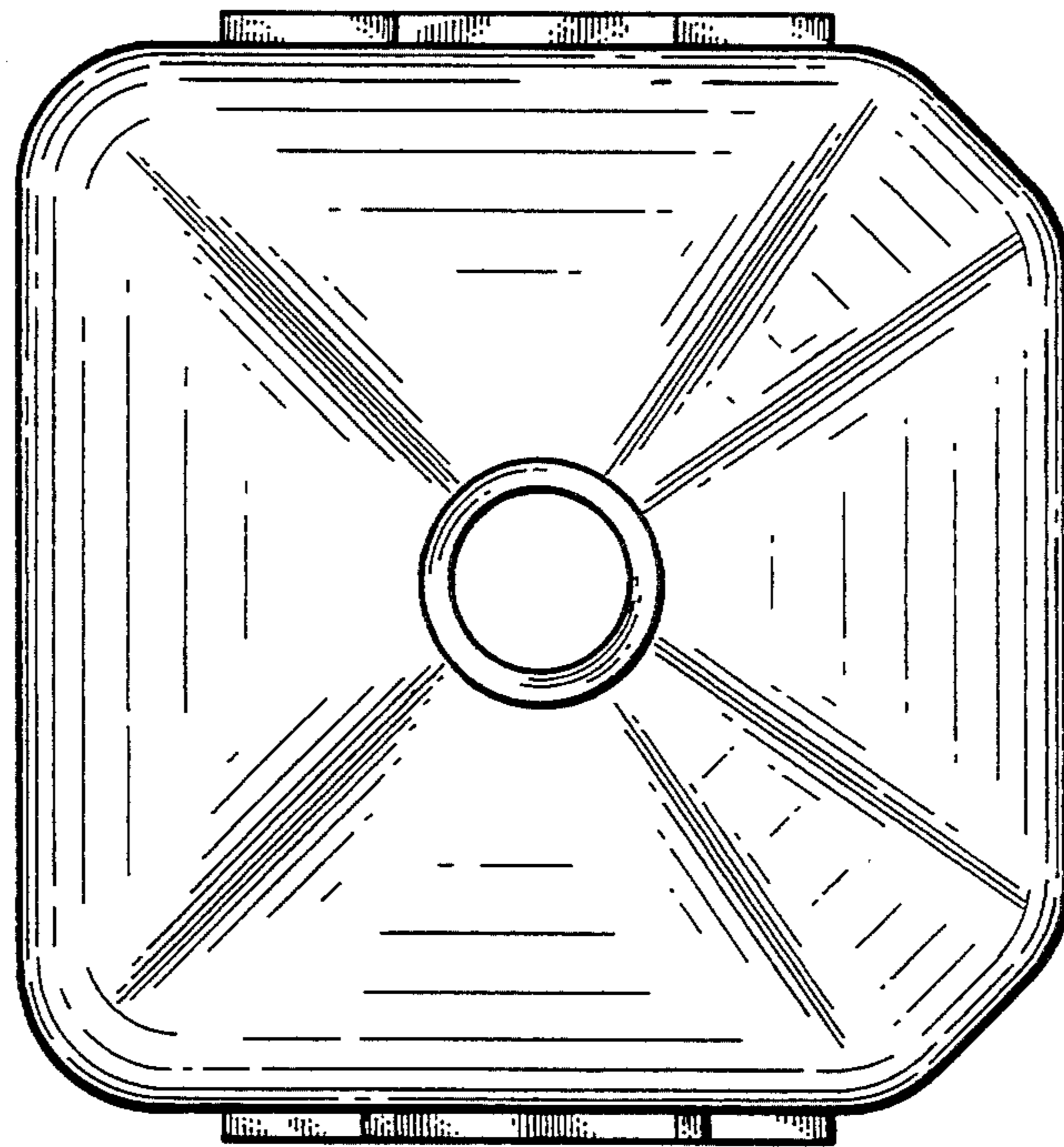


FIG. 6

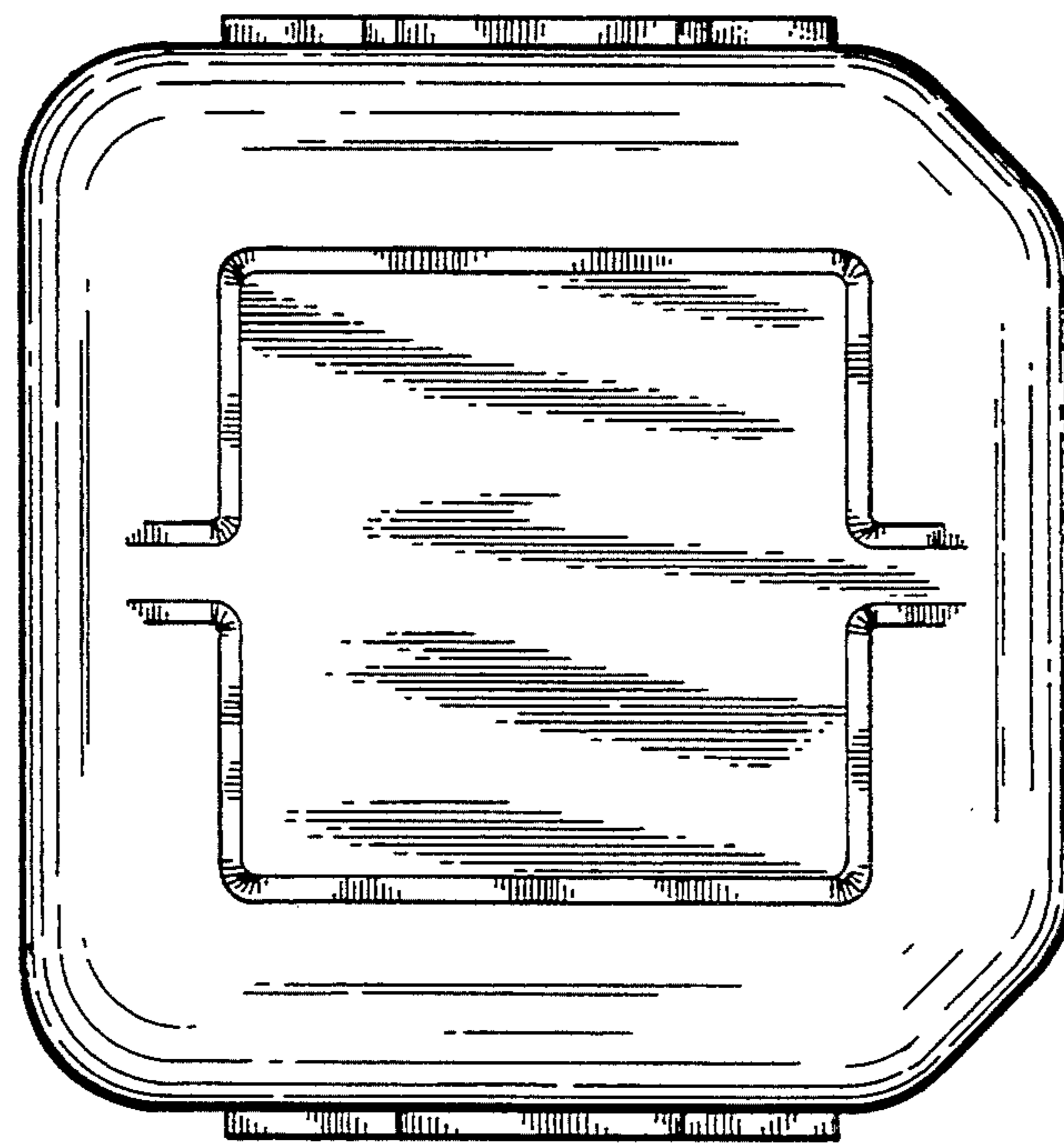


FIG. 7