



US00D360827S

United States Patent [19] Mats

[11] Patent Number: **Des. 360,827**

[45] Date of Patent: **** Aug. 1, 1995**

[54] **PACKAGE**

[75] Inventor: **Lindgren Mats**, Museivägen, Sweden

[73] Assignee: **General Protection Dalecarlia AB**,
Vikmanshyttan, Sweden

[**] Term: **14 Years**

[21] Appl. No.: **16,851**

[22] Filed: **Dec. 28, 1993**

[30] **Foreign Application Priority Data**

Jul. 9, 1993 [SE] Sweden 93-1587

[52] U.S. Cl. **D9/433; D9/418**

[58] Field of Search D9/346, 433, 418, 416,
D9/432, 305; 206/434, 426, 806, 427;
220/23.83, 509; 229/155-158, 40

[56] **References Cited**

U.S. PATENT DOCUMENTS

- D. 176,455 12/1955 Gentry D9/346
- D. 233,135 10/1974 Combs, Jr. et al. D9/346
- 246,813 9/1881 Pickell 229/158
- D. 263,814 4/1982 Bechtold D9/418 X
- D. 266,226 9/1982 Zdarsky et al. D9/418

- D. 276,137 10/1984 Vere et al. D9/432 X
- 466,792 1/1892 Lindemeyer 229/155
- 2,367,717 1/1945 Davidson 229/155
- 2,827,165 3/1958 Gentry 206/434
- 3,058,585 10/1962 Budd 229/155 X
- 4,197,984 4/1980 Hartman et al. 206/806 X

OTHER PUBLICATIONS

Modern Packaging, 1963, p. 142.
Modern Packaging, 1963, p. 272.

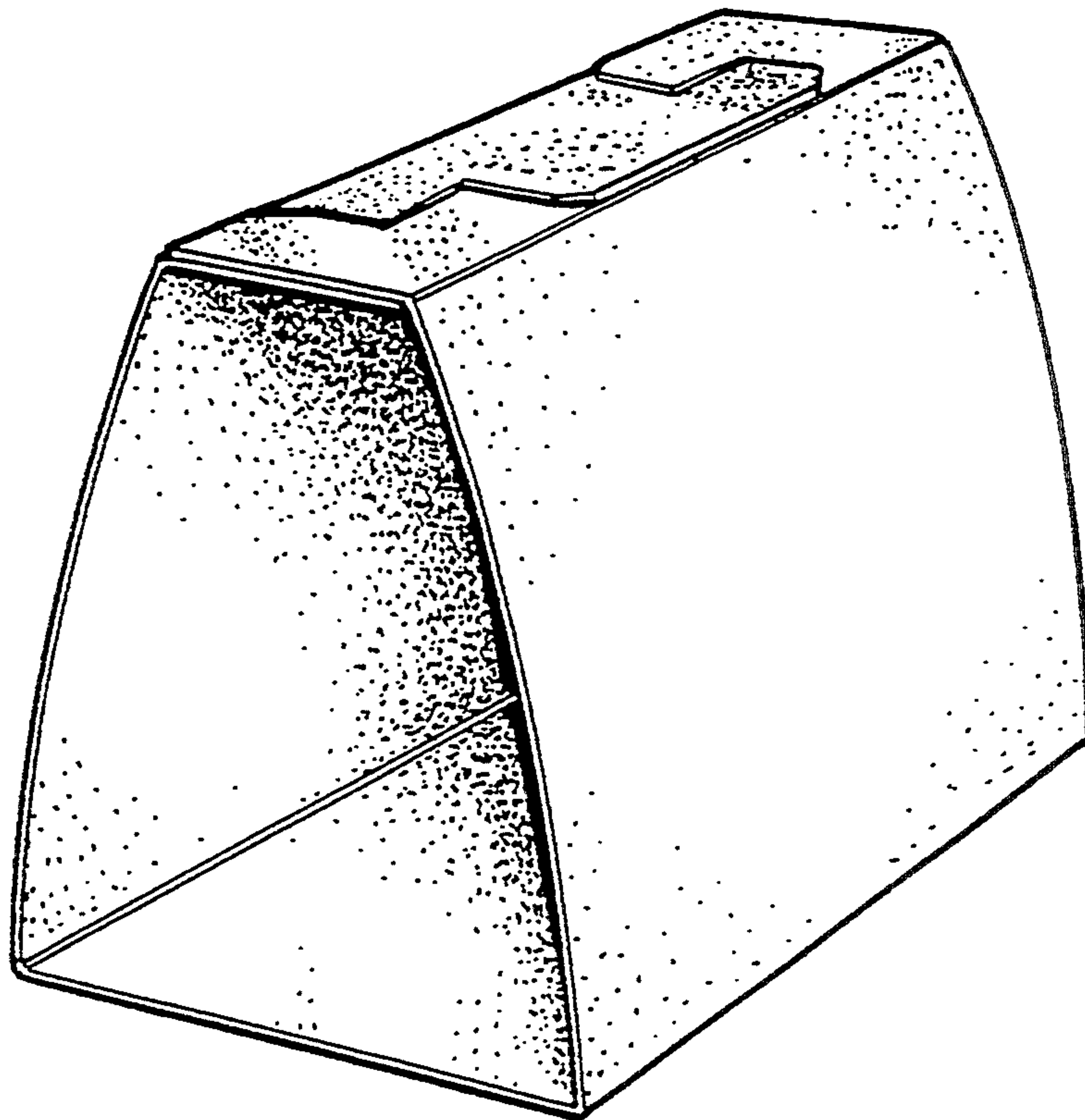
Primary Examiner—Prabhakar G. Deshmukh
Attorney, Agent, or Firm—Sughrue, Mion, Zinn,
Macpeak & Seas

[57] **CLAIM**

The ornamental design for a package, as shown and described.

DESCRIPTION

FIG. 1 is a front, top and left side perspective view of a package showing my new design, the package being generally symmetrical about a longitudinal vertical center plane; and,
FIG. 2 is a rear, bottom and left side perspective view thereof, the article being inverted from that shown in FIG. 1.



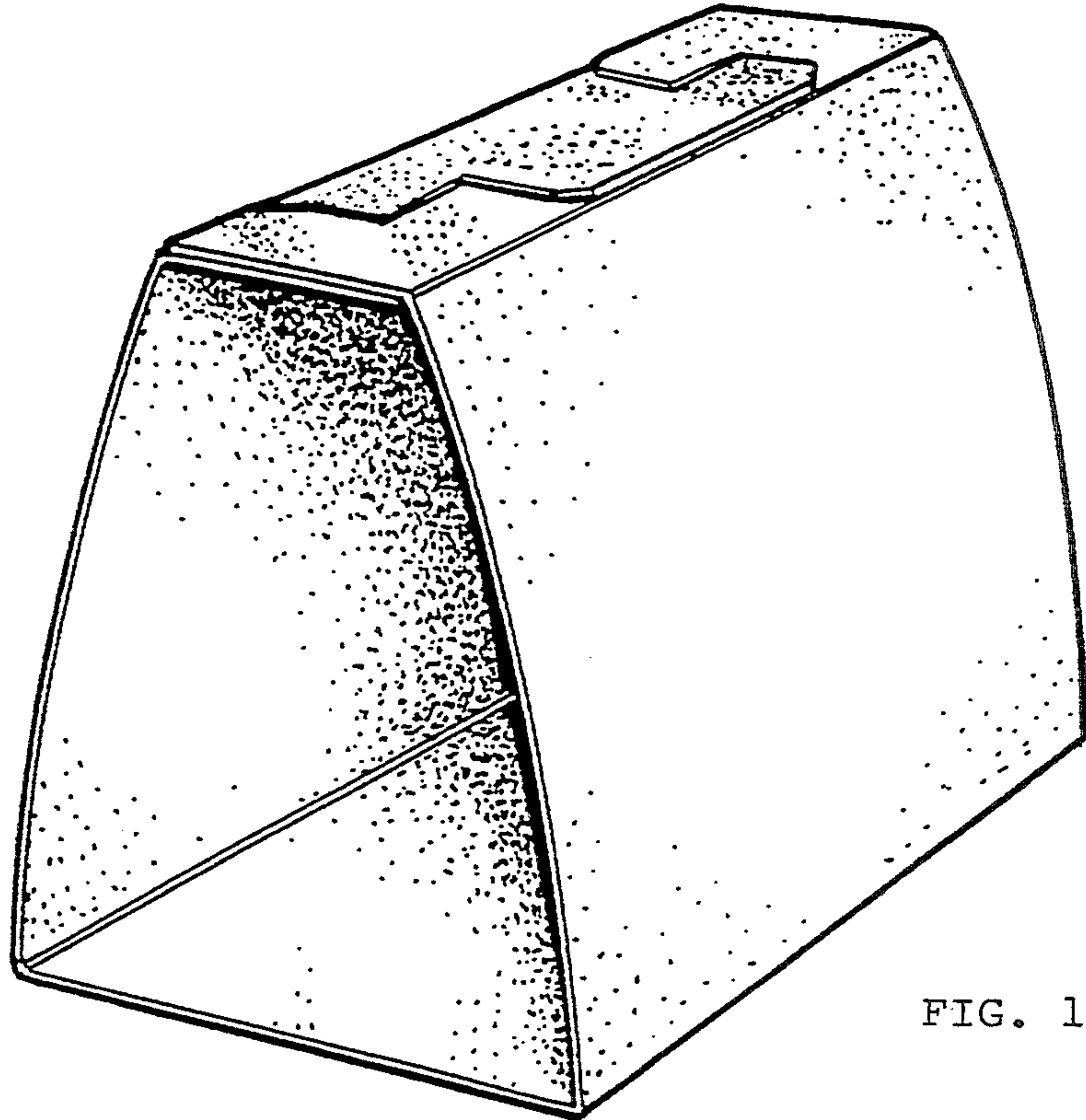


FIG. 1

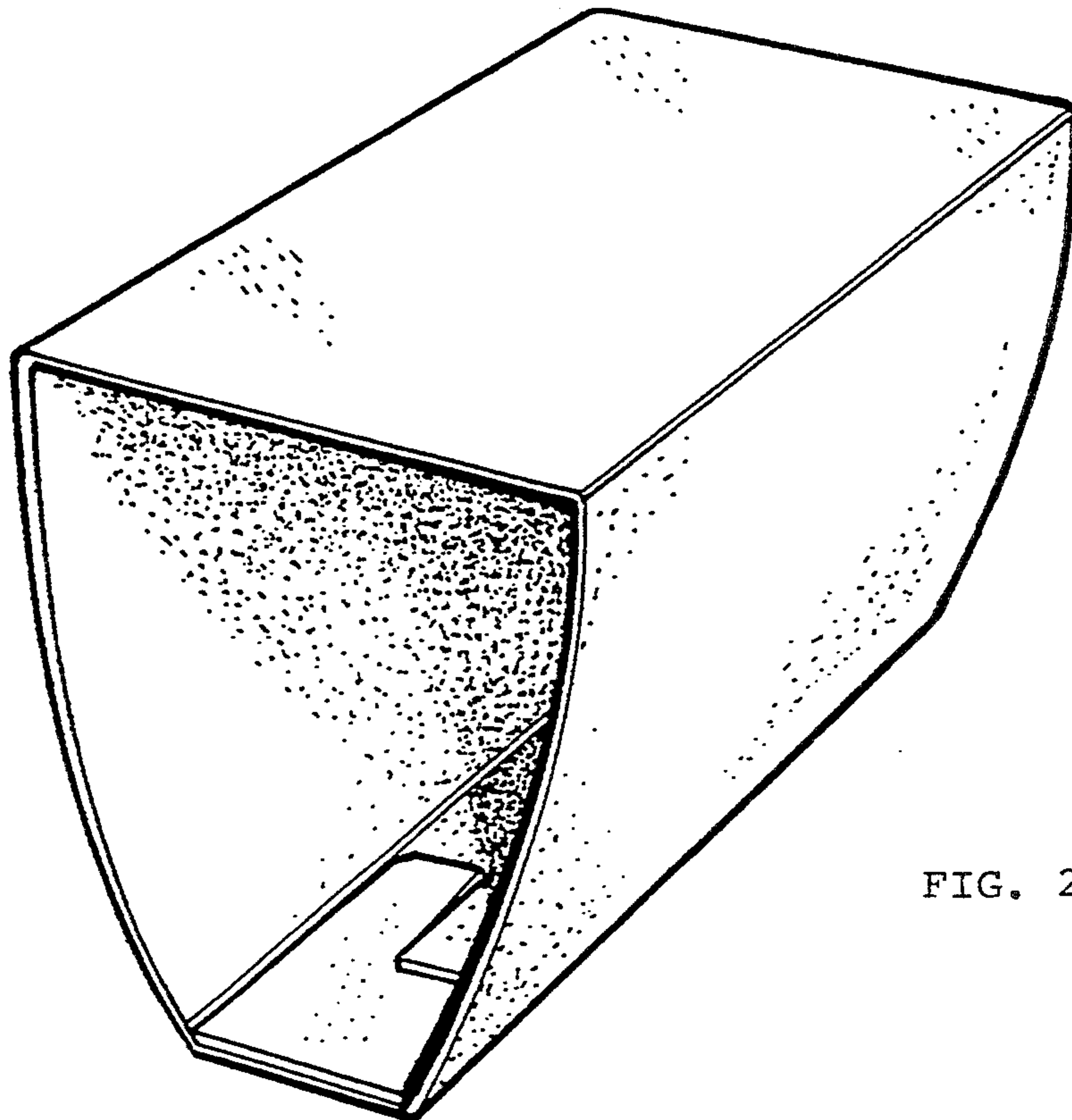


FIG. 2