



US00D360822S

United States Patent [19]

[11] Patent Number: **Des. 360,822**

Anderson

[45] Date of Patent: **** Aug. 1, 1995**

[54] HOSE REEL

D. 282,049 1/1986 Nederman D8/358
D. 282,359 1/1986 Schwartz D8/358 X

[75] Inventor: **Robert F. Anderson**, Nottingham,
Australia

Primary Examiner—A. Hugo Word
Assistant Examiner—Holly Baynham
Attorney, Agent, or Firm—Griffin, Butler, Whisenhunt &
Kurtosy

[73] Assignee: **A. K. Reels Pty Ltd**, Victoria,
Australia

[**] Term: **14 Years**

[57] **CLAIM**

[21] Appl. No.: **14,605**

The ornamental design for a hose reel, as shown and described.

[22] Filed: **Oct. 27, 1993**

DESCRIPTION

[30] **Foreign Application Priority Data**

FIG. 1 is a perspective view from one side;
FIG. 2 is a perspective view from another side;
FIG. 3 is a side elevational view from one side;
FIG. 4 is a side elevational view from another side;
FIG. 5 is a top plan view;
FIG. 6 is a bottom plan view;
FIG. 7 is a front elevational view; and,
FIG. 8 is a rear elevational view.

Apr. 28, 1993 [AU] Australia 1355/93

Apr. 28, 1993 [AU] Australia 1356/93

[52] U.S. Cl. **D8/358**

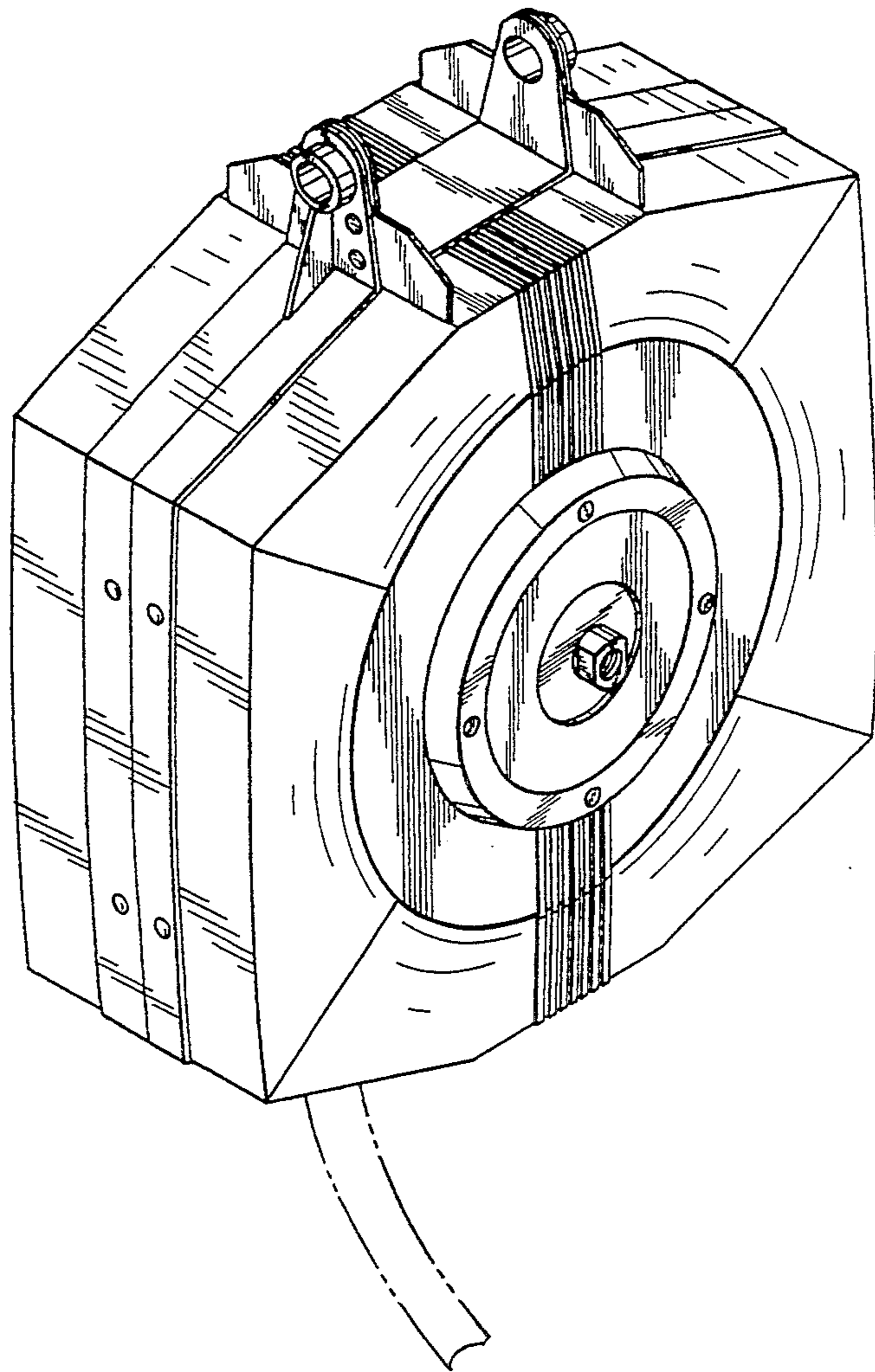
[58] Field of Search D8/358-359;
242/85, 77, 96, 107; 191/12.2, 12.4

[56] **References Cited**

U.S. PATENT DOCUMENTS

D. 260,985 9/1981 Moylan D8/358 X

The broken line showing a fragmented hose is for illustrative purposes only and forms no part of the claimed design.



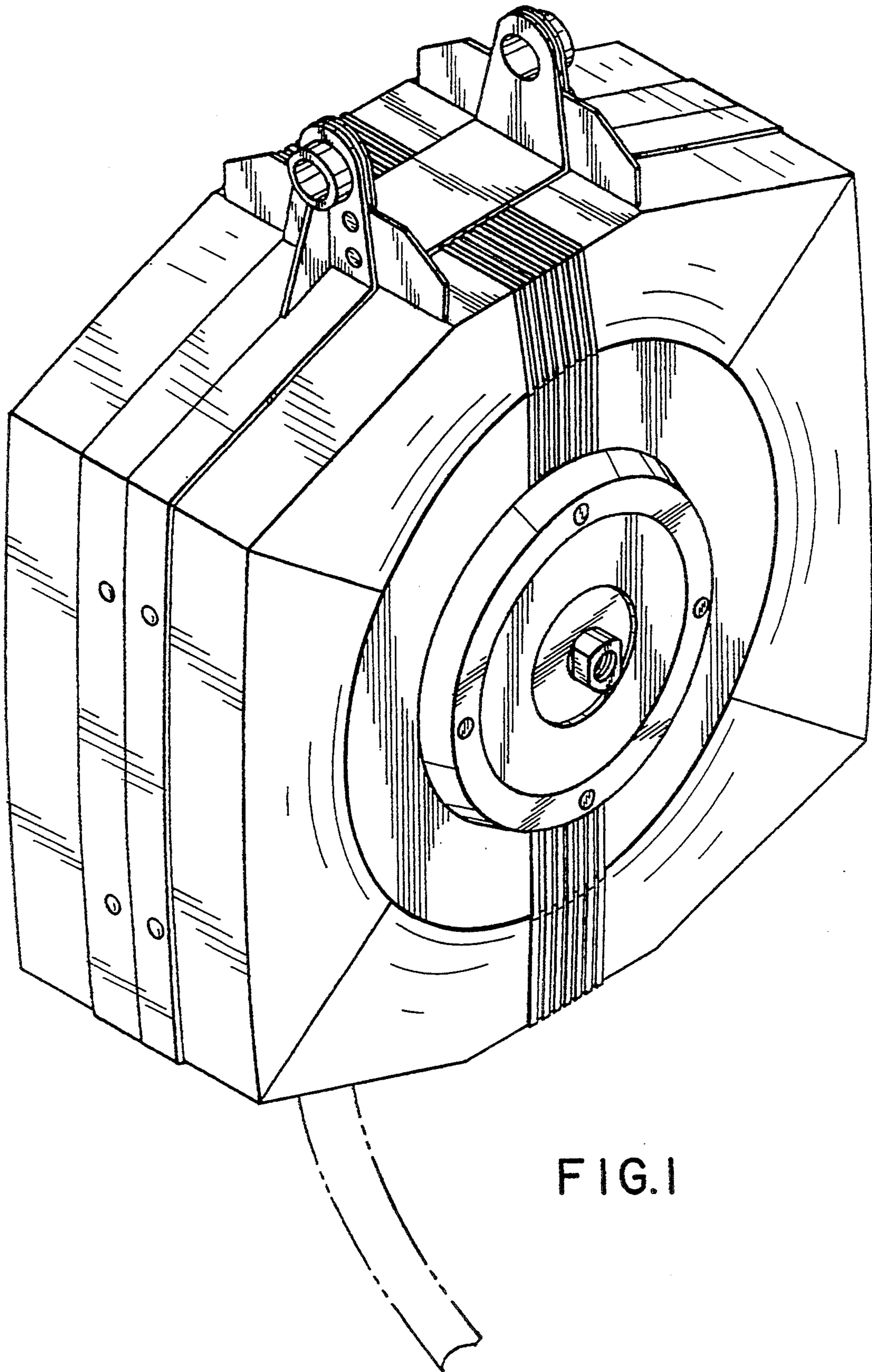


FIG. 1

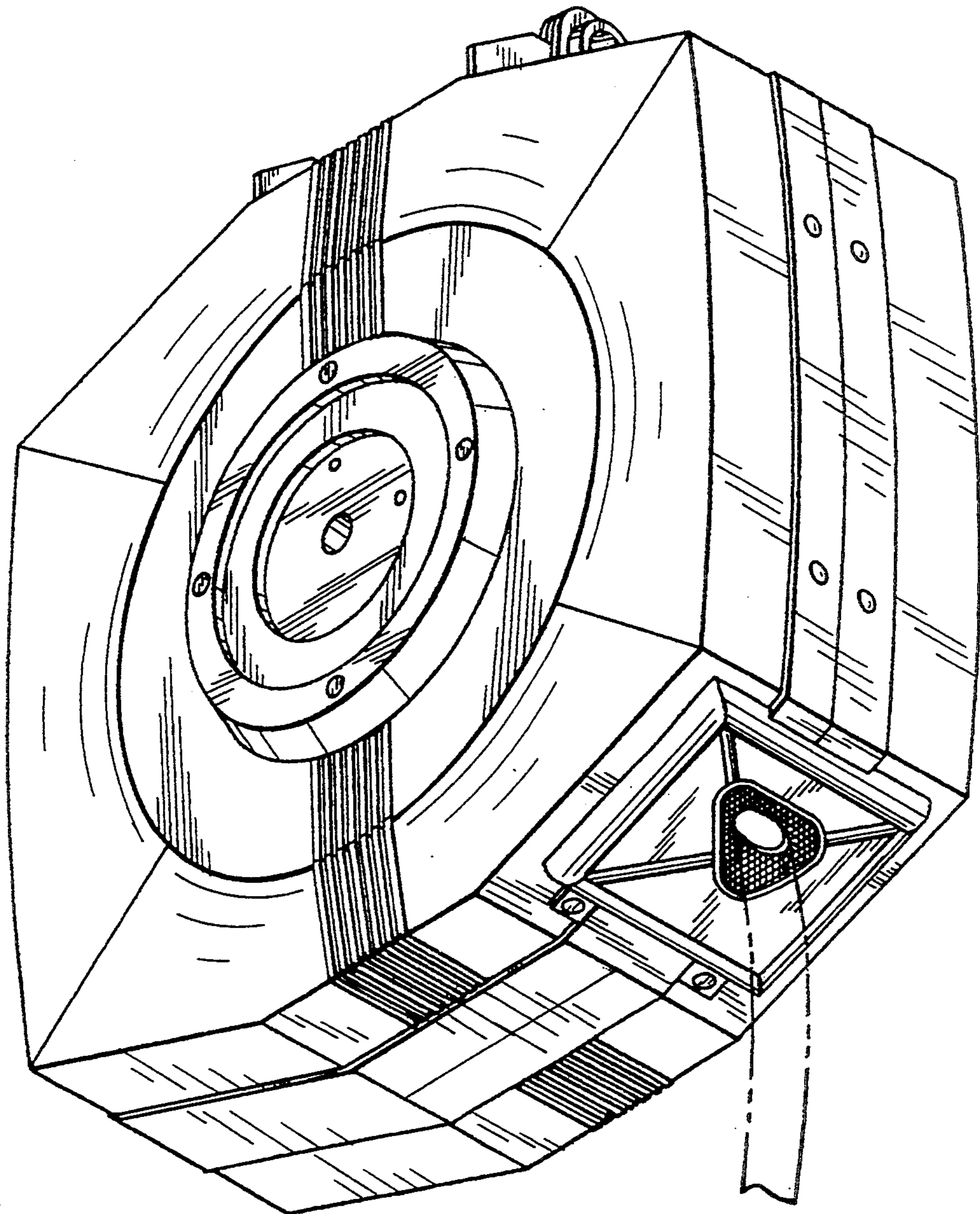


FIG.2

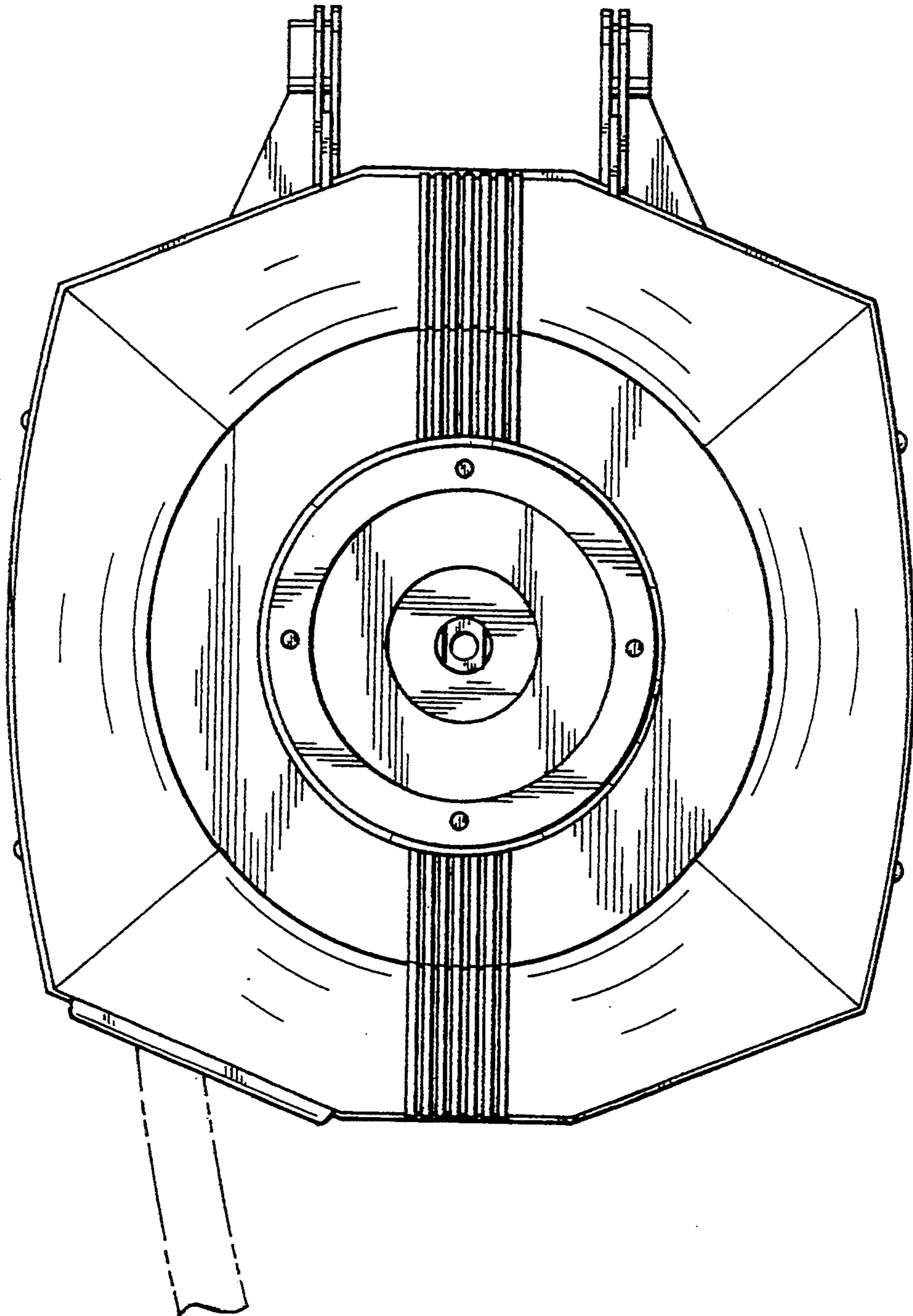


FIG. 3

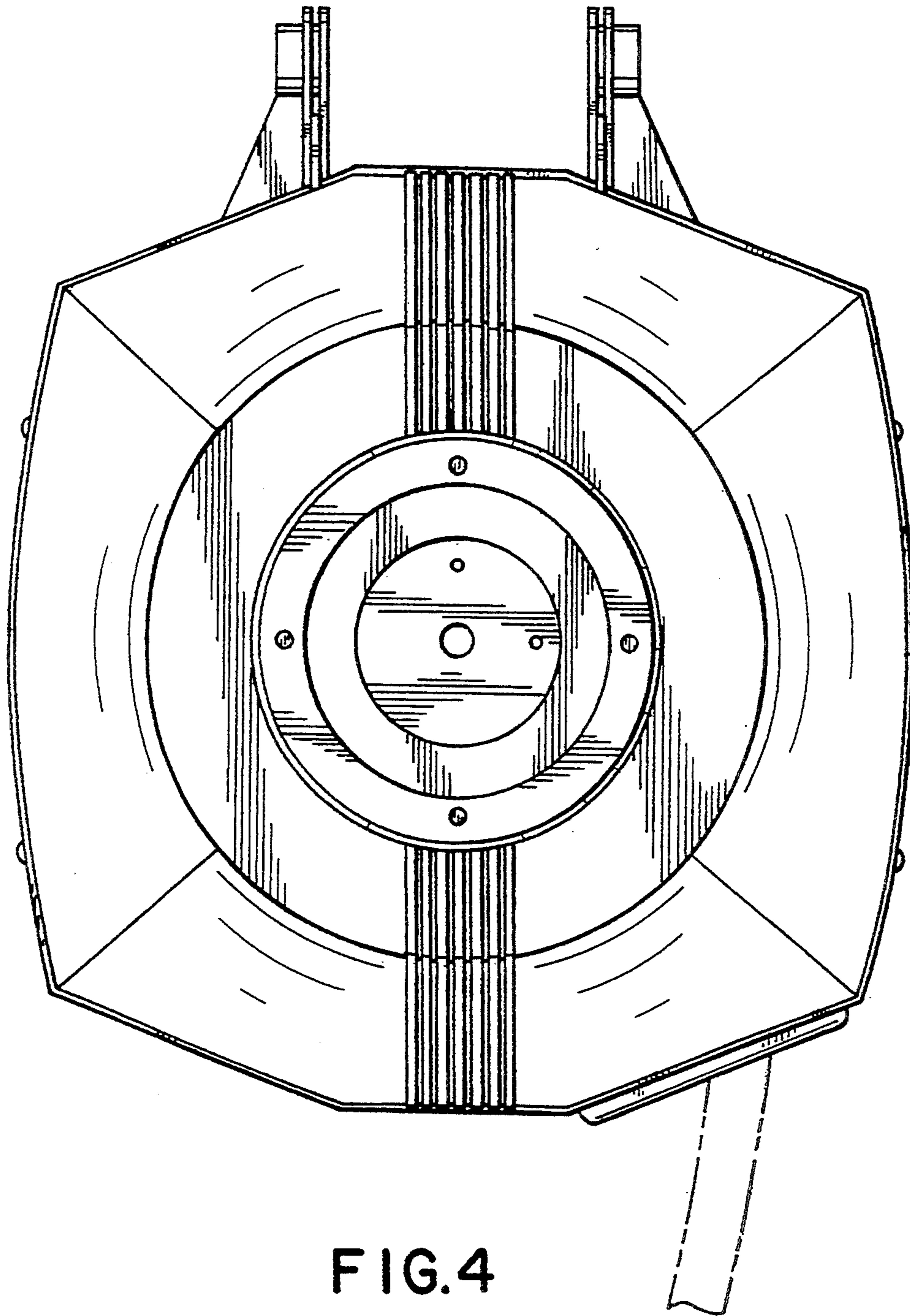


FIG. 4

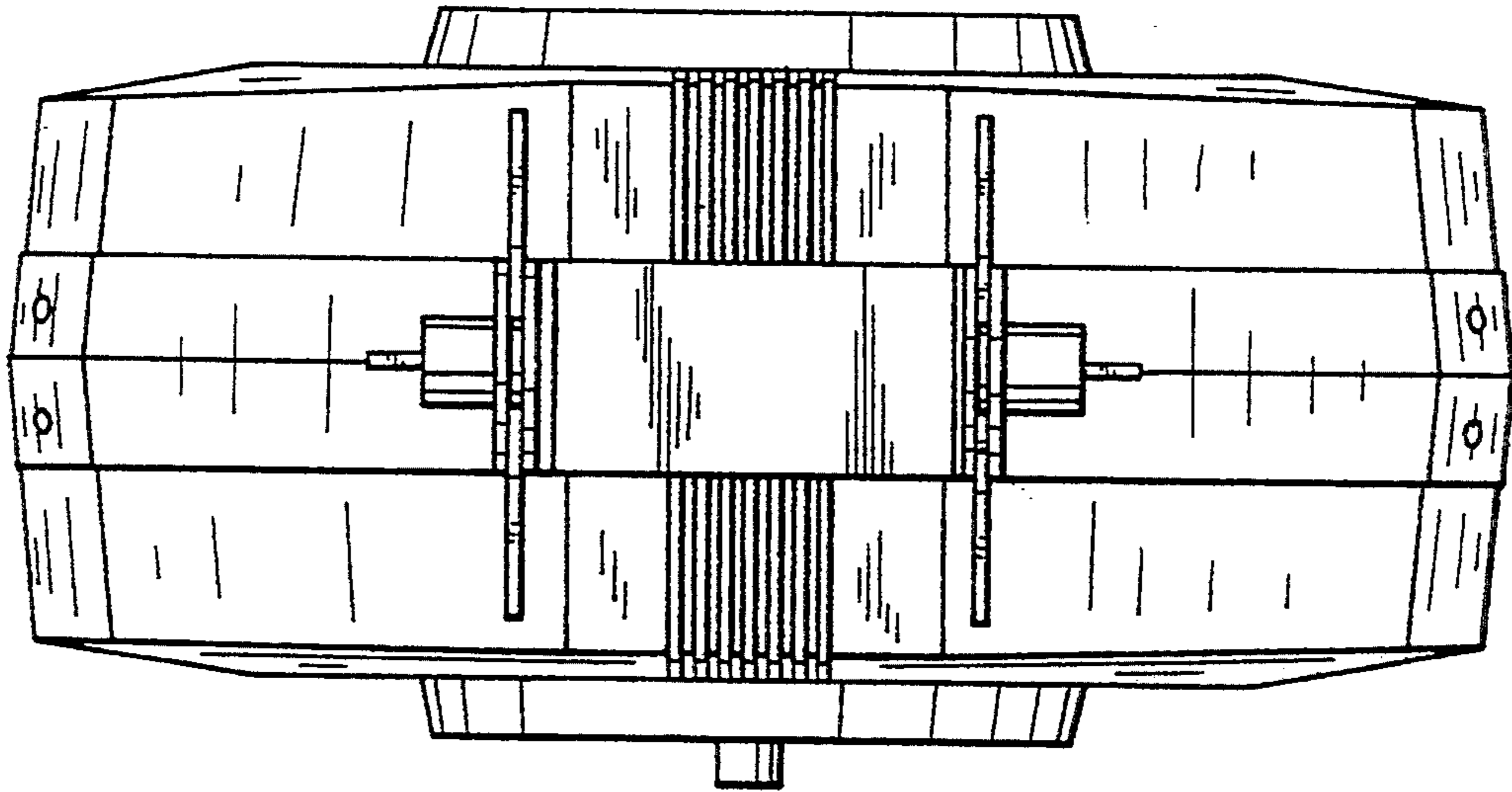


FIG. 5

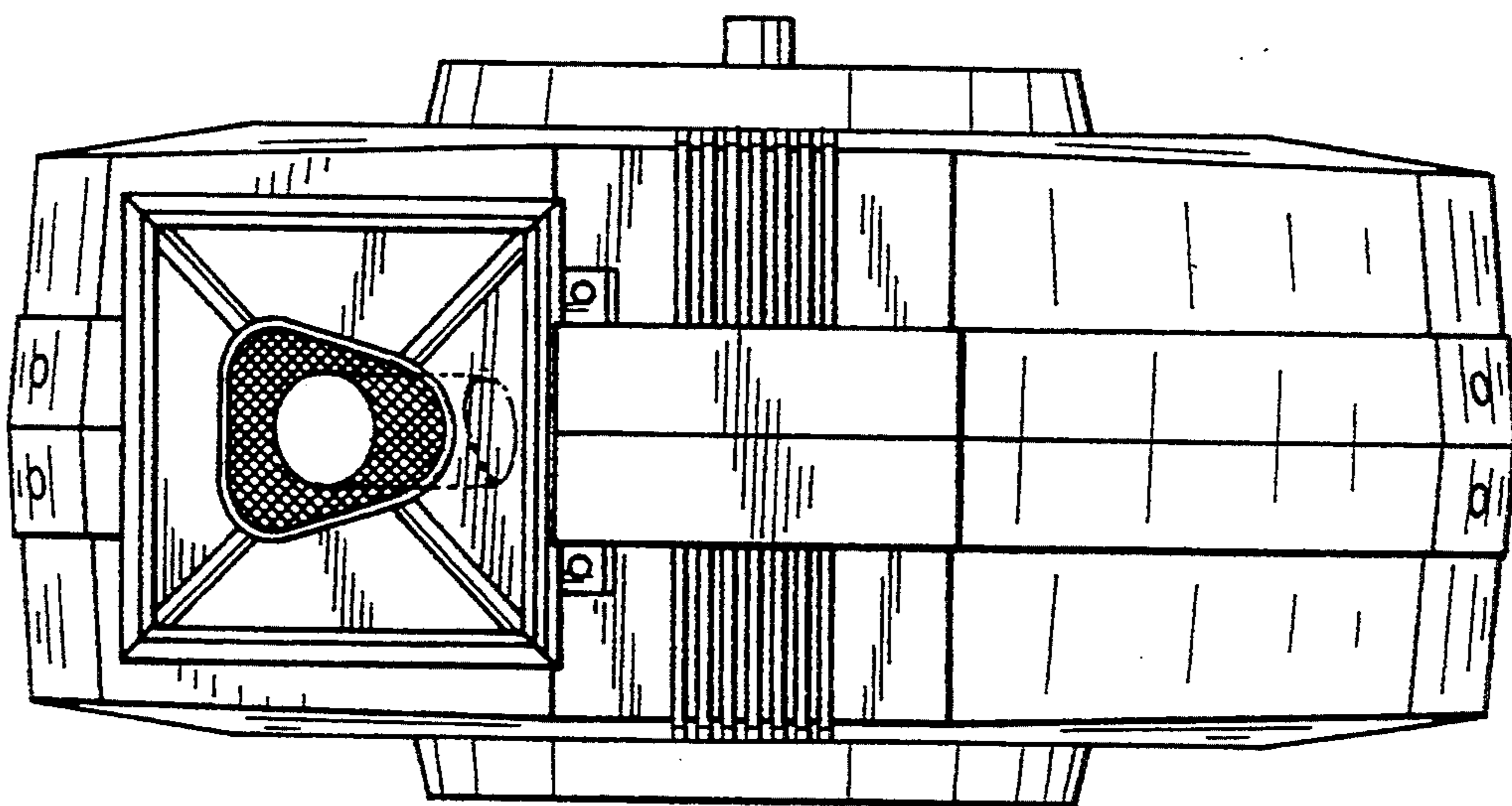


FIG. 6

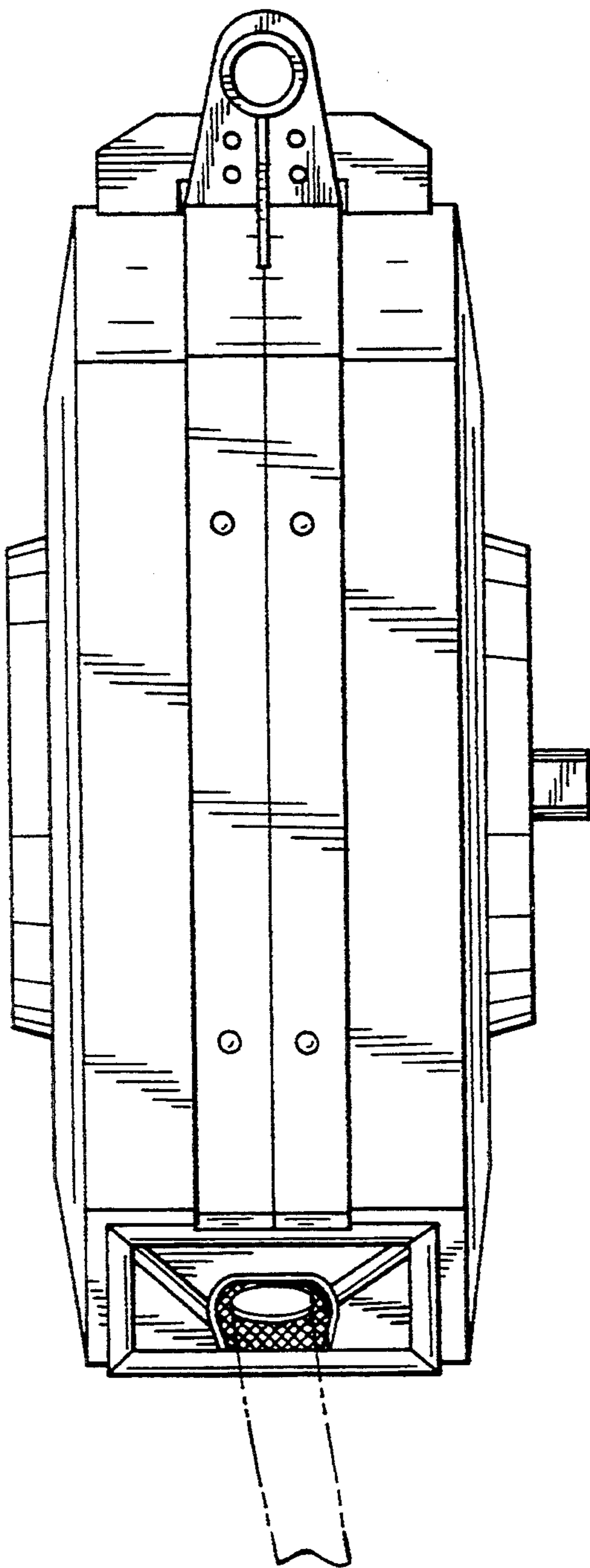


FIG. 7

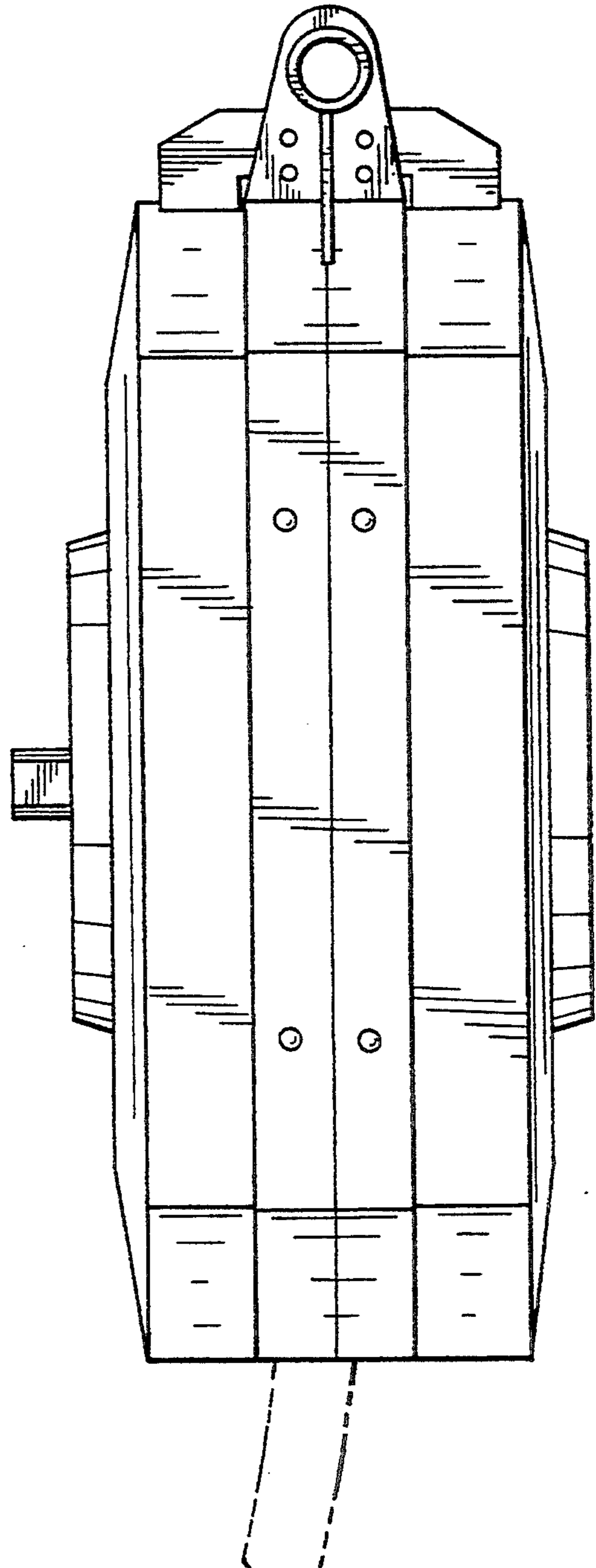


FIG. 8