



US00D360820S

United States Patent [19]

Haase

[11] Patent Number: **Des. 360,820**

[45] Date of Patent: **** Aug. 1, 1995**

[54] **GROMMET**

[76] Inventor: **Richard Haase**, 6012 Beach Dr.,
Rogers City, Mich. 49779

[**] Term: **14 Years**

[21] Appl. No.: **19,478**

[22] Filed: **Mar. 3, 1994**

[52] U.S. Cl. **D8/356**

[58] Field of Search D8/356, 400; 16/2;
248/56; 174/153 G; 24/136 R, 129 R, 115 R,
115 F, 115 H, 127, 713.6

4,675,937	6/1987	Mitomi	16/2
4,959,886	10/1990	Dinges	16/2
5,052,699	10/1991	Tucker	16/2 X
5,071,143	12/1991	Byerly et al.	174/153 G X
5,082,719	1/1992	Arroyo
5,109,458	4/1992	Dixit et al.	385/102
5,131,064	7/1992	Arroyo	385/102

Primary Examiner—James M. Gandy
Assistant Examiner—Holly Baynham
Attorney, Agent, or Firm—Terry M. Gernstein

[57] CLAIM

The ornamental design for a grommet, as shown and described.

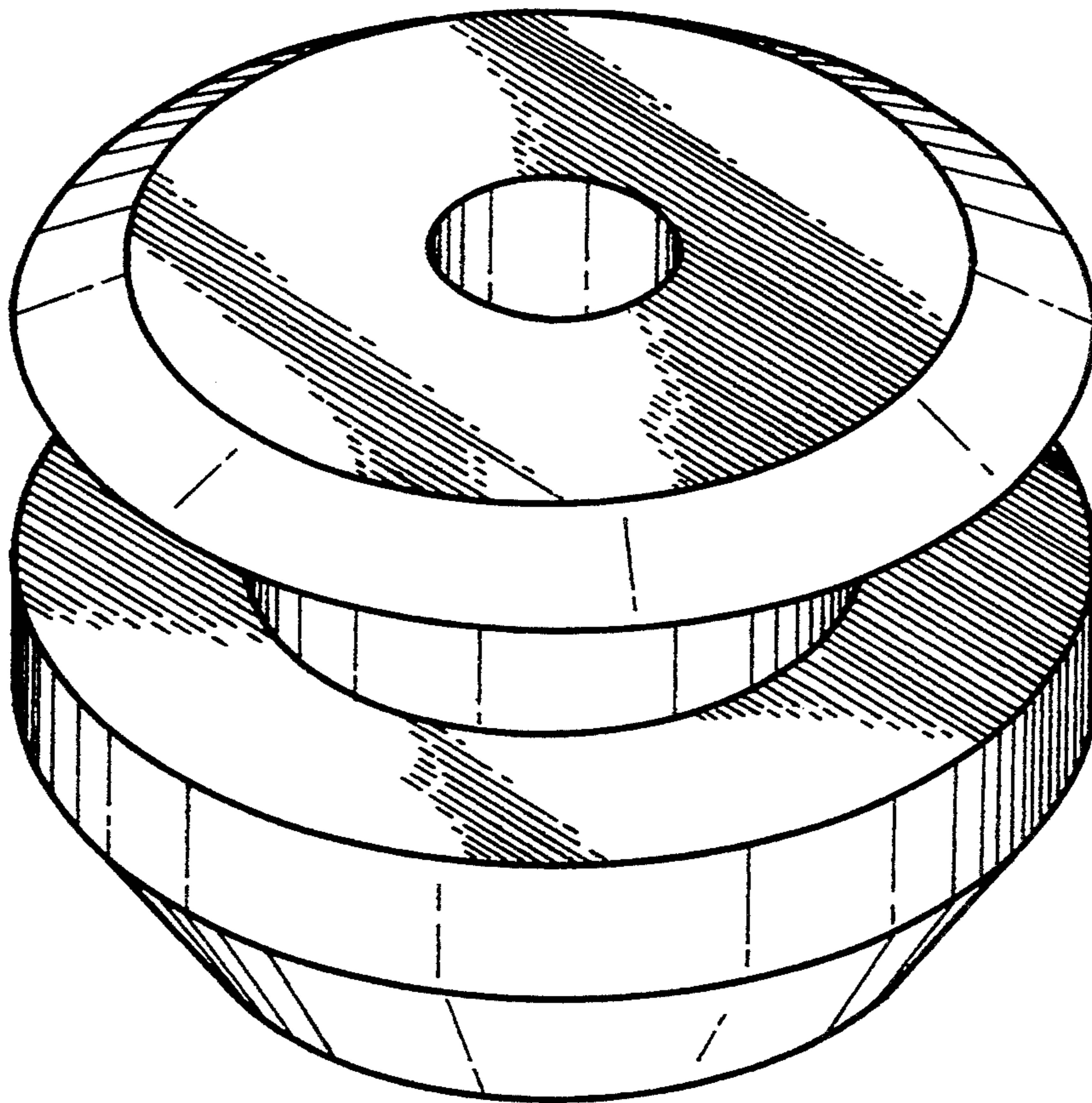
DESCRIPTION

FIG. 1 is a front, top and side perspective view of the grommet showing my new design;
FIG. 2 is an elevational view thereof, all elevational views being identical;
FIG. 3 is a top plan view thereof; and,
FIG. 4 is a bottom plan view thereof.

[56] References Cited

U.S. PATENT DOCUMENTS

D. 328,241	7/1992	Longstreet	D8/356 X
1,800,578	4/1931	Webb	16/2 X
2,717,792	9/1955	Pelley	16/2 X
3,424,857	1/1969	Miller et al.	16/2 X
4,282,627	8/1981	Downing	16/2



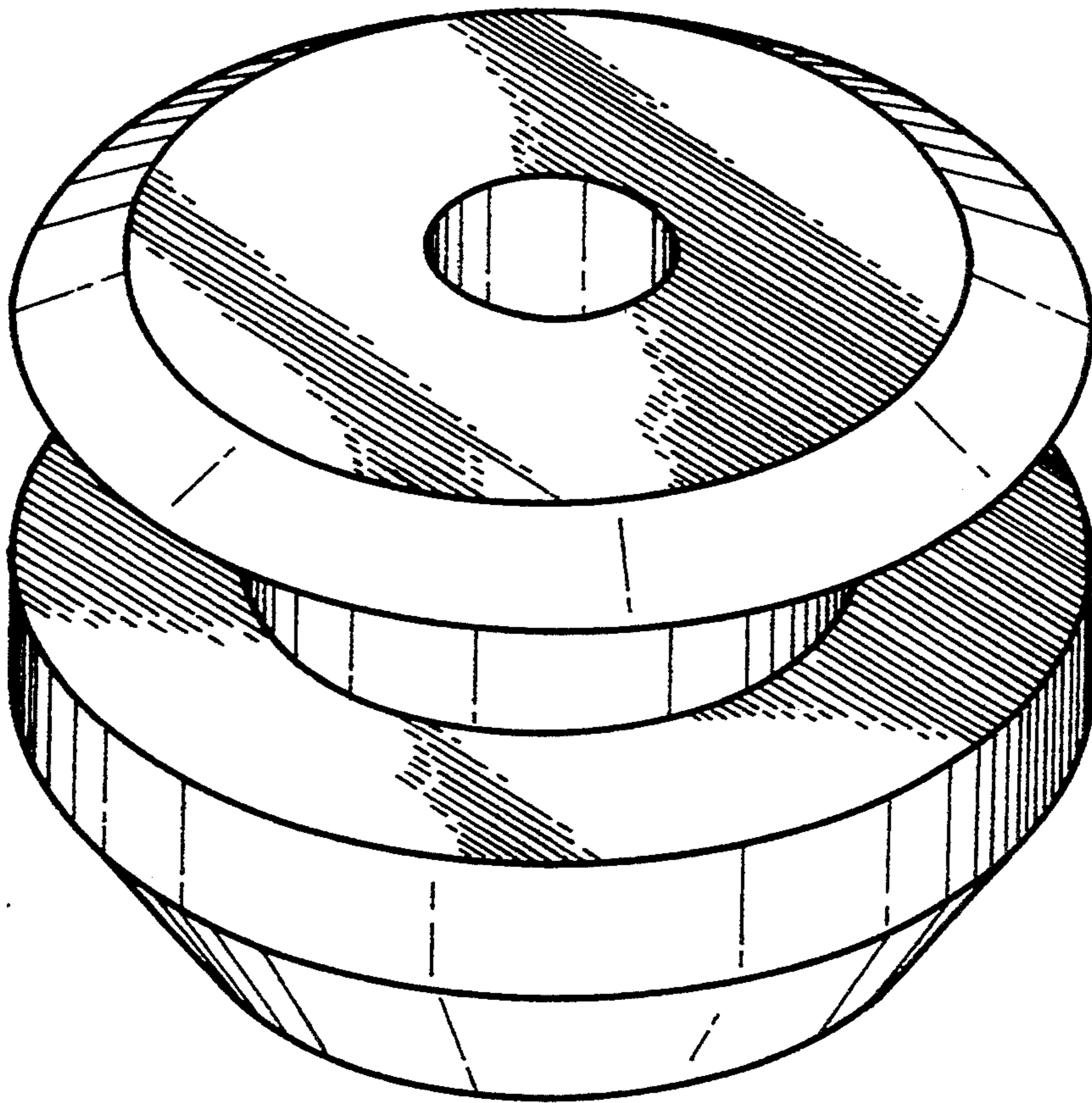


FIG. 1

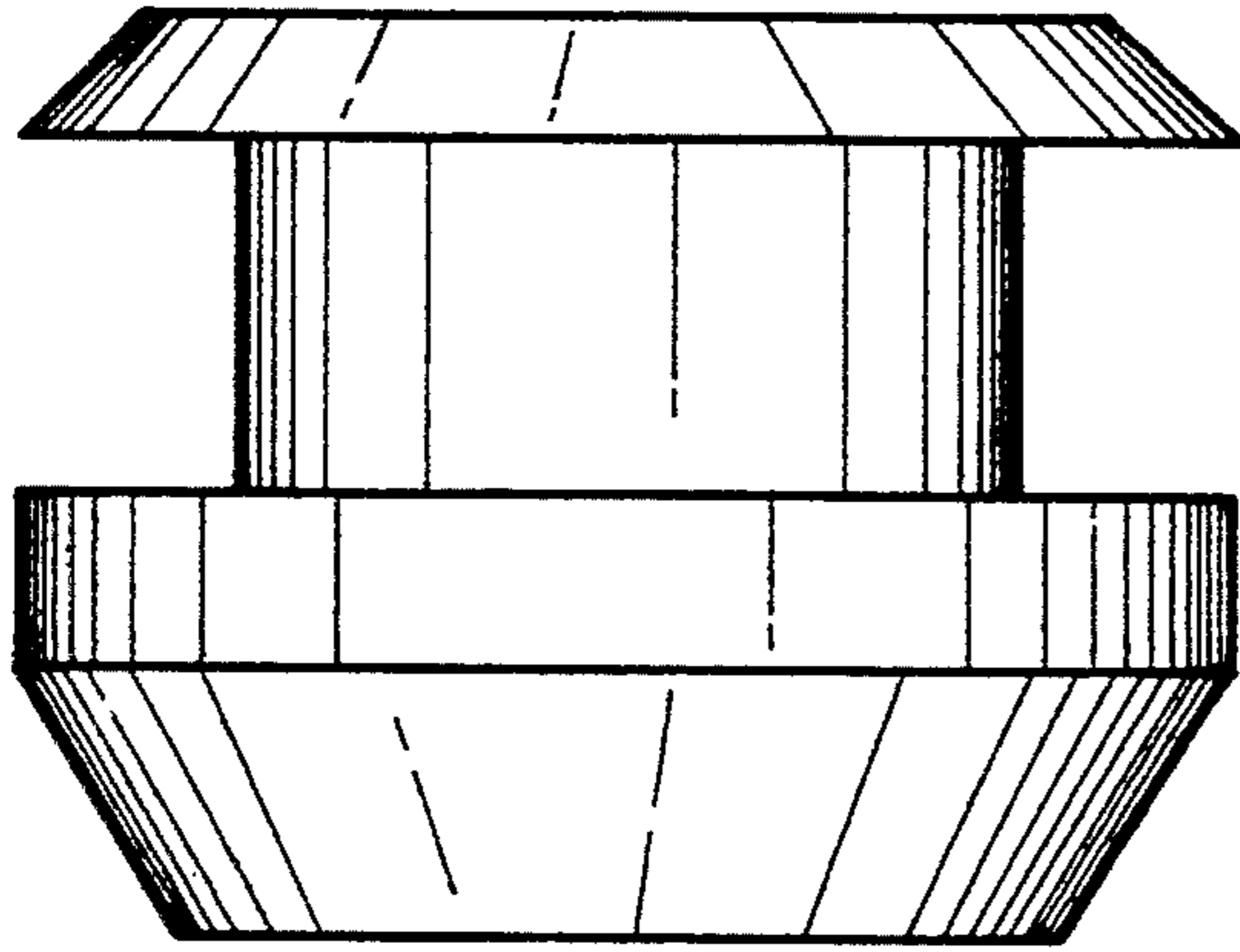


FIG. 2

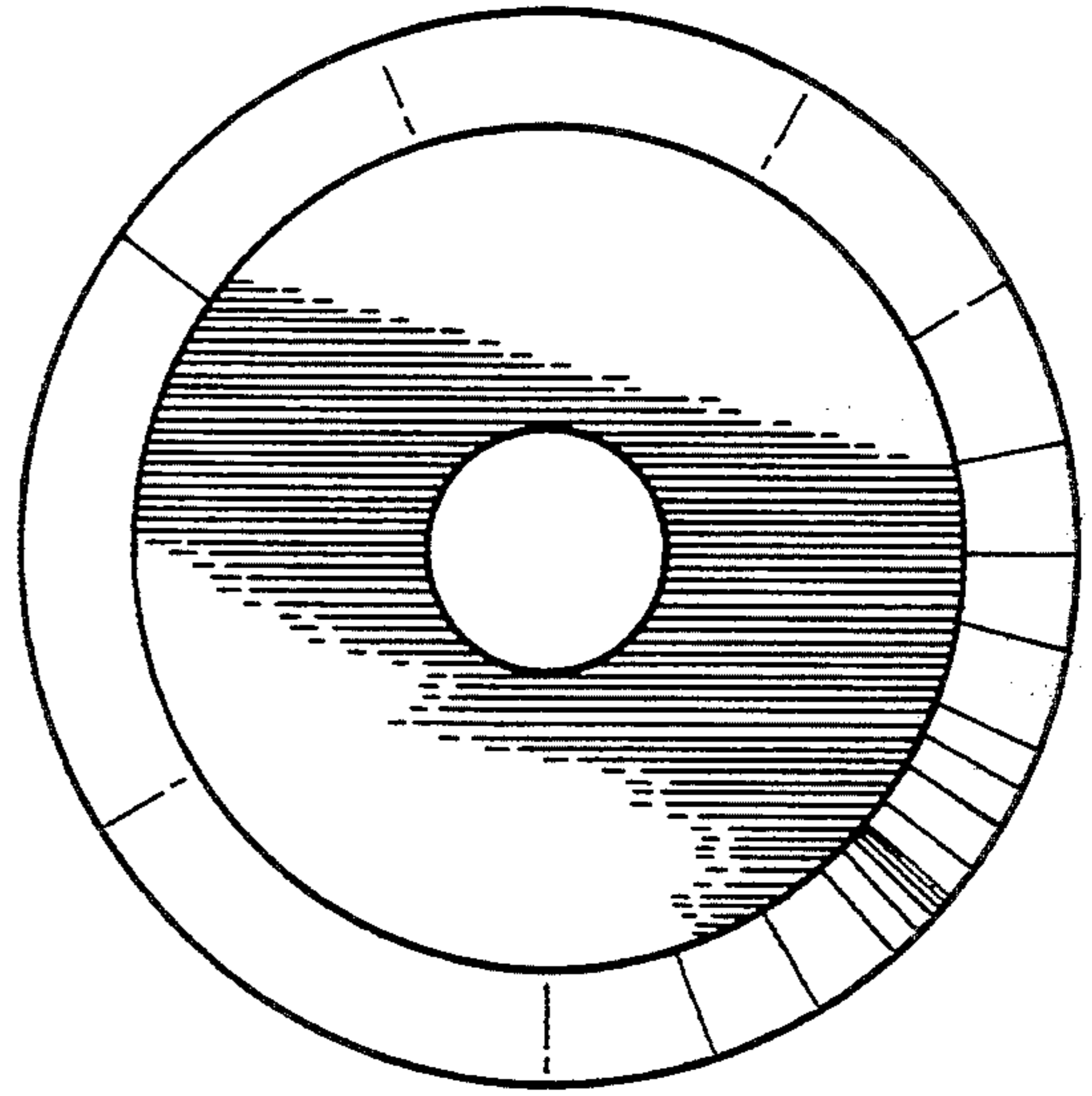


FIG. 3

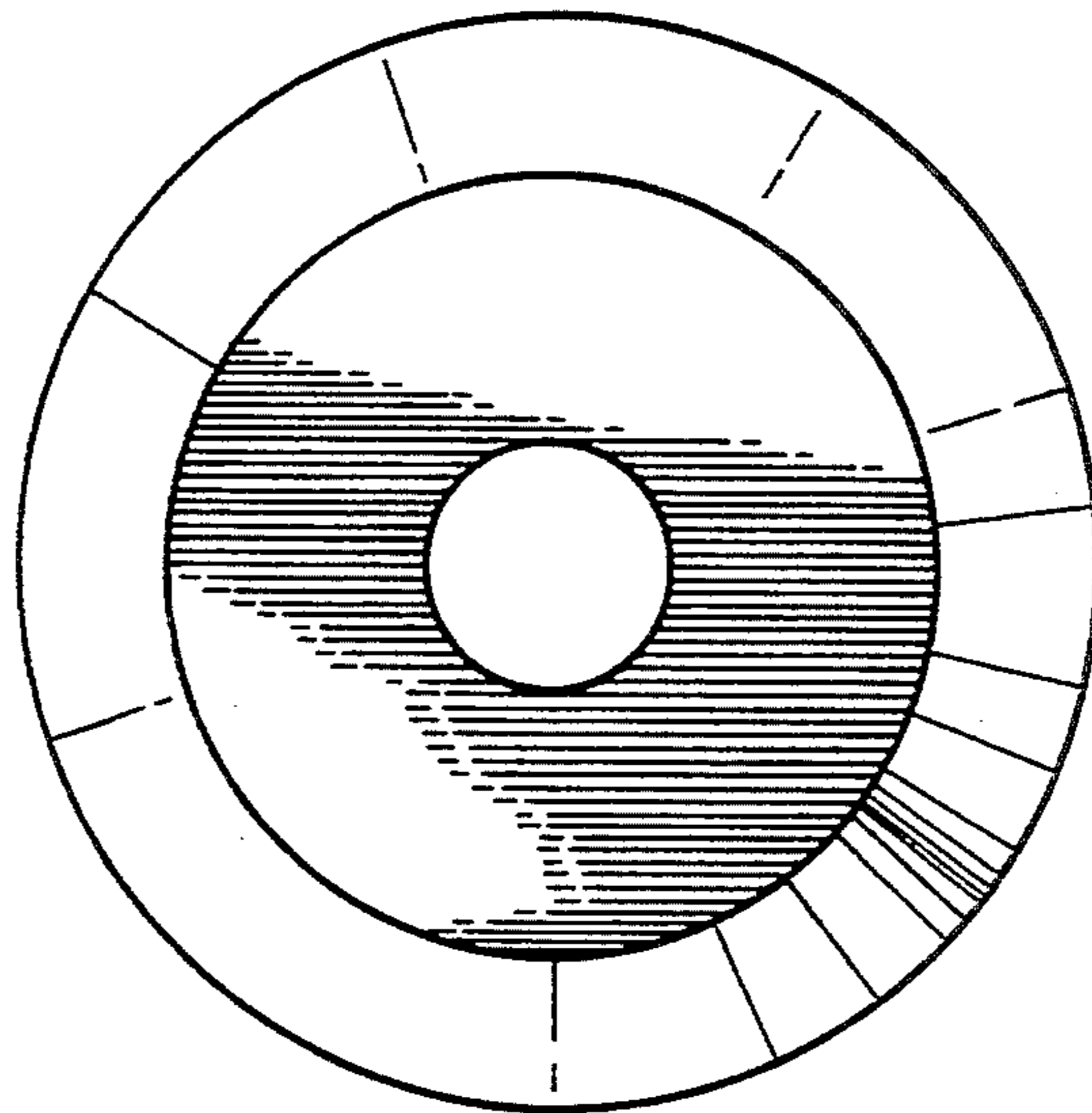


FIG. 4