



US00D360816S

# United States Patent [19]

[11] Patent Number: **Des. 360,816**

**Brown**

[45] Date of Patent: **\*\* Aug. 1, 1995**

- [54] **SHOE AND BOOT EXPANDER**
- [75] Inventor: **Dennis N. Brown**, Blaine, Wash.
- [73] Assignee: **Northwest Podiatric laboratory, Inc.**,  
Blaine, Wash.
- [\*\*] Term: **14 Years**
- [21] Appl. No.: **23,822**
- [22] Filed: **Jun. 1, 1994**
- [52] U.S. Cl. .... **D8/106; D8/51;**  
**D2/979**
- [58] Field of Search ..... **D2/979; D8/106, 14,**  
**D8/51; 12/115.2, 114.4, 114.2, 115.4, 116.8,**  
**119.5, 142 N**

- 2,500,917 3/1950 Nathan .....
- 3,952,357 4/1976 O'Sullivan .....
- 4,060,869 12/1977 Brown .
- 5,337,432 8/1994 Pirhonen .....

*Primary Examiner*—Theodore M. Shooman  
*Assistant Examiner*—Philip Hyder  
*Attorney, Agent, or Firm*—Todd N. Hathaway

[57] **CLAIM**

The ornamental design for a shoe and boot expander, as shown and described.

**DESCRIPTION**

FIG. 1 is a perspective view of a shoe and boot expander showing my new design;  
 FIG. 2 is a front elevational view thereof;  
 FIG. 3 is a side elevational view thereof;  
 FIG. 4 is a top plan view thereof; and,  
 FIG. 5 is a bottom plan view thereof.

- [56] **References Cited**
- U.S. PATENT DOCUMENTS**
- D. 349,635 8/1994 Berti et al. .... D8/107

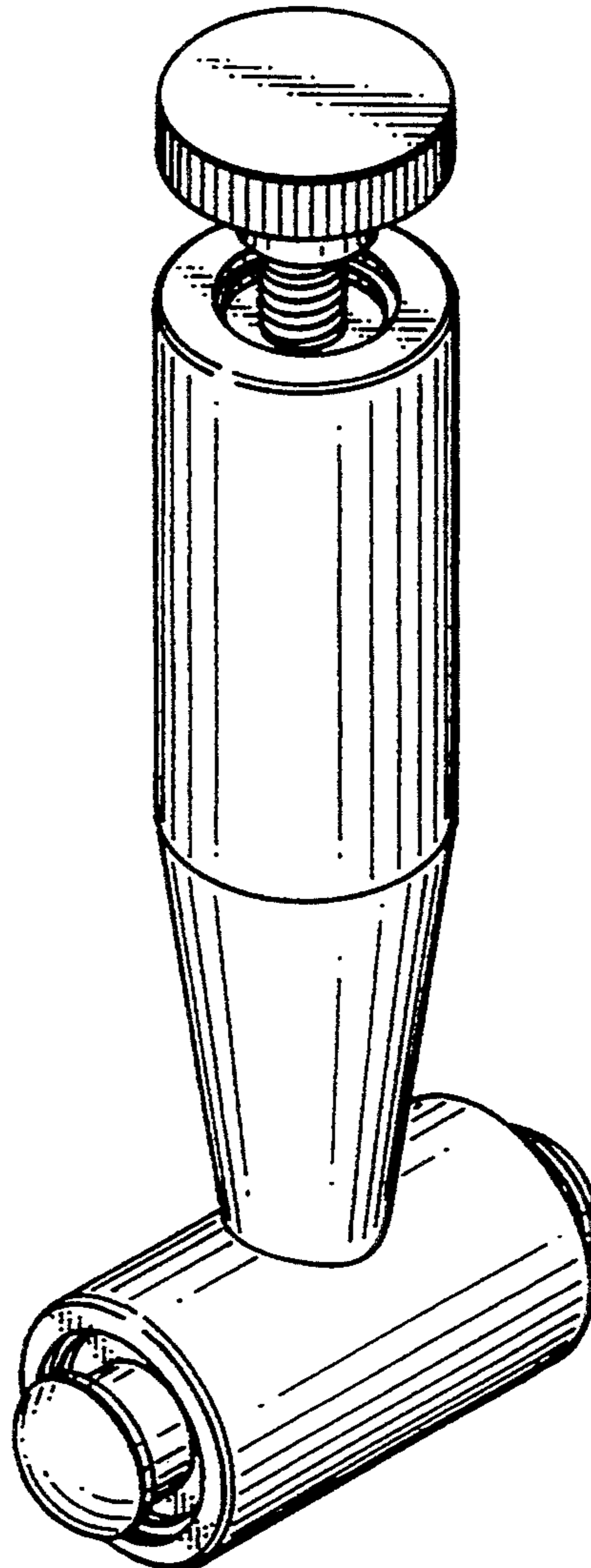


FIG. 1

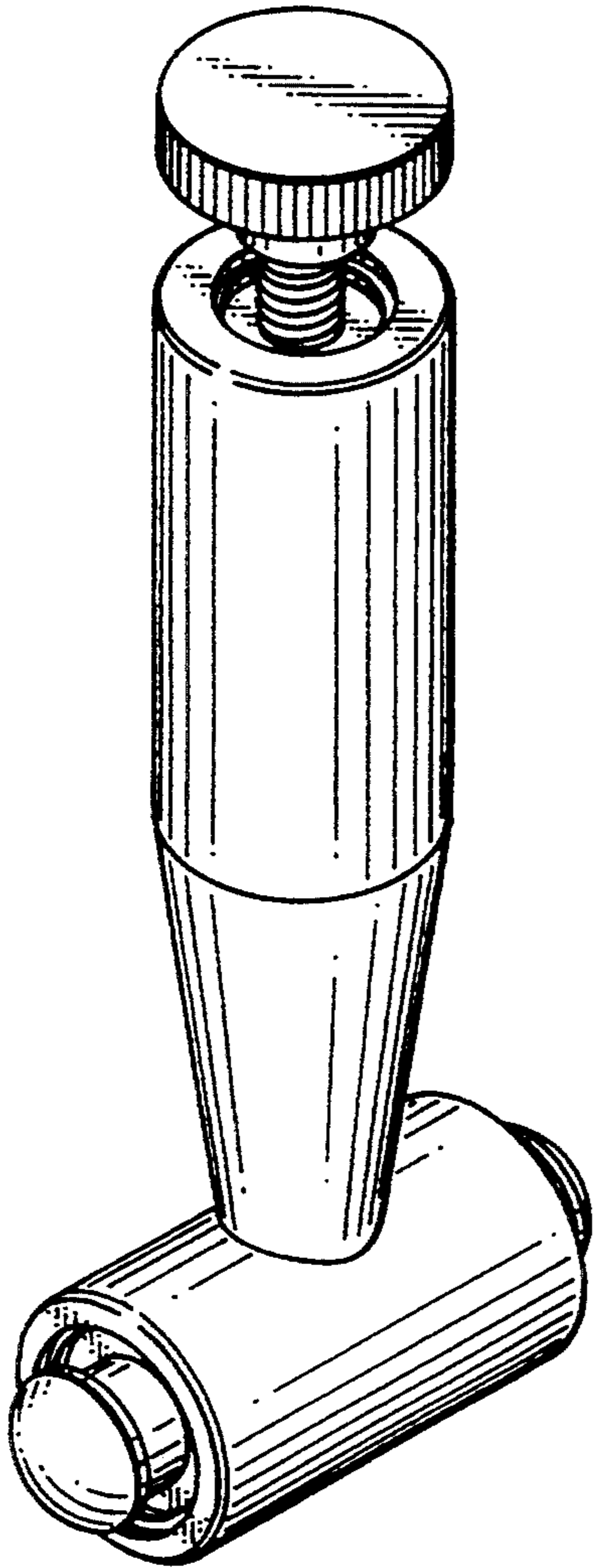


FIG. 2

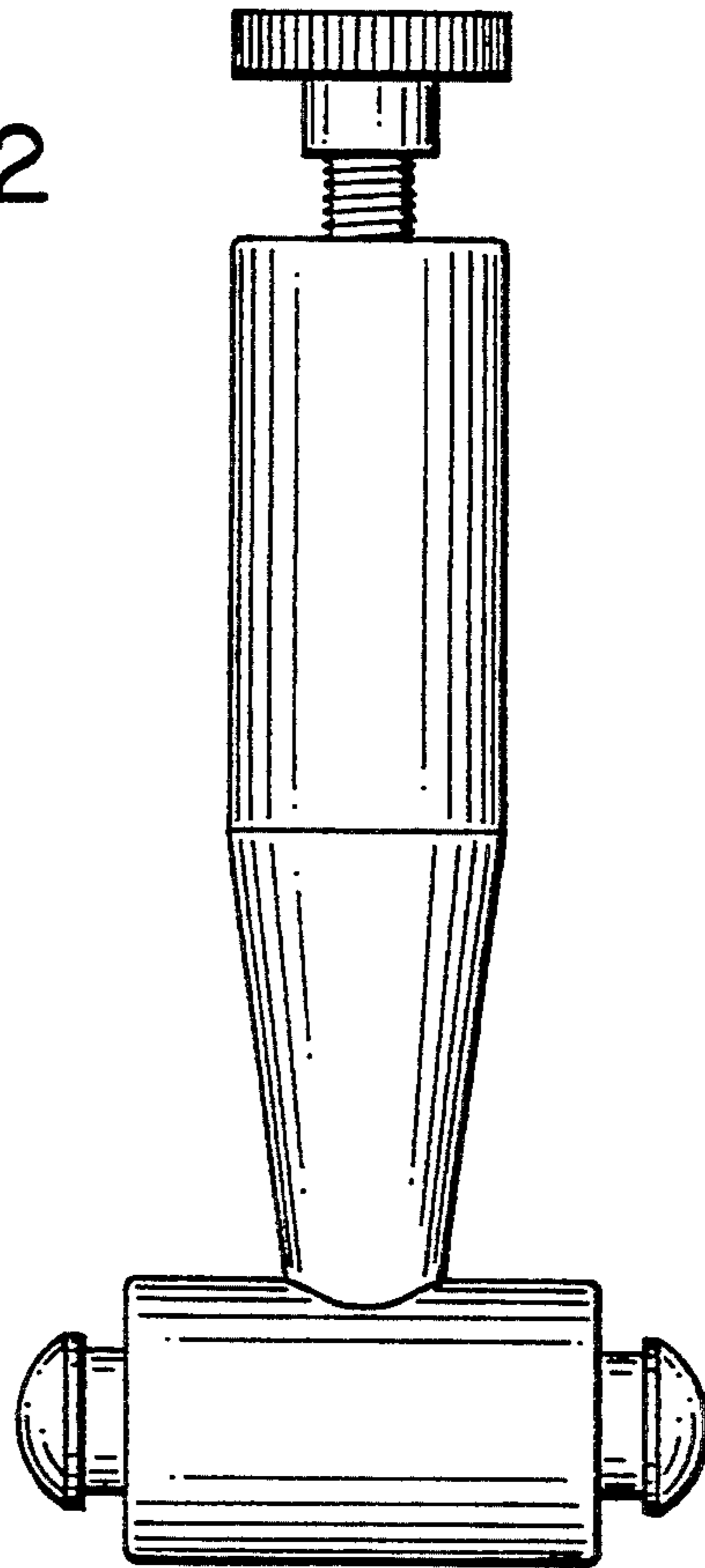


FIG. 3

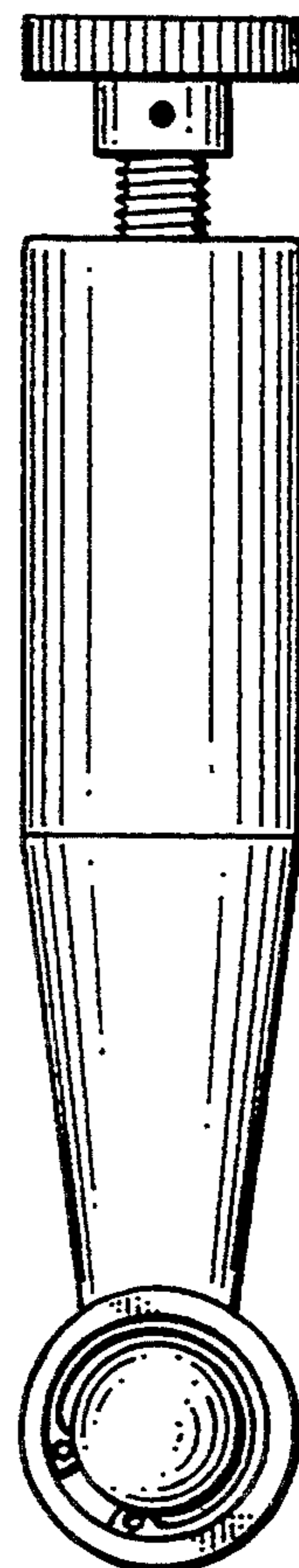


FIG. 4

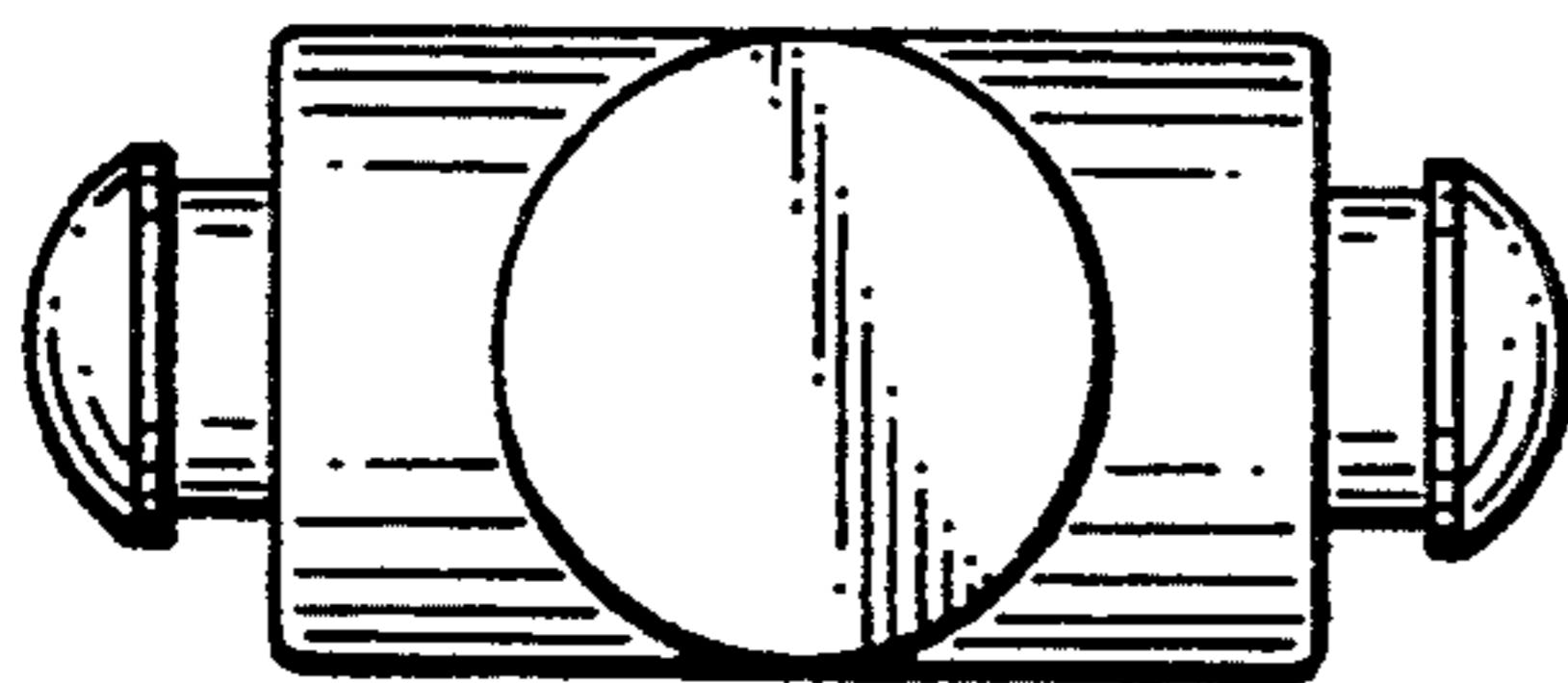


FIG. 5

