



US00D360814S

# United States Patent [19]

Kimata

[11] Patent Number: **Des. 360,814**

[45] Date of Patent: **\*\* Aug. 1, 1995**

[54] **PORTABLE ELECTRIC DRILL**  
 [75] Inventor: **Akinori Kimata**, Anjo, Japan  
 [73] Assignee: **Makita Corporation**, Anjo, Japan  
 [\*\*] Term: **14 Years**  
 [21] Appl. No.: **27,113**  
 [22] Filed: **Aug. 12, 1994**

[30] **Foreign Application Priority Data**  
 Feb. 15, 1994 [JP] Japan ..... 6-3576  
 [52] **U.S. Cl.** ..... **D8/68**  
 [58] **Field of Search** ..... D8/61, 68; 173/170,  
 173/90, 91, 216, 217, 96; 81/57, 57.11, 57.13;  
 408/124, 125

[56] **References Cited**  
**U.S. PATENT DOCUMENTS**  
 D. 296,655 7/1988 Yonezawa et al. .  
 D. 323,606 2/1992 Chang .

D. 327,619 7/1992 Tsai .  
 D. 329,580 9/1992 Sasaki et al. .... D8/68  
 D. 340,394 10/1993 Okumura .  
 D. 342,430 12/1993 Saito et al. .... D8/68

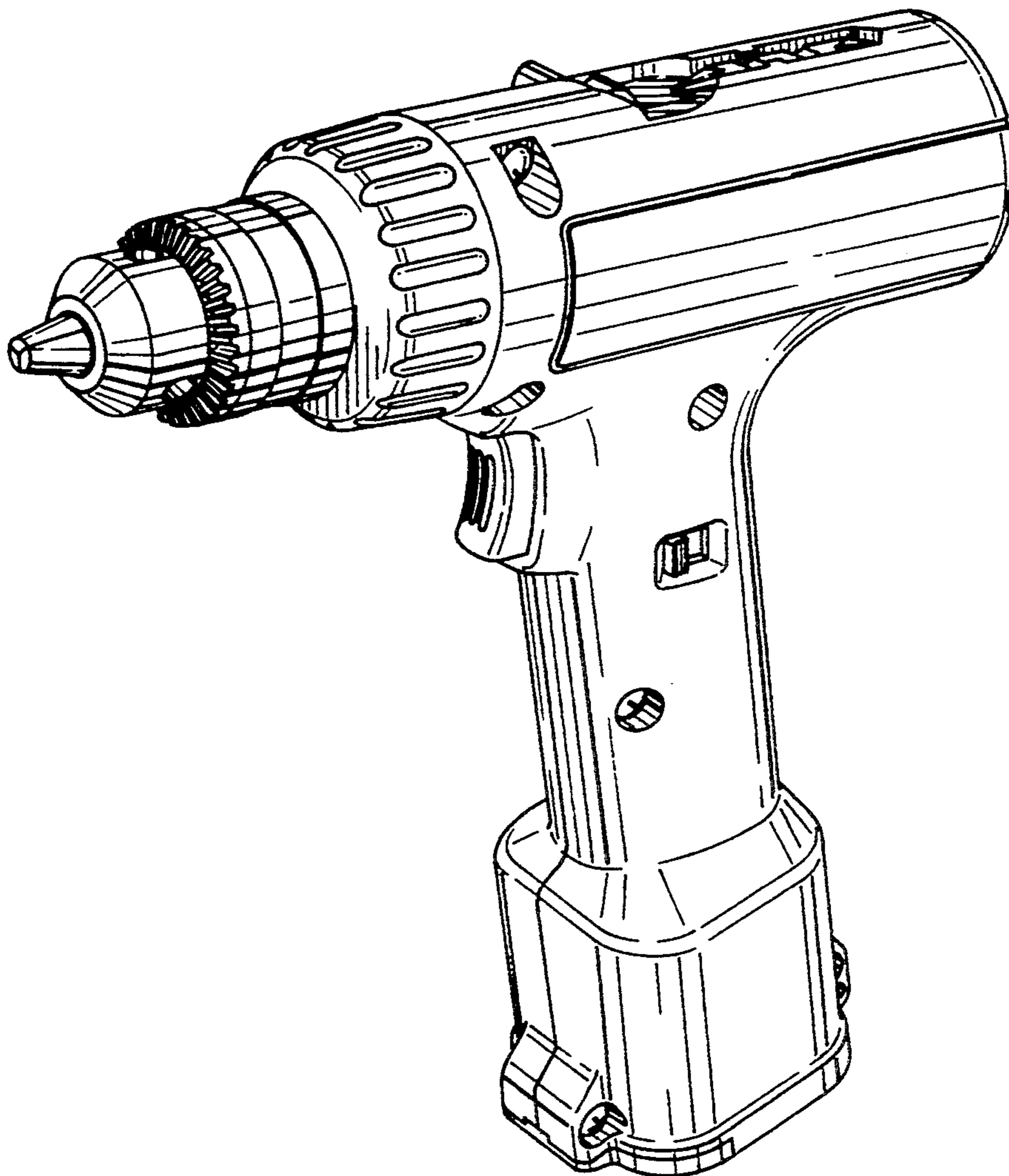
*Primary Examiner*—Alan P. Douglas  
*Assistant Examiner*—Jeffrey H. Musgrove  
*Attorney, Agent, or Firm*—Dennison, Meserole, Pollack  
 & Scheiner

## [57] CLAIM

The ornamental design for a portable electric drill, as shown and described.

## DESCRIPTION

FIG. 1 is a perspective view of a portable electric drill showing my new design;  
 FIG. 2 is a front elevational view thereof;  
 FIG. 3 is a rear elevational view thereof;  
 FIG. 4 is a left side elevational view thereof;  
 FIG. 5 is a right side elevational view thereof;  
 FIG. 6 is a top plan view thereof; and,  
 FIG. 7 is a bottom plan view thereof.



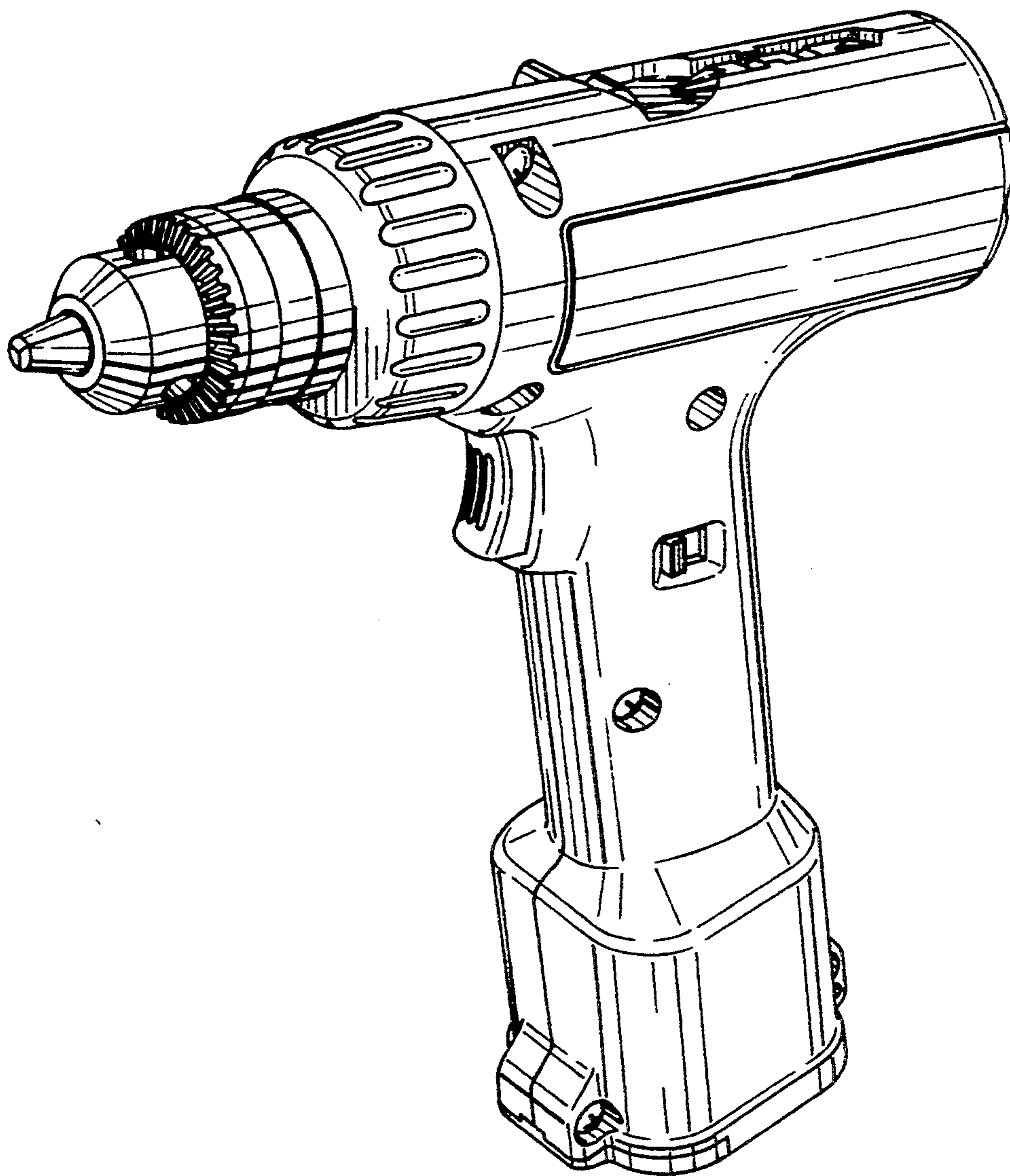


FIG. 1

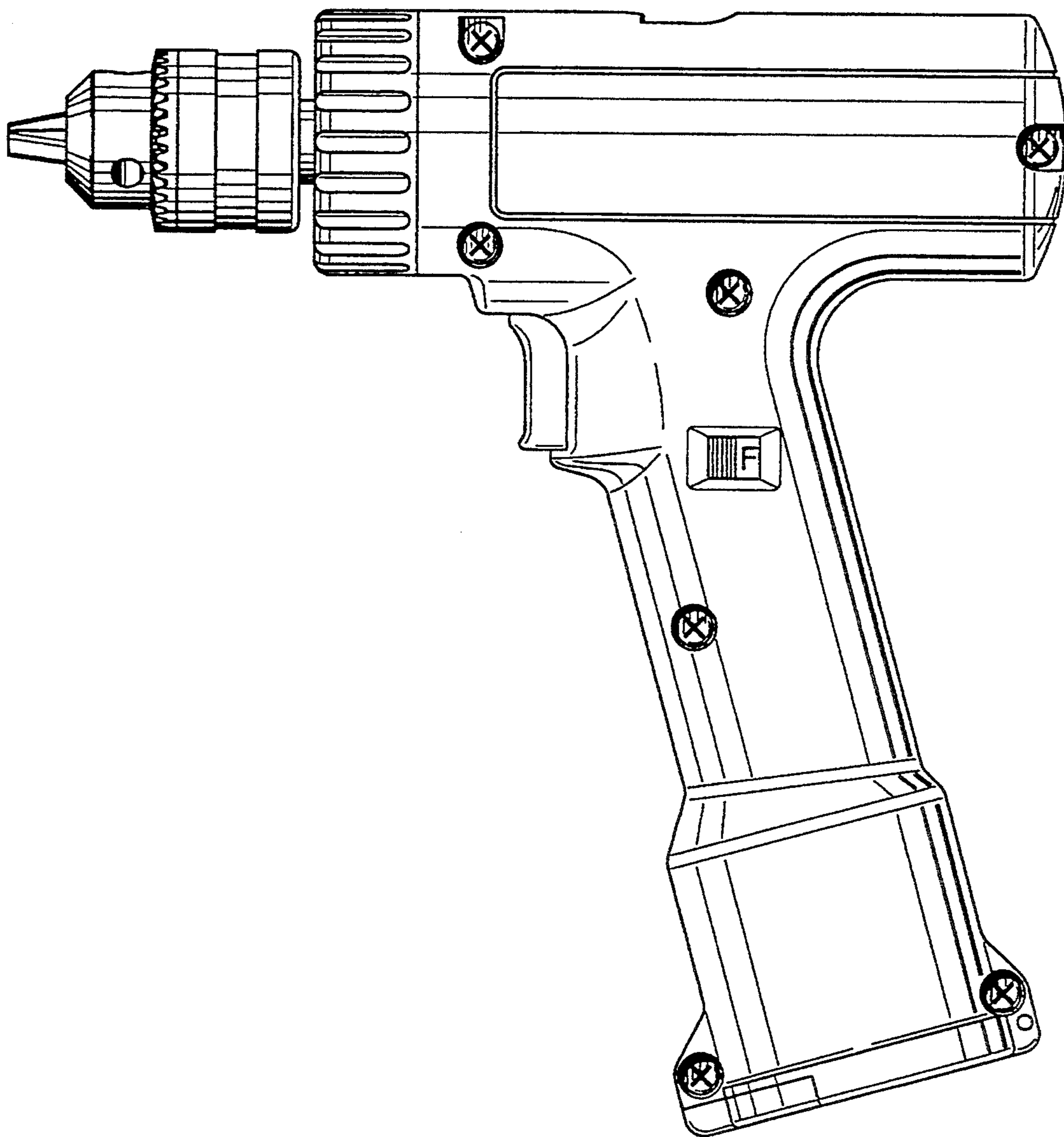


FIG. 2

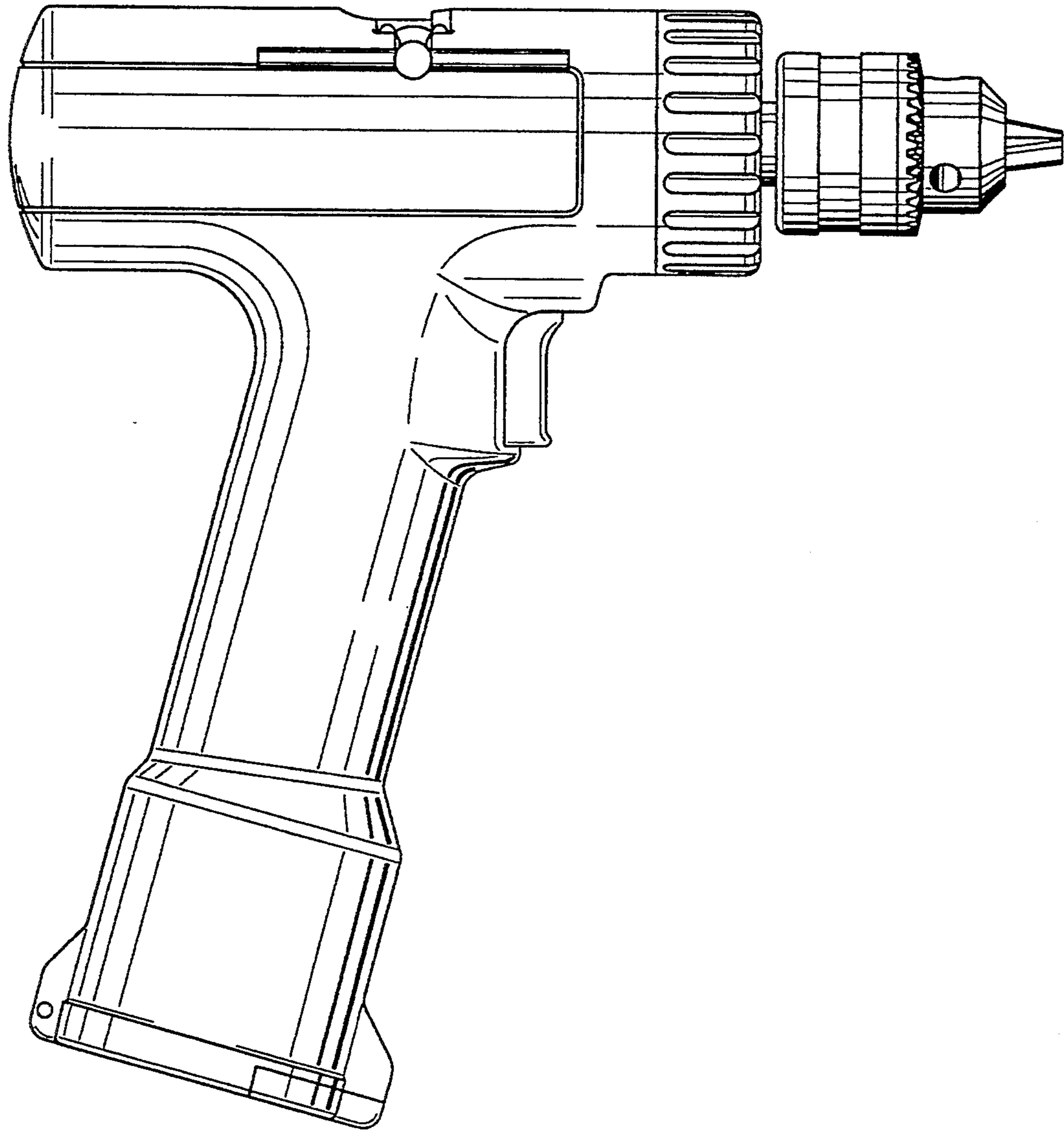


FIG. 3

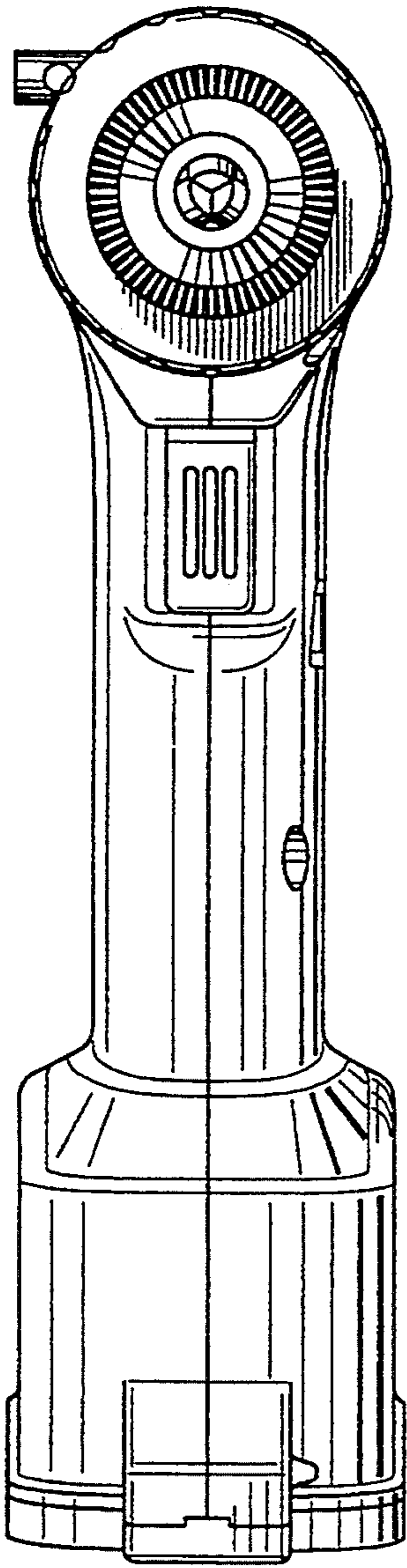


FIG. 4

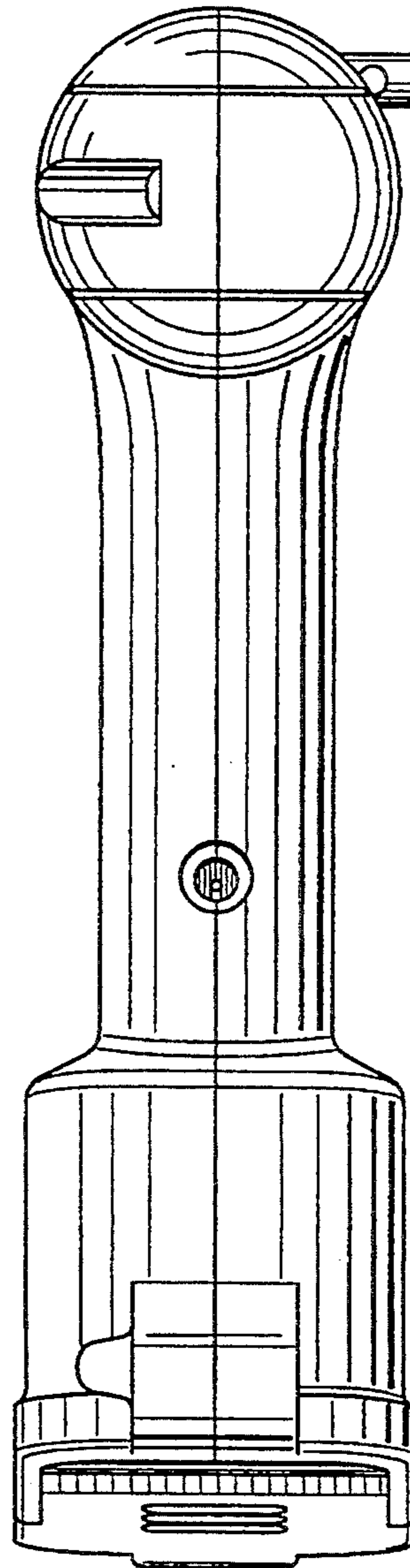


FIG. 5

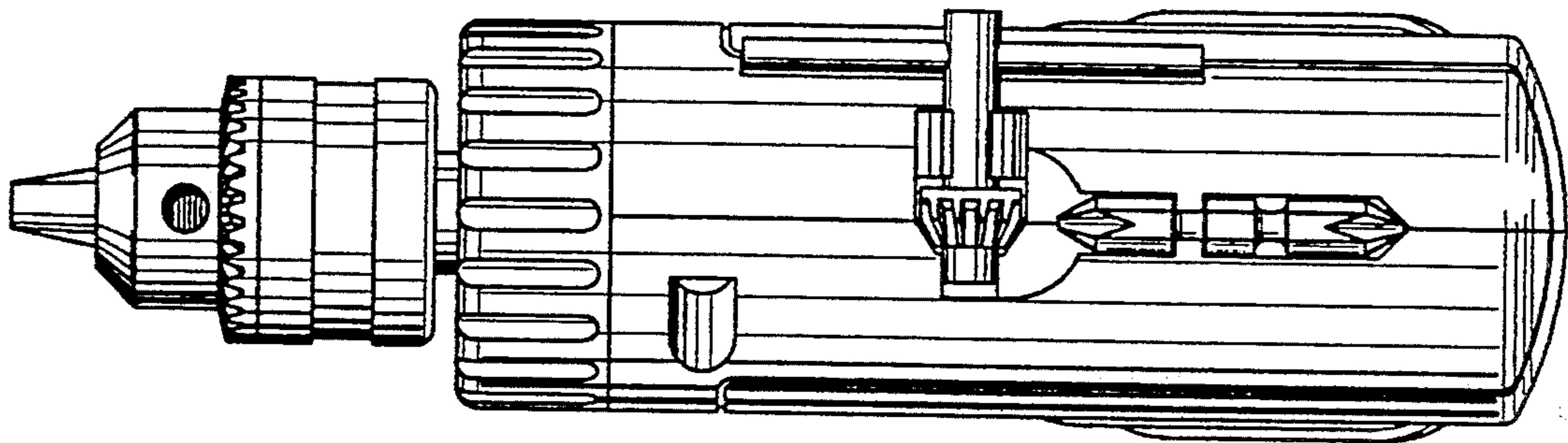


FIG. 6

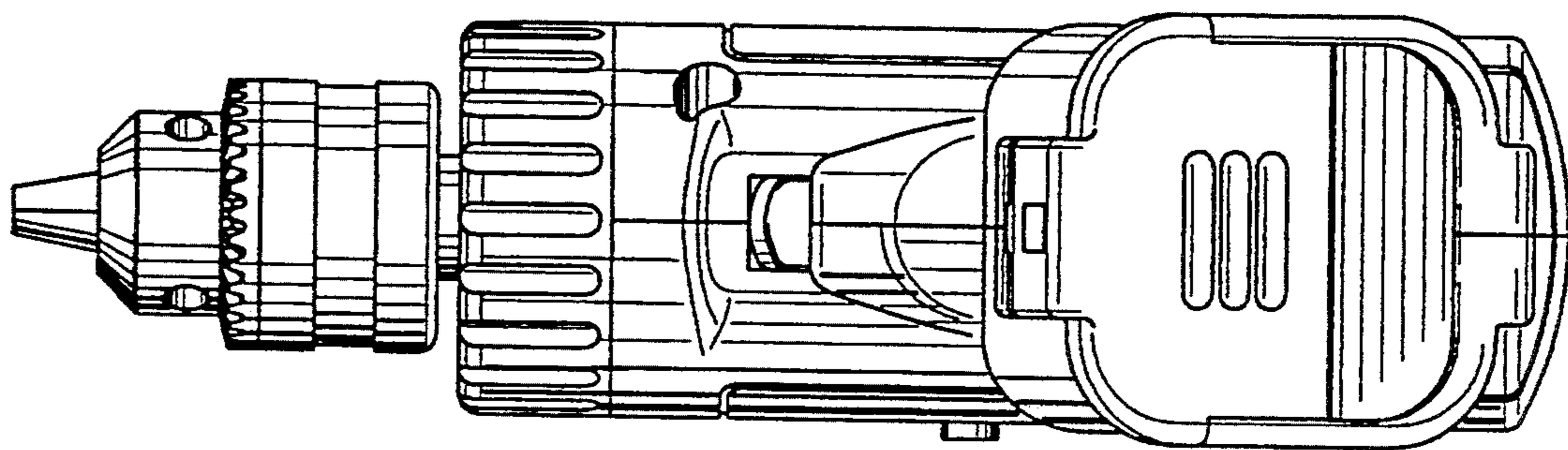


FIG. 7