



US00D360812S

United States Patent [19]
Johnson

[11] **Patent Number: Des. 360,812**

[45] **Date of Patent: ** Aug. 1, 1995**

[54] **SLICER**

[56] **References Cited**

U.S. PATENT DOCUMENTS

2,104,278 1/1938 Schultz D7/673 X
4,249,445 2/1981 Browing D7/673 X

Primary Examiner—Terry A. Wallace
Attorney, Agent, or Firm—Miller, Morriss & Pappas

[76] **Inventor: Larry L. Johnson, 1859 S. Waverly Rd., Eaton Rapids, Mich. 48827**

[**] **Term: 14 Years**

[57] **CLAIM**

The ornamental design for slicer, as shown and described.

[21] **Appl. No.: 12,036**

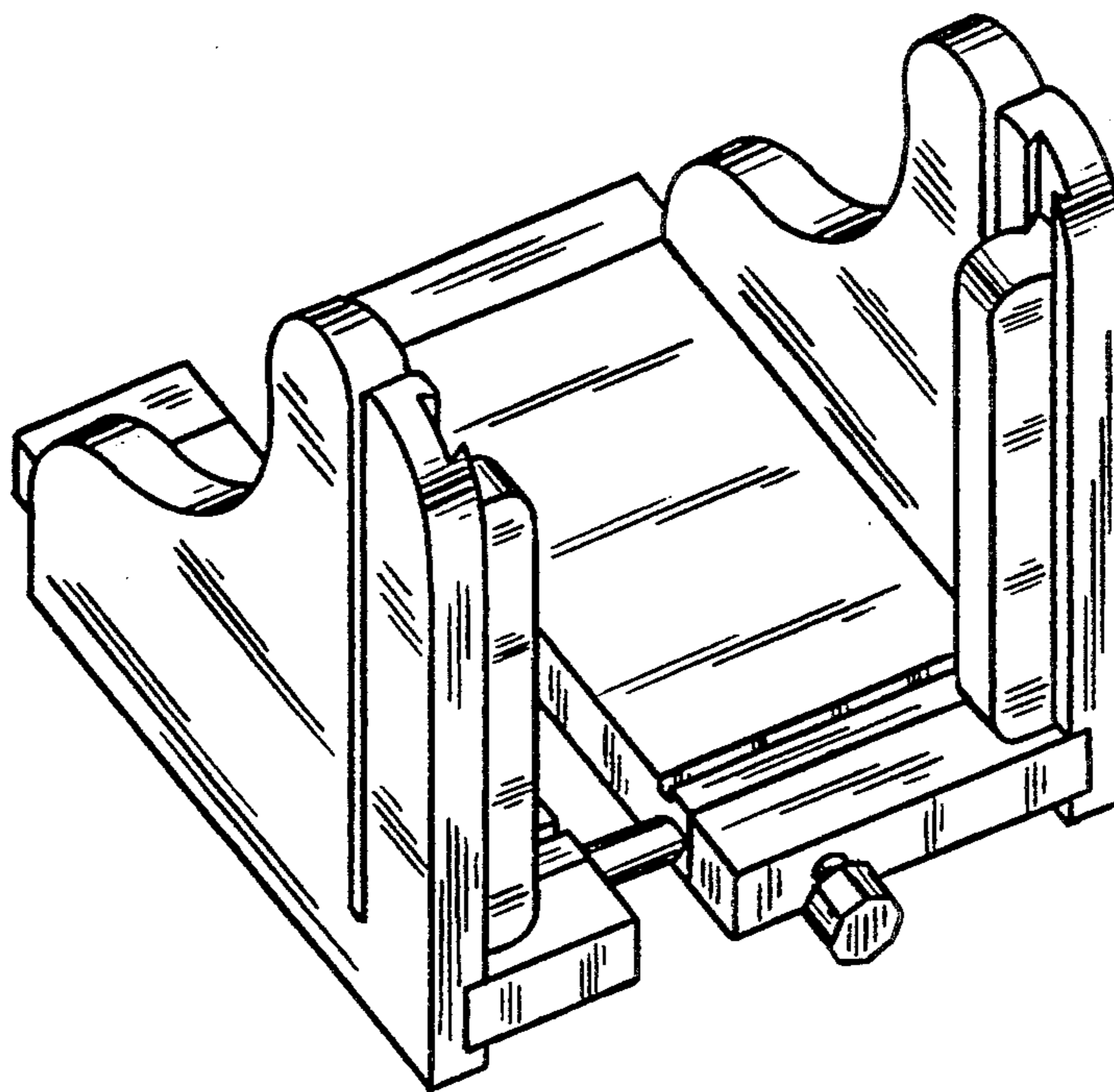
DESCRIPTION

FIG. 1 is a perspective view of a slicer showing my new design in an open position;
FIG. 2 is a left side elevational view thereof, the opposite side being a mirror image;
FIG. 3 is a front elevational view thereof;
FIG. 4 is a top plan view thereof; and,
FIG. 5 is a bottom plan view thereof.

[22] **Filed: Sep. 22, 1993**

[52] **U.S. Cl. D7/673**

[58] **Field of Search D7/672-673;
83/761-765, 454-455, 467.1, 468.6; 269/289 R,
291-292, 295**



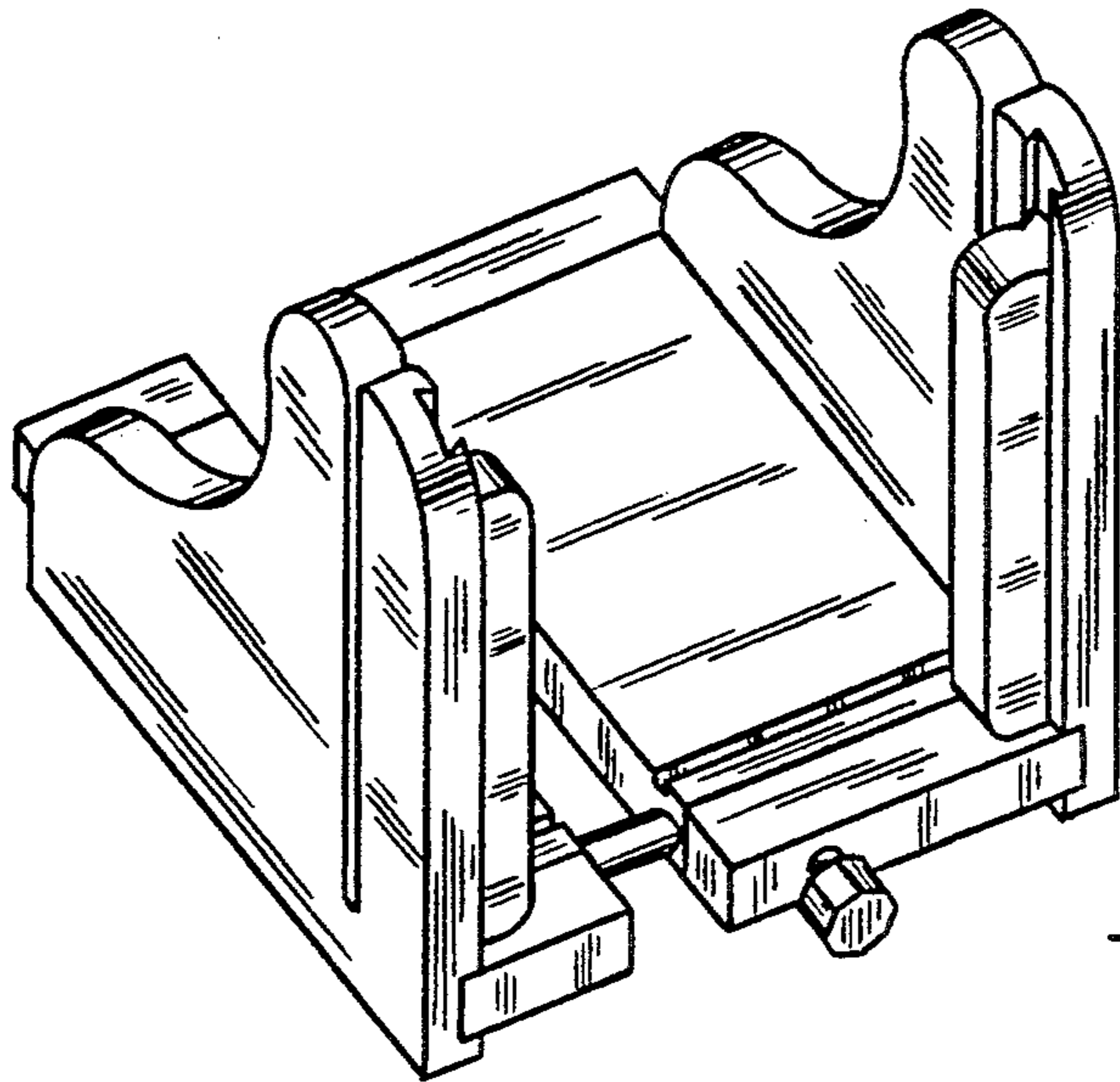


FIG. 1

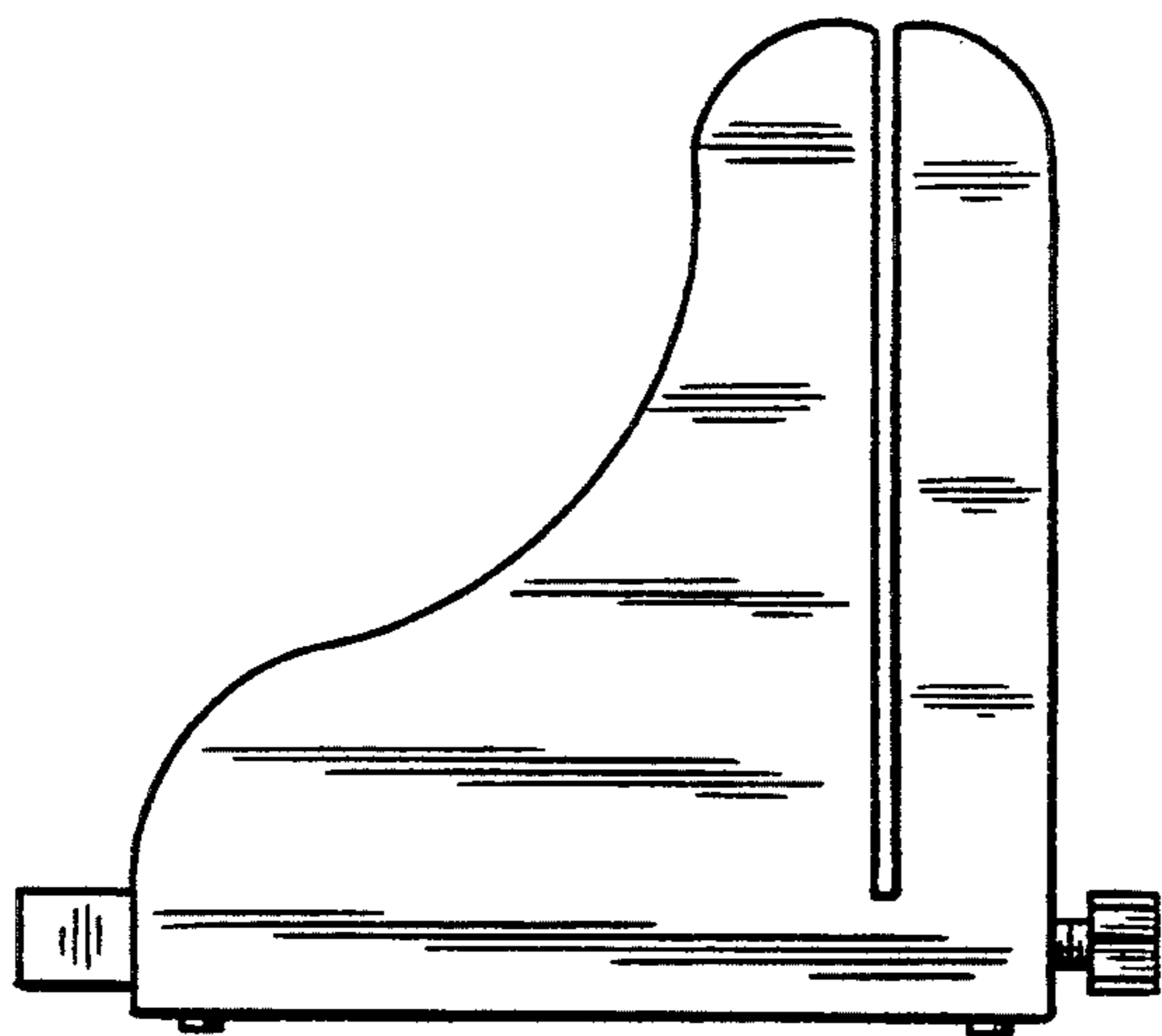


FIG. 2

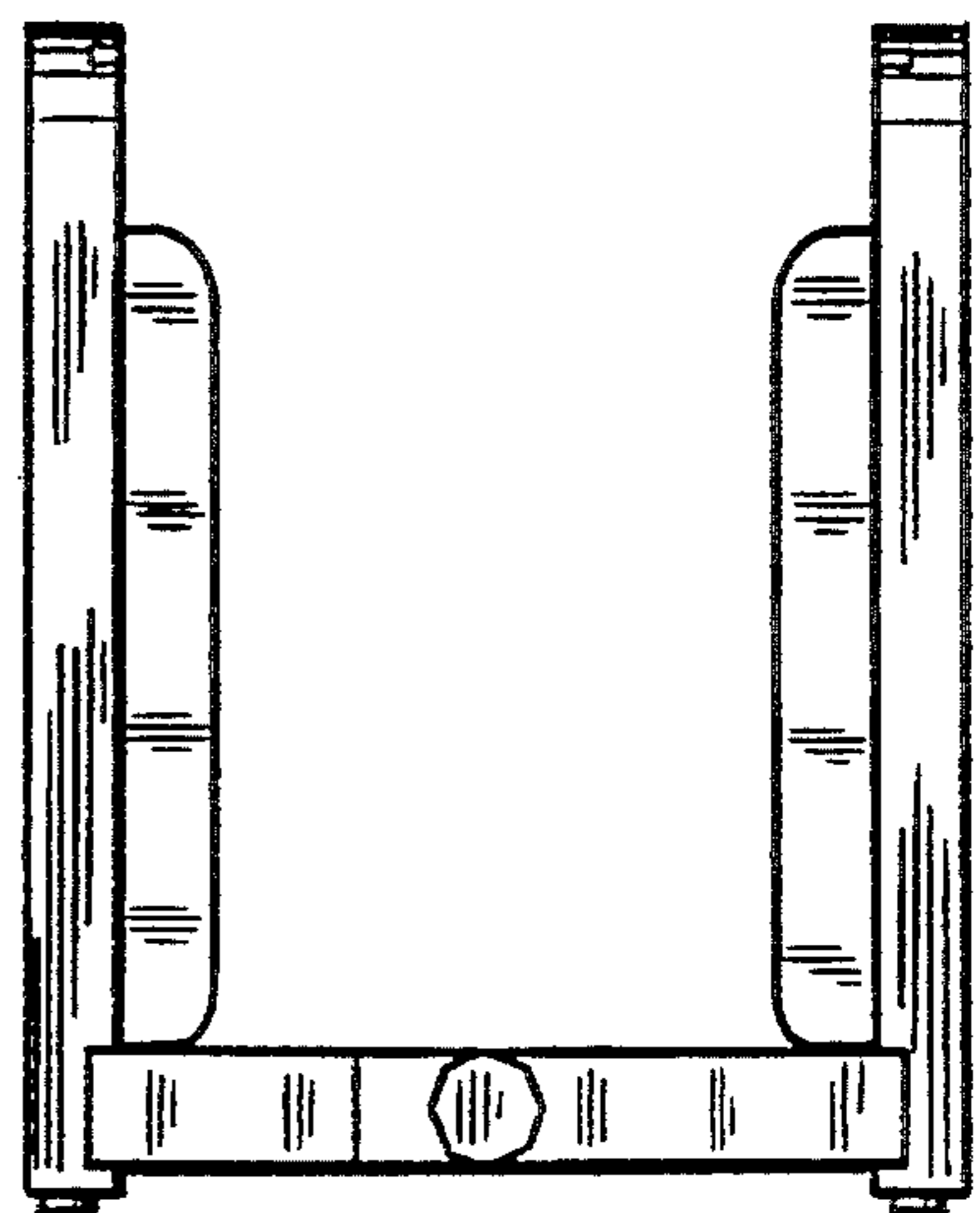


FIG. 3

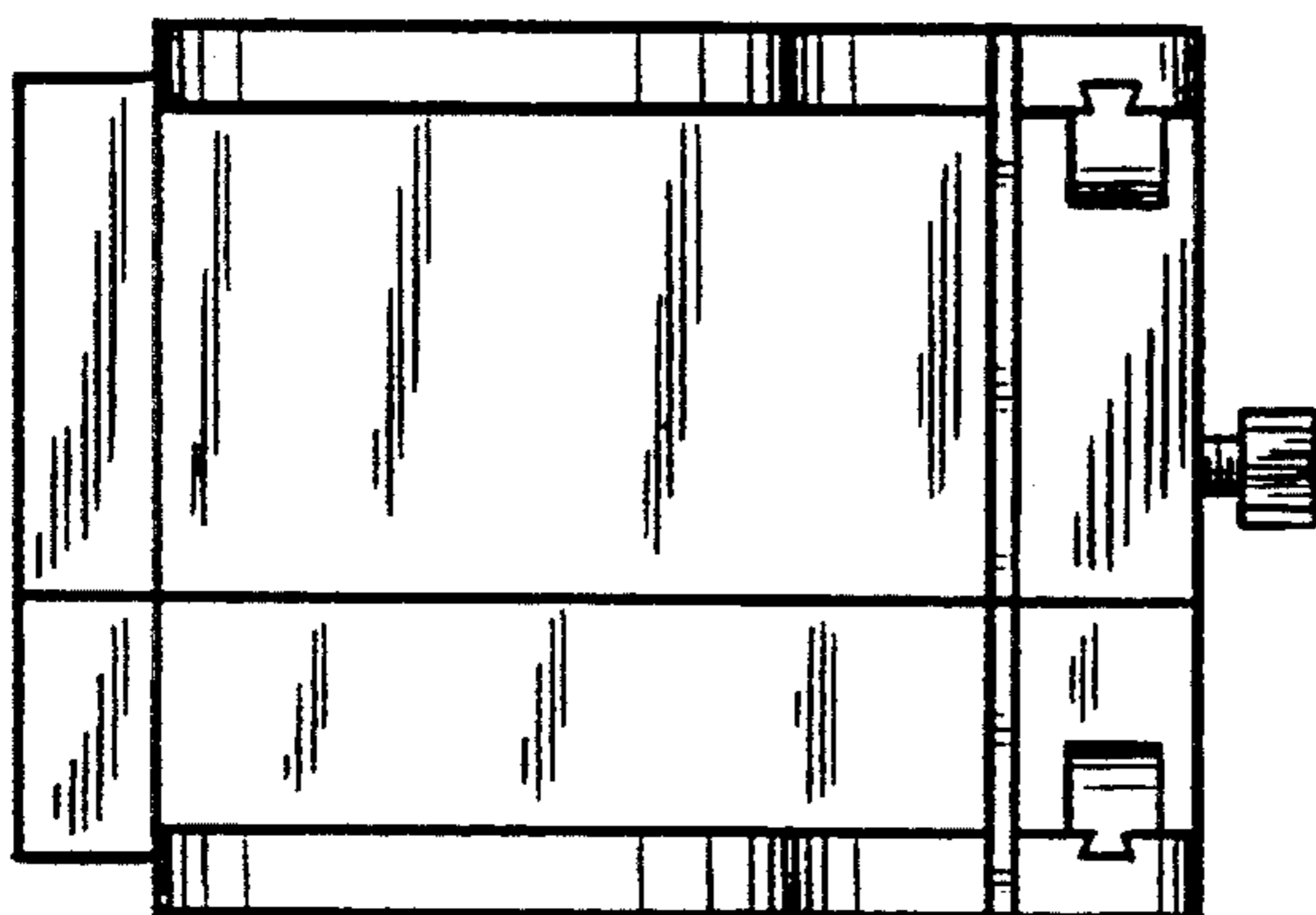


FIG. 4

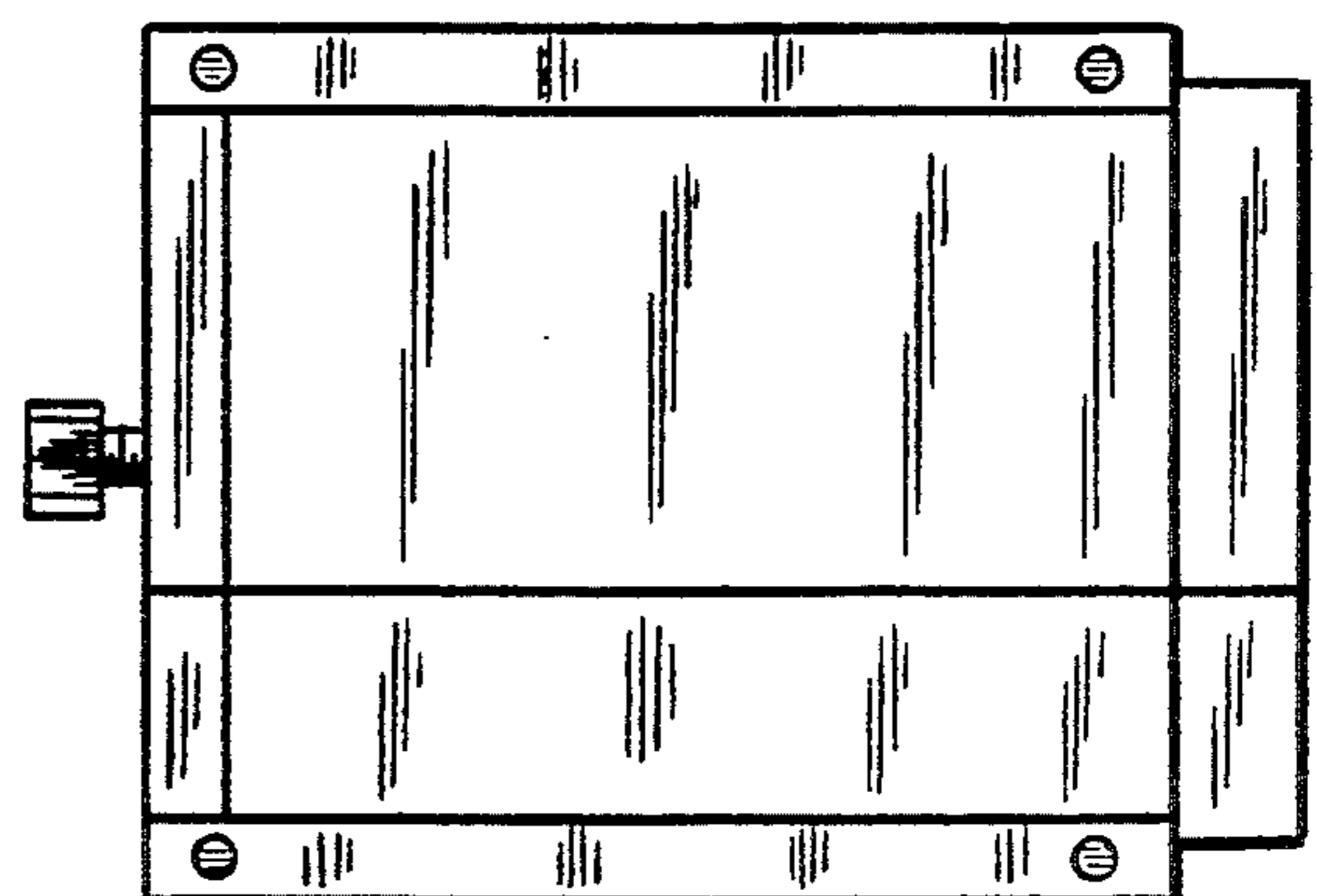


FIG. 5