



US00D360807S

United States Patent [19] Scholfield

[11] Patent Number: **Des. 360,807**

[45] Date of Patent: **** Aug. 1, 1995**

[54] **CUP WITH COVER/COASTER**

[76] Inventor: **Richard P. Scholfield**, 4608 Eastlake Cir., Sarasota, Fla. 34232

[**] Term: **14 Years**

[21] Appl. No.: **21,384**

[22] Filed: **Apr. 15, 1994**

[52] U.S. Cl. **D7/511; D7/505; D7/536**

[58] Field of Search **D7/523, 505, 543, 507, D7/509, 510, 511, 533, 534, 536, 396.1, 624; 220/771, 711**

[56] **References Cited**

U.S. PATENT DOCUMENTS

D. 286,967	12/1986	Appel	D7/511
D. 346,092	4/1994	Van de Velde	D7/536 X
D. 350,579	9/1994	Bailey	D7/509 X
D. 351,314	10/1994	Sokolski et al.	D7/536 X
3,684,123	8/1972	Bridges	D7/511 X
3,715,895	2/1973	Devlin	D7/511 X
4,759,524	7/1988	Anderson	D7/624 X
4,928,848	5/1990	Ballway	D7/536 X
5,143,248	9/1992	Sawatsky	220/711
5,186,353	2/1993	Ramsey	220/711

FOREIGN PATENT DOCUMENTS

1029516 6/1950 France 220/711

Primary Examiner—Alan P. Douglas

Assistant Examiner—M. N. Pandozzi

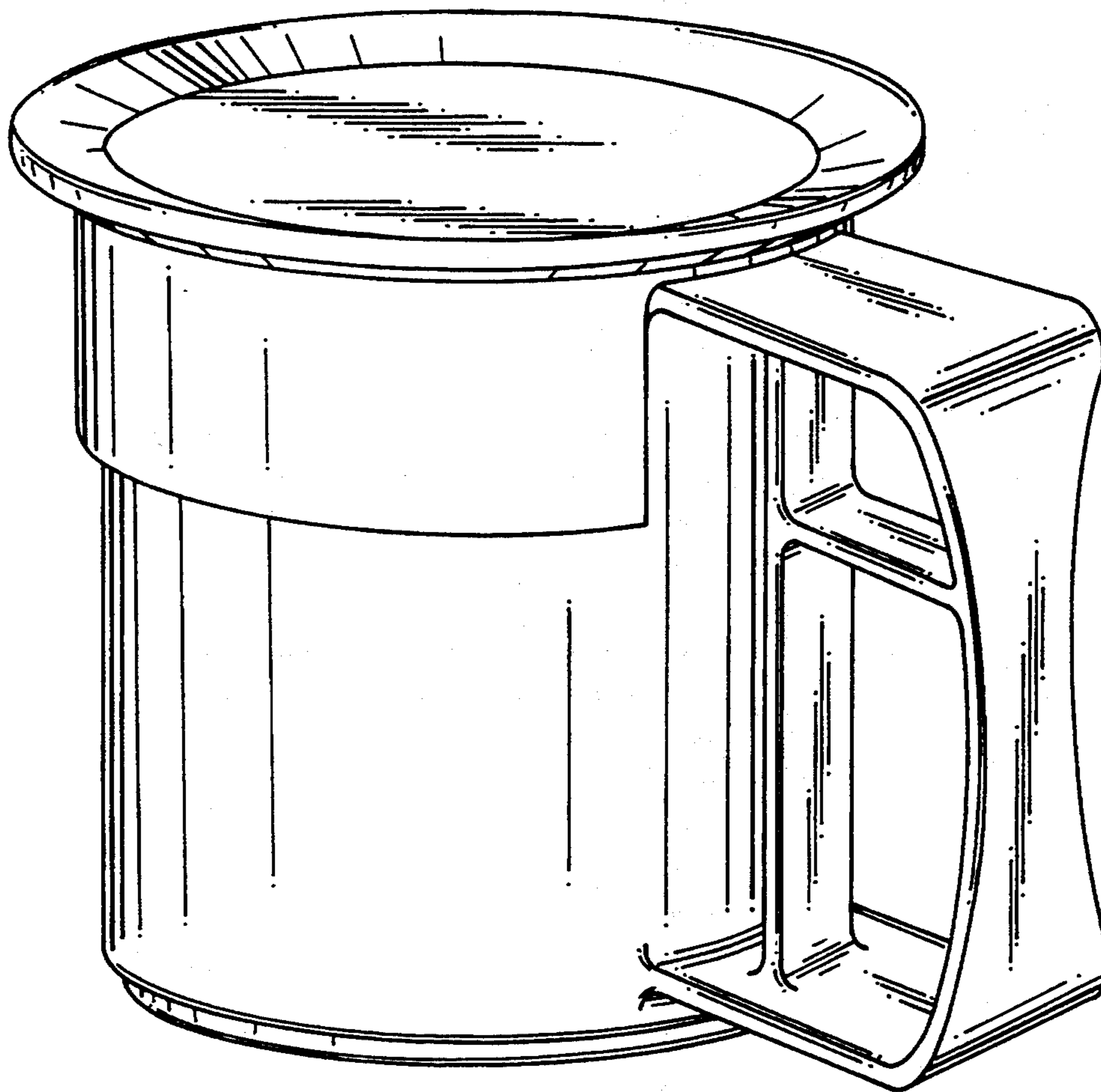
Attorney, Agent, or Firm—Cushman, Darby & Cushman

[57] **CLAIM**

The ornamental design for cup with cover/coaster, as shown and described.

DESCRIPTION

FIG. 1 is a perspective view of a cup with cover/coaster showing my new design;
 FIG. 2 is a top plan view thereof;
 FIG. 3 is a bottom plan view thereof;
 FIG. 4 is a front elevational view thereof the rear elevational view being a mirror image thereof;
 FIG. 5 is a side elevational view thereof taken from line 5—5 in FIG. 4;
 FIG. 6 is a side elevational view of the cup taken from line 6—6 in FIG. 4;
 FIG. 7 is a sectional view taken along line 7—7 in FIG. 2; and,
 FIG. 8 is a sectional view taken along line 8—8 in FIG. 2.



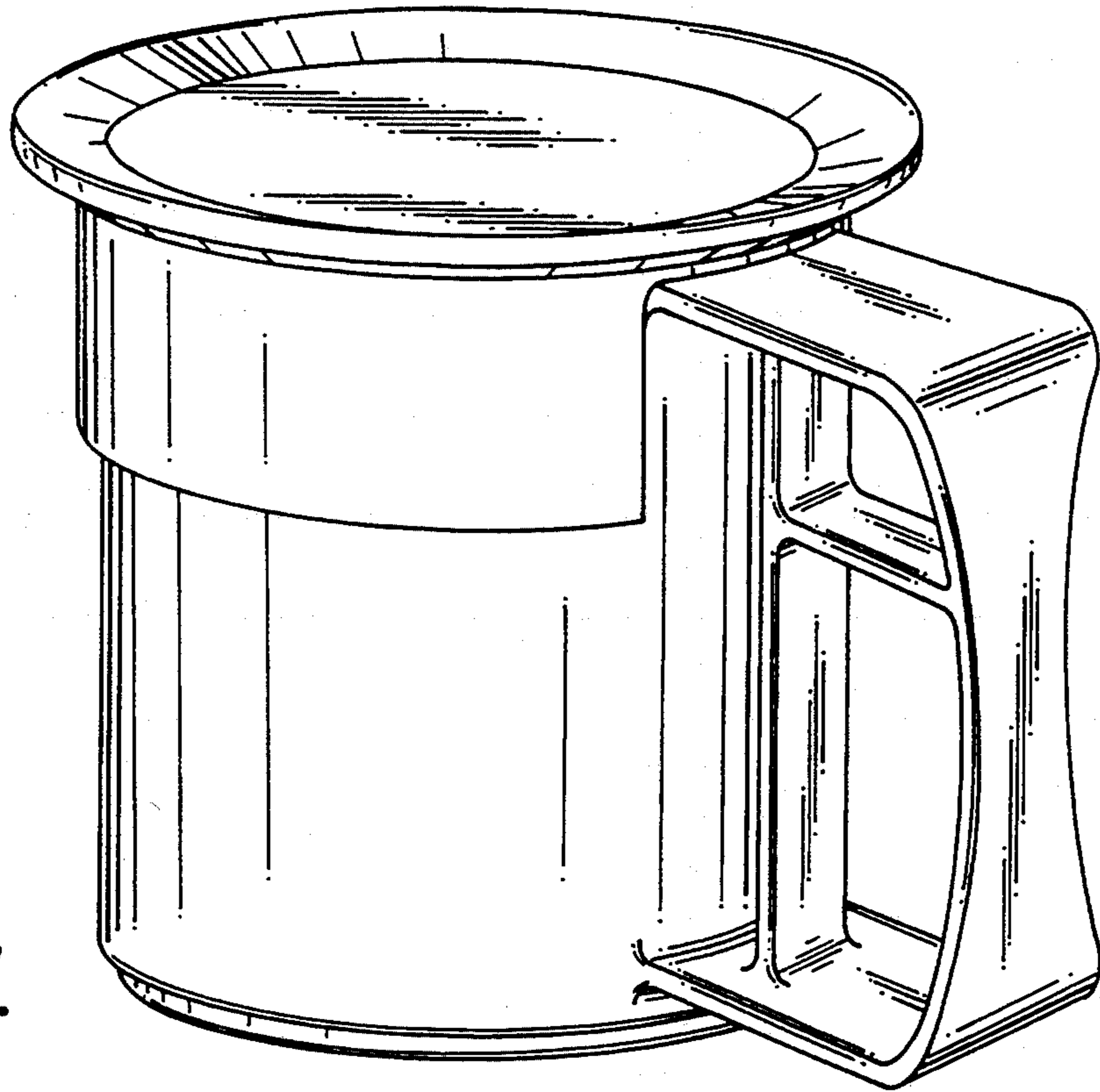


FIG. 1

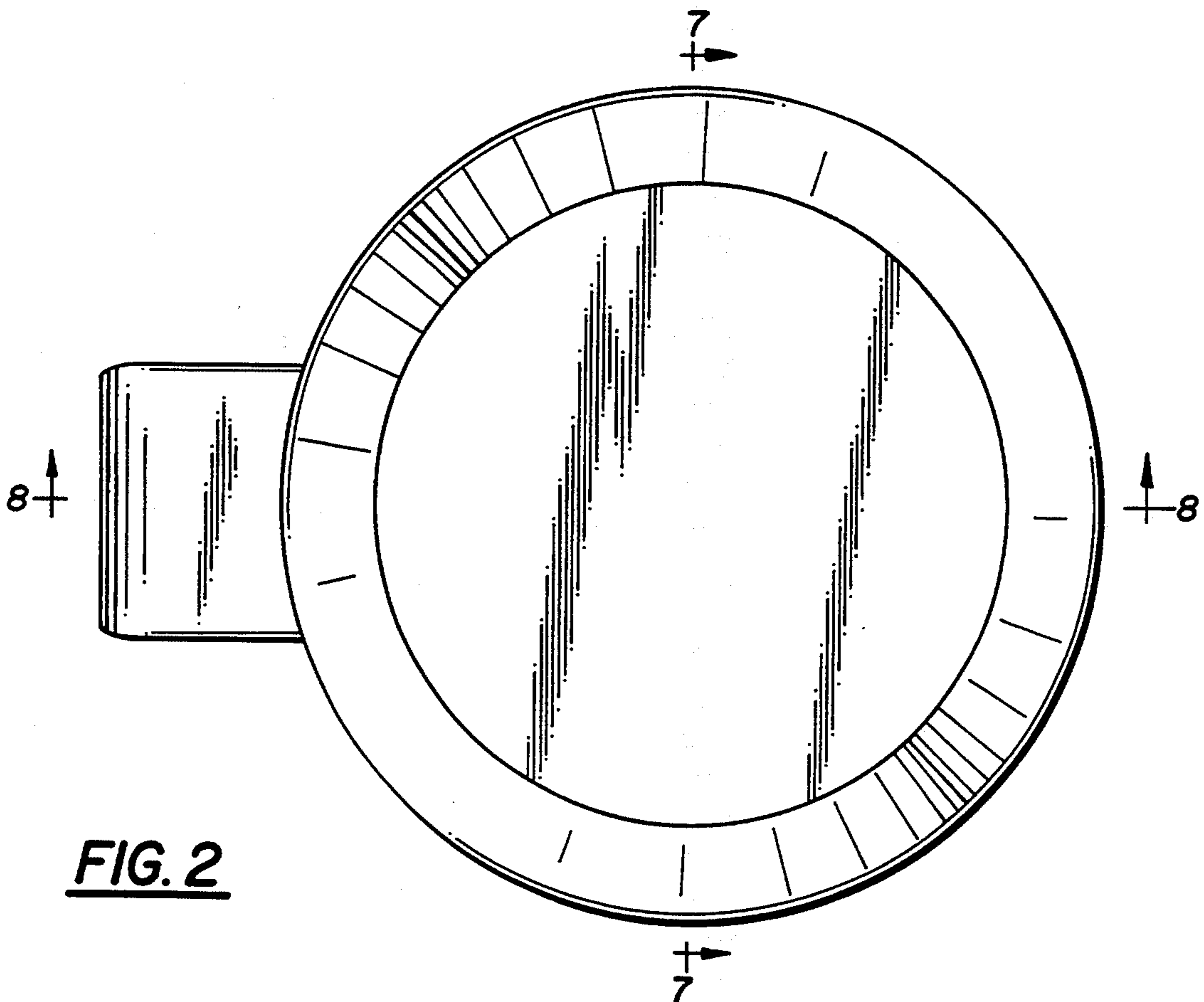


FIG. 2

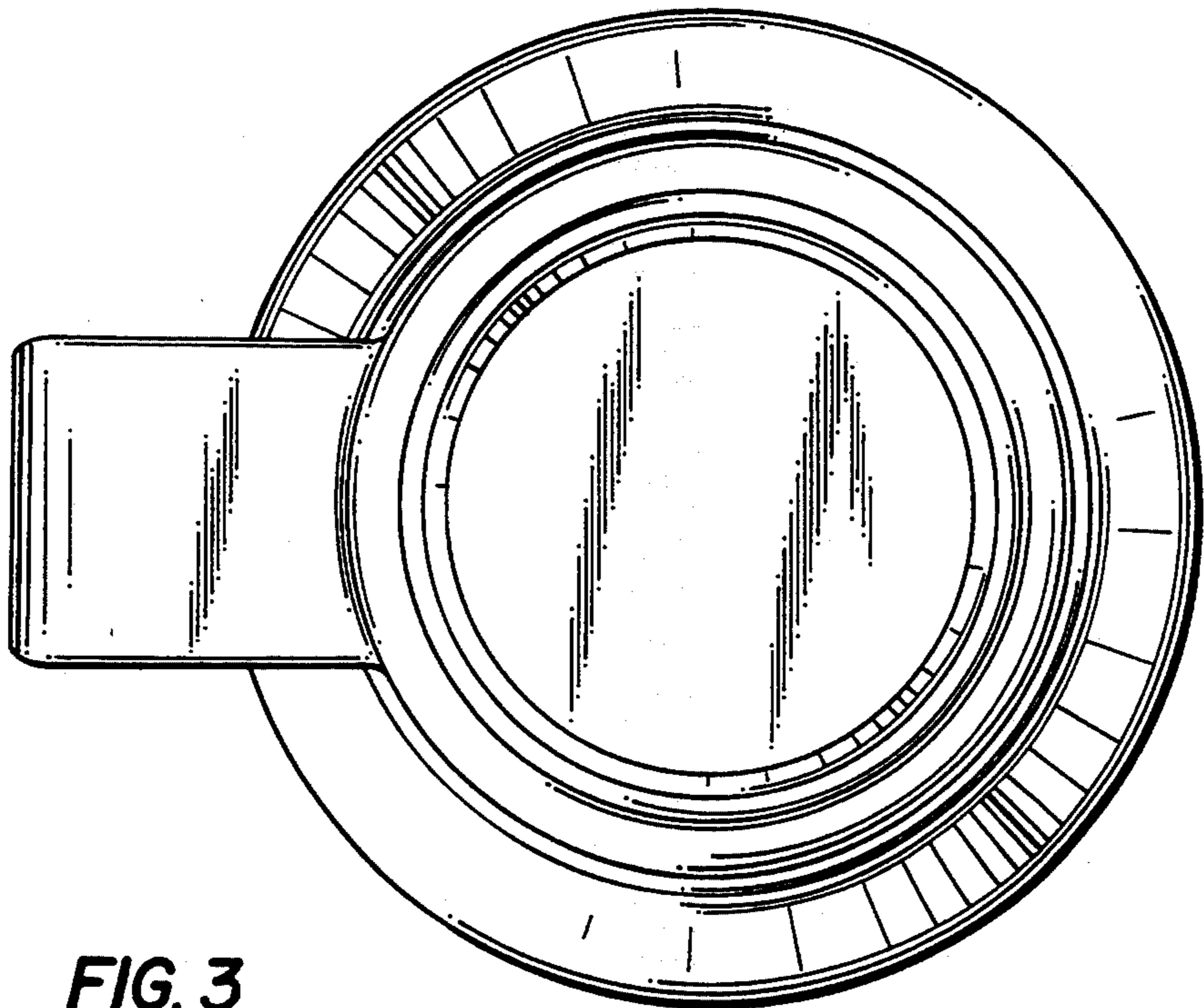


FIG. 3

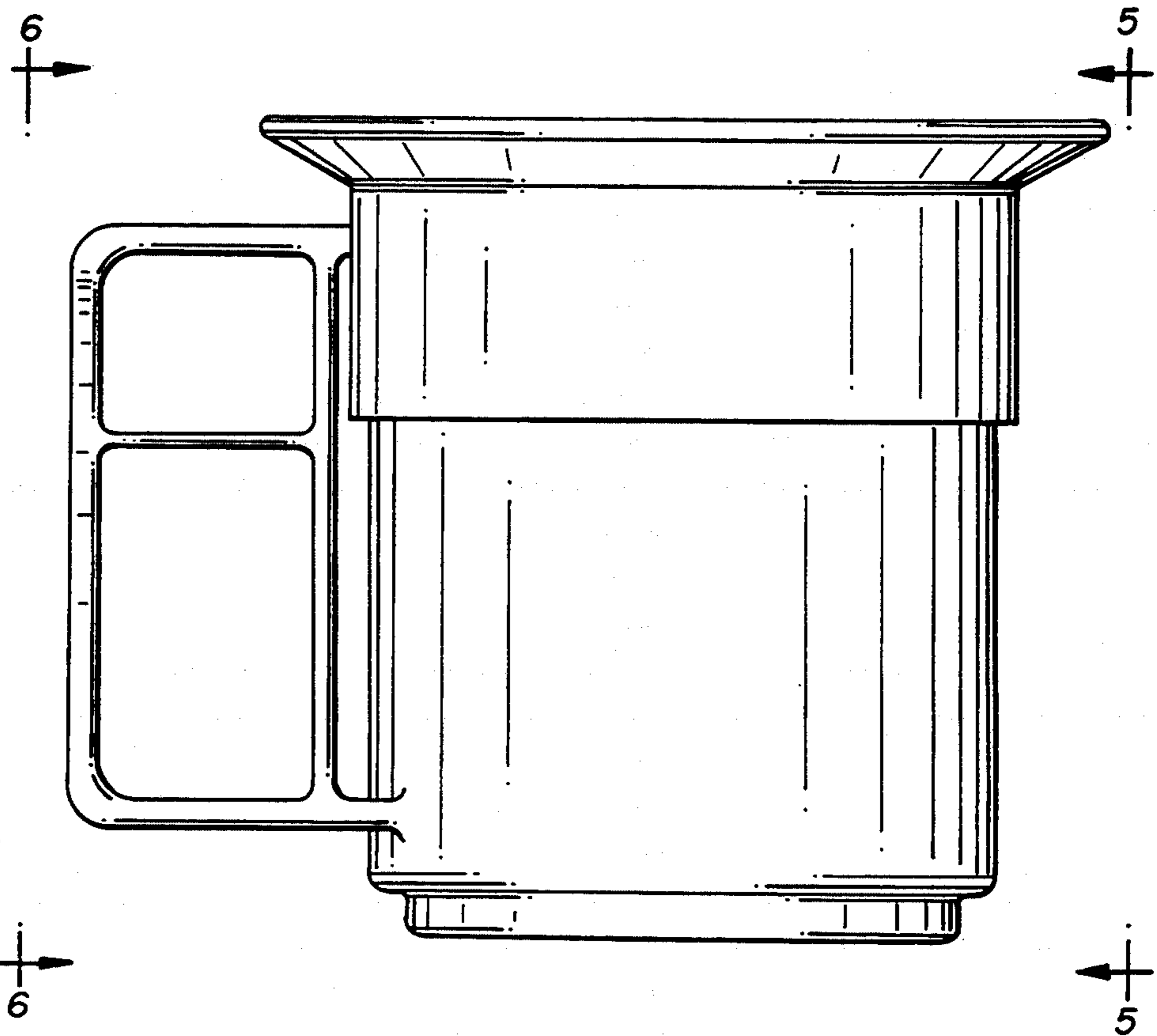


FIG. 4

FIG. 5

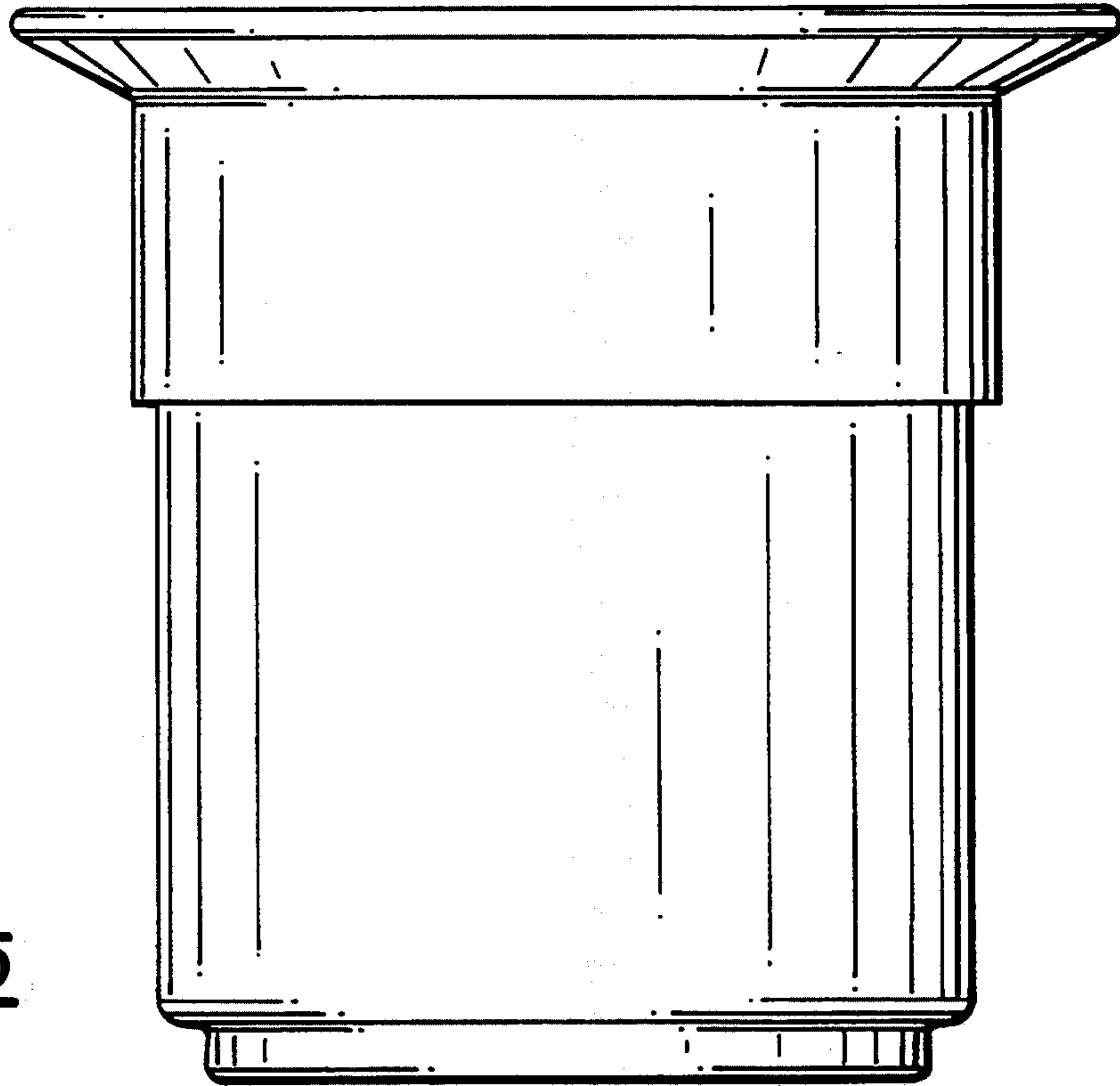


FIG. 6

