



US00D360806S

United States Patent [19]

[11] Patent Number: **Des. 360,806**

Morris et al.

[45] Date of Patent: **** Aug. 1, 1995**

[54] BEVERAGE COOLING SLEEVE

4,986,089 1/1991 Raab 62/457.4

[76] Inventors: **Jerome E. Morris; Linda Morris**,
both of 8651 Buena Vista La.,
Hesperia, Calif. 92345

OTHER PUBLICATIONS

Tableware, Sep. 1963, p. 654, Panel #56, Cup Holder.
Gott Brochure, p. 5, Insulative Beverage Holder.

[**] Term: **14 Years**

Primary Examiner—Terry A. Wallace
Attorney, Agent, or Firm—Terry M. Gernstein

[21] Appl. No.: **19,479**

[57] CLAIM

[22] Filed: **Mar. 3, 1994**

The ornamental design for a beverage cooling sleeve, as shown and described.

[52] U.S. Cl. **D7/608**

[58] Field of Search D7/605-608,
D7/624; 62/457.1-457.4, 529-530; 215/100.5;
220/737, 739, DIG. 9, 903, 906; 248/346.1

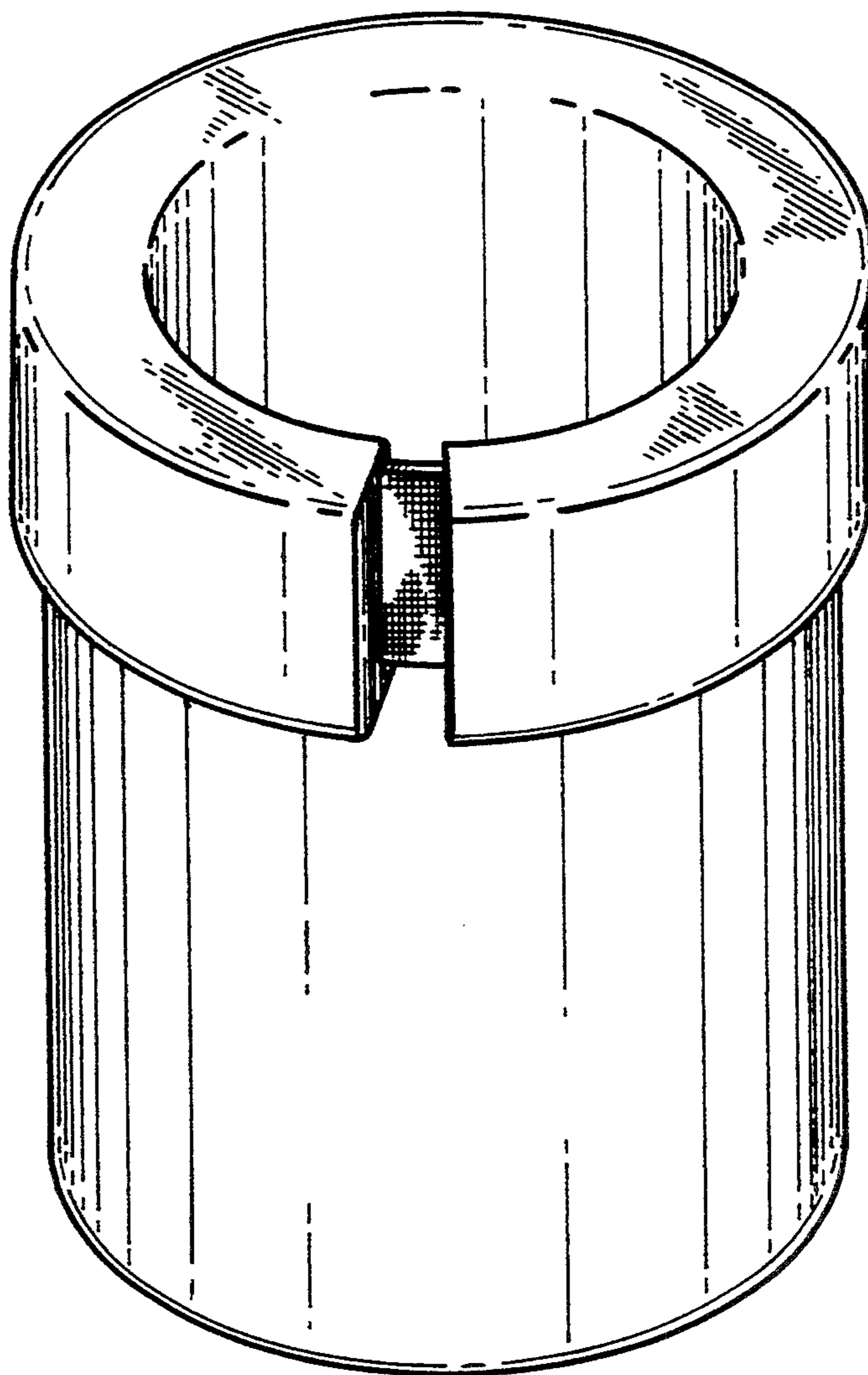
DESCRIPTION

[56] References Cited

U.S. PATENT DOCUMENTS

4,324,111	4/1982	Edwards	62/457.4
4,344,303	8/1982	Kelly, Jr.	62/530
4,741,176	5/1988	Johnson	62/457.4
4,831,842	5/1989	Kelley et al.	62/457.4
4,882,914	11/1989	Hines-Kelley	62/457.4

FIG. 1 is a top, front, right side perspective view of a beverage cooling sleeve showing our new design;
FIG. 2 is a rear elevational view thereof;
FIG. 3 is a front elevational view thereof;
FIG. 4 is a side elevational view thereof, the side opposite being a mirror image of the side shown in FIG. 4;
FIG. 5 is a top plan view thereof; and,
FIG. 6 is a bottom plan view thereof.



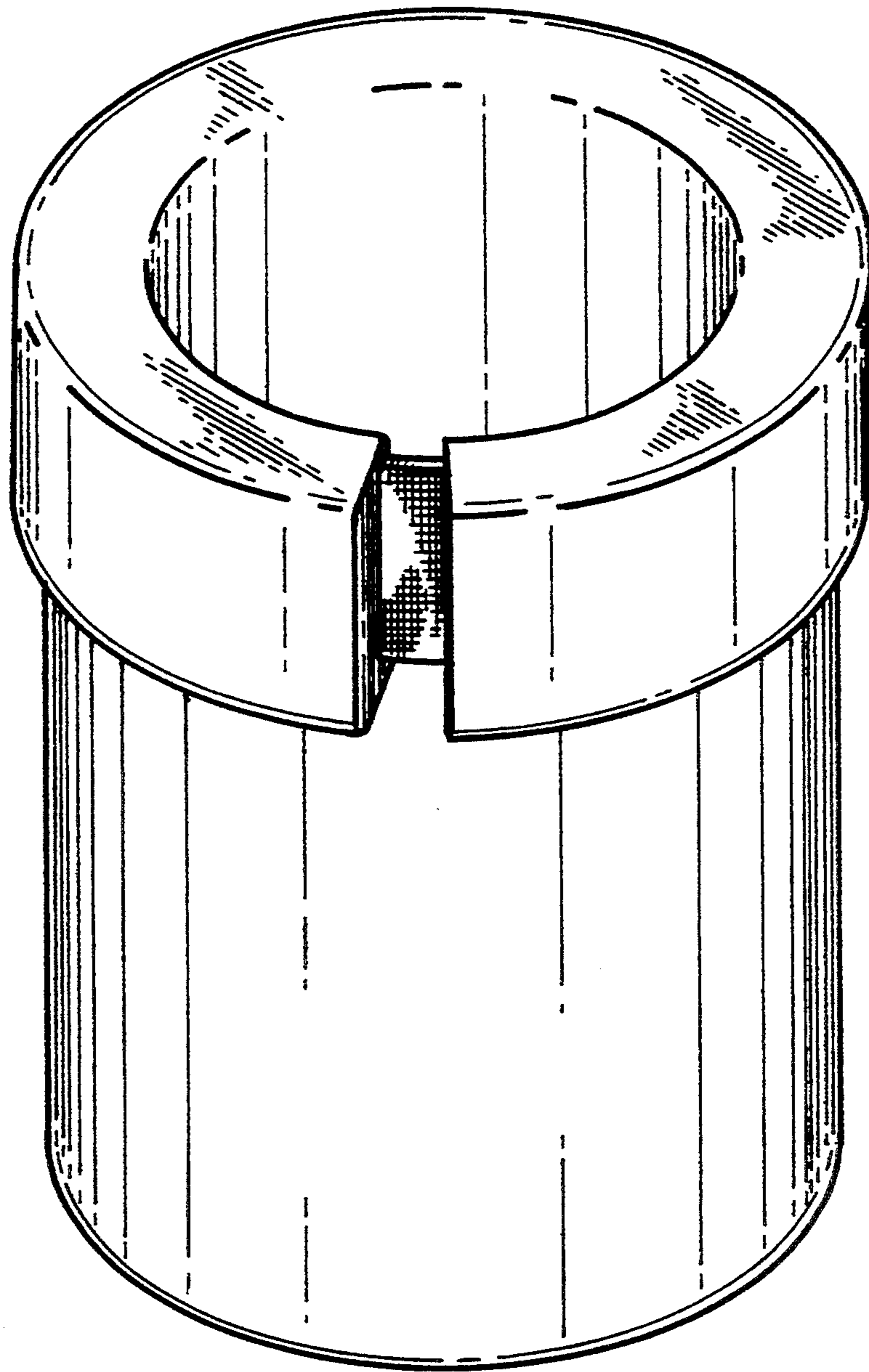


FIG. 1

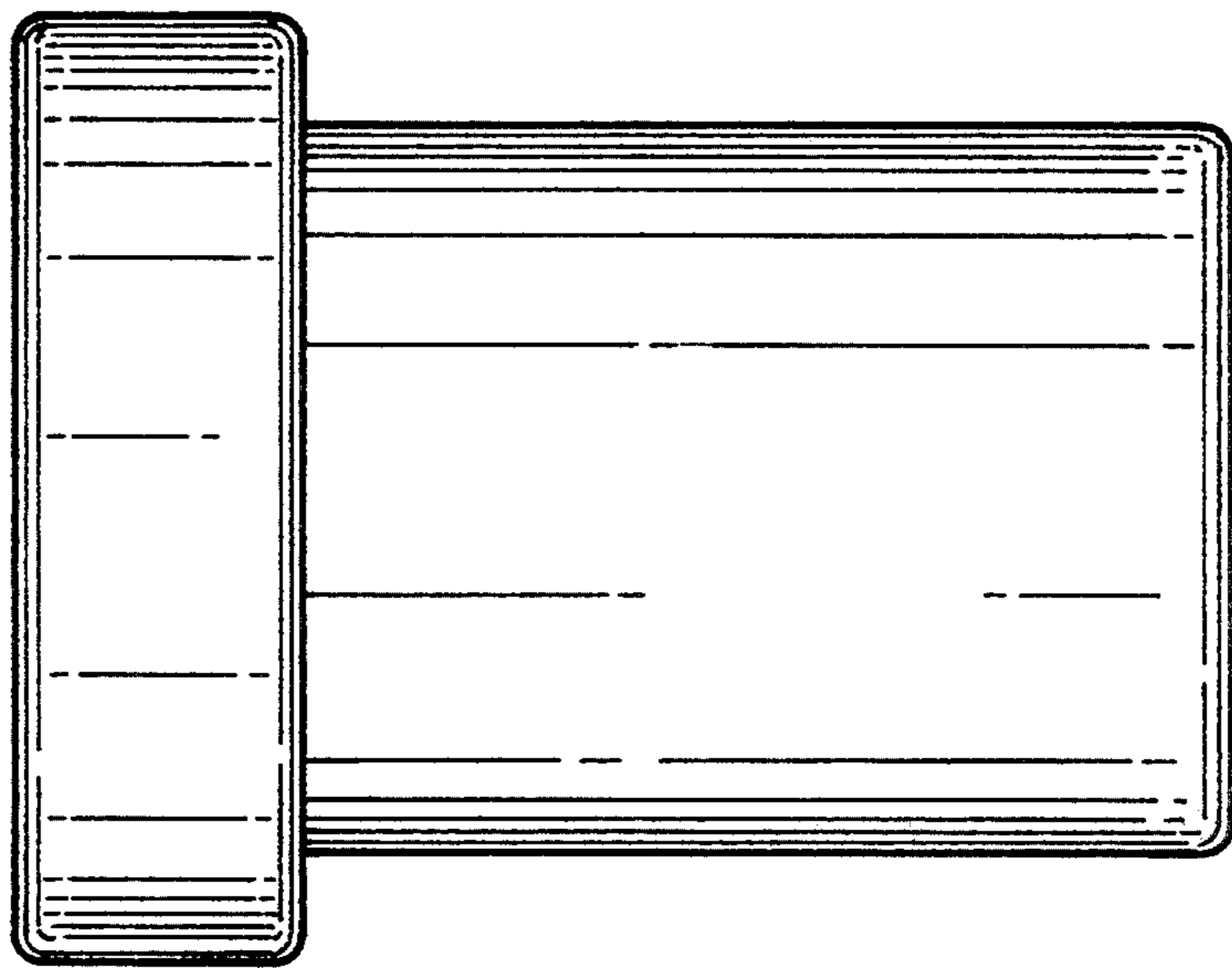


FIG. 4

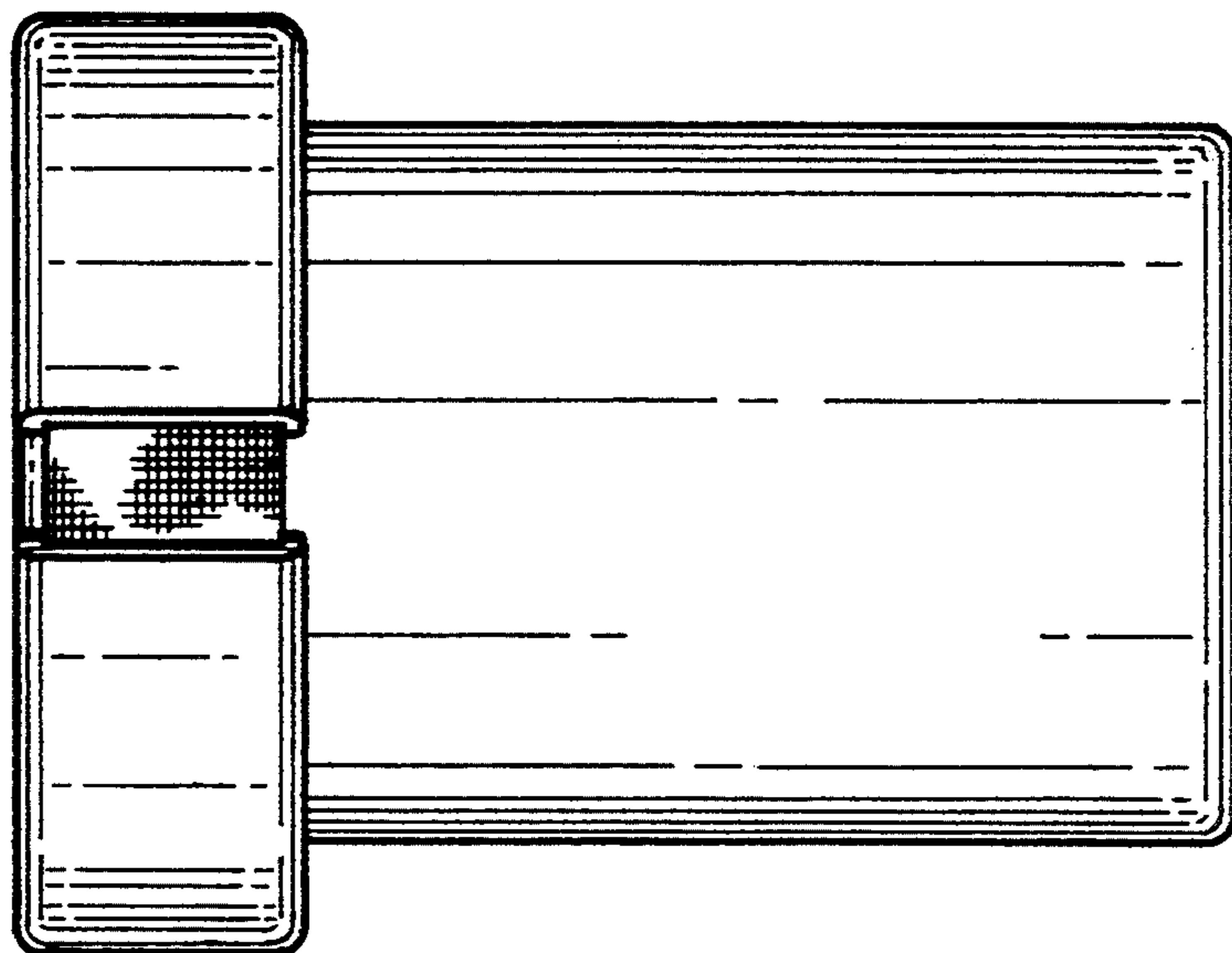


FIG. 3

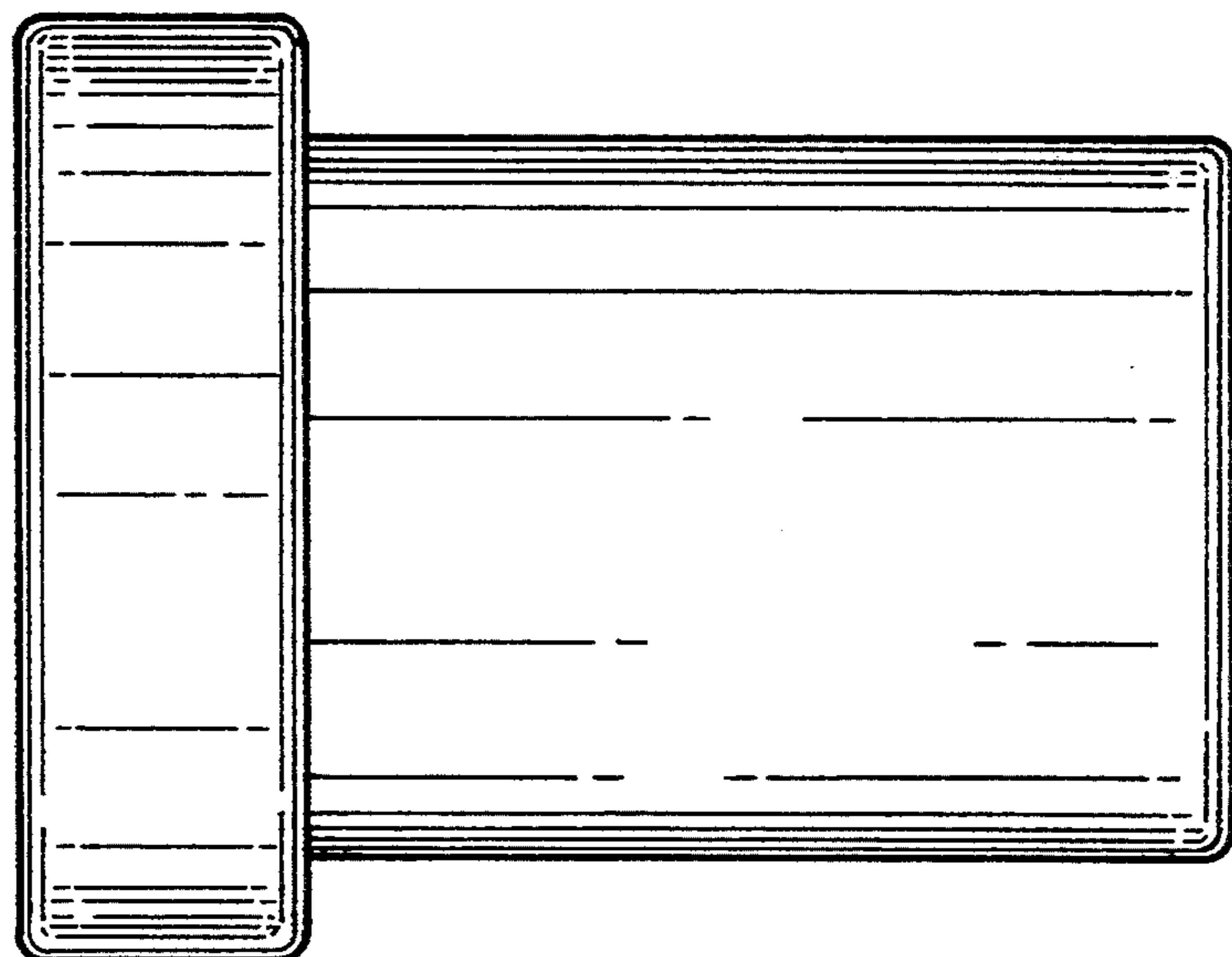


FIG. 2

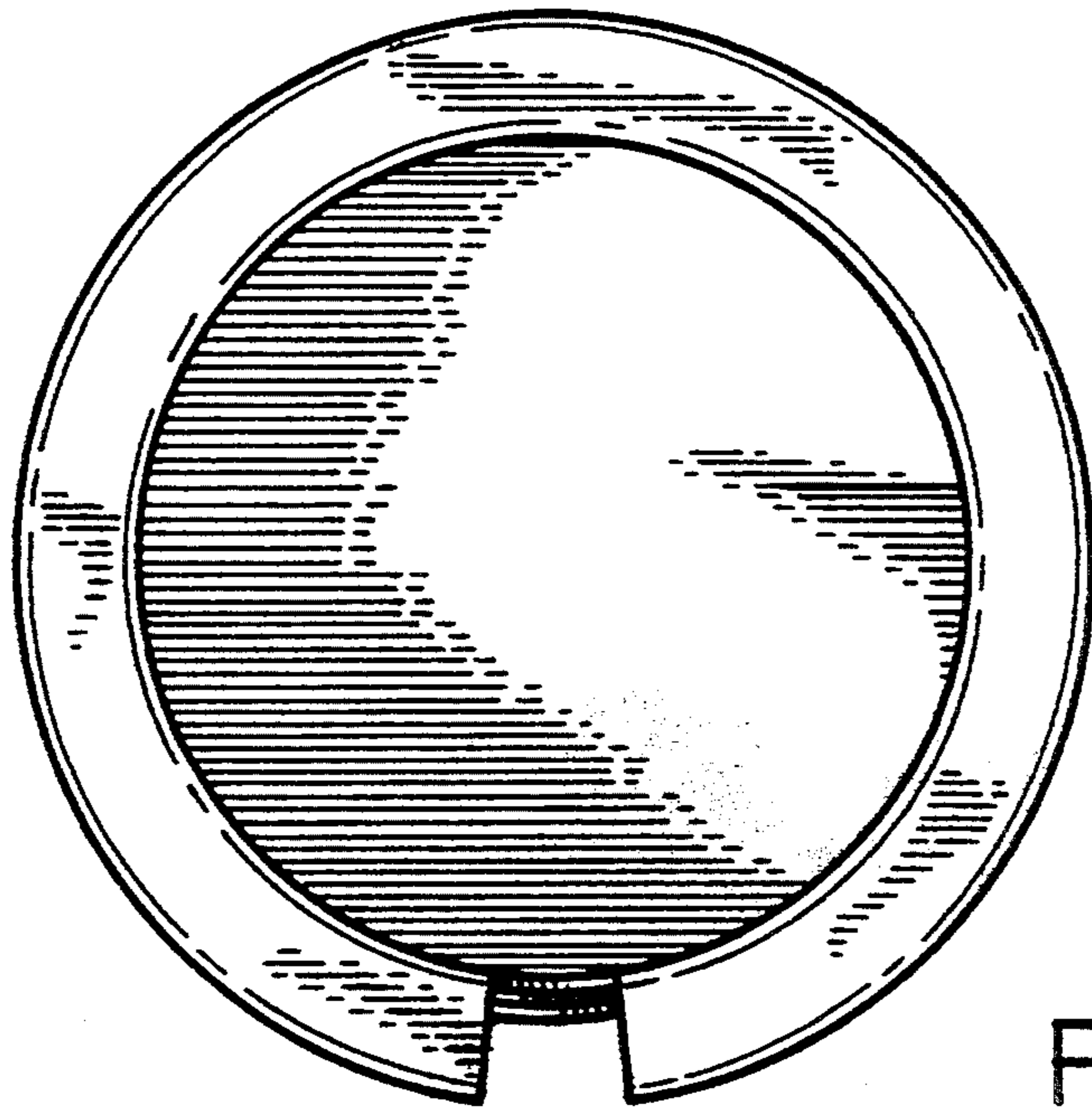


FIG. 5

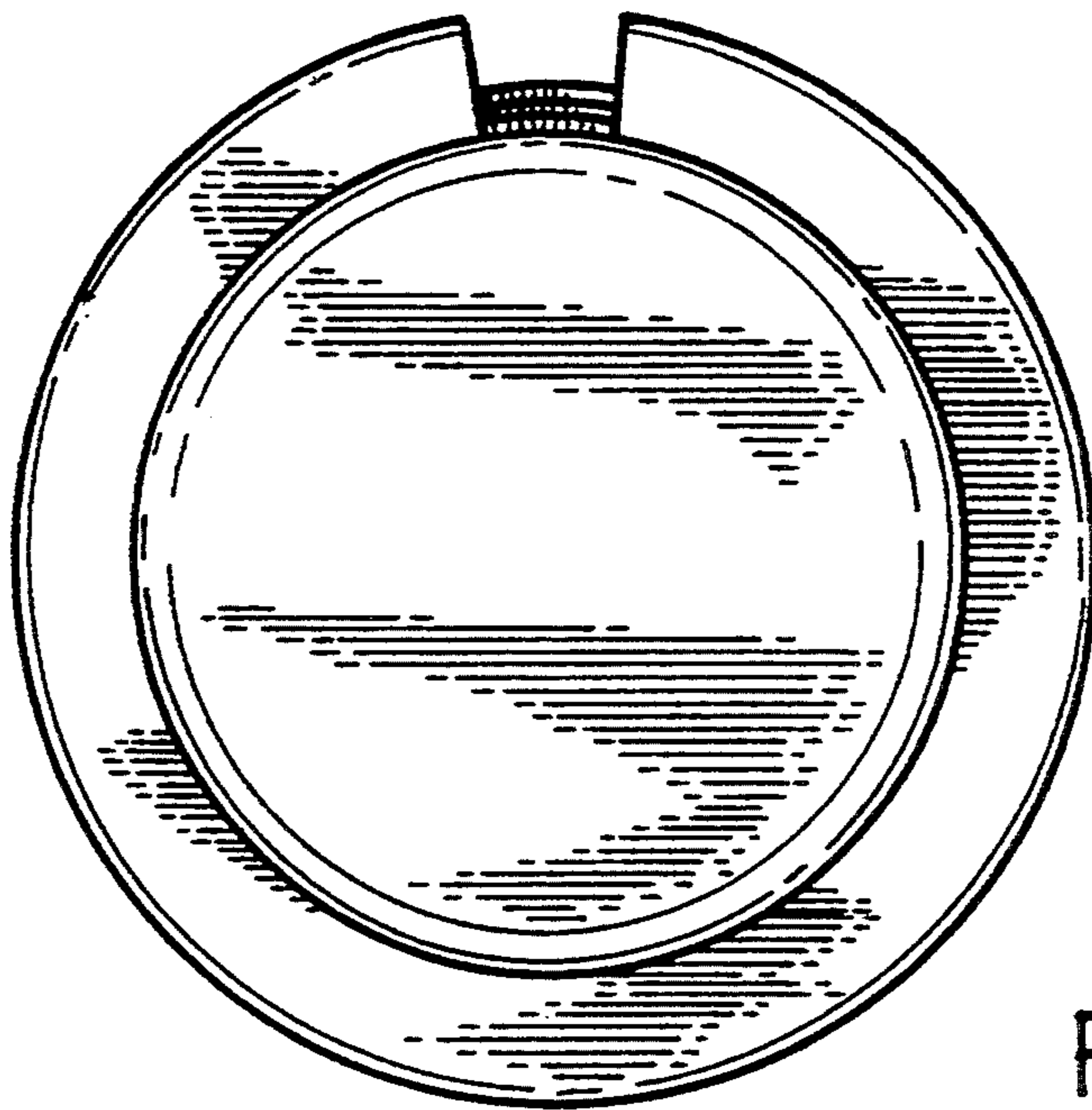


FIG. 6