



US00D360805S

# United States Patent [19]

[11] Patent Number: **Des. 360,805**

Friedman

[45] Date of Patent: **\*\* Aug. 1, 1995**

[54] **GOLF-BAG SHAPED WATER/BEVERAGE CONTAINER**

D. 327,422	6/1992	Caing .....	D9/307
D. 327,848	7/1992	Hanover .....	D7/300.2 X
D. 328,688	8/1992	Palmer et al. ....	D7/511
4,508,235	4/1985	Steele et al. ....	D7/510 X

[76] Inventor: **Dov Friedman**, 6233 N. Ridgeway, Chicago, Ill. 60659

*Primary Examiner*—Alan P. Douglas  
*Assistant Examiner*—M. N. Pandozzi  
*Attorney, Agent, or Firm*—Milton S. Gerstein

[\*\*] Term: **14 Years**

[21] Appl. No.: **24,452**

[57] **CLAIM**

[22] Filed: **Jun. 13, 1994**

The ornamental design for a golf-bag shaped water/-beverage container, as shown and described.

**Related U.S. Application Data**

**DESCRIPTION**

[63] Continuation-in-part of Ser. No. 111, Oct. 2, 1992, Pat. No. Des. 347,968.

[52] U.S. Cl. .... **D7/515; D7/302; D7/623**

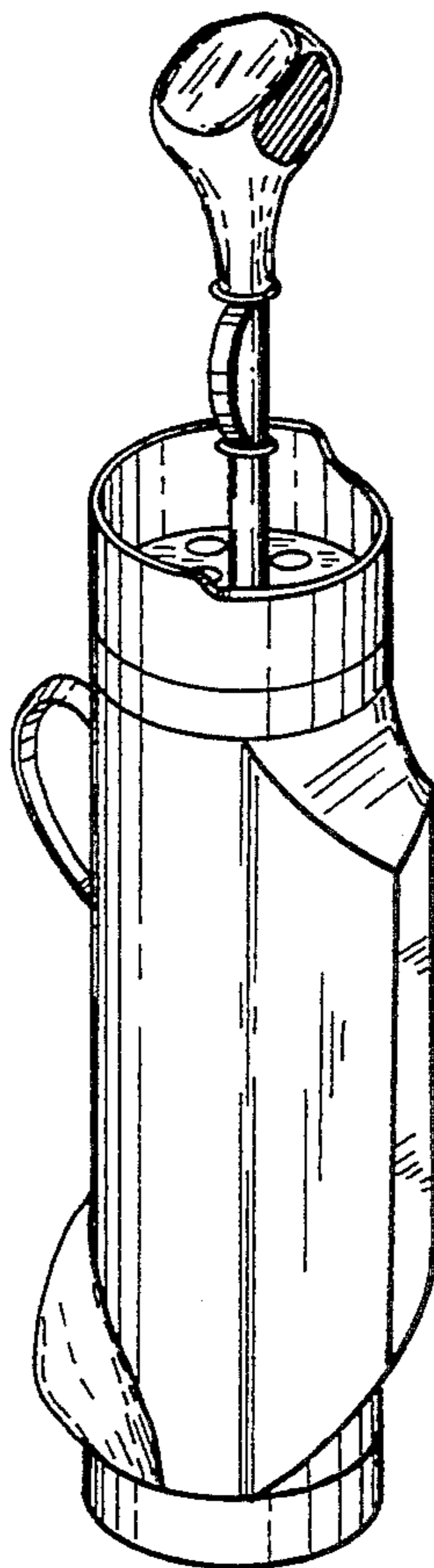
[58] Field of Search ..... **D7/515, 514, 510, 302, D7/560, 509, 507, 511, 533, 300.2, 302, 301, 604, 623; D9/307**

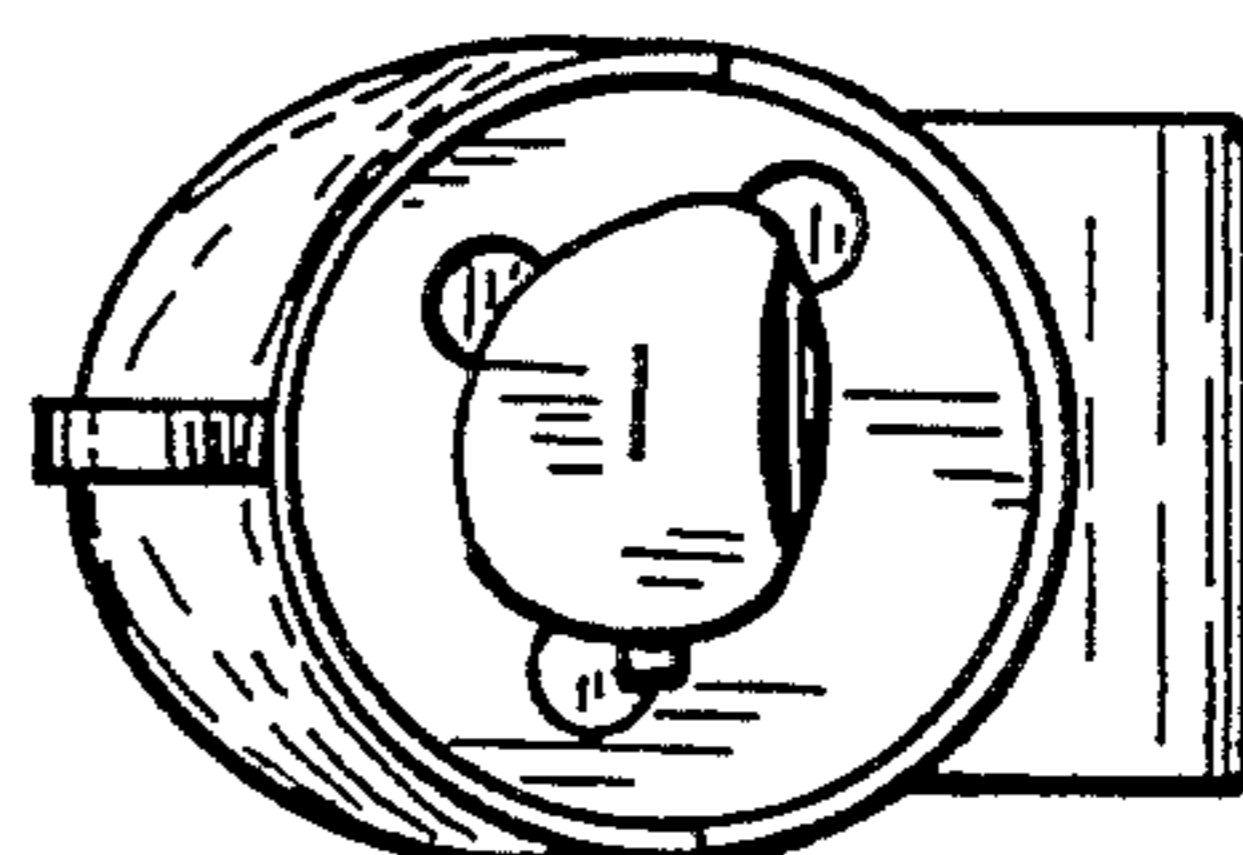
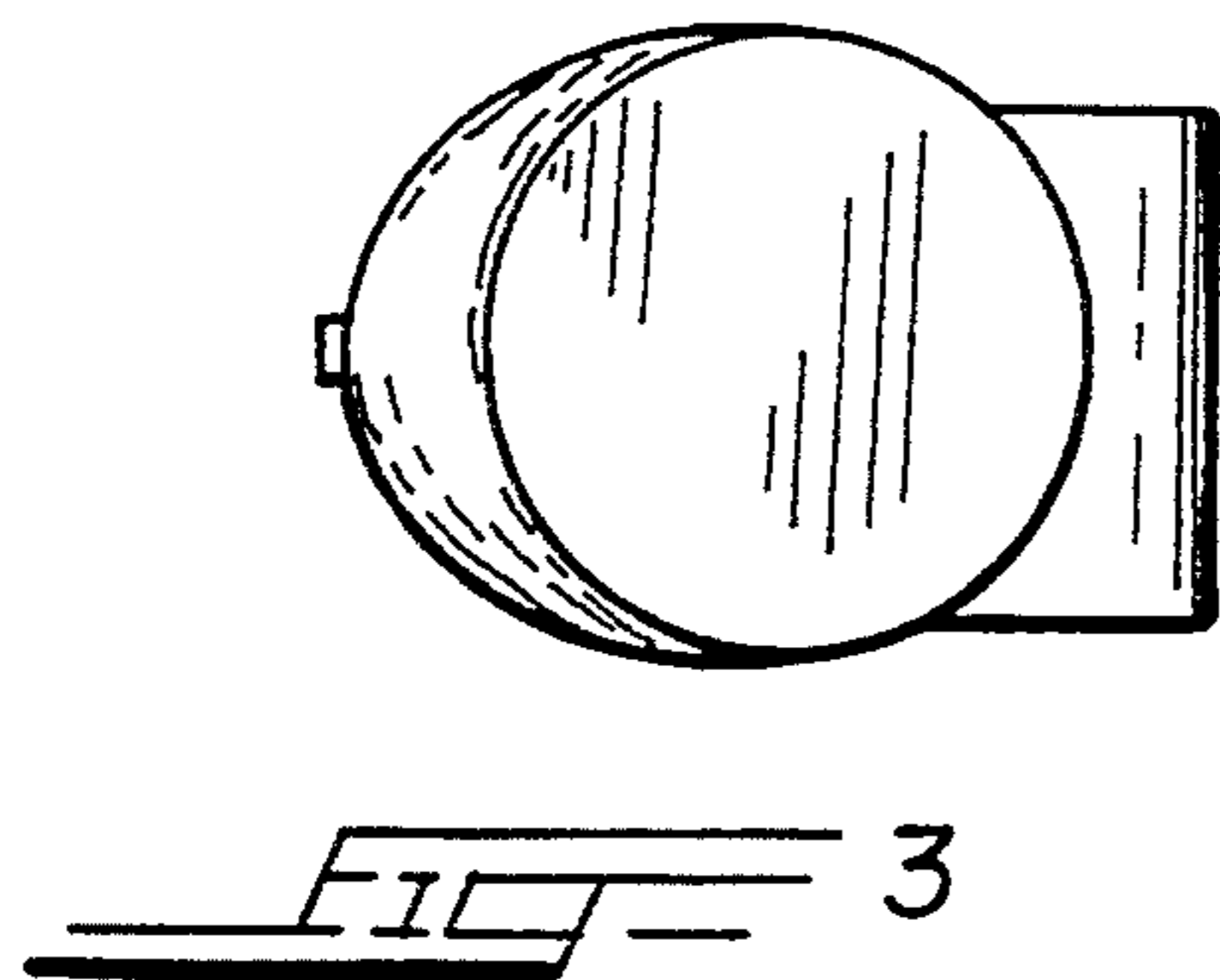
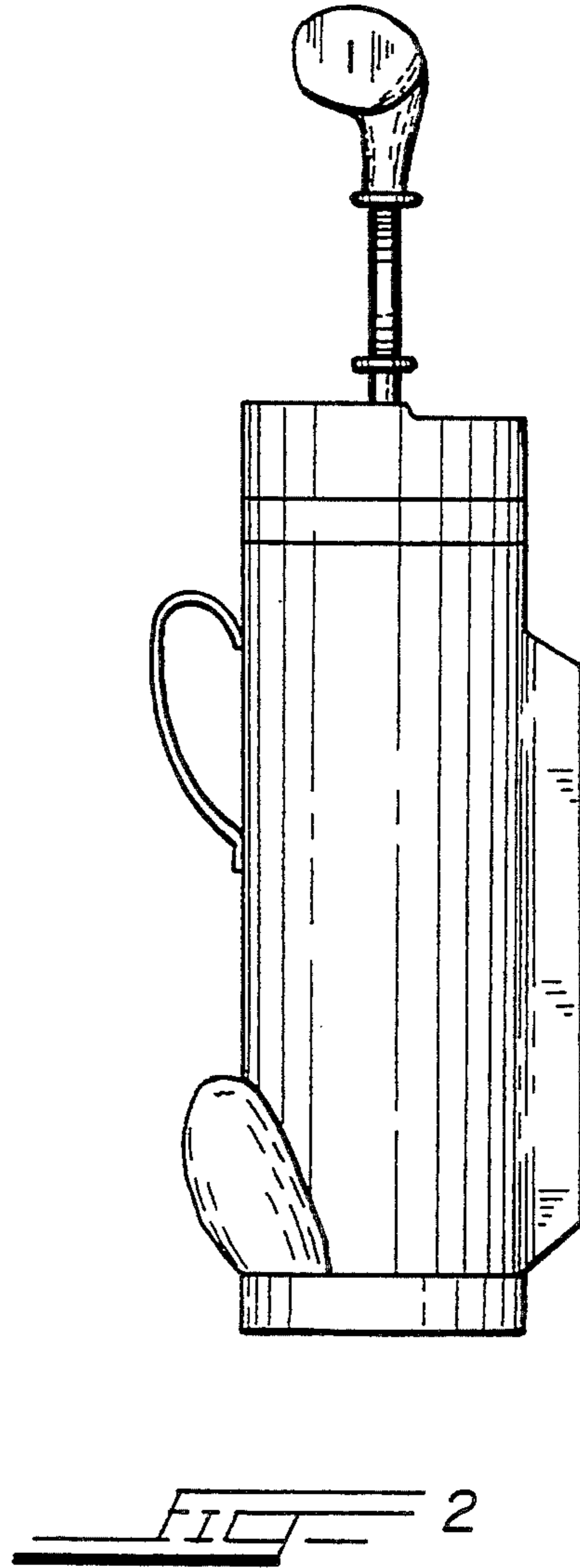
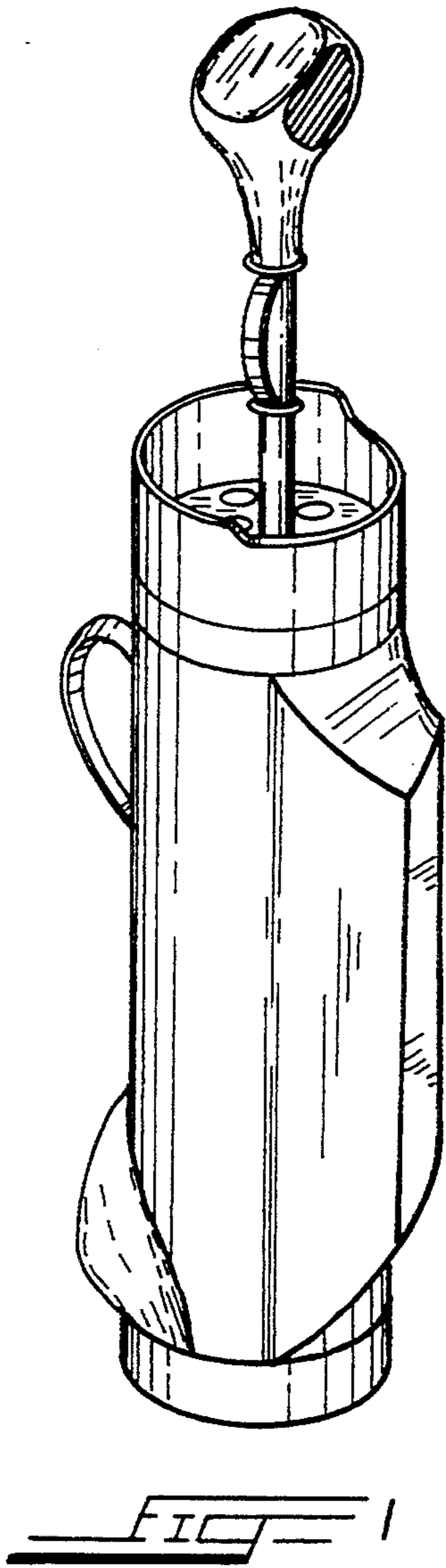
FIG. 1 is an isometric view of the golf-bag shaped water/beverage container showing a first embodiment of my new design;  
 FIG. 2 is a side elevational view thereof;  
 FIG. 3 is a bottom plan view of both embodiments;  
 FIG. 4 is a top view thereof;  
 FIG. 5 is a front elevational view thereof;  
 FIG. 6 is a rear elevational view thereof;  
 FIG. 7 is an isometric view that with the golf-club head cap in an alternate position;  
 FIG. 8 is an isometric view of the golf-bag shaped water/beverage container showing a modification of the first embodiment of FIG. 1;  
 FIG. 9 is a rear elevational view thereof;  
 FIG. 10 is a top view thereof; and,  
 FIG. 11 is front elevational view thereof.

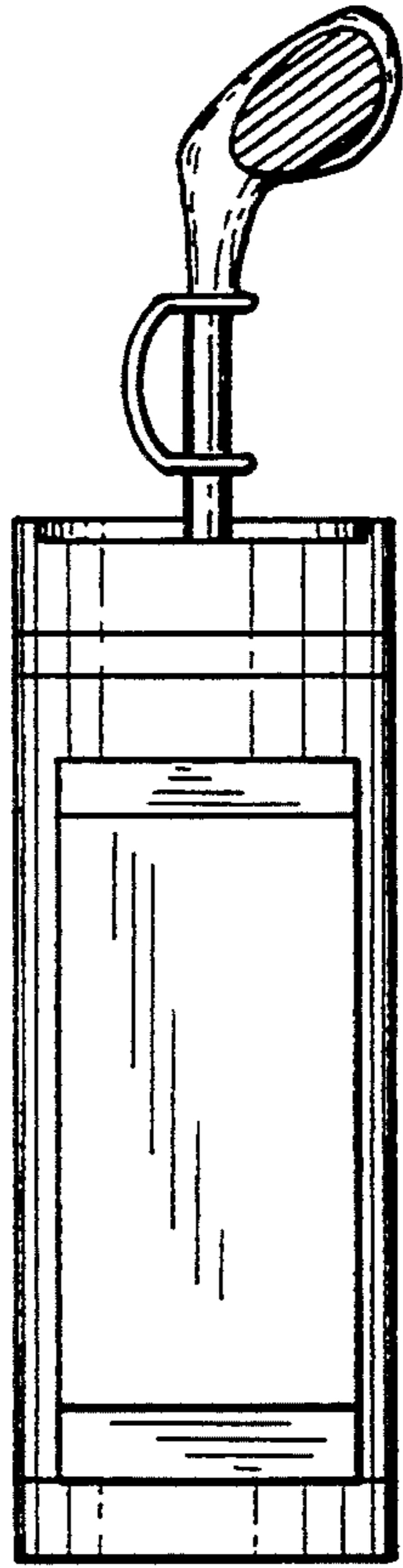
[56] **References Cited**

**U.S. PATENT DOCUMENTS**

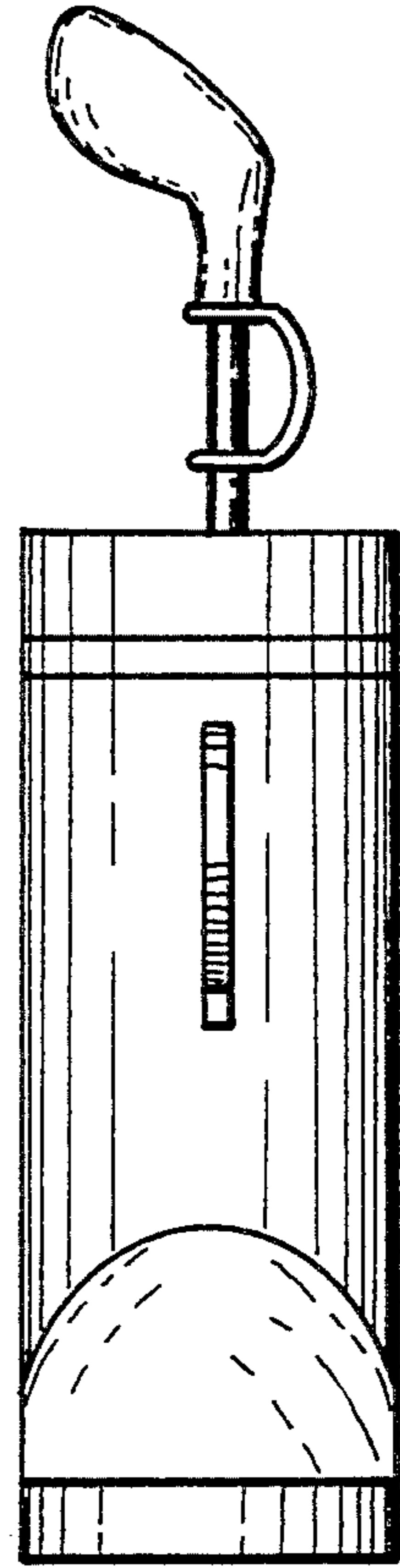
D. 126,813	4/1941	Karoff .....	D9/307
D. 168,899	2/1953	Lewis et al. ....	D9/307
D. 187,401	3/1960	Whittle .....	D9/307
D. 234,181	1/1975	Haswell .....	D7/623
D. 301,425	6/1989	Persson .....	D7/511
D. 313,534	1/1991	Stadtmueller .....	D7/515
D. 321,457	11/1991	Kahl .....	D7/510



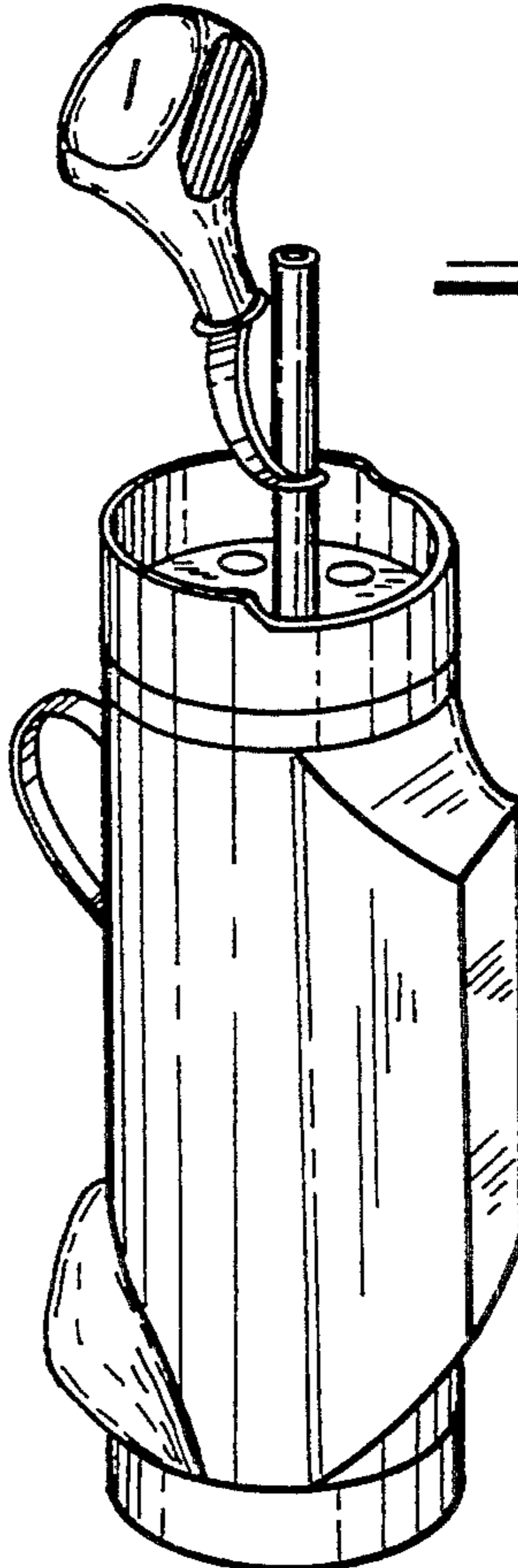




5



6



7

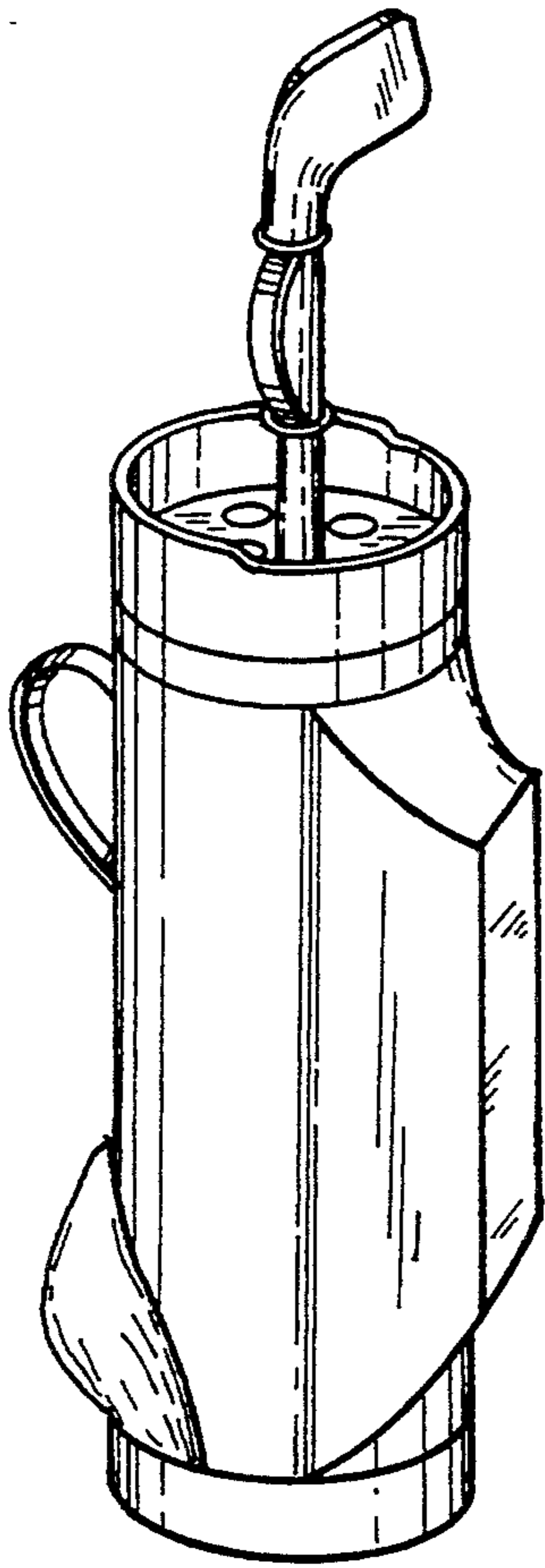


FIG. 8

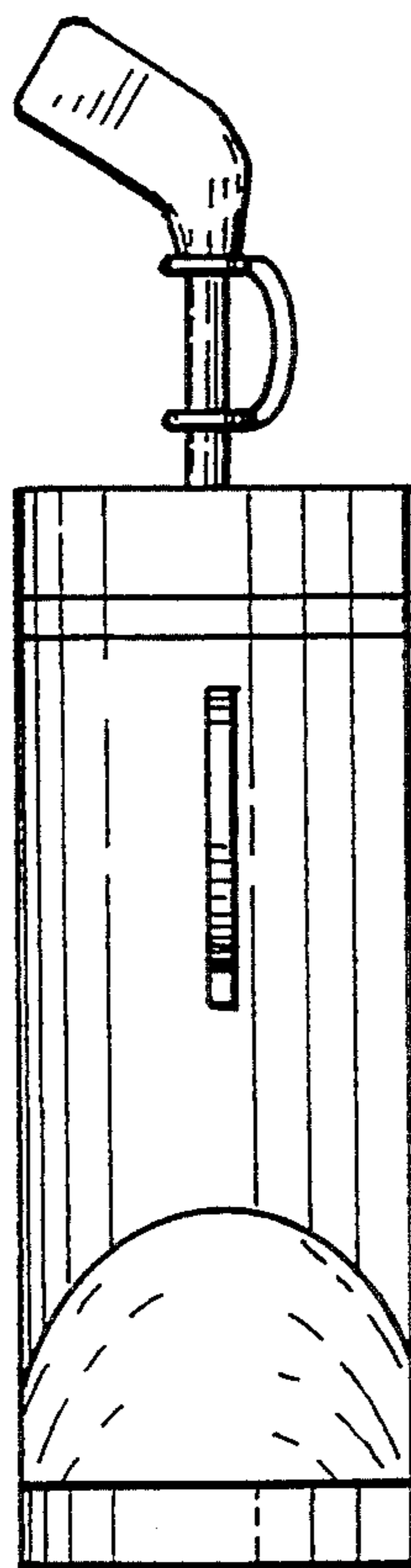


FIG. 9

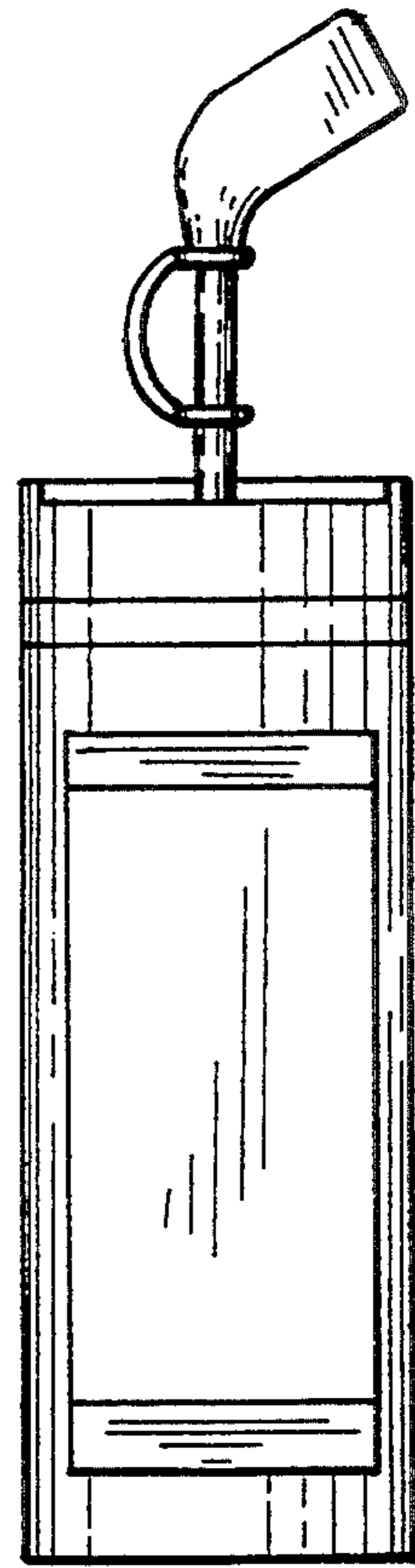


FIG. 11

FIG. 10

