



US00D360802S

United States Patent [19]

[11] Patent Number: **Des. 360,802**

Seiffert

[45] Date of Patent: **** Aug. 1, 1995**

[54] **ELECTRIC ESPRESSO MAKER**

D. 344,206 2/1994 Azpiri D7/309
4,852,474 8/1989 Mahlich et al. D7/309 X

[75] Inventor: **Florian Seiffert, Wiesbaden, Germany**

OTHER PUBLICATIONS

[73] Assignee: **Robert Krups GmbH & Co. KG, Solingen, Germany**

Espresso-Cappucino Machine By Rowoco HFD Jun. 30, 1980 p. 54.
Espresso Machine, HFD Mar. 19, 1984, p. 52.

[**] Term: **14 Years**

Primary Examiner—Alan P. Douglas
Assistant Examiner—M. N. Pandozzi
Attorney, Agent, or Firm—Young & Thompson

[21] Appl. No.: **9,333**

[22] Filed: **Jun. 11, 1993**

[52] U.S. Cl. **D7/309; D7/310; D7/311**

[57] **CLAIM**

[58] Field of Search **D7/300, 213, 304, 305, D7/306, 307, 308, 309, 310, 311, 312, 313; 99/279**

The ornamental design for an electric espresso maker, as shown.

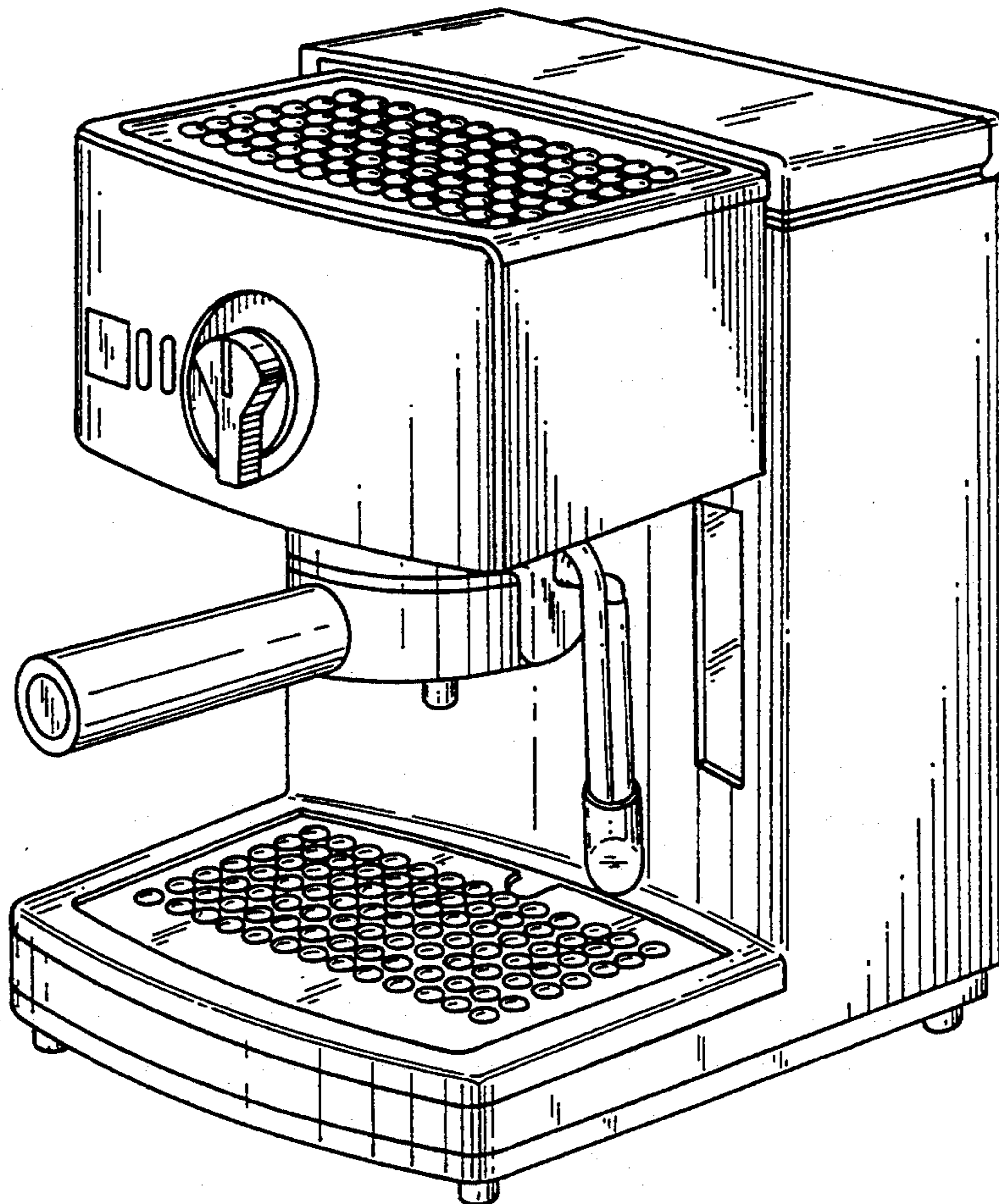
DESCRIPTION

[56] **References Cited**

U.S. PATENT DOCUMENTS

- D. 298,402 11/1988 Seiffert D7/310 X
- D. 323,949 2/1992 Kahlcke D7/309
- D. 324,621 3/1992 Hascacher D7/309
- D. 336,206 6/1993 Lihmann D7/309
- D. 337,475 7/1993 Seiffert D7/309
- D. 339,499 9/1993 Seiffert D7/311 X
- D. 340,381 10/1993 Mermiloid D7/309
- D. 342,860 1/1994 Azpiri D7/309

FIG. 1 is a top, front and side perspective view of an electric espresso maker showing my new design; FIG. 2 is a front elevational view thereof; FIG. 3 is a side elevational view thereof from the left of FIG. 2; FIG. 4 is a side elevational view thereof from the right of FIG. 2; FIG. 5 is a rear elevational view thereof; FIG. 6 is a top plan view thereof; and, FIG. 7 is a bottom plan view thereof.



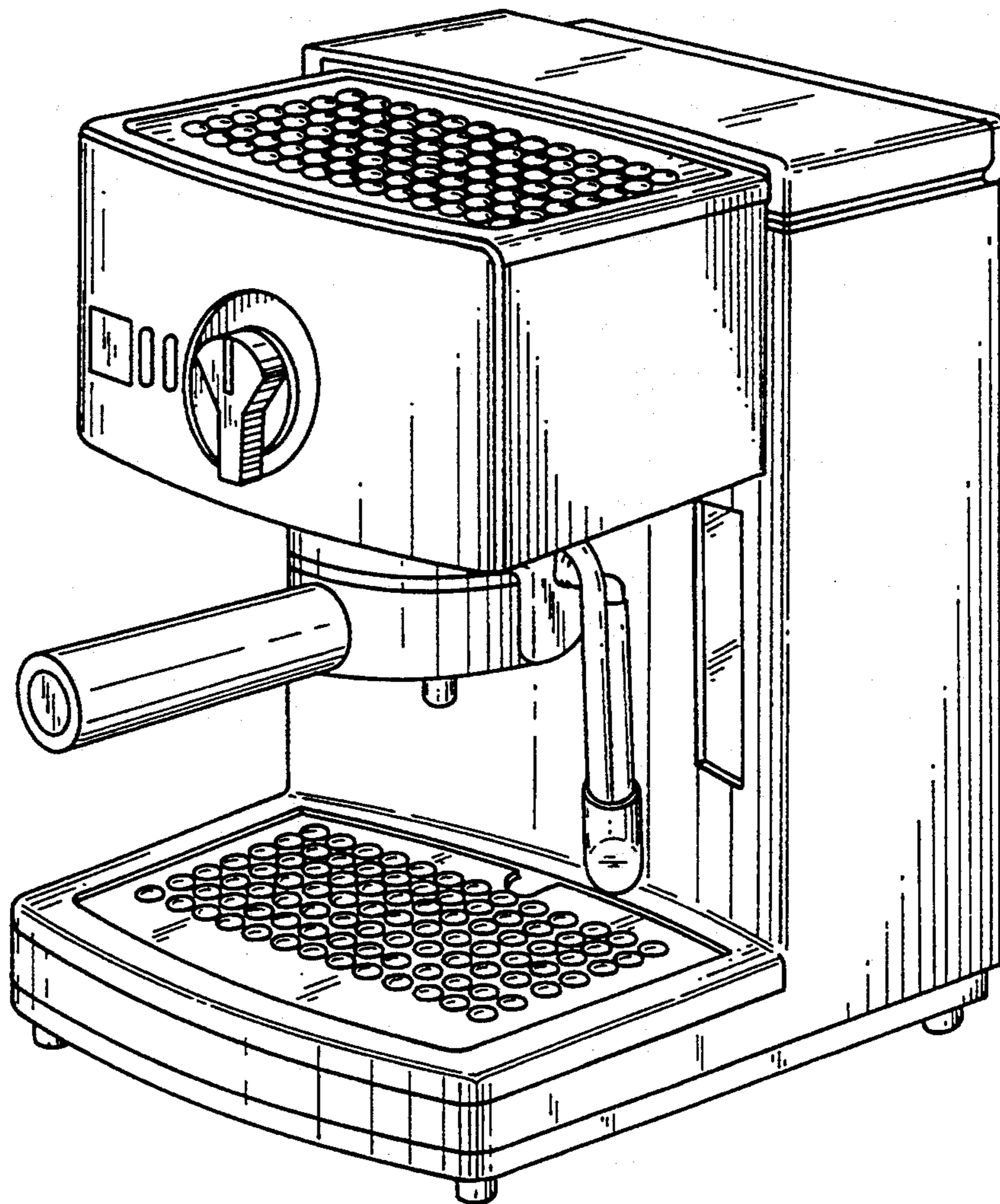


FIG. 1

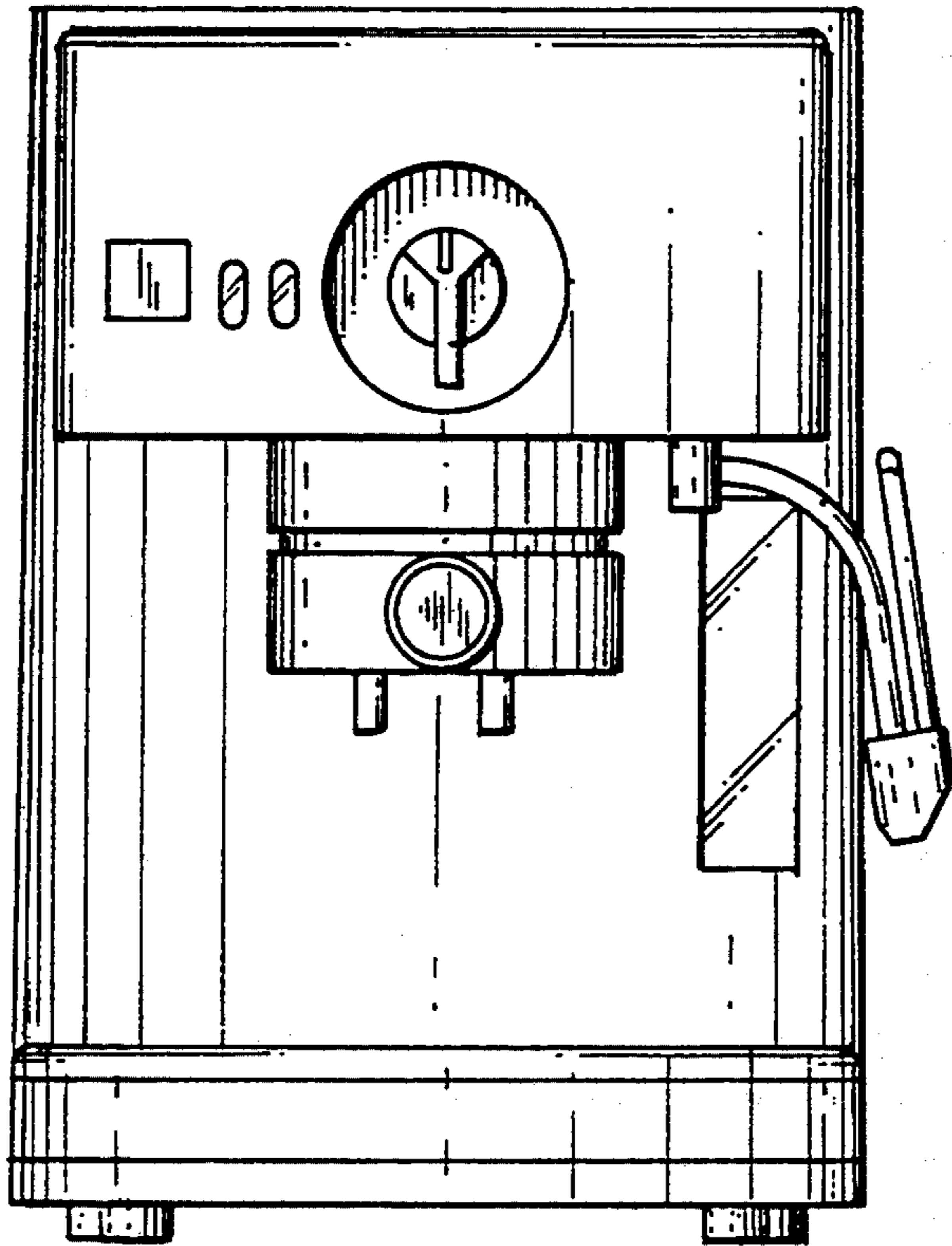
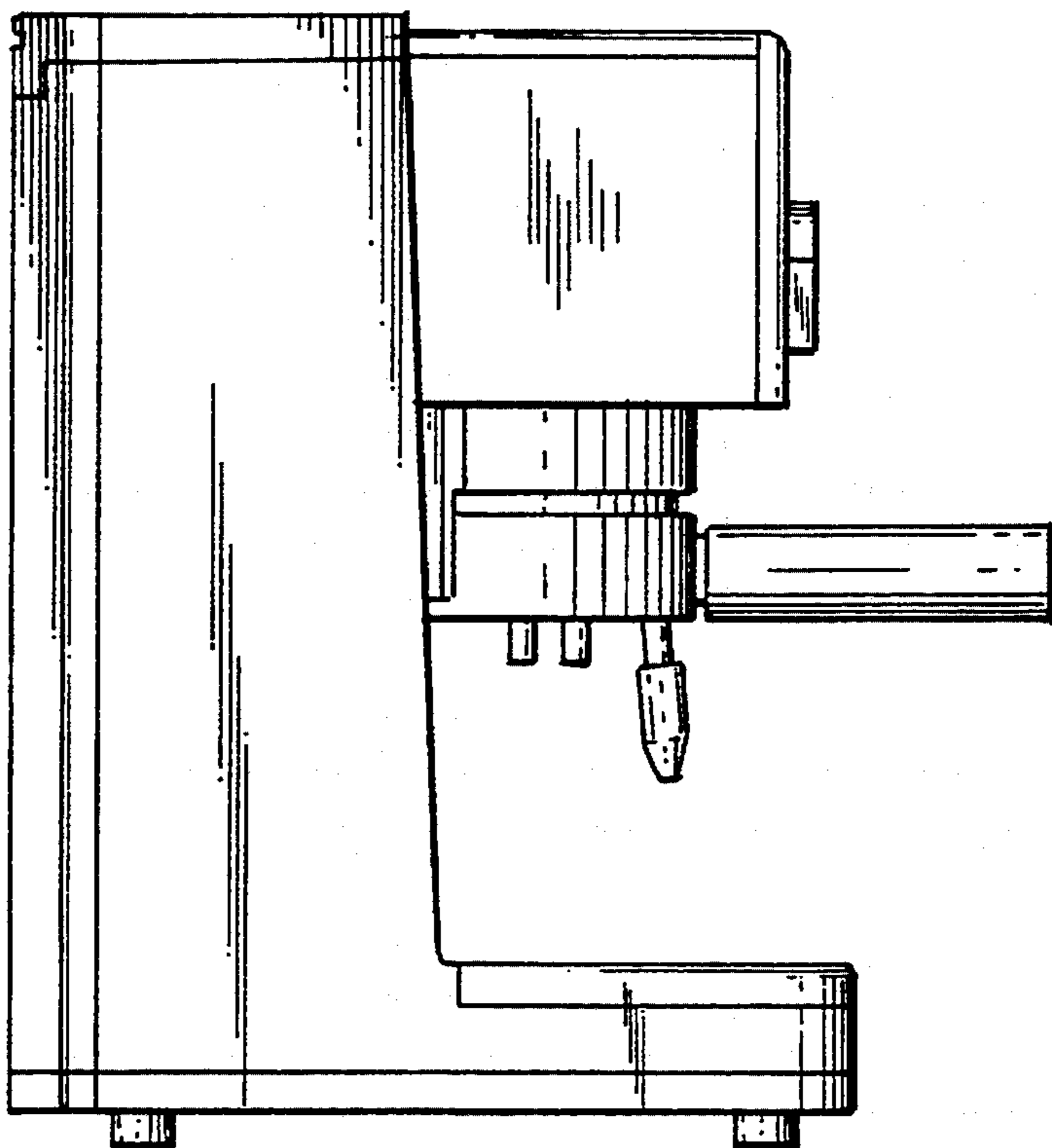


FIG. 2

FIG. 3



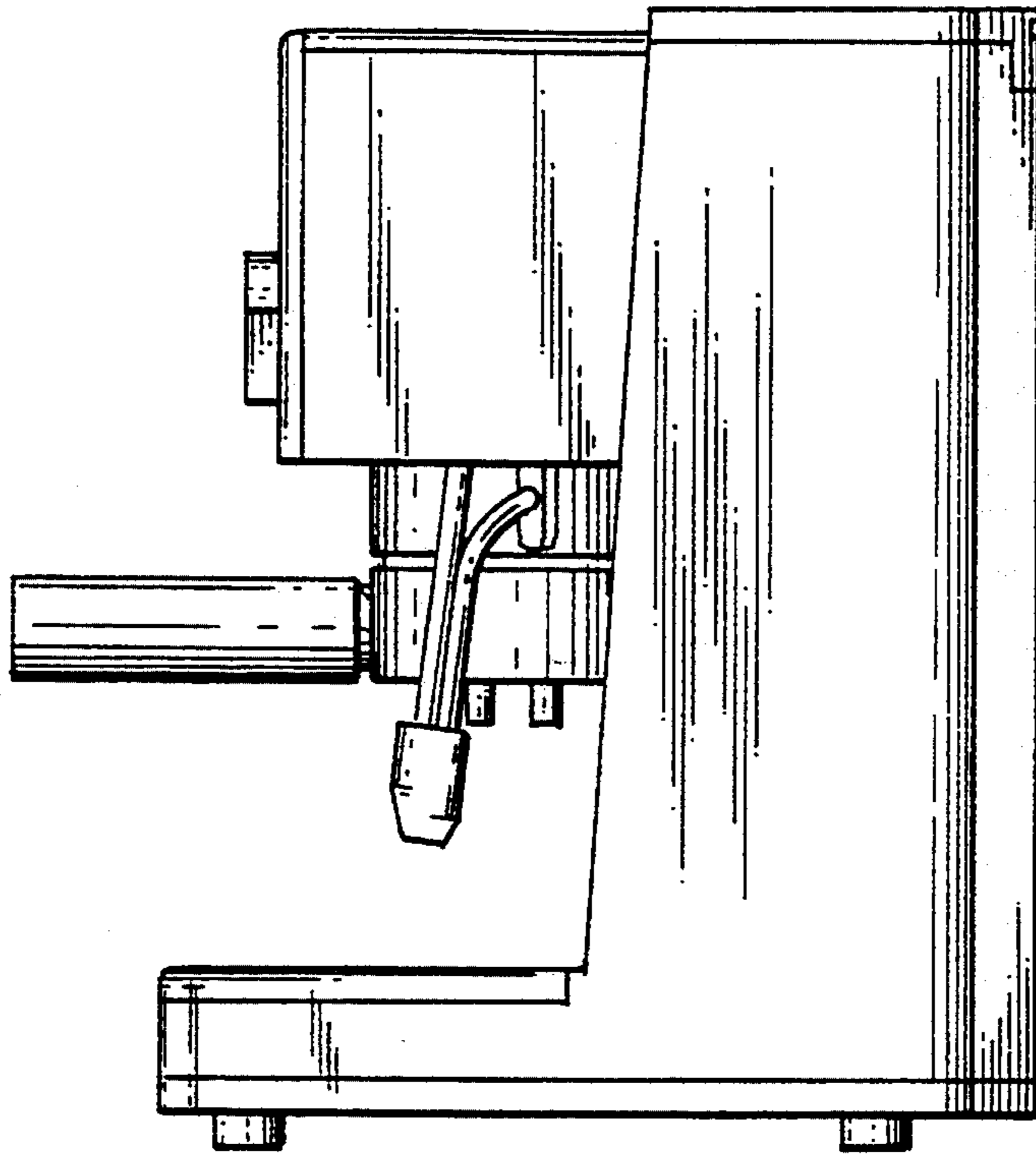
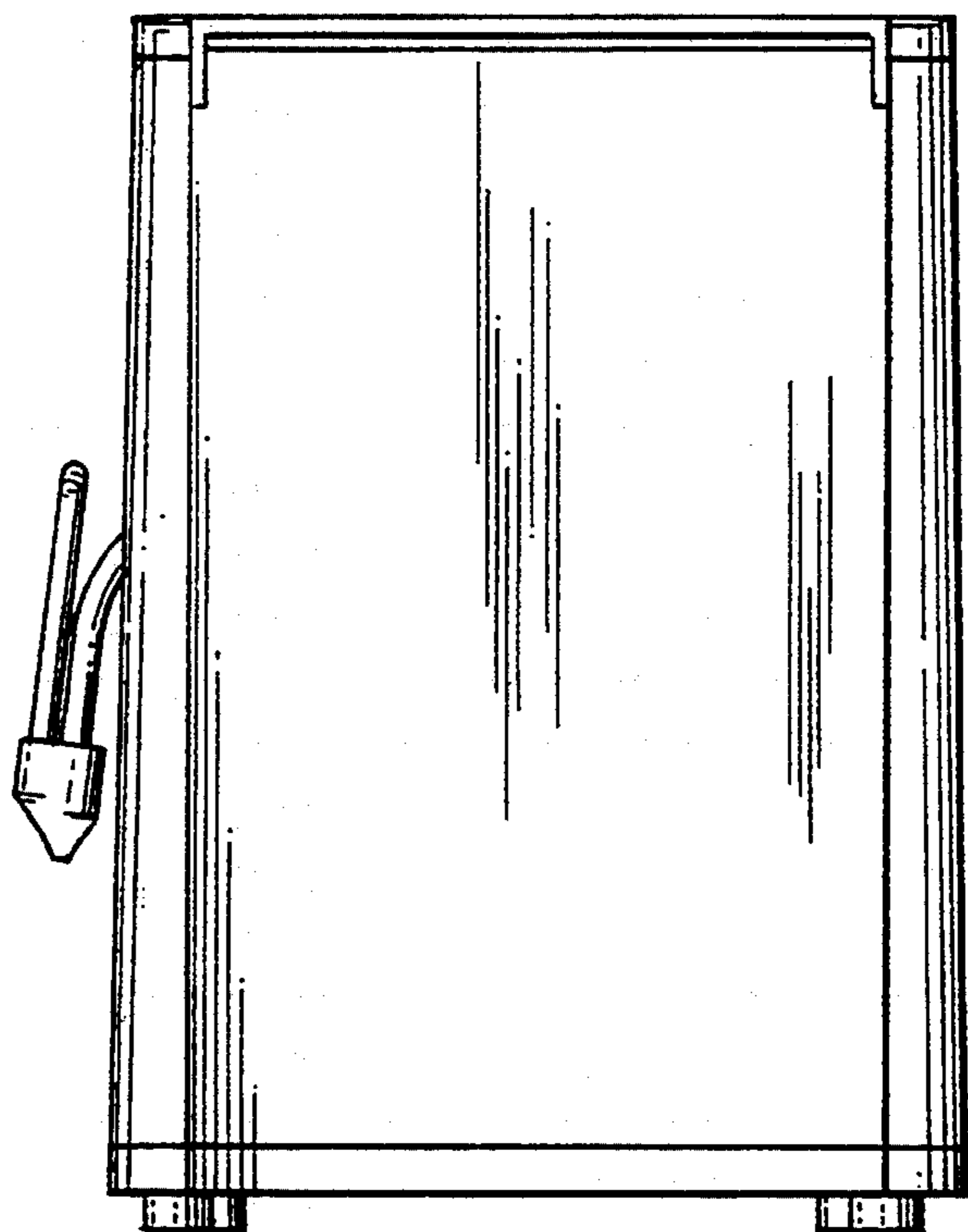


FIG. 4

FIG. 5



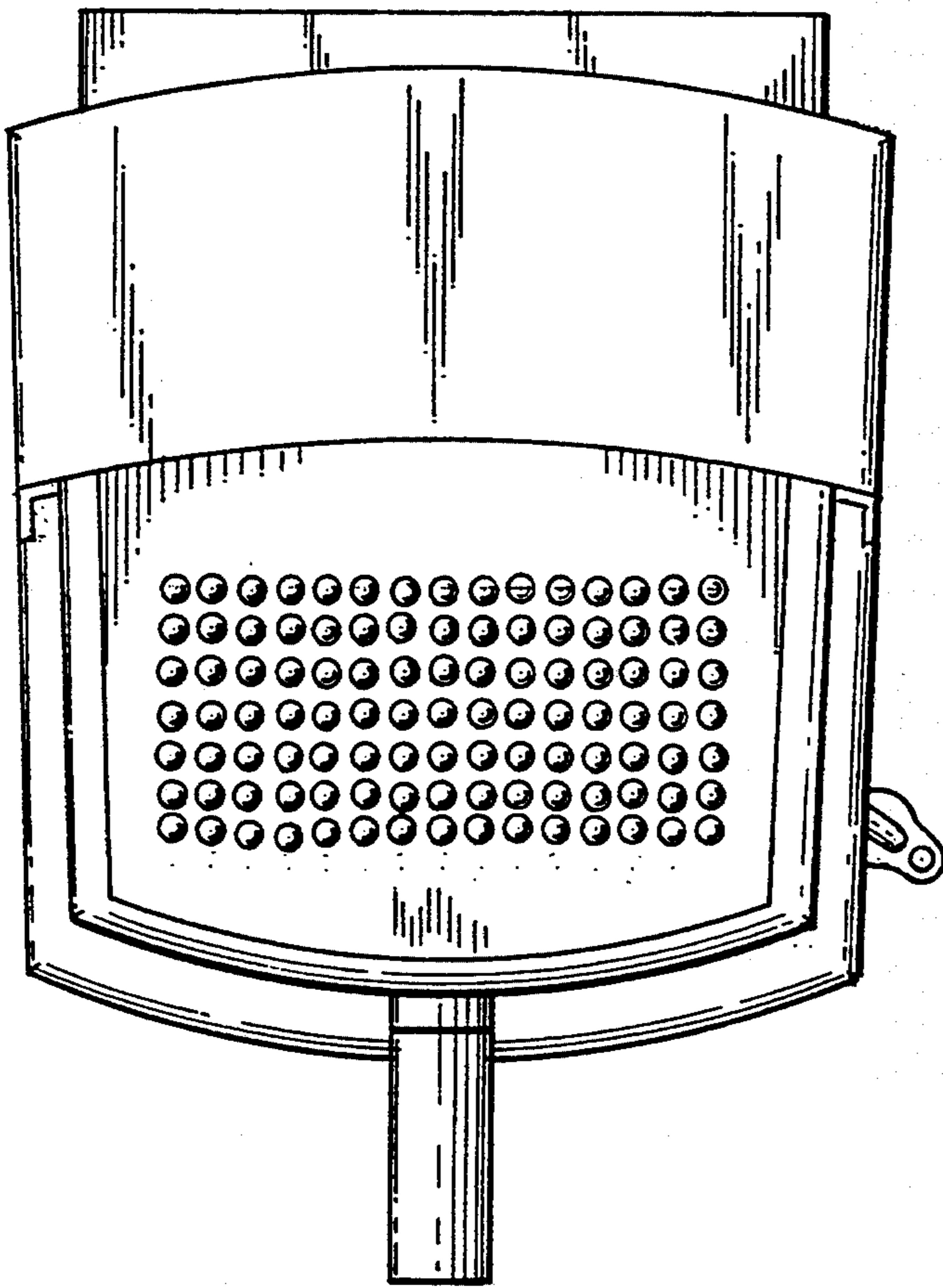
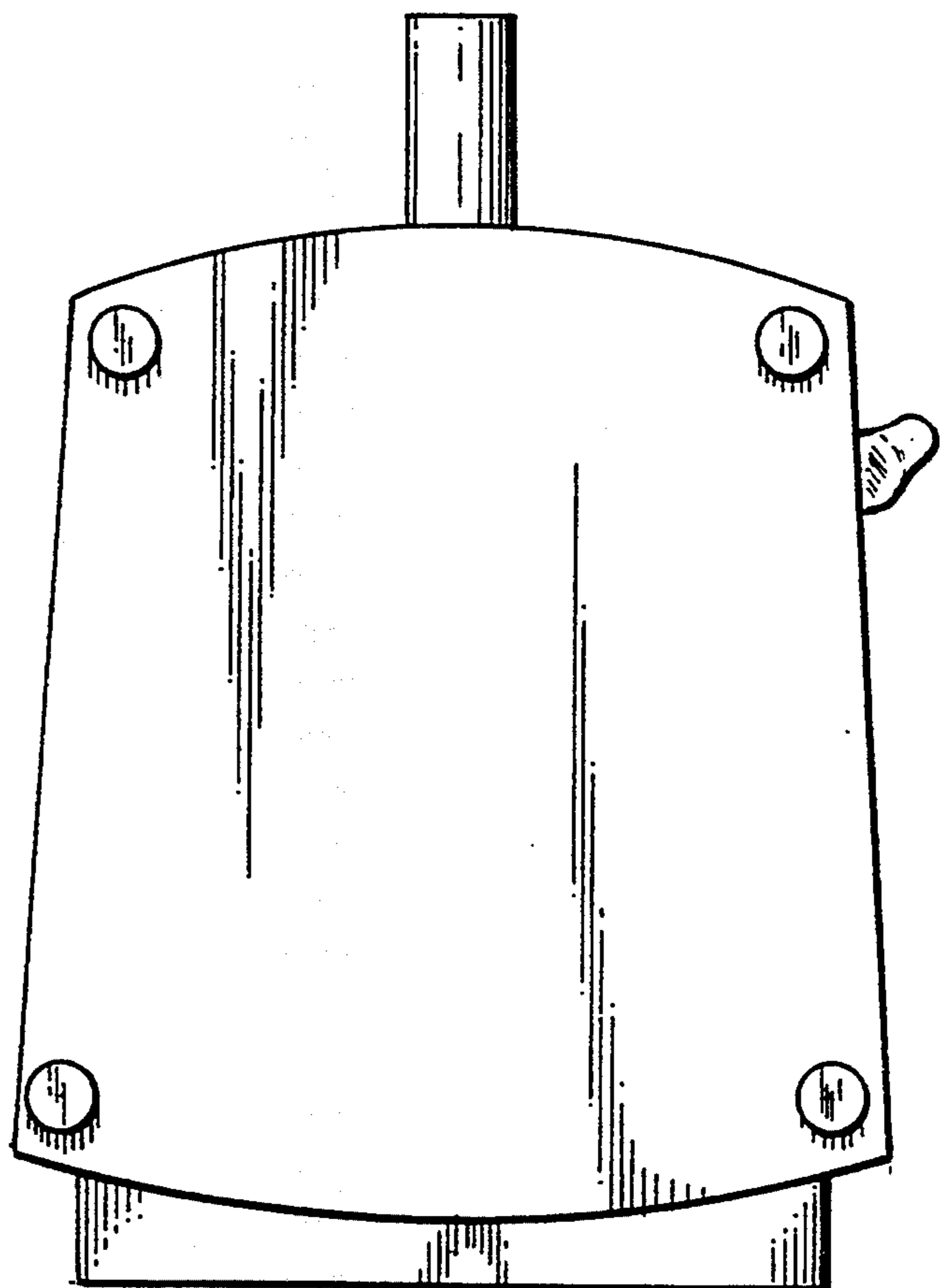


FIG. 6

FIG. 7



UNITED STATES PATENT AND TRADEMARK OFFICE
CERTIFICATE OF CORRECTION

PATENT NO. : Des. 360,802
DATED : August 1, 1995
INVENTOR(S) : Florian SEIFFERT

It is certified that error appears in the above—identified patent and that said Letters Patent is hereby corrected as shown below:

On the title page, between Items [22] and [52], insert the following:

-- [30] **Foreign Application Priority Data**

December 11, 1992 [FR] France 927,519--

Signed and Sealed this
Twenty-fourth Day of October, 1995

Attest:



BRUCE LEHMAN

Attesting Officer

Commissioner of Patents and Trademarks