



US00D360792S

United States Patent [19]

[11] Patent Number: **Des. 360,792**

Sharpe

[45] Date of Patent: **** Aug. 1, 1995**

- [54] TOWEL RING
- [75] Inventor: Norton Sharpe, Los Angeles, Calif.
- [73] Assignee: Franklin Brass Manufacturing Company, Los Angeles, Calif.
- [**] Term: 14 Years
- [21] Appl. No.: 12,086
- [22] Filed: Aug. 23, 1993
- [52] U.S. Cl. D6/546
- [58] Field of Search D6/546-550;
211/16, 86-87, 123; 248/315

tion date believed to be Jan., 1992, pages entitled "Lexington," Georgetown, and Chesapeake. Catalogue entitled "Baltic" by Farnet. Believed published prior to Jul., 1992. Catalogue entitled "Chantal" by Farnet, Believed published prior to Jul., 1992. Catalogue entitled "Harrington Traditional," believed published prior to Jul., 1992. Catalogue entitled "Displays" by Ginger, Believed published prior to Jul., 1992.

Primary Examiner—Brian N. Vinson
Attorney, Agent, or Firm—Spensley Horn Jubas & Lubitz

[56] References Cited

U.S. PATENT DOCUMENTS

- | | | | |
|------------|---------|-------------------------|-----------|
| D. 259,754 | 7/1981 | Flesichmann et al. | D6/546 |
| D. 286,963 | 12/1986 | Waghorn | D6/549 |
| D. 296,175 | 6/1988 | Fayerman . | |
| D. 296,637 | 7/1988 | Fayerman . | |
| D. 299,096 | 12/1988 | Fayerman . | |
| D. 299,097 | 12/1988 | Fayerman . | |
| D. 299,098 | 12/1988 | Fayerman . | |
| D. 299,099 | 12/1988 | Gresens et al. | D6/550 |
| D. 303,333 | 9/1989 | Fayerman . | |
| D. 329,559 | 9/1992 | Paul | D6/546 |
| D. 349,208 | 8/1994 | Bollenbacher | D6/550 |
| 4,907,771 | 3/1990 | Wang | 248/251 X |

OTHER PUBLICATIONS

Baldwin Bath "Epic Accessories" Catalogue Georgetown Style fixtures, p. 3.
Catalogue of Baldwin Hardware Corporation, Publica-

[57] CLAIM

The ornamental design for a towel ring, as shown and described.

DESCRIPTION

FIG. 1 is a perspective view of a towel ring incorporating my new design;
FIG. 2 is a front elevational view of a towel ring of FIG. 1;
FIG. 3 is a right side elevational view of a towel ring of FIG. 1;
FIG. 4 is a top plan view of a towel ring of FIG. 1;
FIG. 5 is a bottom plan view of a towel ring of FIG. 1;
and,
FIG. 6 is a rear elevational view of a towel ring of FIG. 1.

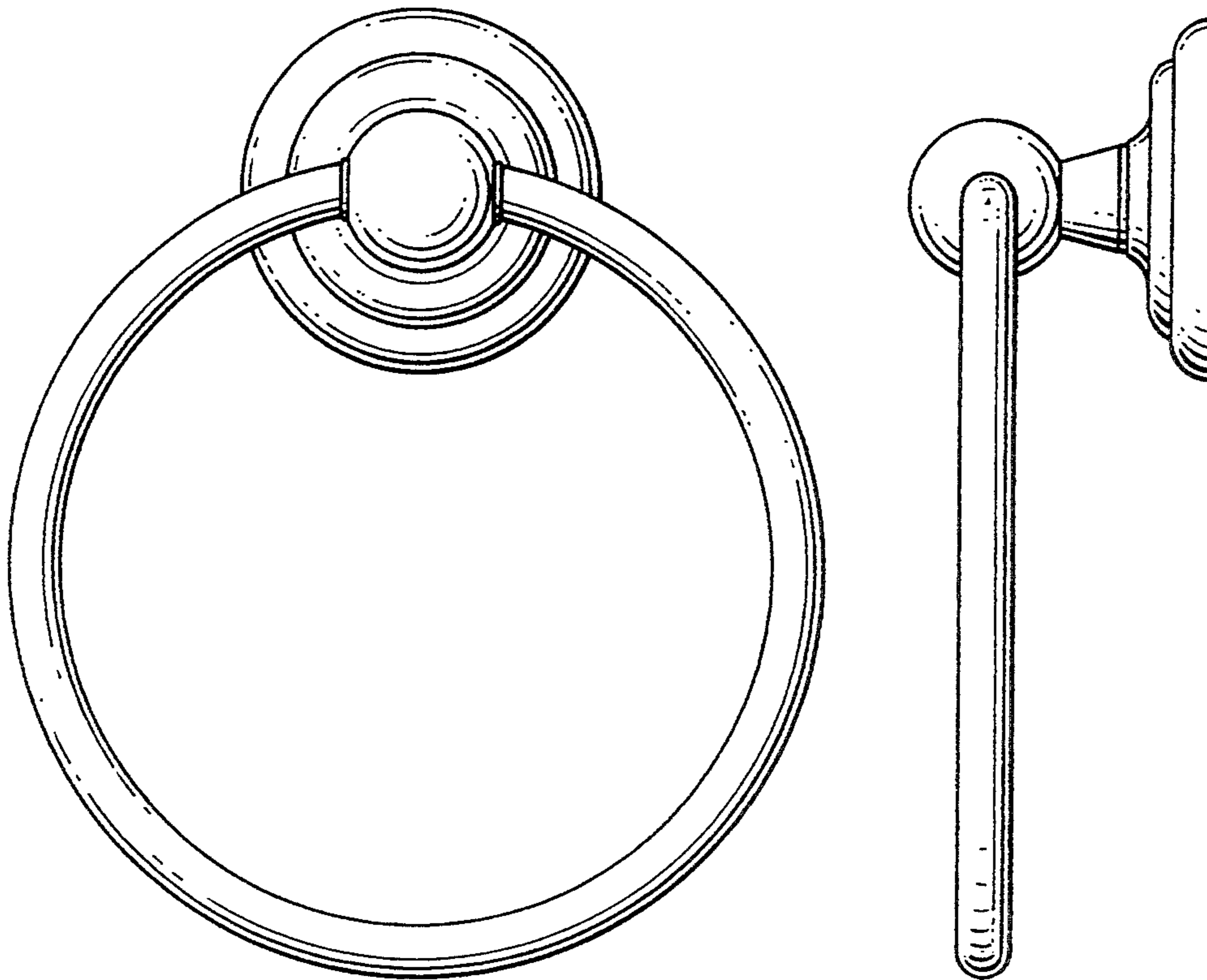


FIG. 1

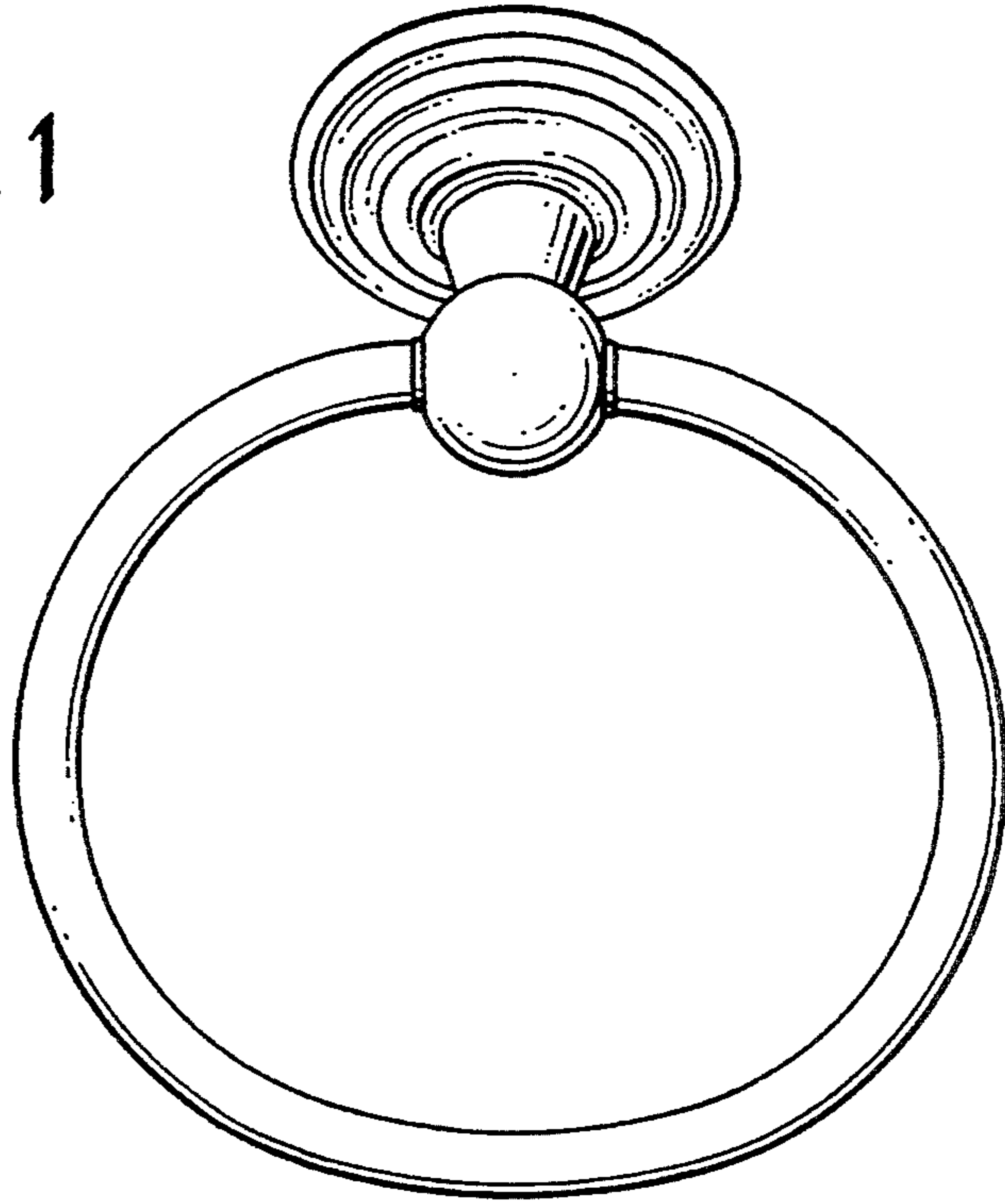


FIG. 2

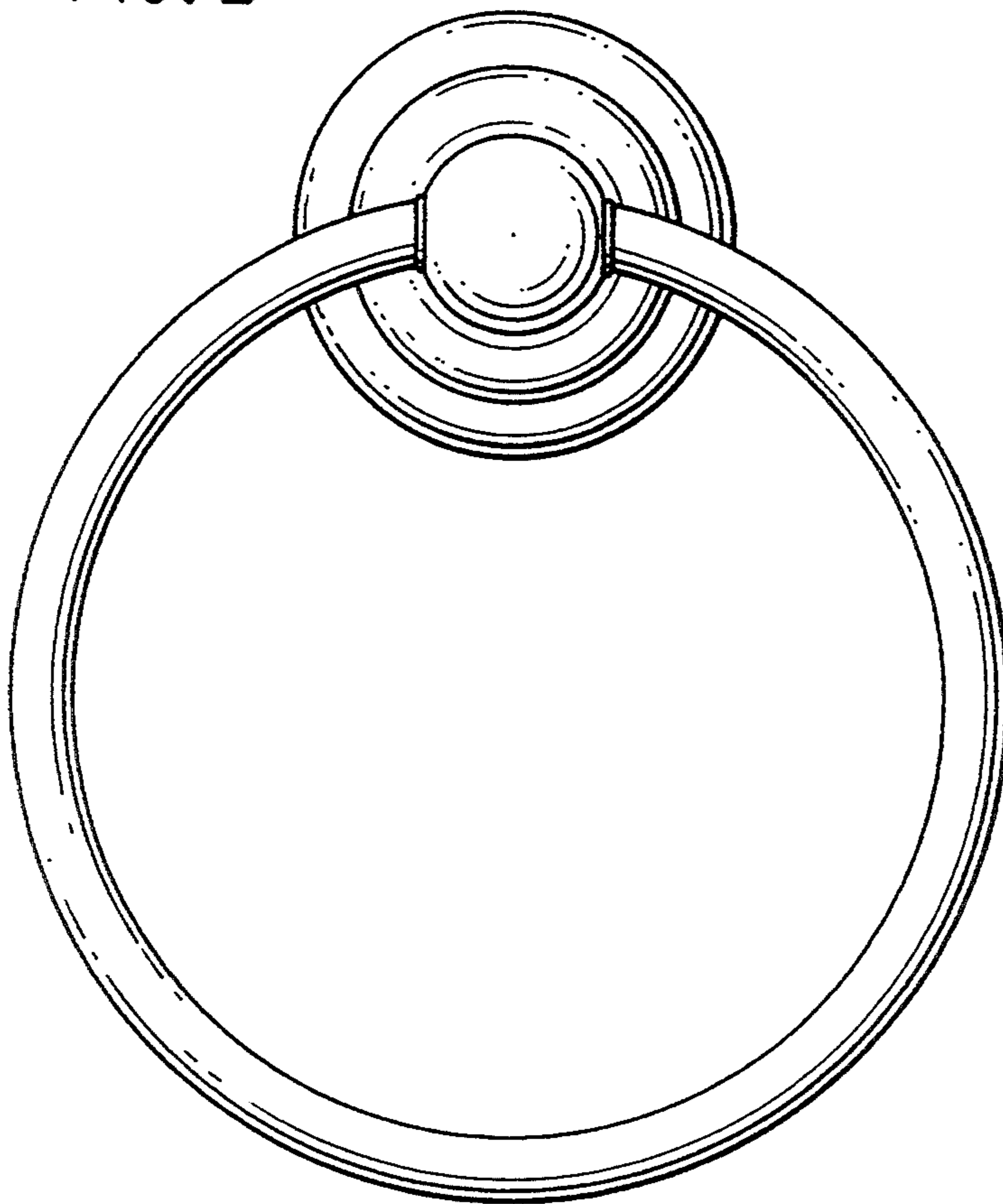


FIG. 3

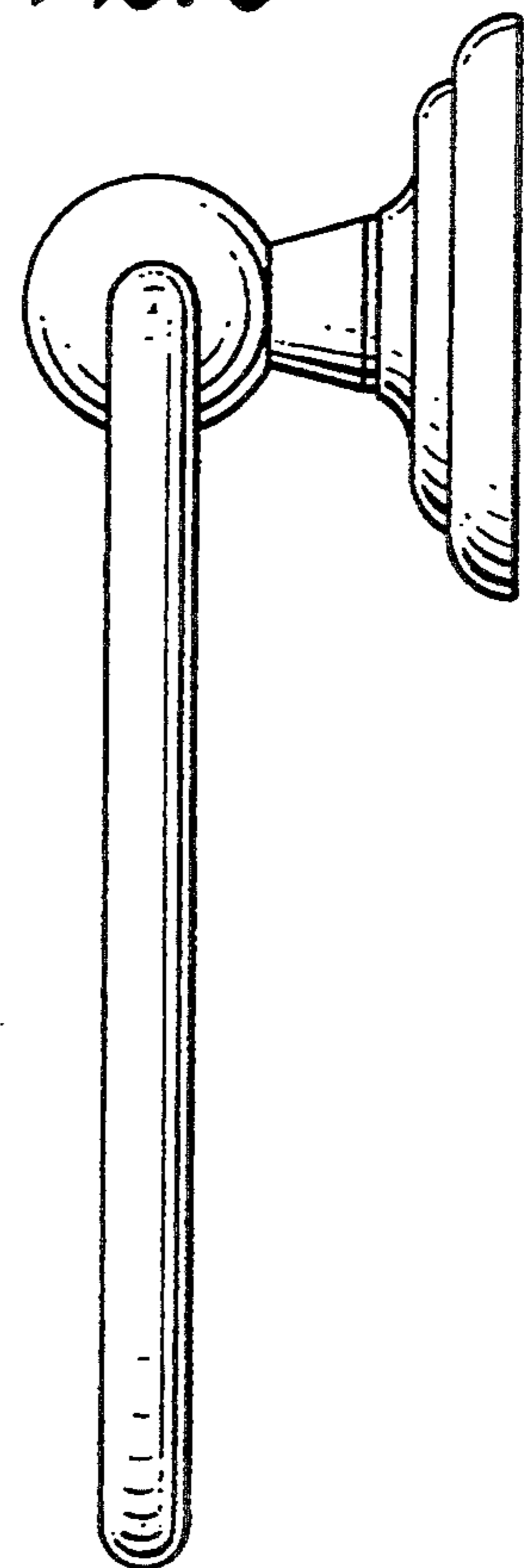


FIG. 4

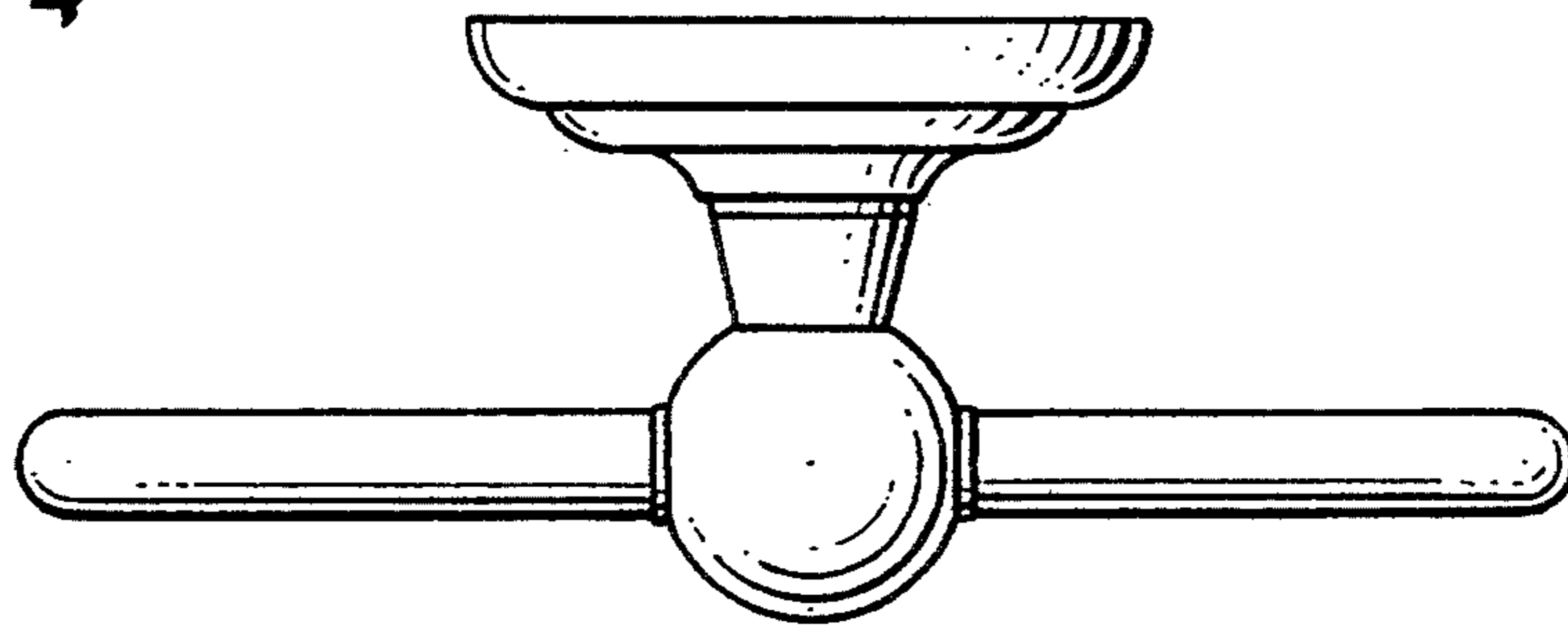


FIG. 5

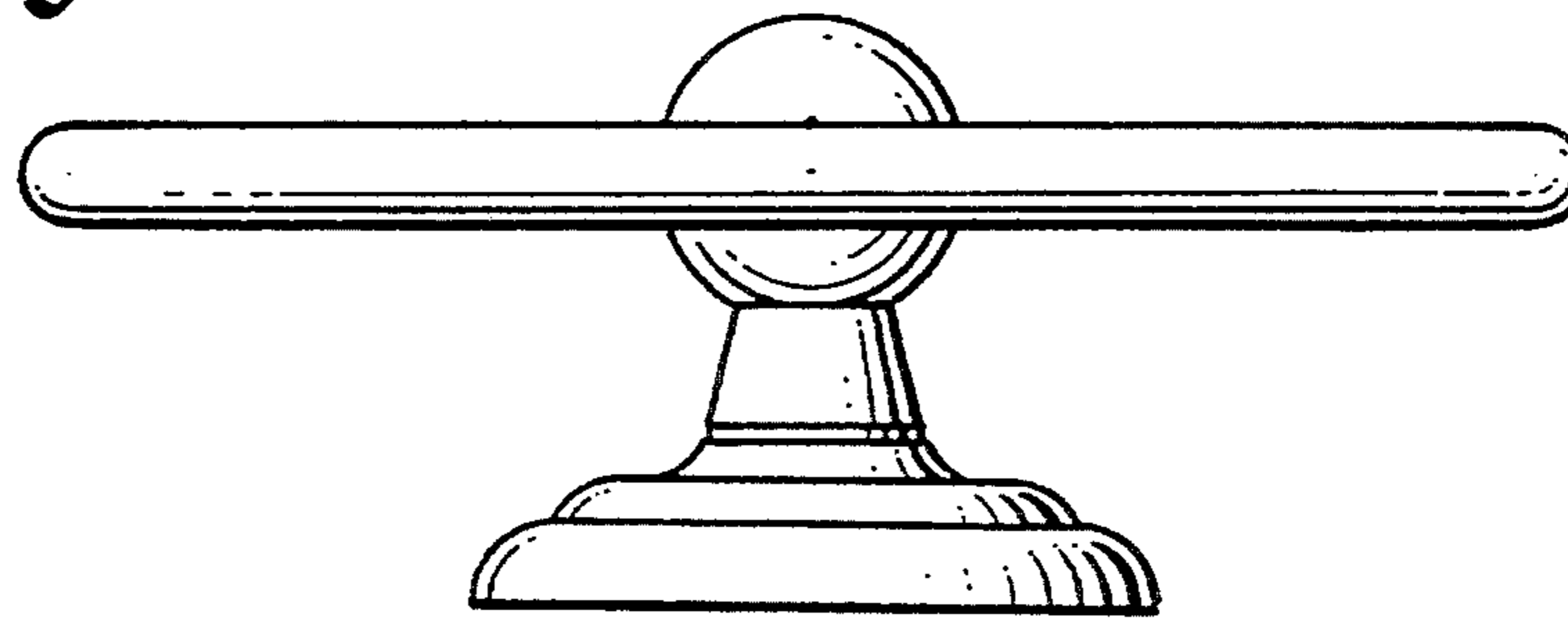


FIG. 6

