



US00D360791S

United States Patent [19]

[11] Patent Number: **Des. 360,791**

Andrasic et al.

[45] Date of Patent: **** Aug. 1, 1995**

[54] **TUBE KEY**

[75] Inventors: **Steven E. Andrasic**, Nashotah; **Paul J. Hytken**, Fox Point; **David A. Wierengo**, River Hills; **Craig S. Haralson**, Wauwatosa, all of Wis.

[73] Assignee: **Myro, Inc.**, Milwaukee, Wis.

[**] Term: **14 Years**

[21] Appl. No.: **18,241**

[22] Filed: **Jan. 31, 1994**

[52] U.S. Cl. **D6/541**

[58] Field of Search **D6/541; D8/348; 206/277; 222/95-96, 98, 99, 101, 103**

[56] **References Cited**

U.S. PATENT DOCUMENTS

- D. 206,857 2/1967 Dalton D6/541
- D. 303,892 10/1989 Parker D6/541
- D. 319,161 8/1991 Giannotti D6/541

- D. 325,688 4/1992 Schreib D8/14
- 1,894,152 1/1933 Bolz D6/541 X
- 2,656,065 10/1953 Breeze .
- 4,352,441 10/1982 Rosenlind et al. 222/99
- 4,778,082 10/1988 Vitelle 222/95
- 5,178,301 1/1993 McGanty 222/99

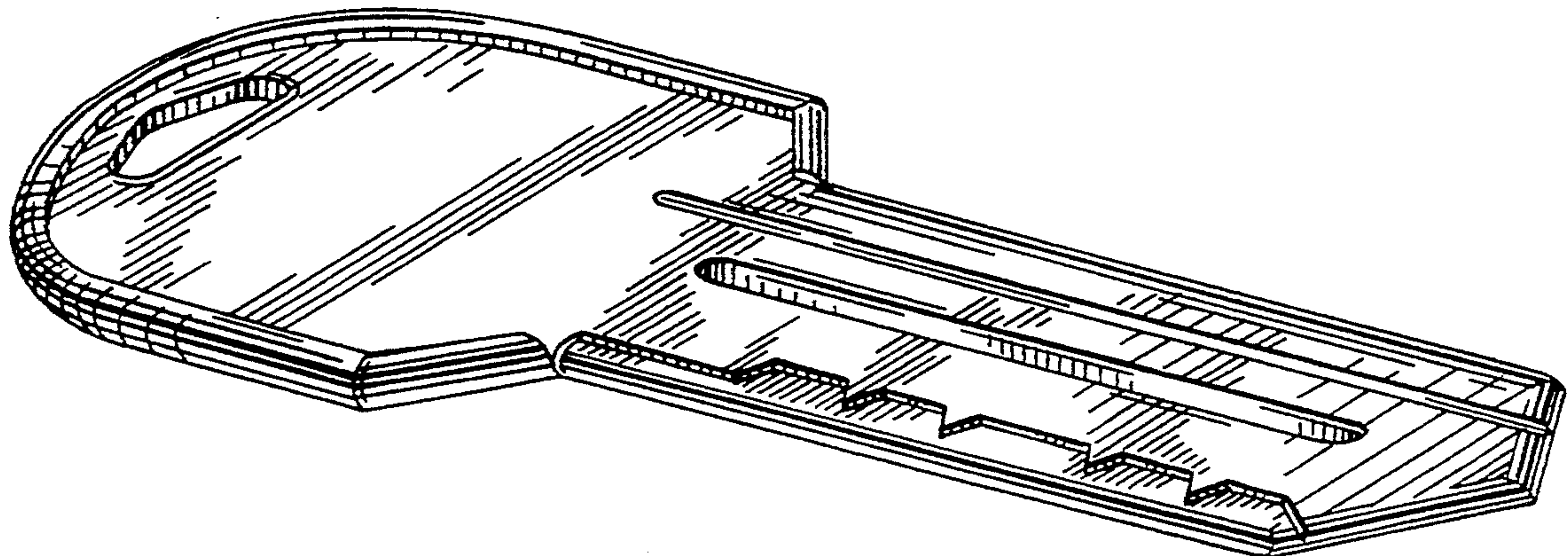
Primary Examiner—Brian N. Vinson
Attorney, Agent, or Firm—Quarles & Brady

[57] **CLAIM**

The ornamental design for a tube key, as shown and described.

DESCRIPTION

FIG. 1 is a perspective view of a tube key showing my new design;
FIG. 2 is a front elevational view thereof;
FIG. 3 is a rear elevational view thereof;
FIG. 4 is a top plan view thereof;
FIG. 5 is a bottom plan view thereof;
FIG. 6 is a left end plan view thereof; and,
FIG. 7 is a right end plan view thereof.



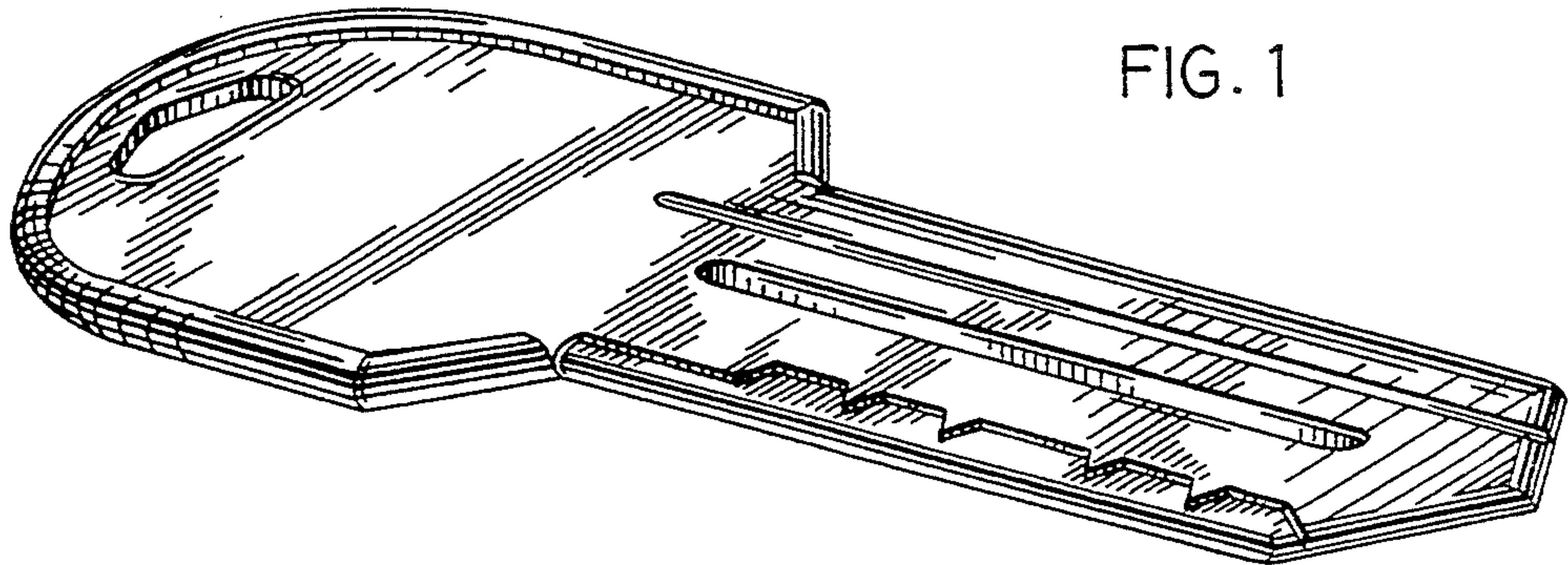


FIG. 1

FIG. 6

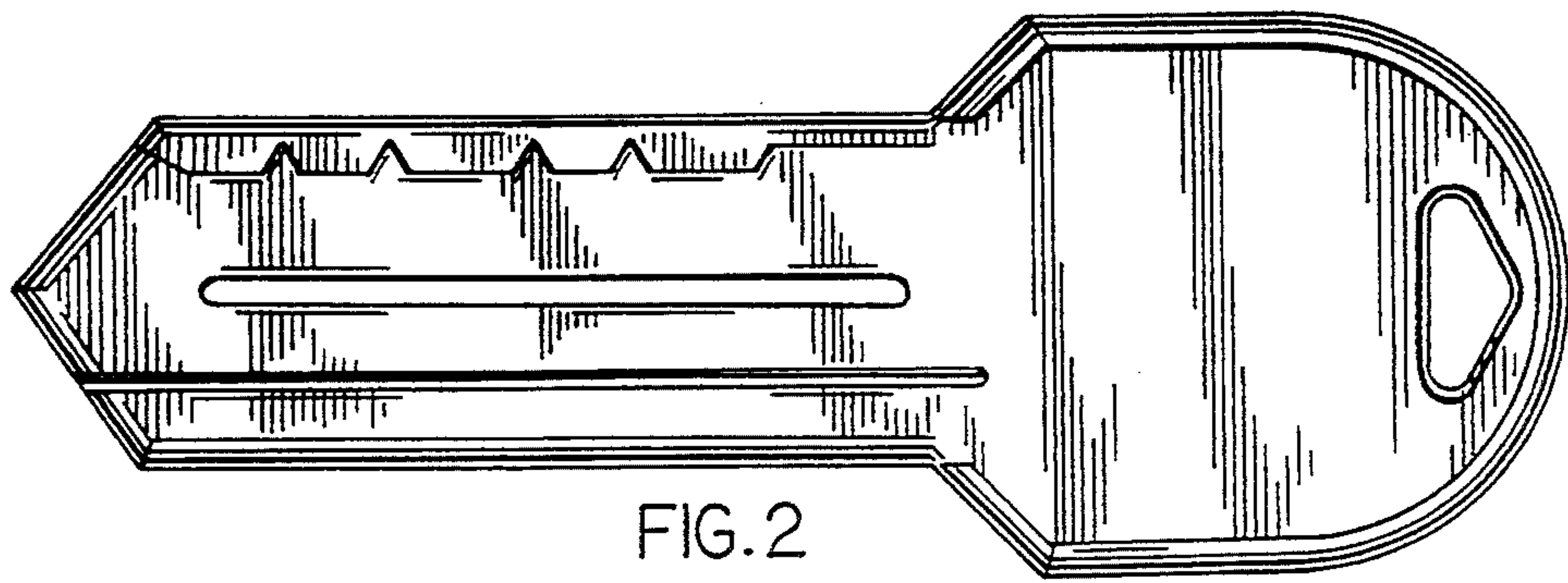


FIG. 2



FIG. 7

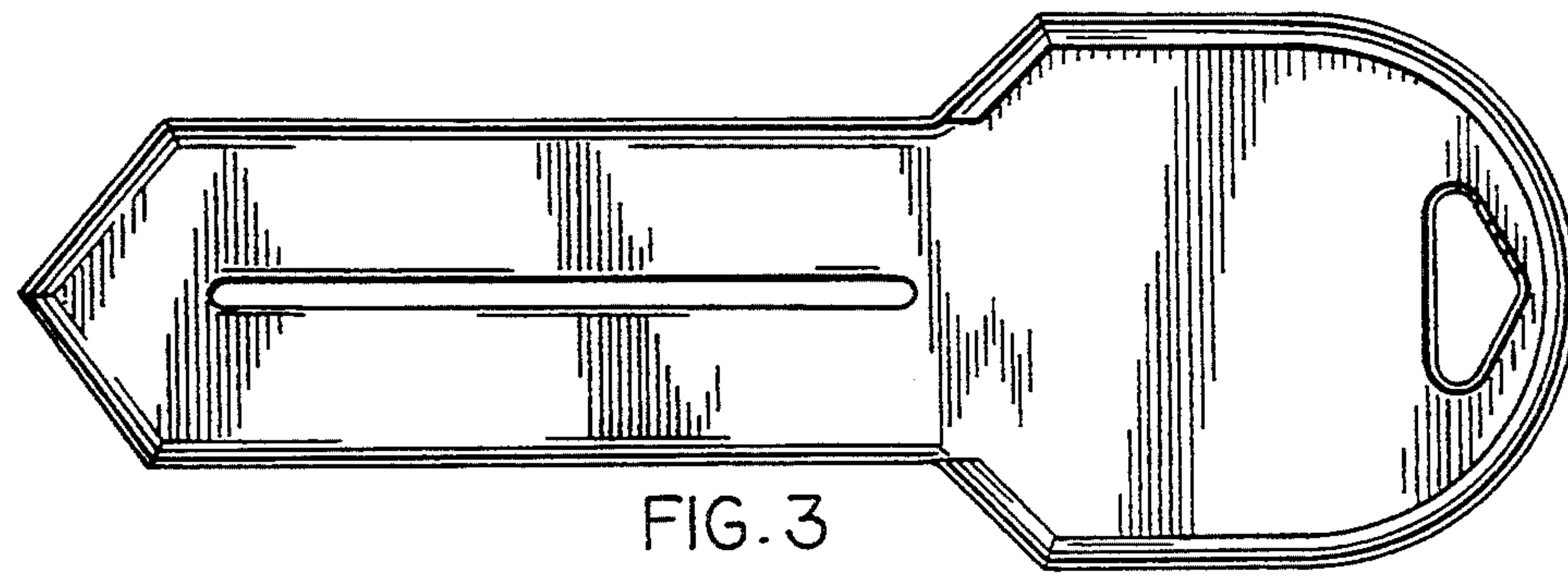


FIG. 3

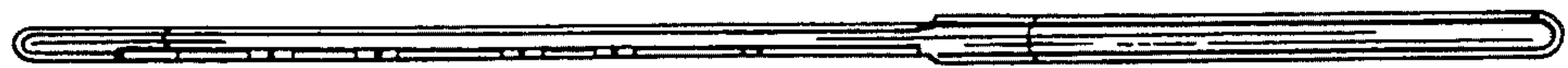


FIG. 4

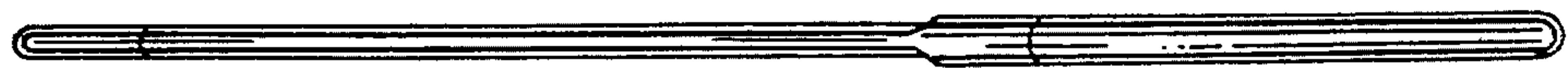


FIG. 5