



US00D360789S

United States Patent [19]

[11] Patent Number: **Des. 360,789**

Keeney

[45] Date of Patent: **** Aug. 1, 1995**

[54] **ROLLED PAPER HOLDER**

[76] Inventor: **Truman R. Keeney**, 13121 Martin Rd., Smithsburg, Md. 21783

[**] Term: **14 Years**

[21] Appl. No.: **18,642**

[22] Filed: **Feb. 14, 1994**

[52] U.S. Cl. **D6/518; D6/523**

[58] Field of Search **D6/518-523, D6/541; 242/598.4, 598.5, 599.1**

3,601,328 8/1971 McClung .
 3,647,158 3/1972 Feder .
 4,015,788 4/1977 O'Connor .
 4,032,077 6/1977 Baselice .
 4,541,582 9/1985 Odagawa .

Primary Examiner—Brian N. Vinson

[57] CLAIM

The ornamental design for a rolled paper holder, as shown and described.

DESCRIPTION

FIG. 1 is a front elevational view of the rolled paper holder showing my new design;
 FIG. 2 is a rear elevational view thereof;
 FIG. 3 is a left side elevational view thereof;
 FIG. 4 is a right side elevational view thereof;
 FIG. 5 is a top plan view thereof; and,
 FIG. 6 is a bottom plan view thereof.

[56] **References Cited**
U.S. PATENT DOCUMENTS

D. 345,875 4/1994 Thomason D6/518
 1,479,101 1/1924 Legendre D6/541 X
 2,045,035 6/1936 La Rock D6/518

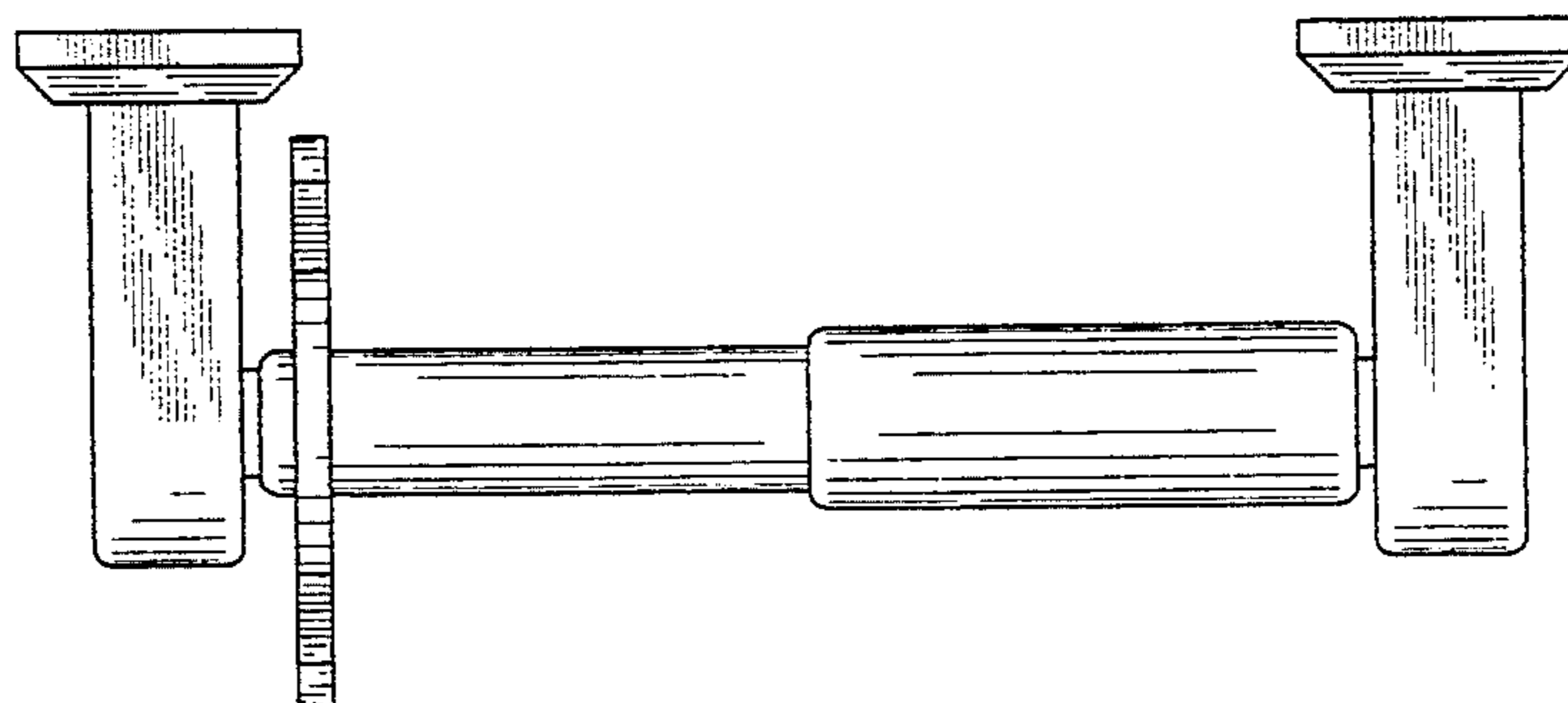
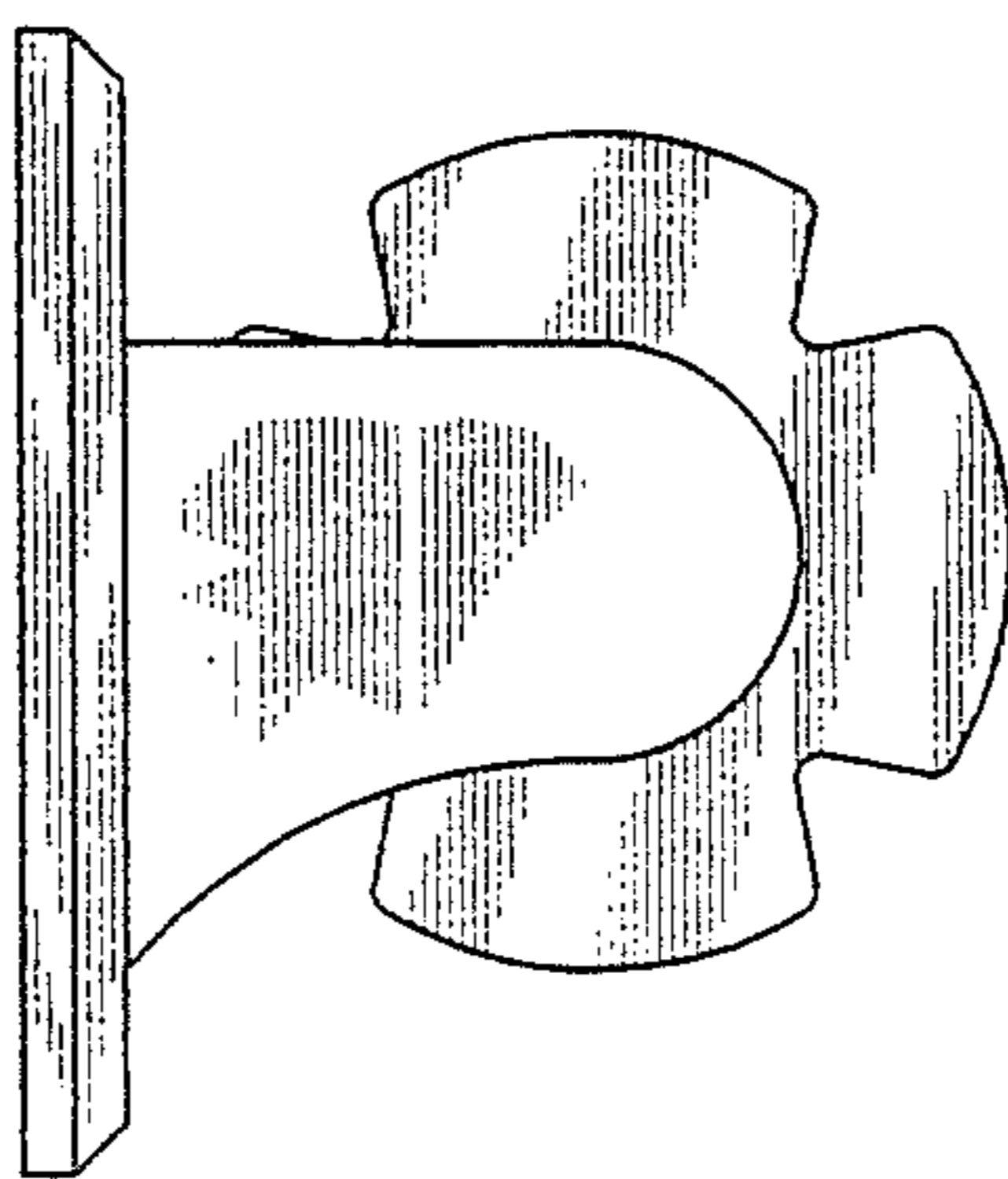
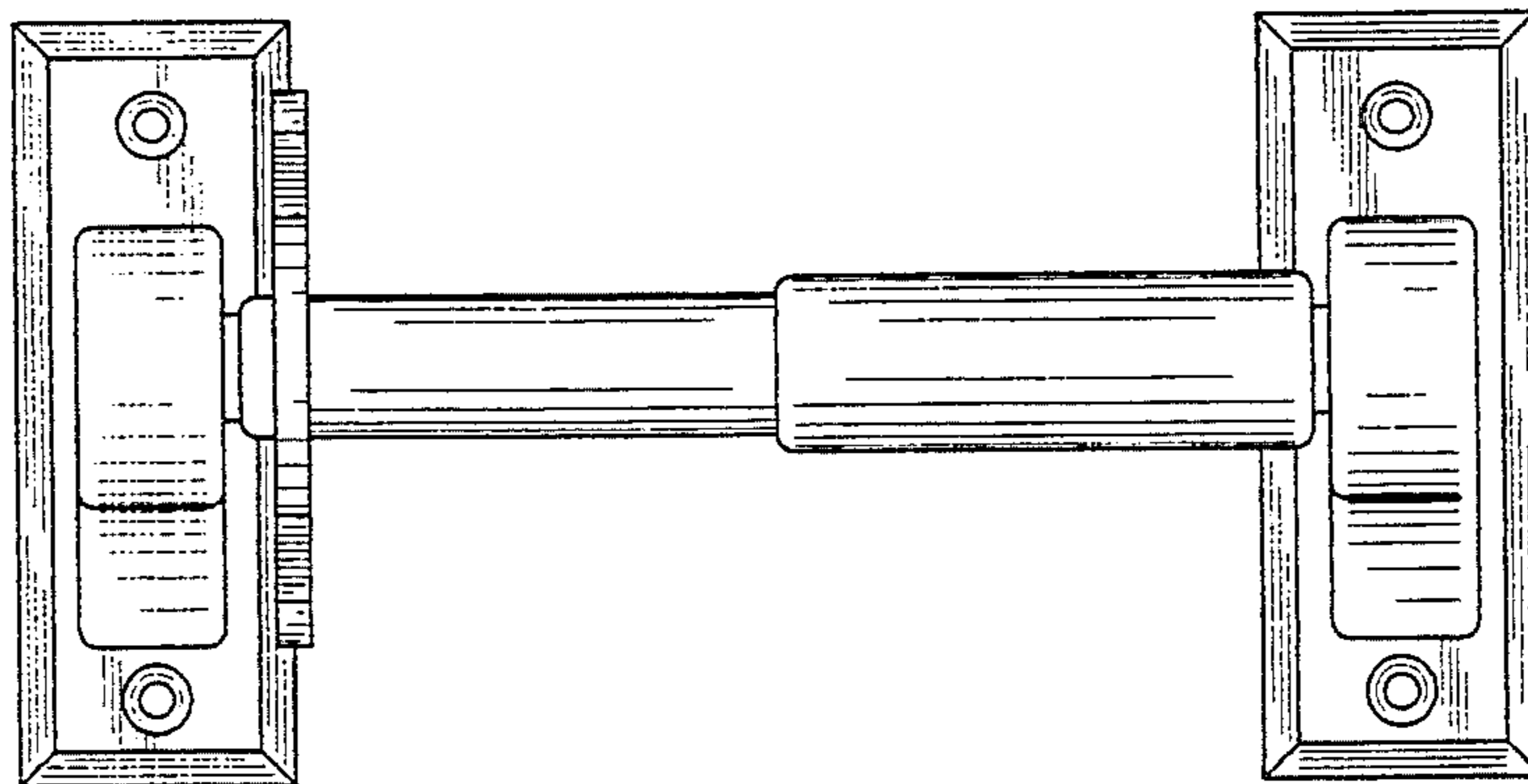


FIG. 1

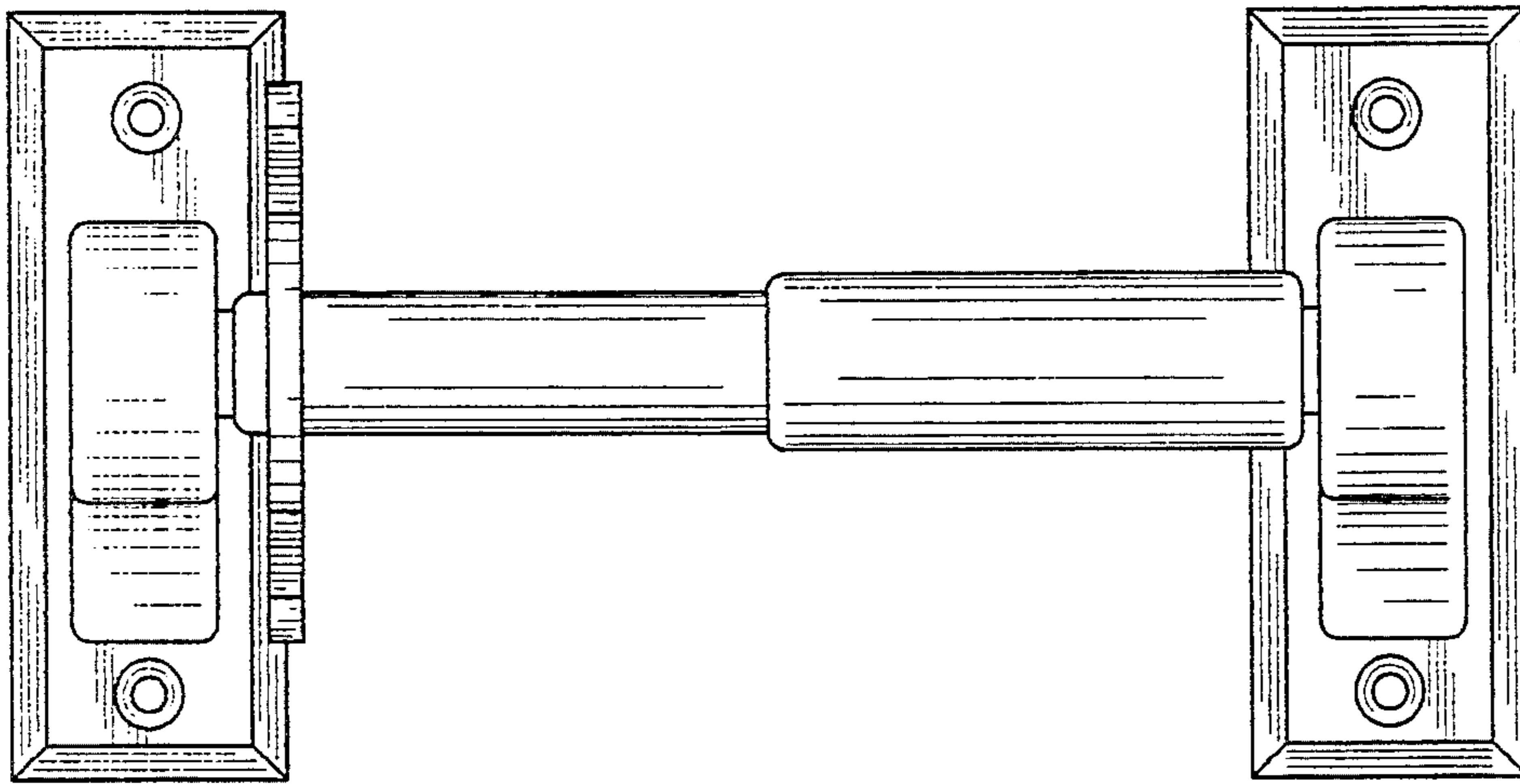


FIG. 2

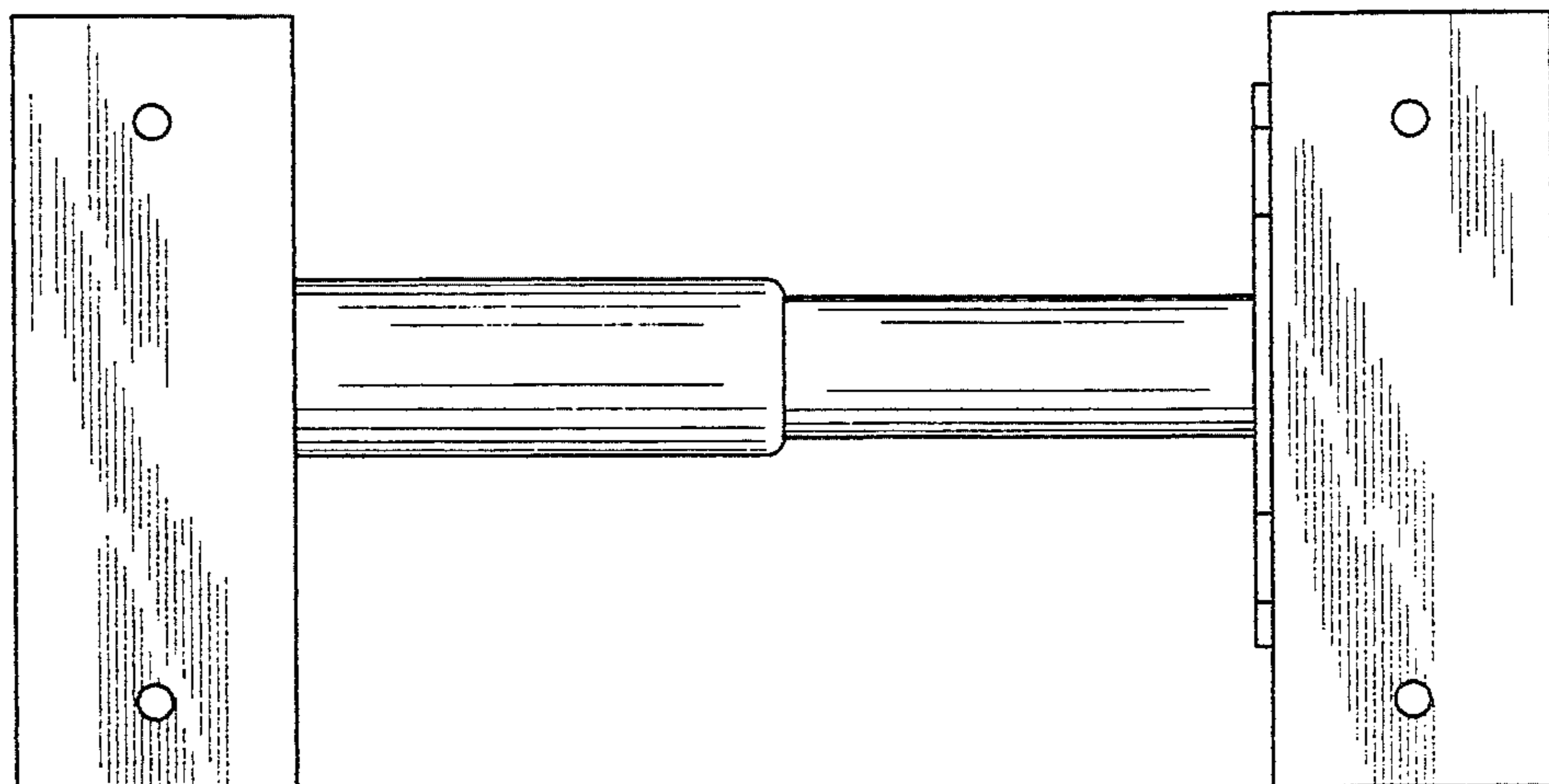


FIG. 3

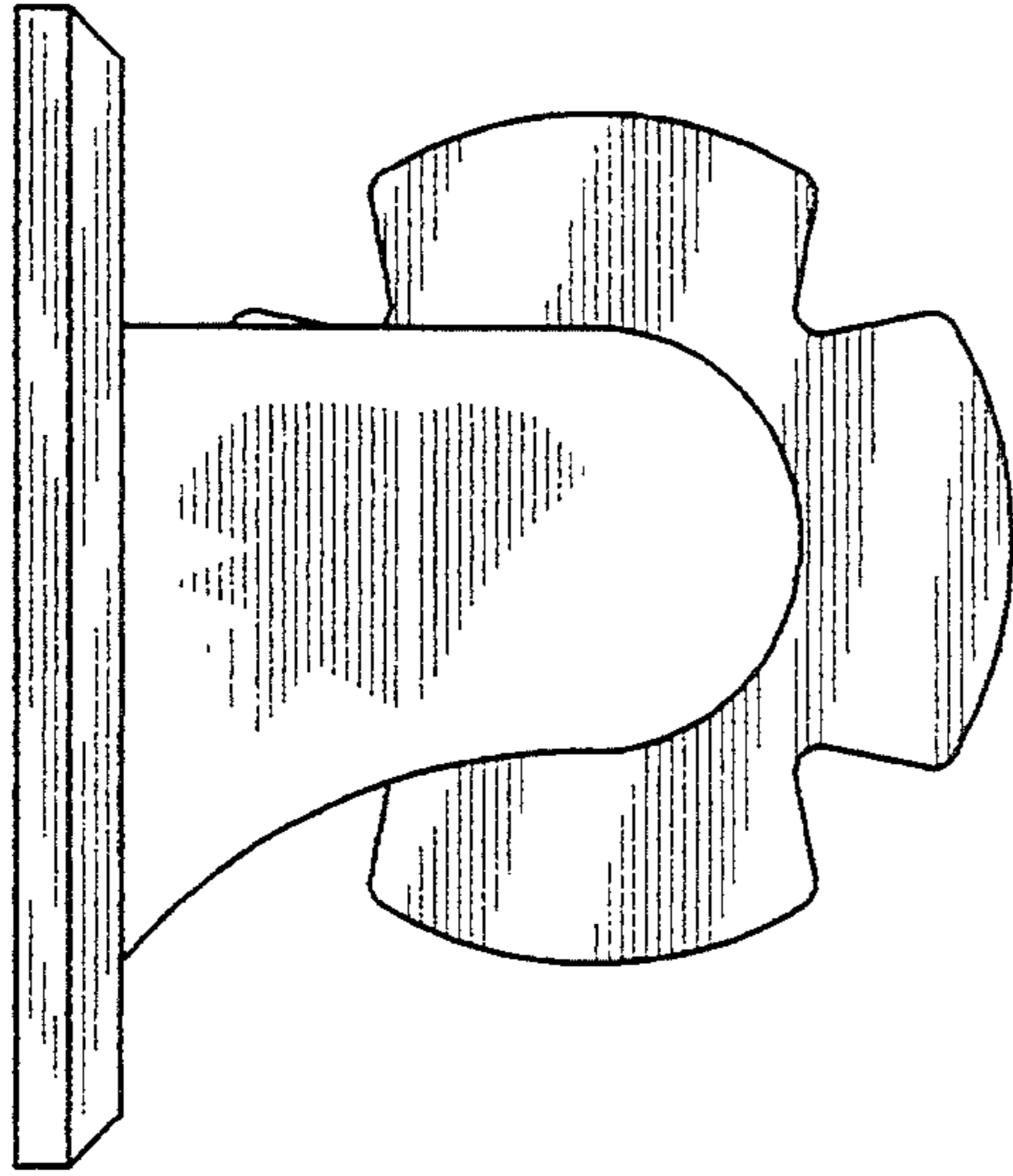


FIG. 4

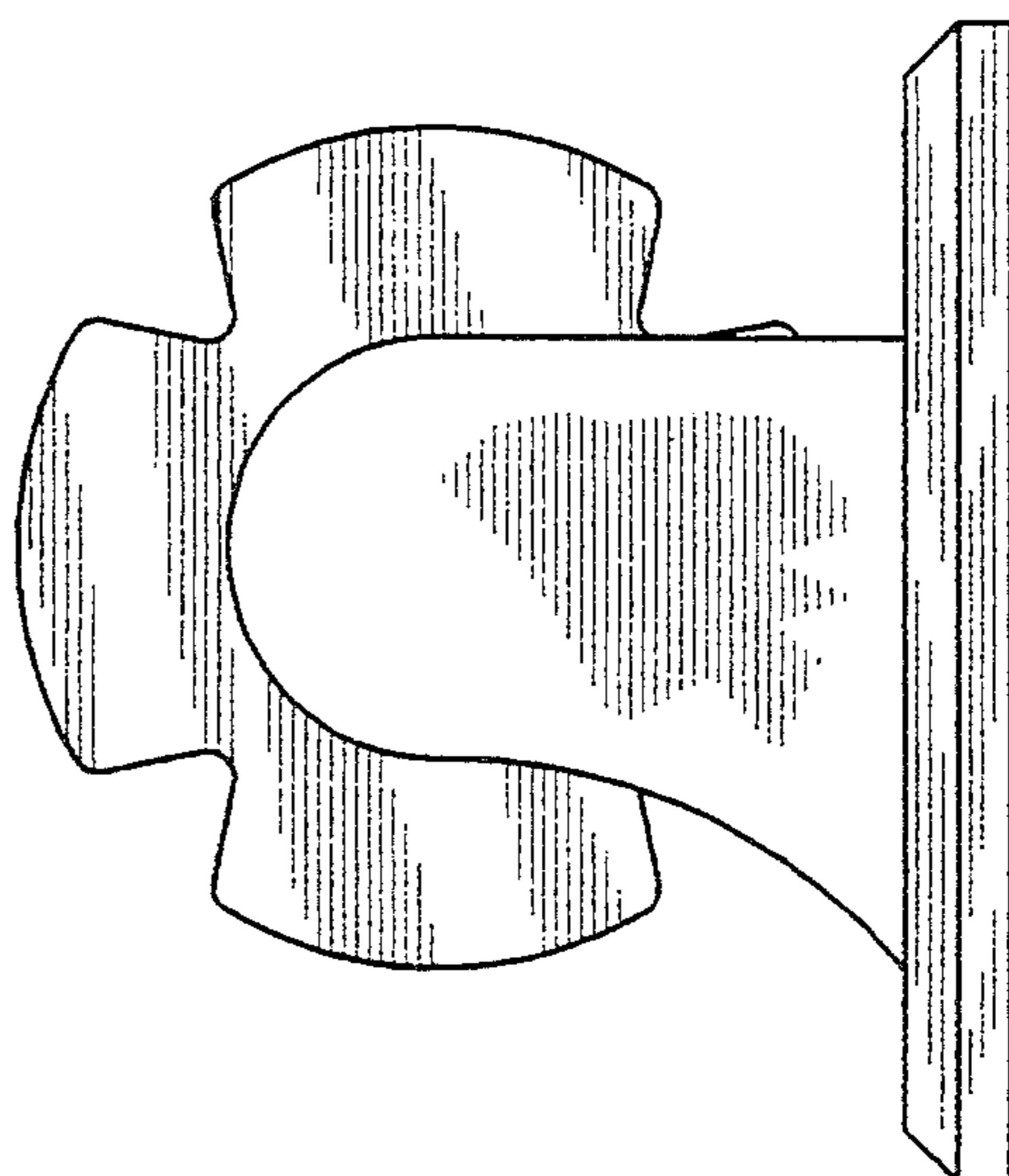


FIG. 5

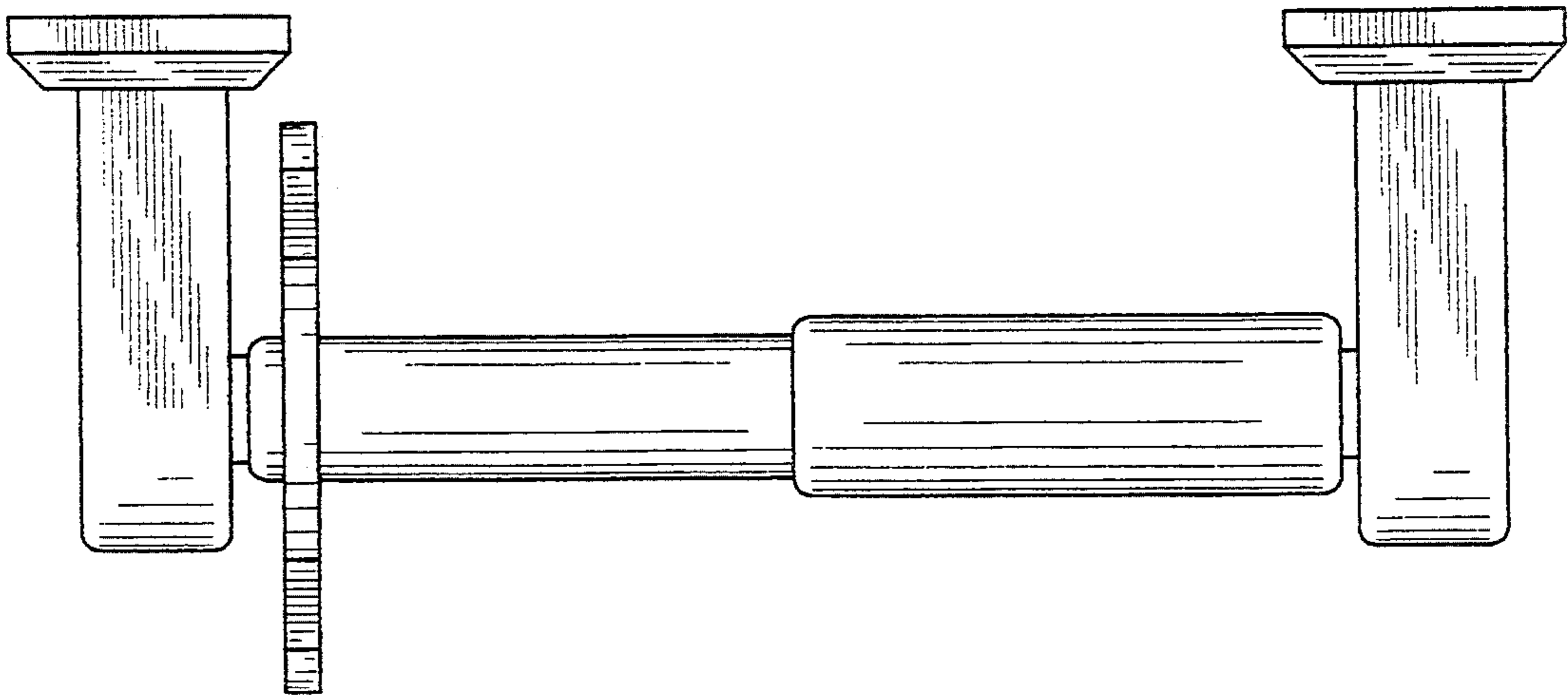


FIG. 6

