



US00D360785S

United States Patent [19]

[11] Patent Number: **Des. 360,785**

Mooslin

[45] Date of Patent: **** Aug. 1, 1995**

[54] **TURKEY BAR CARVING STATION**

[75] Inventor: **Michael D. Mooslin**, Newport Beach, Calif.

[73] Assignee: **Koo Koo Roo, Inc.**, Los Angeles, Calif.

[**] Term: **14 Years**

[21] Appl. No.: **18,781**

[22] Filed: **Feb. 14, 1994**

[52] U.S. Cl. **D6/481; D6/399**

[58] Field of Search **D6/399, 426, 470, 481; 312/140.1, 140.2, 116, 239; 62/249**

[56] **References Cited**

U.S. PATENT DOCUMENTS

D. 182,299 3/1958 Monaghan D6/399

D. 220,143 3/1971 Perl D6/481
D. 287,689 1/1987 Mortimer D6/481 X
2,518,134 8/1950 Fredenhagen et al. 312/116 X
2,900,045 8/1959 Conklin et al. 312/140.2 X

Primary Examiner—Janice E. Seeger
Attorney, Agent, or Firm—Stetina Brunda & Buyan

[57] **CLAIM**

The ornamental design for a turkey bar carving station, as shown and described.

DESCRIPTION

FIG. 1 is a front perspective drawing of the invention; FIG. 2 is a top view of the invention; FIG. 3 is a front view of the invention; FIG. 4 is a rear view of the invention; FIG. 5 is a left side view of the invention; and, FIG. 6 is a right side view of the invention.

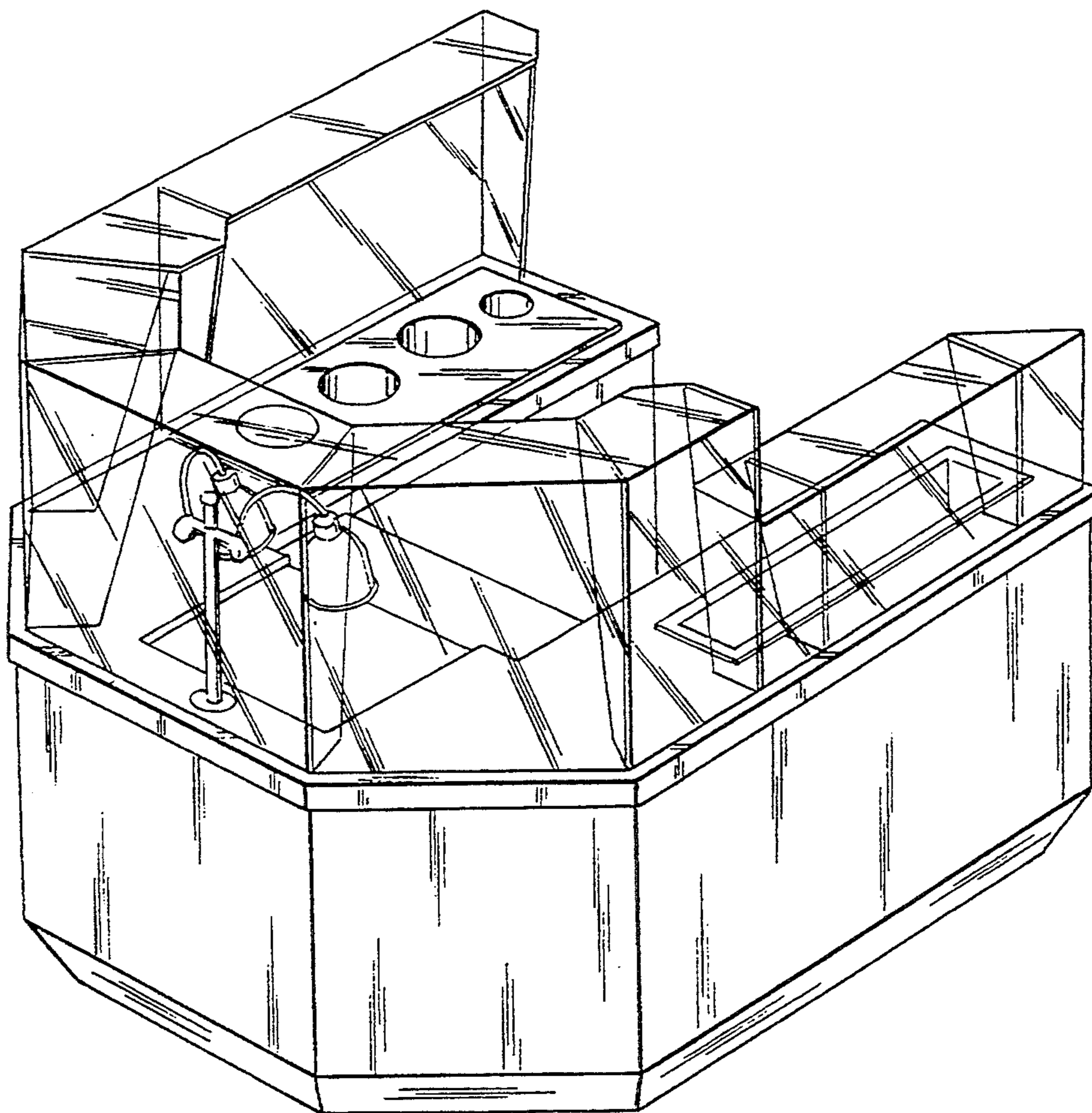


Fig. 1

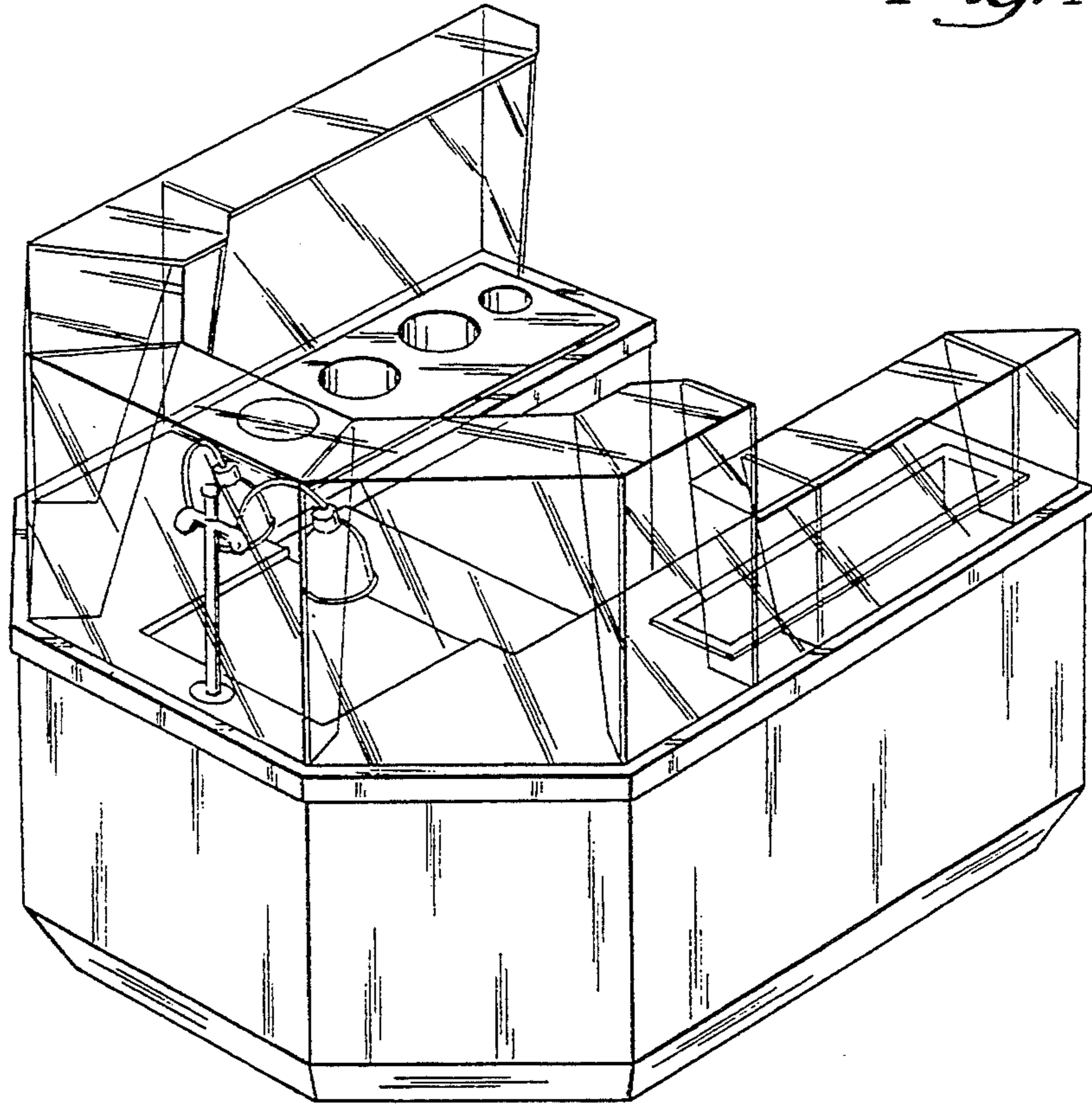


Fig. 2

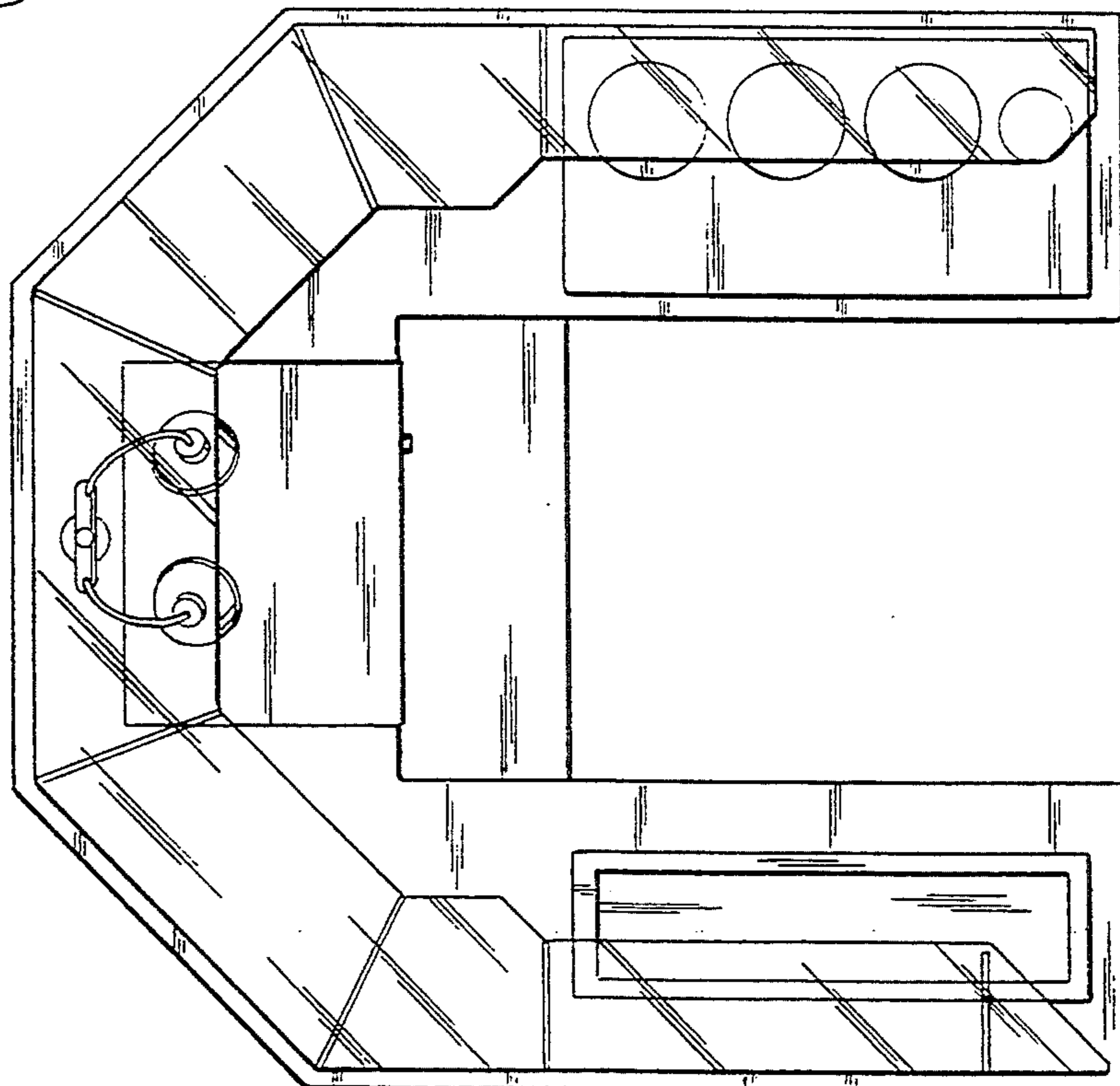


Fig. 3

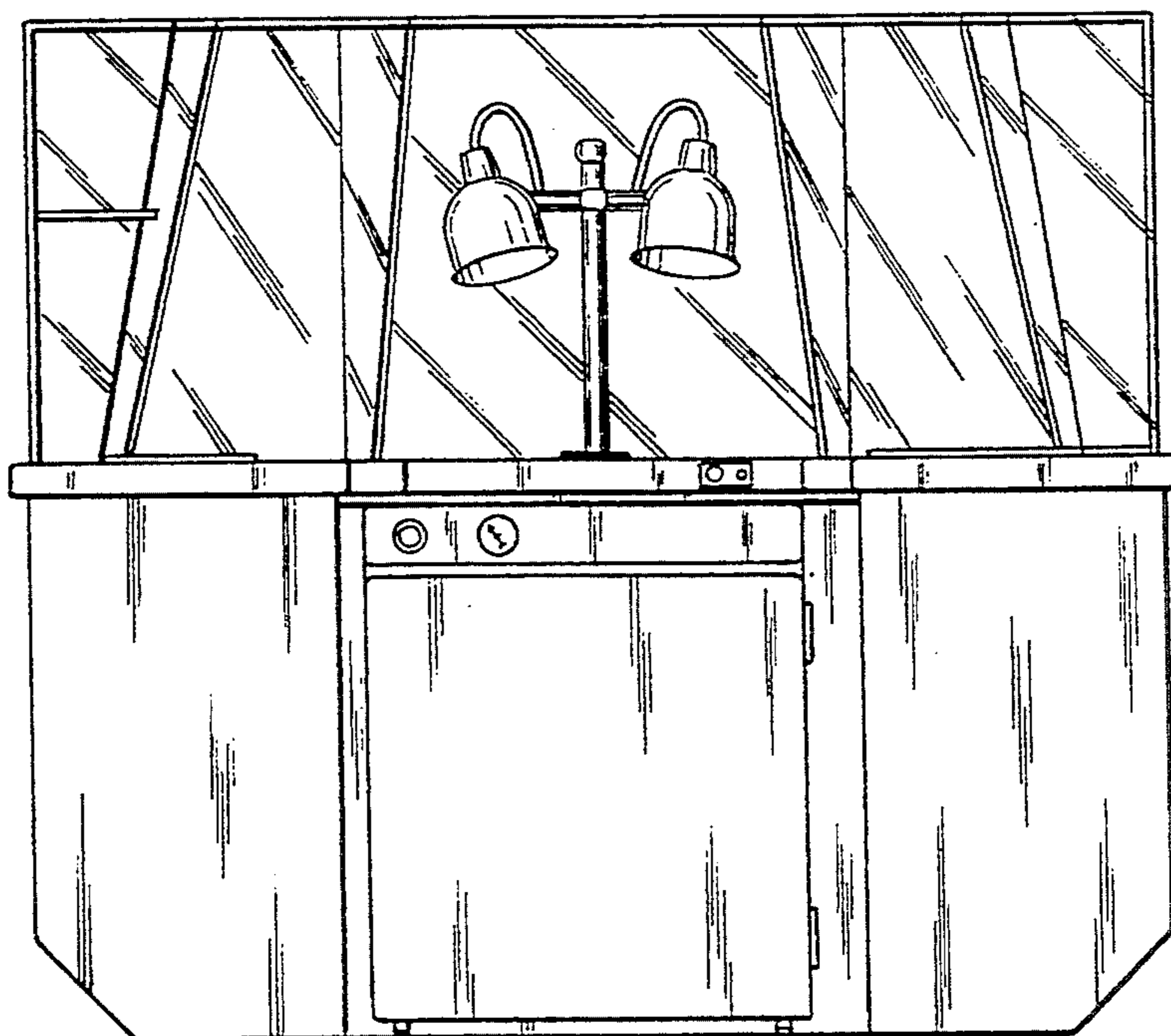
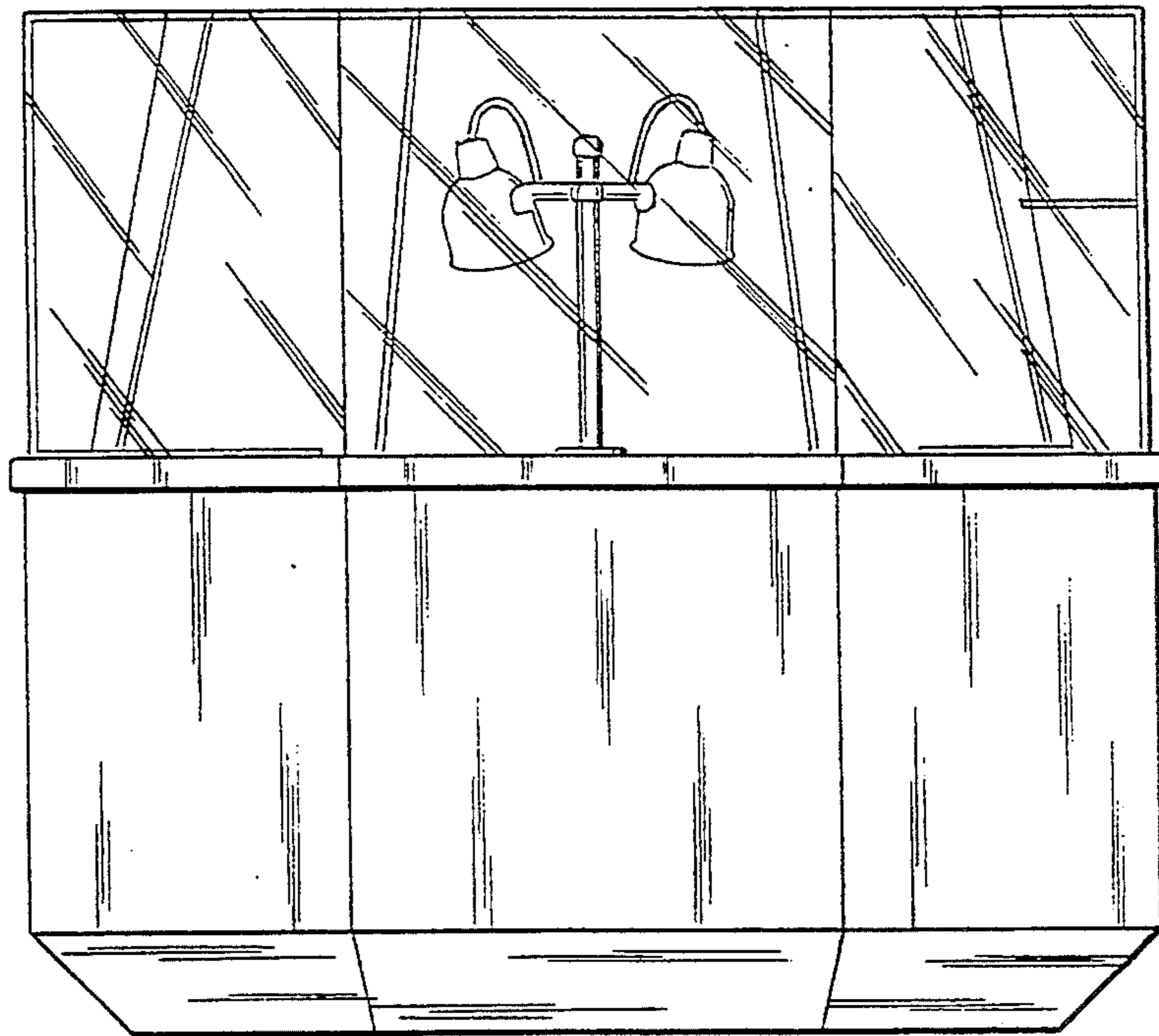


Fig. 4

Fig. 5

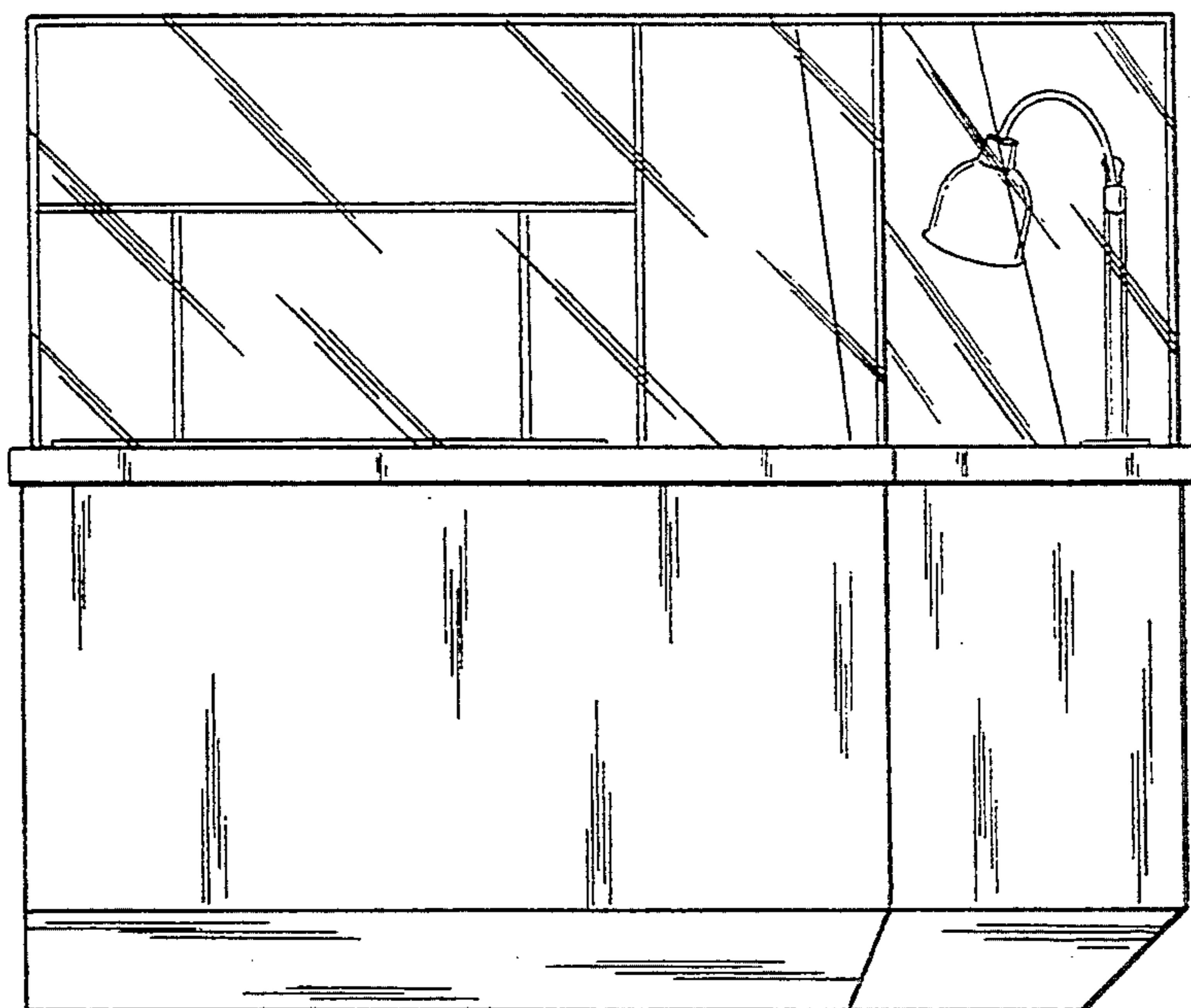
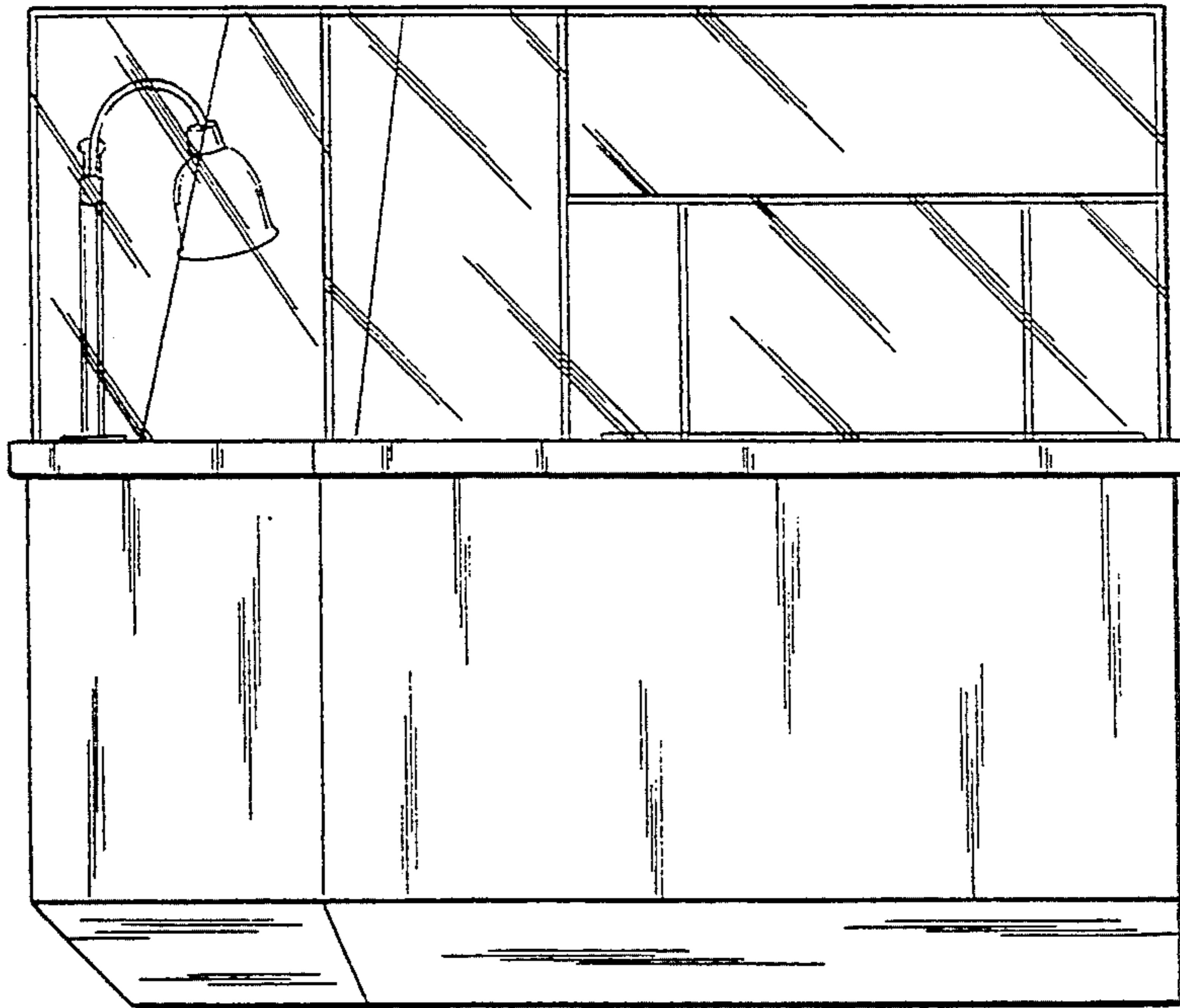


Fig. 6