



US00D360781S

United States Patent [19]

Hill et al.

[11] Patent Number: **Des. 360,781**

[45] Date of Patent: **** Aug. 1, 1995**

[54] **FURNITURE DISPLAY**

[75] Inventors: **Andrew C. Hill**, Joplin, Mo.; **Ronald S. Foster**, Hendersonville, Tenn.

[73] Assignee: **Sunbeam Corporation**, Fort Lauderdale, Fla.

[**] Term: **14 Years**

[21] Appl. No.: **26,749**

[22] Filed: **Aug. 4, 1994**

D. 263,261	3/1982	Rutter	D6/421
D. 283,278	4/1986	Kent	D6/421
3,160,451	12/1964	Lewis	312/285 X
5,291,700	3/1994	Chew	312/195 X

Primary Examiner—Alan P. Douglas
Assistant Examiner—S. Snapp
Attorney, Agent, or Firm—Michael J. Kline

[57] **CLAIM**

The ornamental design for a furniture display, as shown and described.

DESCRIPTION

FIG. 1 is an isometric view of a furniture display in accordance with the present invention;
 FIG. 2 is a front elevational view of the furniture display of FIG. 1;
 FIG. 3 is a rear elevational view of the furniture display of FIG. 1;
 FIG. 4 is a top plan view of the furniture display of FIG. 1;
 FIG. 5 is a bottom plan view of the furniture display of FIG. 1;
 FIG. 6 is a left side elevational view of the furniture display of FIG. 1; and,
 FIG. 7 is a right side elevational view of the furniture display of FIG. 1.

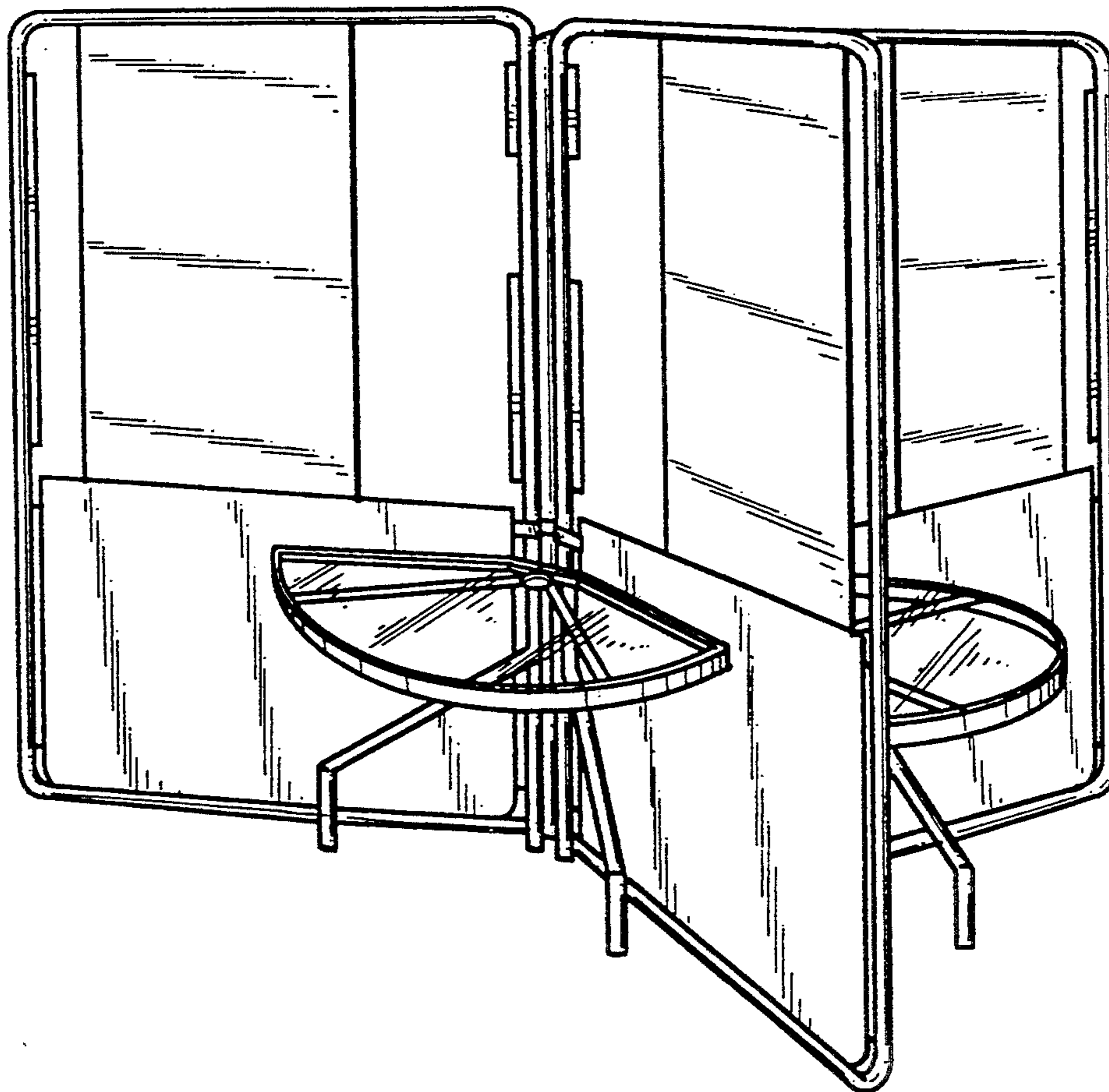
Related U.S. Application Data

[63] Continuation of Ser. No. 103,836, Aug. 6, 1993.
 [52] U.S. Cl. **D6/455**
 [58] Field of Search D6/449, 450, 451, 470, D6/469, 478, 479, 455, 461, 396, 421, 465, 461; 248/424, 425; 312/194, 195, 196, 197; 108/60

References Cited

U.S. PATENT DOCUMENTS

D. 199,399	10/1964	Lewis	D6/421
D. 206,998	2/1967	Benjamin	D6/421 X
D. 211,546	6/1968	Reibold	D6/455
D. 218,176	7/1970	Marais	D6/421
D. 232,607	9/1974	Kramer	D6/421



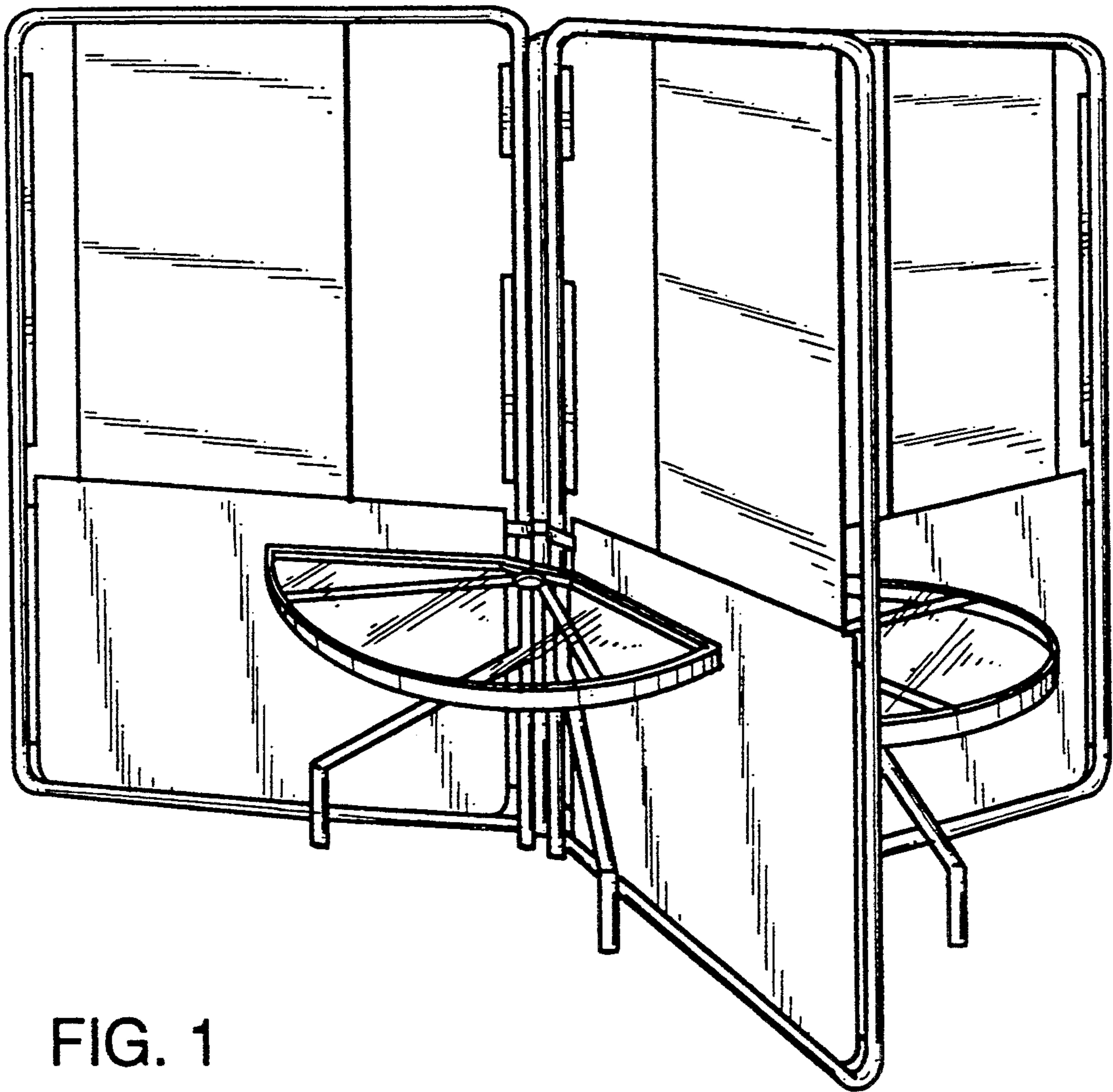


FIG. 1

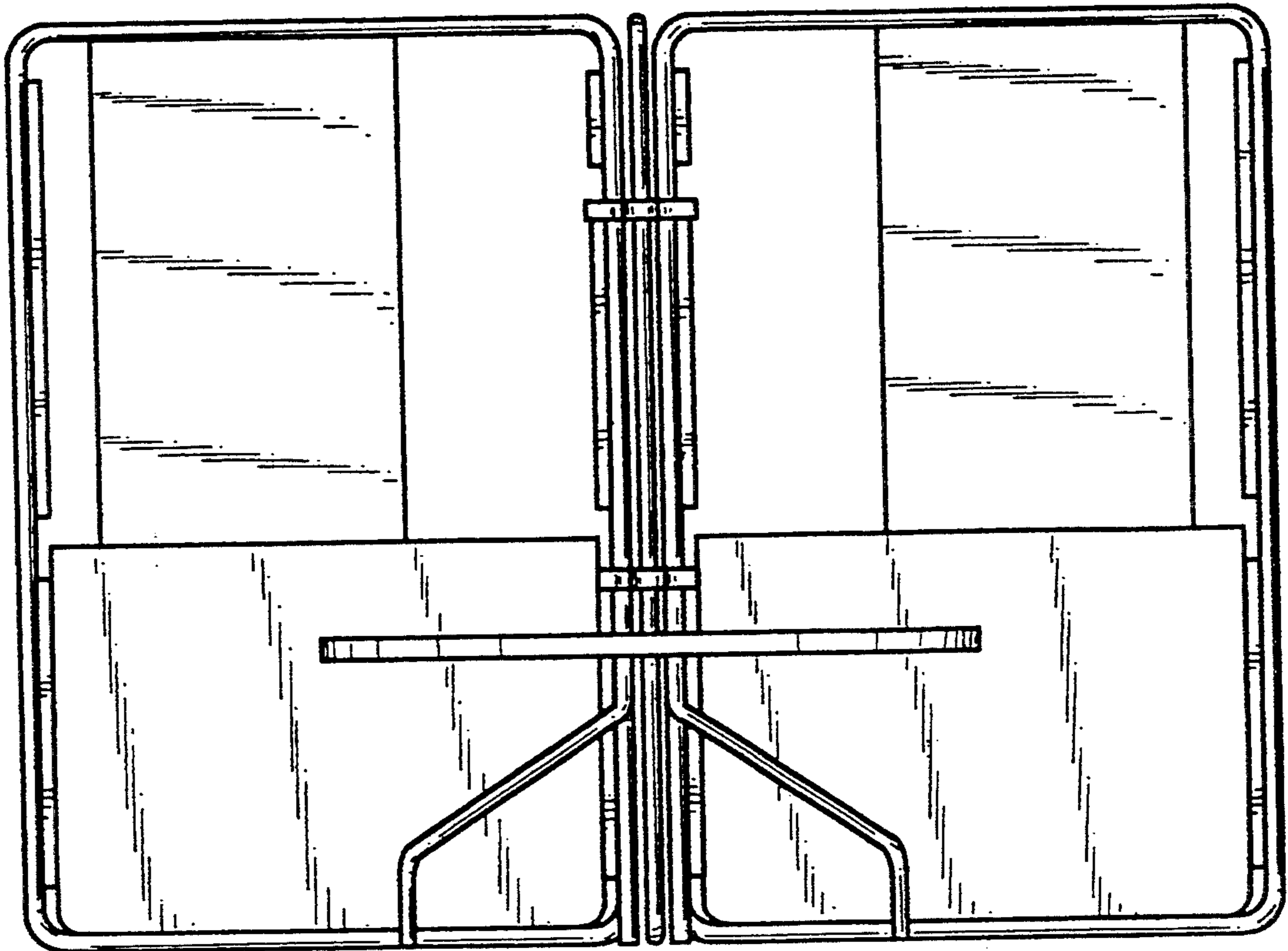


FIG. 2

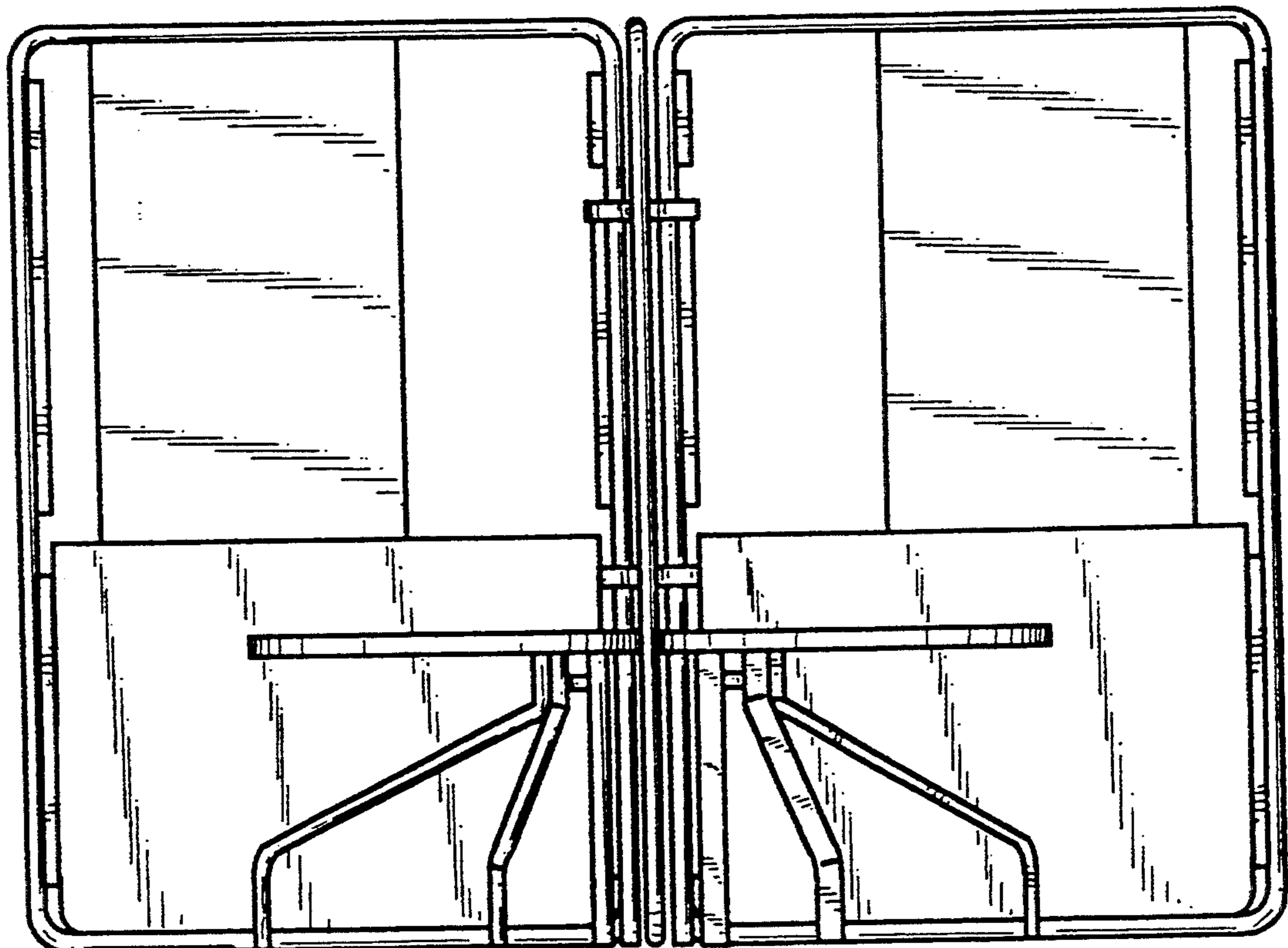


FIG. 3

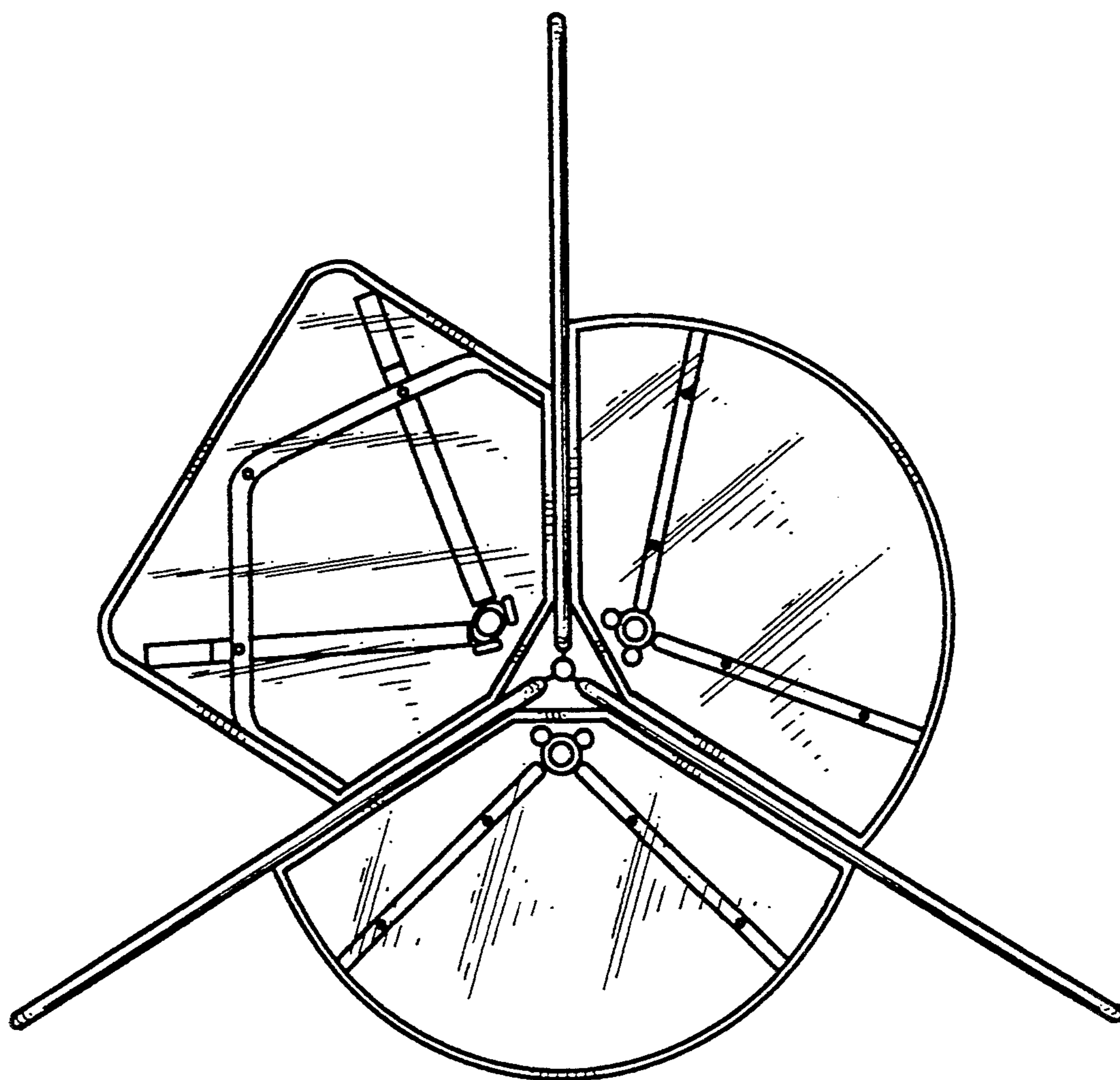


FIG. 4

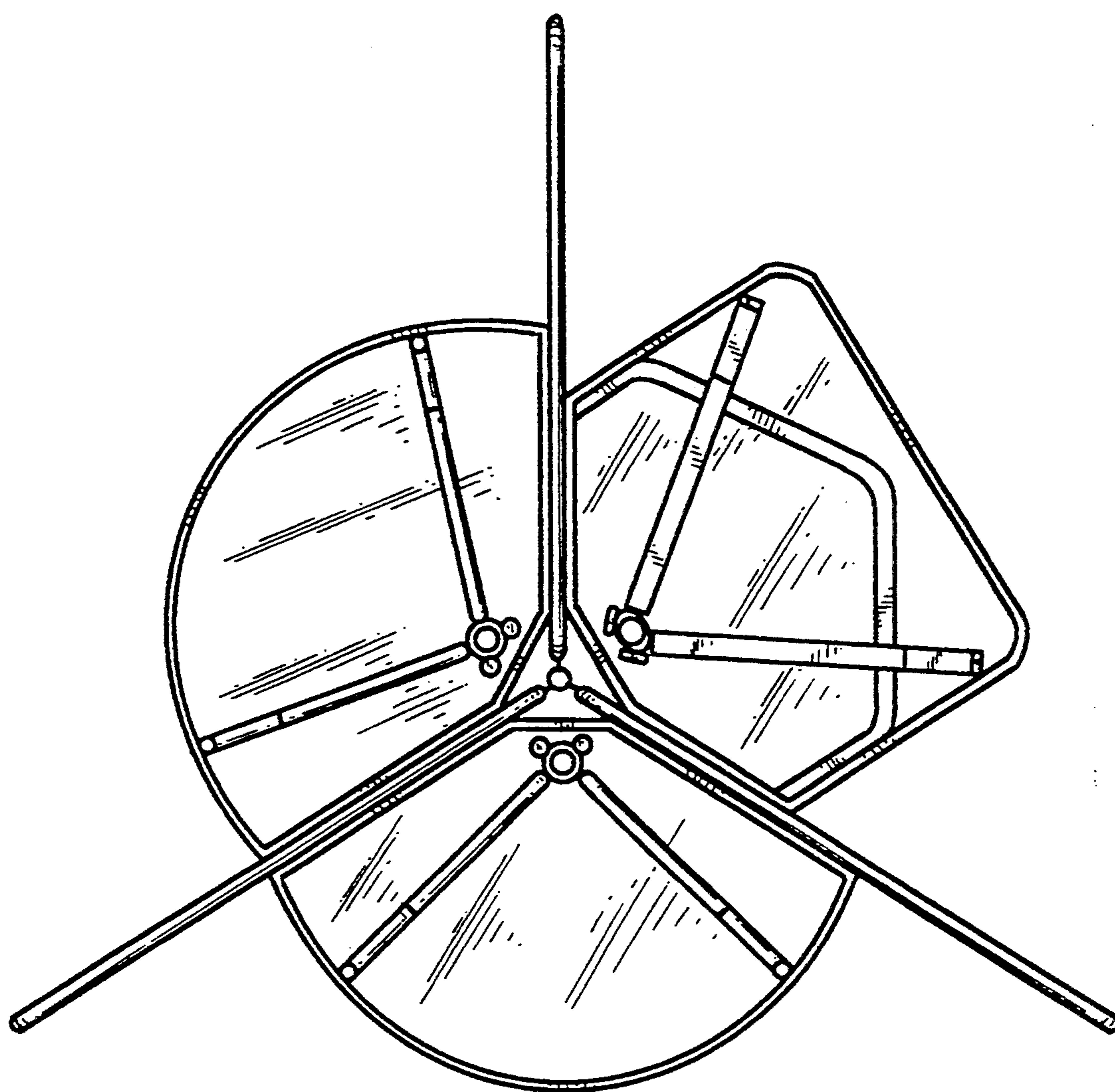


FIG. 5

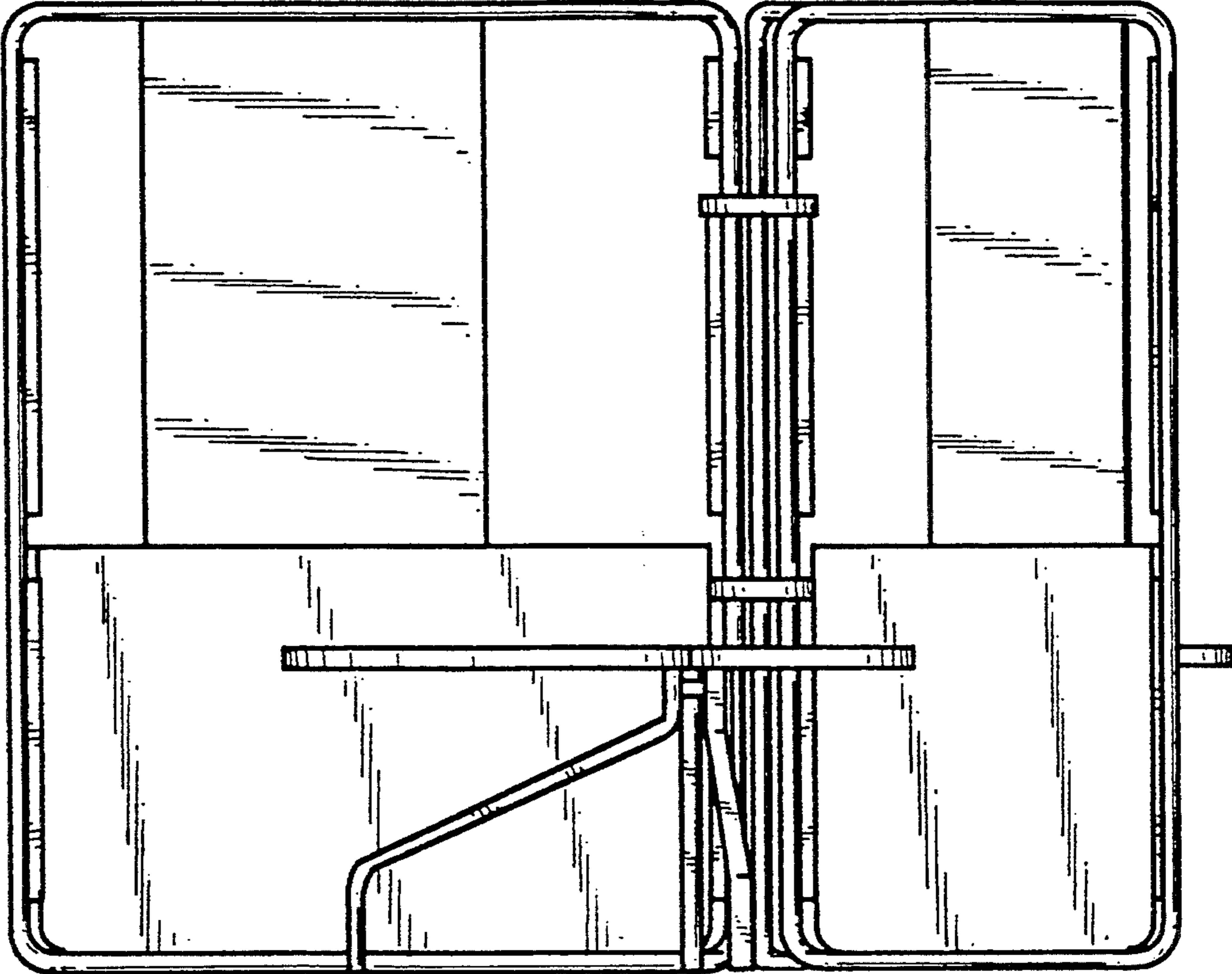


FIG. 6

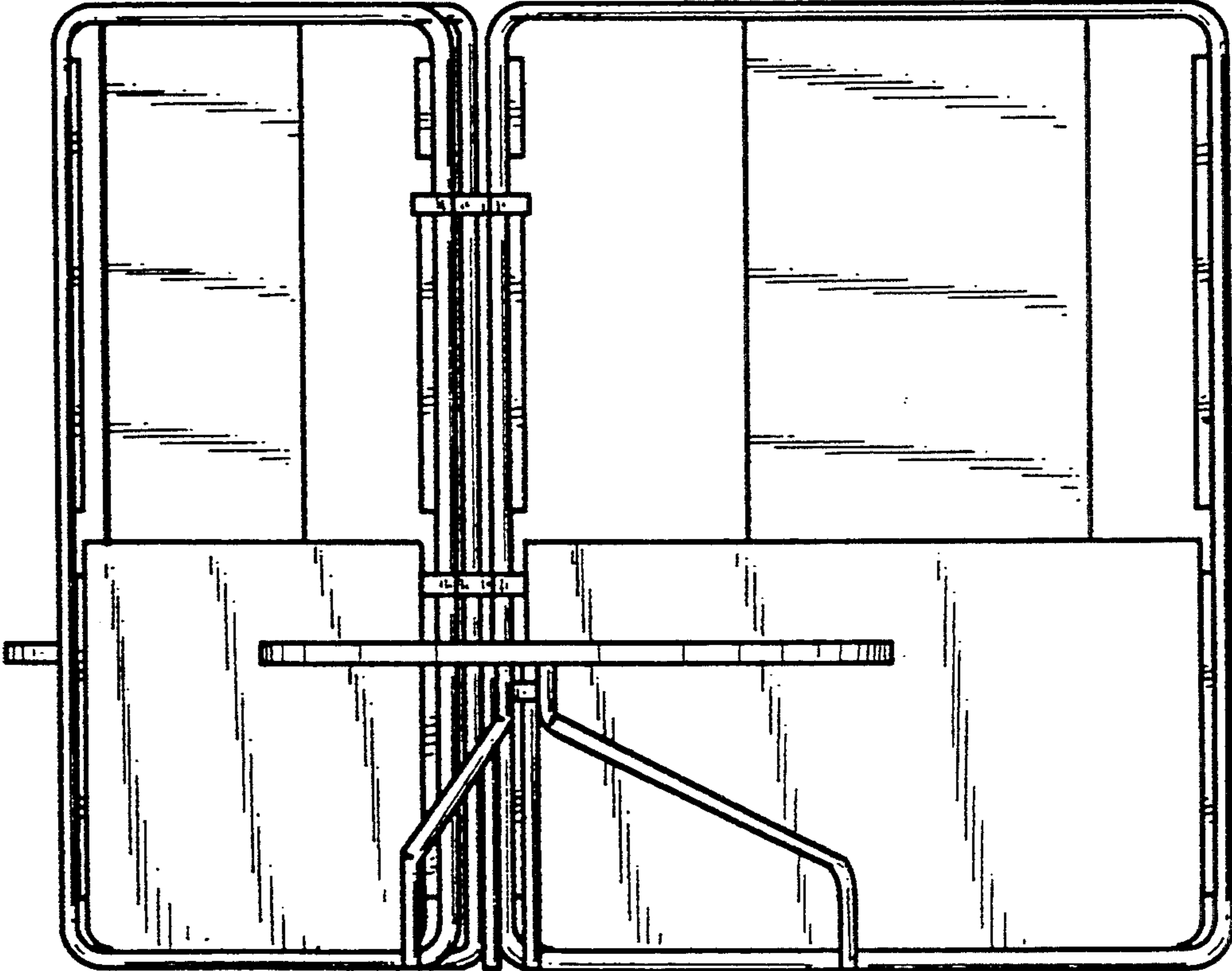


FIG. 7