



US00D360778S

# United States Patent [19]

[11] Patent Number: **Des. 360,778**

**Apt, III et al.**

[45] Date of Patent: **\*\* Aug. 1, 1995**

- [54] STORAGE DRAWER
- [75] Inventors: **Fred G. Apt, III; Keith E. Brightbill; Brian J. Conaway**, all of Wooster; **Coy D. Ward**, Norton, all of Ohio
- [73] Assignee: **Rubbermaid Incorporated**, Wooster, Ohio
- [\*\*] Term: **14 Years**
- [21] Appl. No.: **3,473**
- [22] Filed: **Jan. 8, 1993**
- [52] U.S. Cl. .... **D6/448**
- [58] Field of Search ..... **D9/424, 425; D3/305; D34/40-46; 206/499, 503, 508, 515, 518, 501; 220/617, 666, 667, 661, 669; D19/92, 52; D7/629**

[56] **References Cited**

**U.S. PATENT DOCUMENTS**

D. 238,051	12/1975	Fier, Jr. ....	D9/425
D. 246,872	1/1978	White .	
D. 246,982	1/1978	Hamilton .....	D19/92
D. 279,251	6/1985	Daenen et al. ....	D7/629
D. 280,216	8/1985	Boklund .....	D19/52
D. 286,339	10/1986	Van Berne et al. ....	D3/305
D. 302,774	8/1989	Murphy .	
D. 308,340	6/1990	Ilsen et al. ....	D9/425
D. 319,016	8/1991	Kahl .....	D9/424
D. 319,977	9/1991	Curry .....	D9/425
D. 328,425	8/1992	Brightbill .....	D9/425
D. 329,331	9/1992	Hobson .....	D3/78
D. 329,747	9/1992	Embree .....	D3/78
D. 330,161	10/1992	Schuh .....	D9/425 X
D. 330,329	10/1992	Brightbill .....	D9/424
D. 330,813	11/1992	Spitzer et al. ....	D6/432
D. 332,745	1/1993	Koloski .....	D9/424
D. 334,453	3/1993	Koloski .....	D34/40
D. 348,394	7/1994	Dreyer .....	D9/425
4,322,118	3/1982	Shugart .....	312/111
4,389,078	6/1983	Streit .....	312/322

**OTHER PUBLICATIONS**

Catalog Page, Storage Box; Sterilite Corporation, P.O. Box 524, Main St., Townsend, Mass. 01469; Publication Date 1990.

Catalog Page, Storage Drawer; Sterilite Corporation,

P.O. Box 524, Main St., Townsend, Mass. 01469; Publication Date 1990.

Catalog Page, Basket; Sterilite Corporation, P.O. Box 524, Main St., Townsend, Mass. 01469; Publication Date 1990.

Label, Storage Drawers; A-Bee Syndicate, Inc., /STAXX, Inc., New York, N.Y. 10001; Publication Date 1989.

Pp. 25, 26, 29, Storage Drawers; *Hold Everything* magazine, address unknown. It is believed that the product depicted herein has been on sale for more than one (1) year prior to the application date of this instant application.

P. 7, Storage Box; Tamor Plastics Corporation, Consumer Products Division, P.O. Box 1186, Leominster, Mass. 10453. Publication Date Jan., 1989.

Catalog Page, Storage Box; Tucker Housewares, Subsidiary of Kidde, Inc., 345 Central St., Leominster, Mass. 01453. Publication Date Jan., 1989.

Sell Sheet, Storage Box; Stor-All, Coast-to-Coast Corp., 94 Pinewood Gardens, Hartsdale, N.Y. 10530. It is believed that the product depicted herein has been on sale for more than one (1) year prior to the application date of this instant application.

(List continued on next page.)

*Primary Examiner*—Carmen H. Vales-Lado  
*Attorney, Agent, or Firm*—Richard B. O'Planick; Lisa B. Riedesel

[57] **CLAIM**

The ornamental design for a storage drawer, as shown and described.

**DESCRIPTION**

FIG. 1 is a top right perspective view of a storage drawer showing our new design, the diagonal shade lines shown indicate a translucent surface;

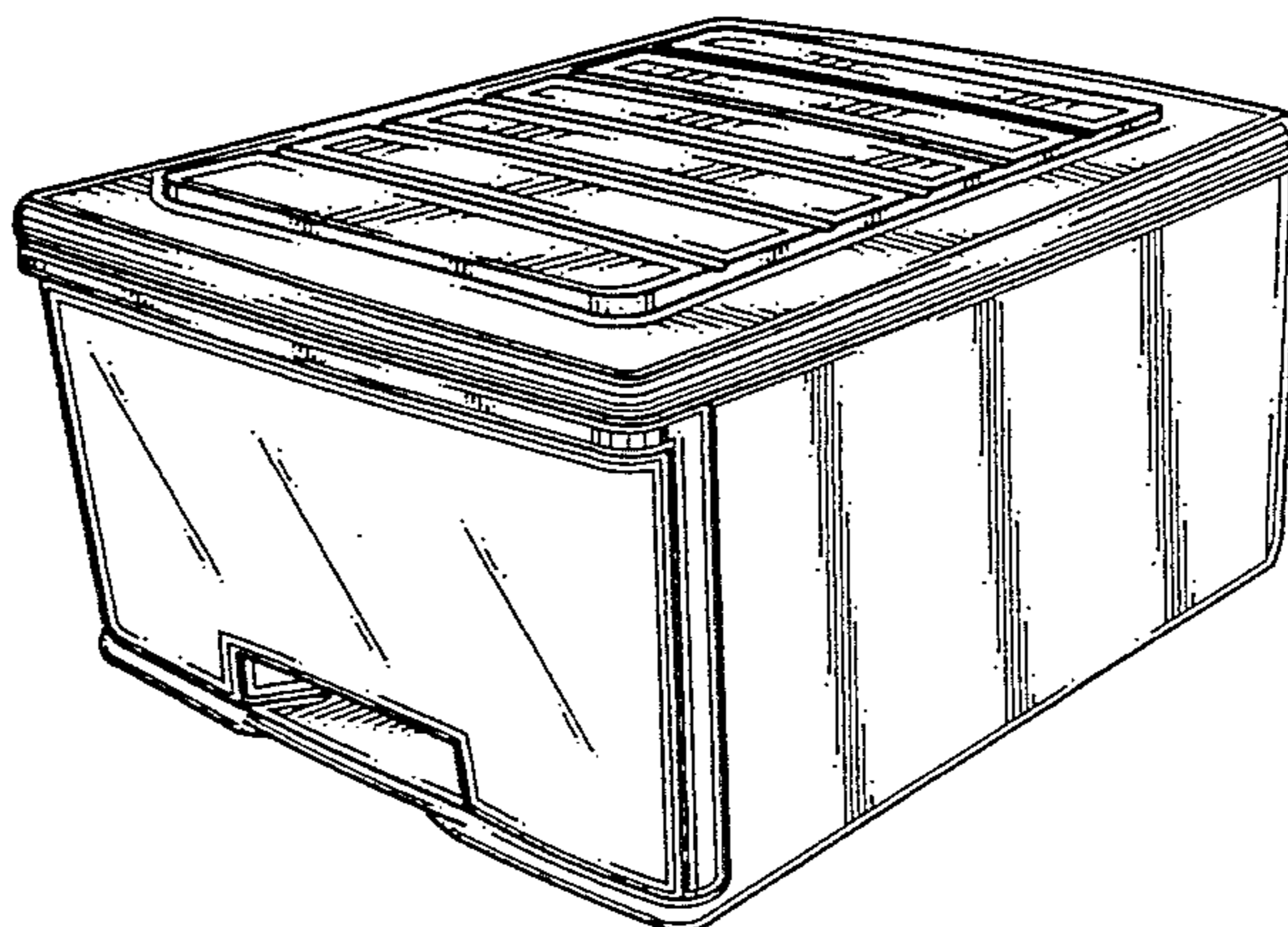
FIG. 2 is a front elevational view thereof;

FIG. 3 is a rear elevational view thereof;

FIG. 4 is a right side elevational view thereof; the opposite side being a mirror image;

FIG. 5 is a top plan view thereof; and,

FIG. 6 is a bottom plan view thereof.



OTHER PUBLICATIONS

Sell Sheet, Storage Box; Stor-All, Coast-to-Coast Container Corp., 94 Pinewood Gardens, Hartsdale, N.Y. 10530. It is believed that the product depicted herein has been on sale for more than one (1) year prior to the application date of this instant application.

Catalog Page, Storage Box; Rubberqueen, Loma-Rubberqueen, Fort Worth, Tex. It is believed that the product depicted herein has been on sale for more than one (1) year prior to the application date of this instant application.

P. 8, Storage Containers; Rubbermaid Commercial Products Inc., 3124 Valley Avenue, Winchester, Va. 22601. Publication Date 1991.

P. 17, Storage Container; Curver, Takkebijster 75, Postbus 6810, 4802 HV Breda, Netherlands. Publication Date 1991.

Pp. 7 & 28, Storage Container. Rubbermaid Incorporated, 1147 Akron Road, Wooster, Ohio 44691. Publication Date 1988.

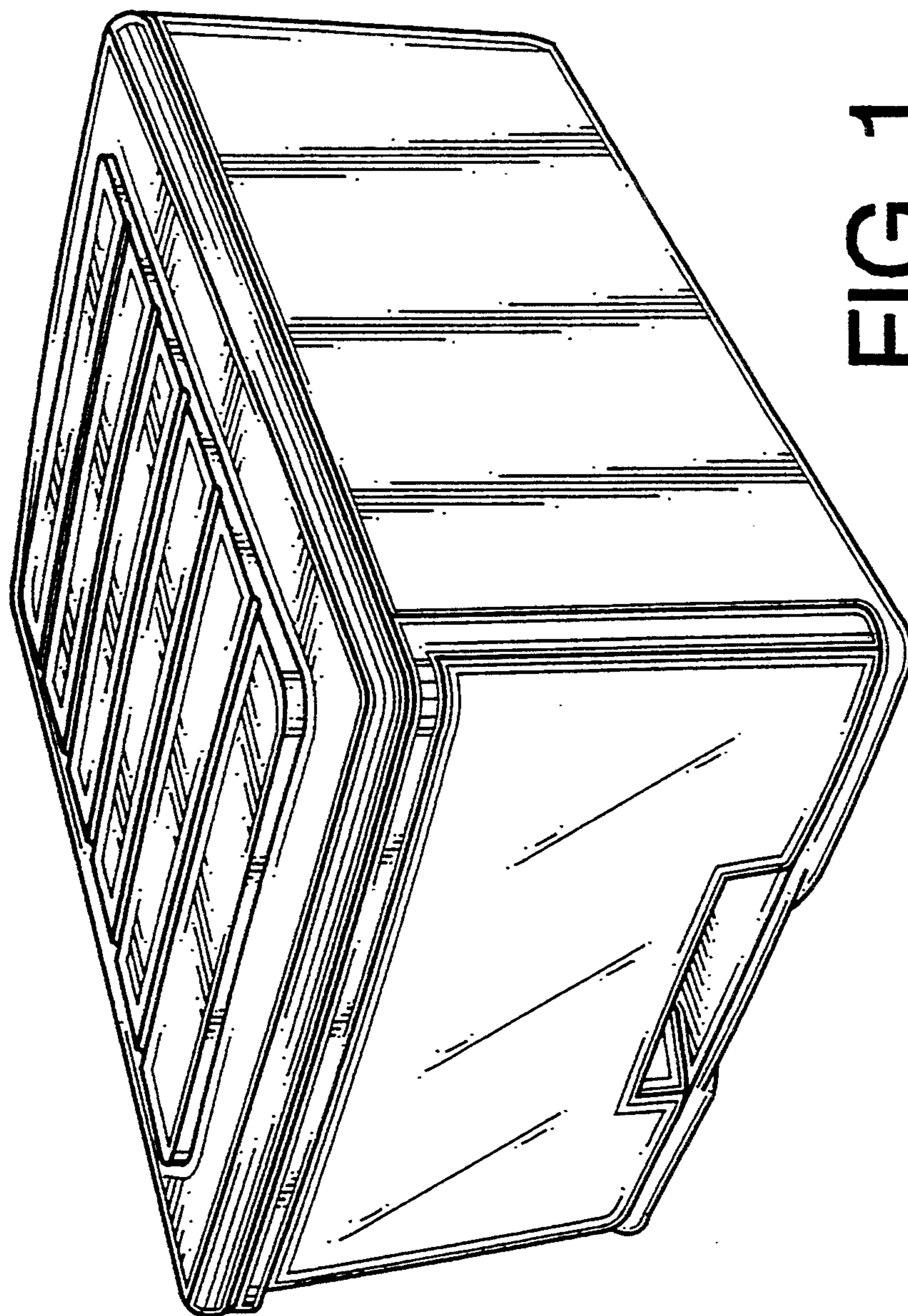


FIG. 1

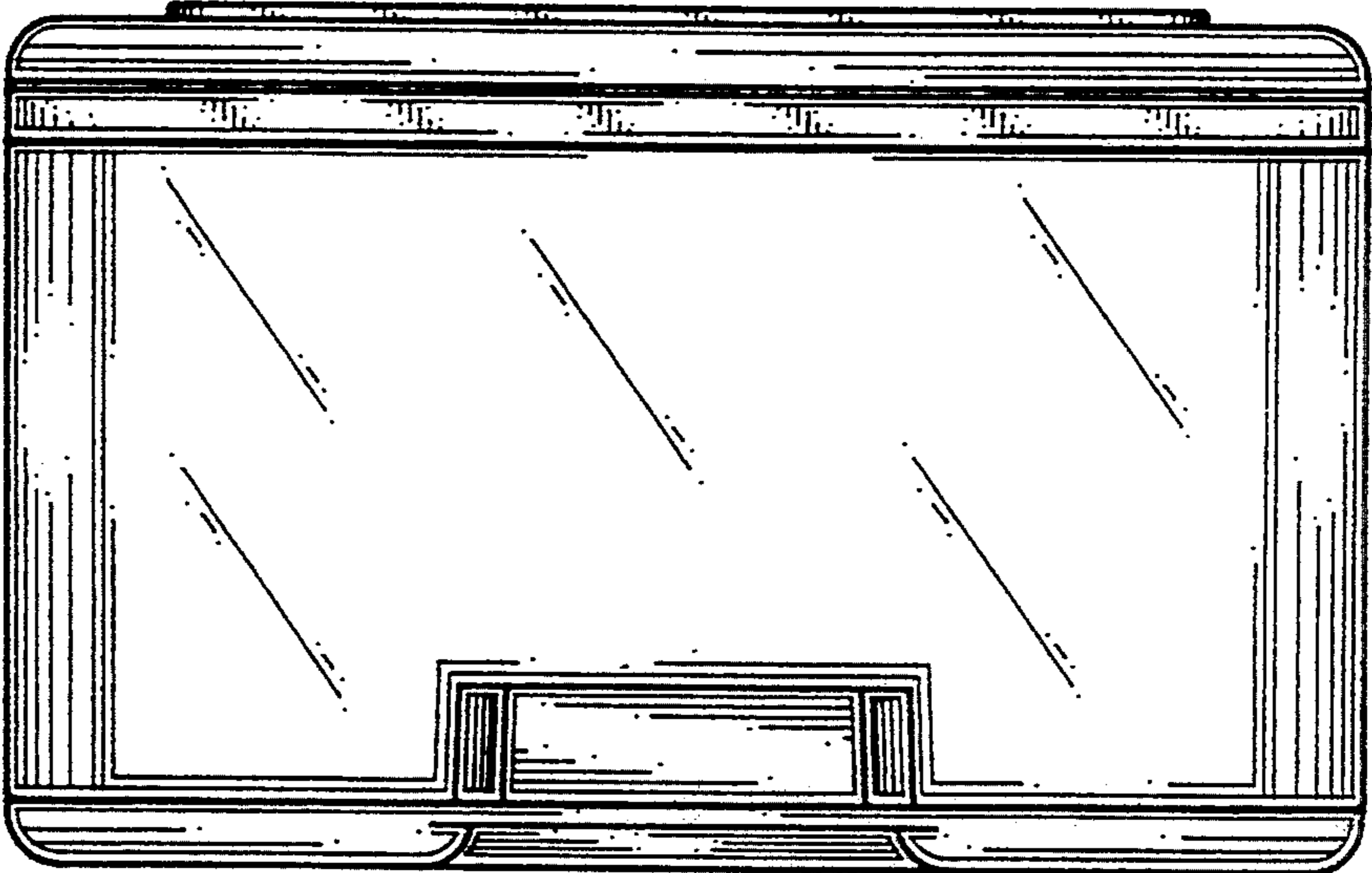


FIG. 2

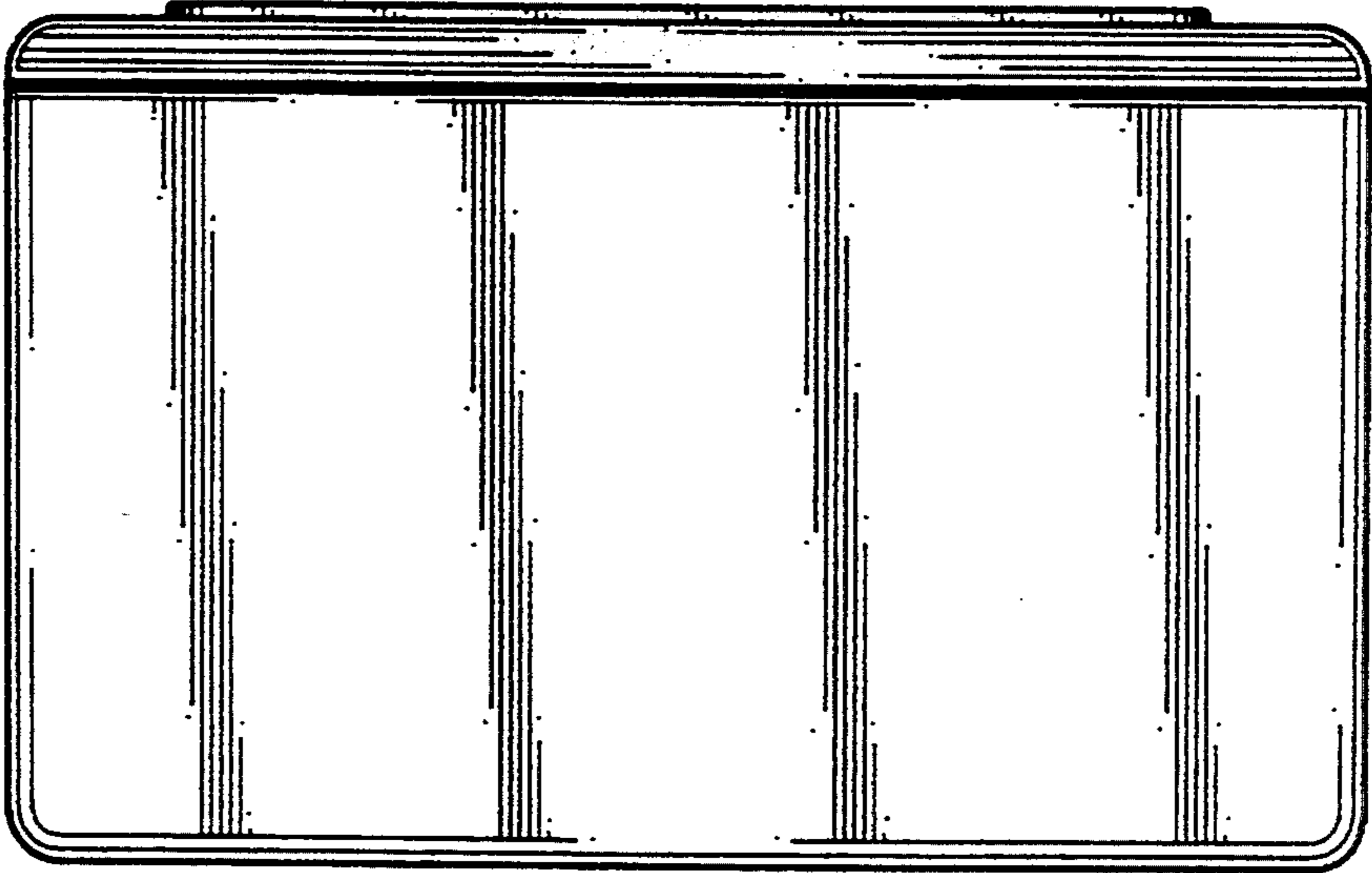


FIG. 3

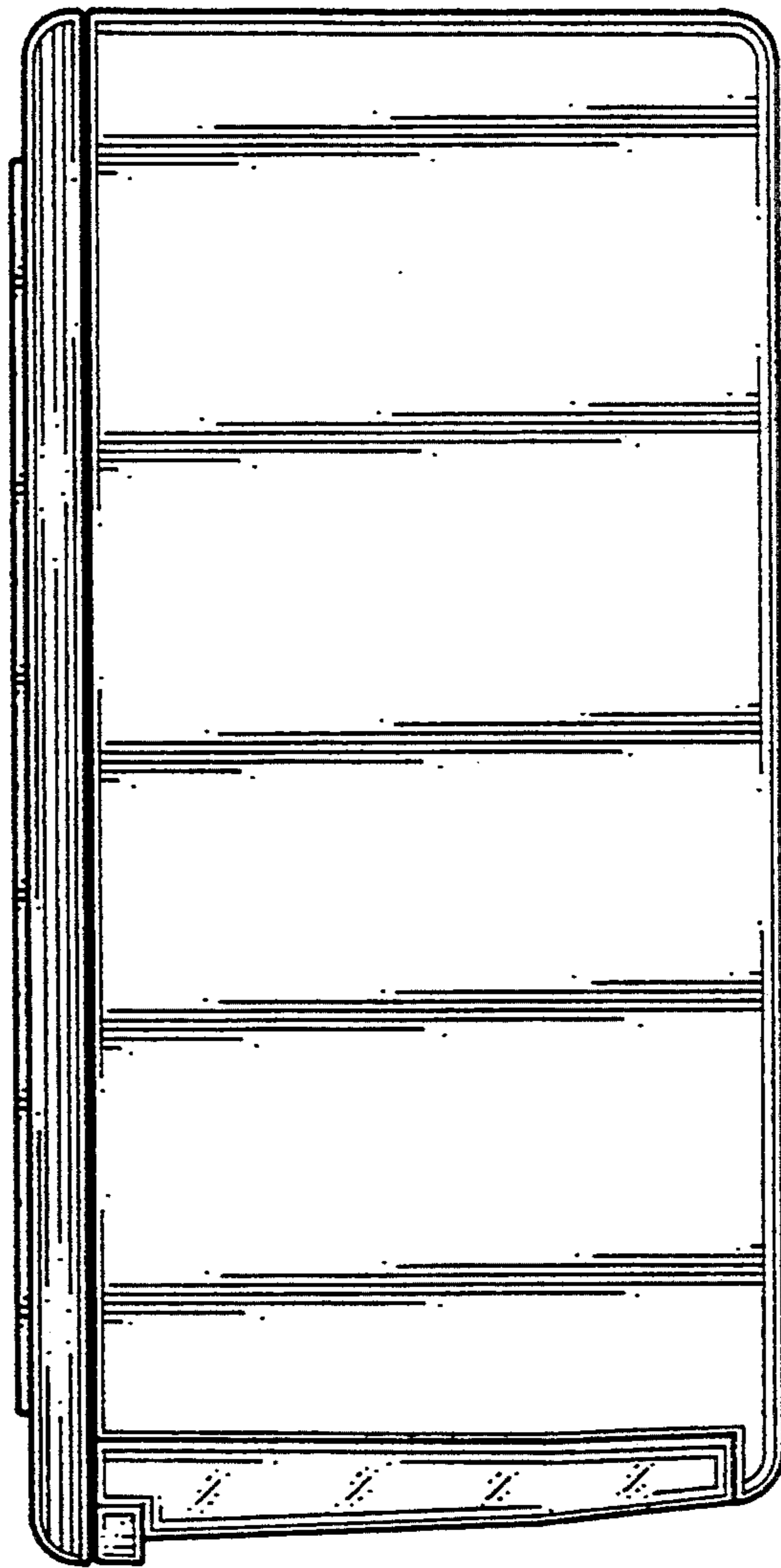


FIG. 4

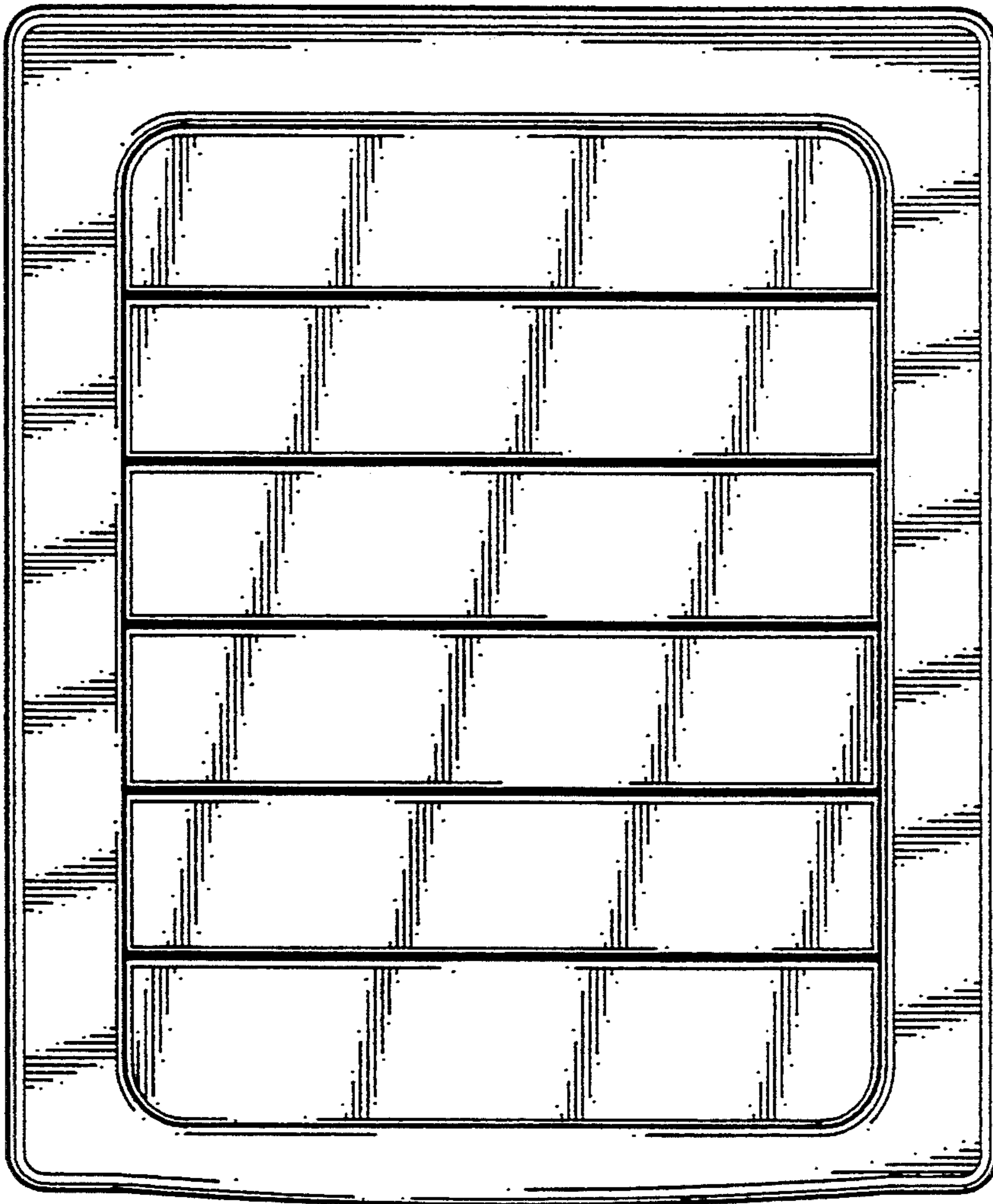


FIG. 5

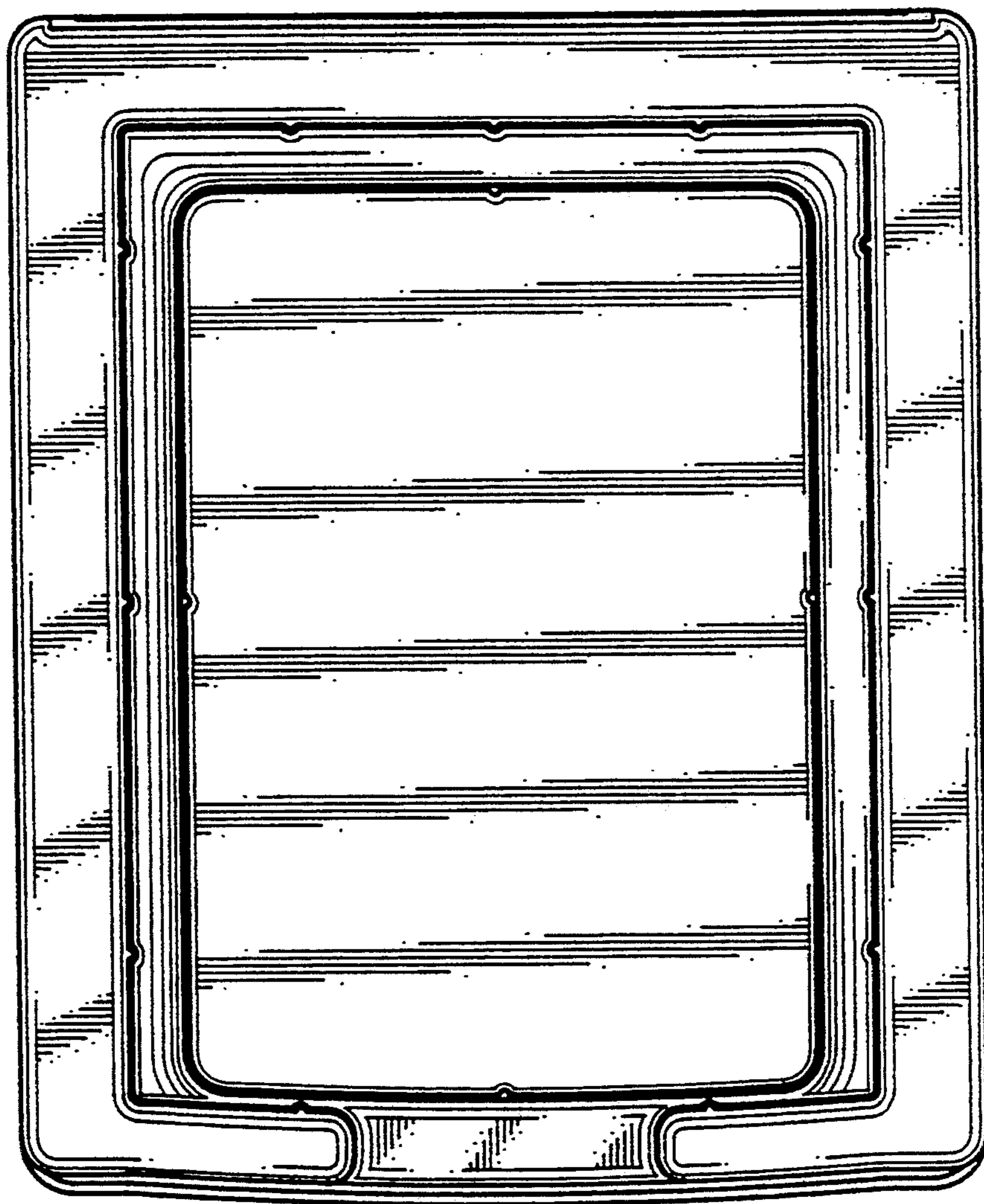


FIG. 6