



US00D360775S

United States Patent [19]

[11] Patent Number: **Des. 360,775**

Karkoska et al.

[45] Date of Patent: **** Aug. 1, 1995**

[54] **BED WITH PRIVACY DIVIDER**

4,953,246 9/1990 Matthews 5/8 X

[76] Inventors: **Carol W. Karkoska; Dennis Karkoska**, both of 9501 N. Sahara #1251, Las Vegas, Nev. 89117

FOREIGN PATENT DOCUMENTS

931478 7/1946 France 5/8

[**] Term: **14 Years**

Primary Examiner—Janice Seeger
Attorney, Agent, or Firm—Terry M. Gernstein

[21] Appl. No.: **19,851**

[57] CLAIM

[22] Filed: **Mar. 14, 1994**

The ornamental design for a bed with privacy divider, as shown and described.

[52] U.S. Cl. **D6/383; D6/335**

[58] Field of Search **D6/382, 383, 387, 388, D6/390-395, 505-508, 335, 336; 5/8, 9.1, 53.1**

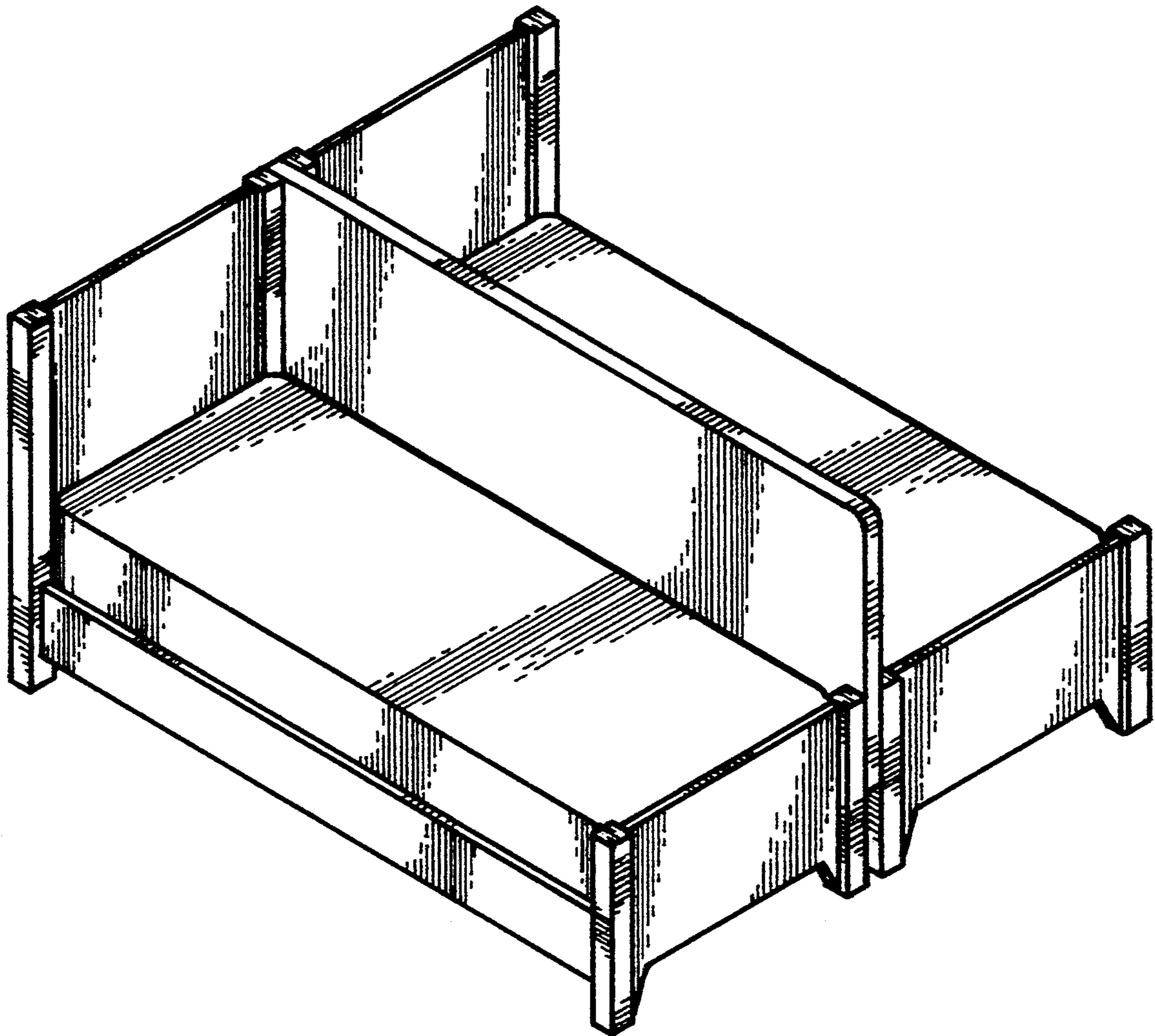
DESCRIPTION

[56] References Cited

U.S. PATENT DOCUMENTS

D. 181,771	12/1957	Wilson	D6/335
544,630	8/1895	Sherer	5/8
2,556,913	6/1951	Gilbert	.	
2,563,570	8/1951	Williams	.	
4,591,693	5/1986	Pike	.	

FIG. 1 is a front, top and side perspective view of the bed with privacy divider showing our new design; FIG. 2 is a front elevational view thereof; FIG. 3 is a rear elevational view thereof; FIG. 4 is a side elevational view thereof, the side opposite being a mirror image of the side shown in FIG. 4; FIG. 5 is a top plan view thereof; and, FIG. 6 is a bottom plan view thereof.



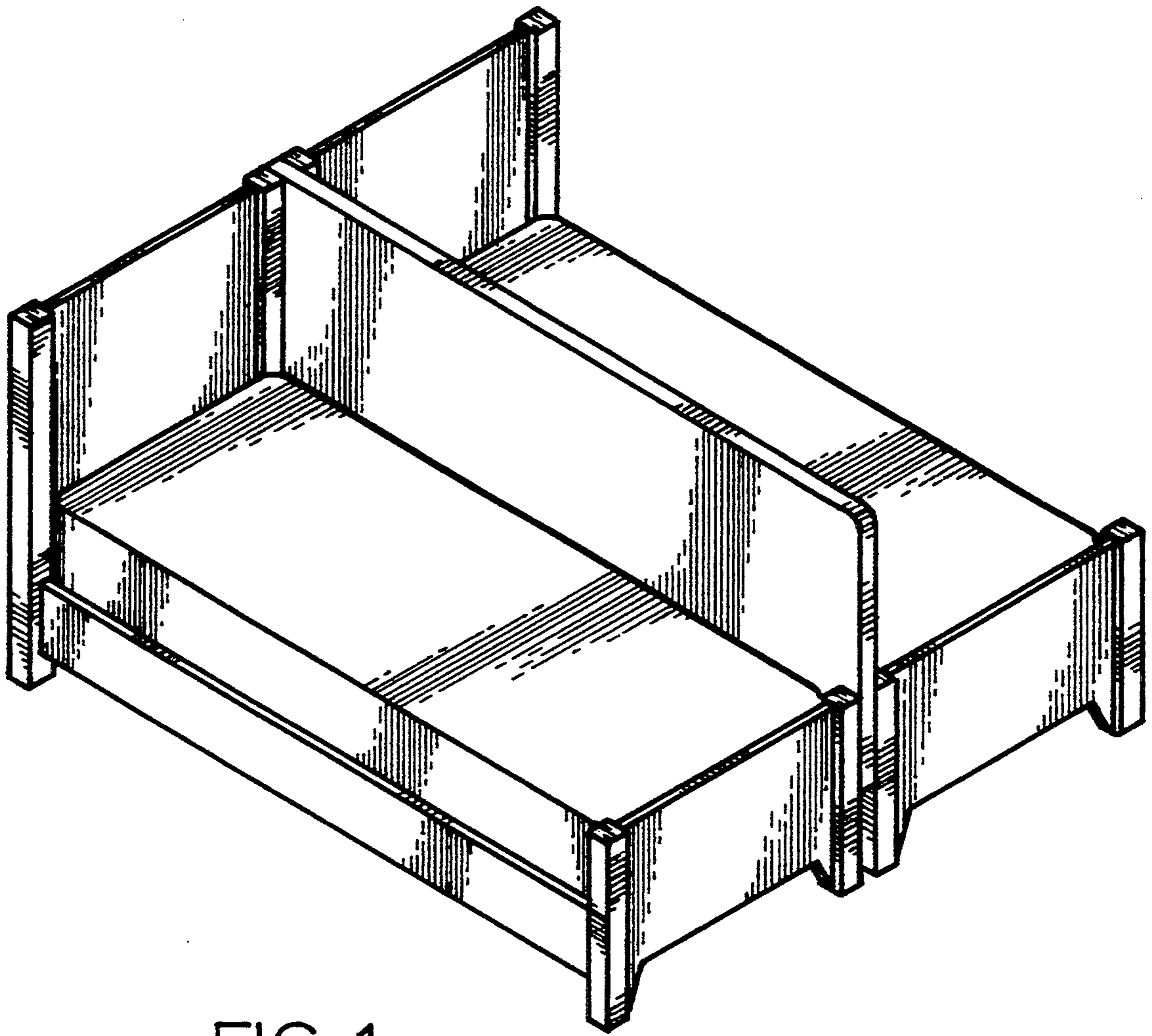


FIG. 1

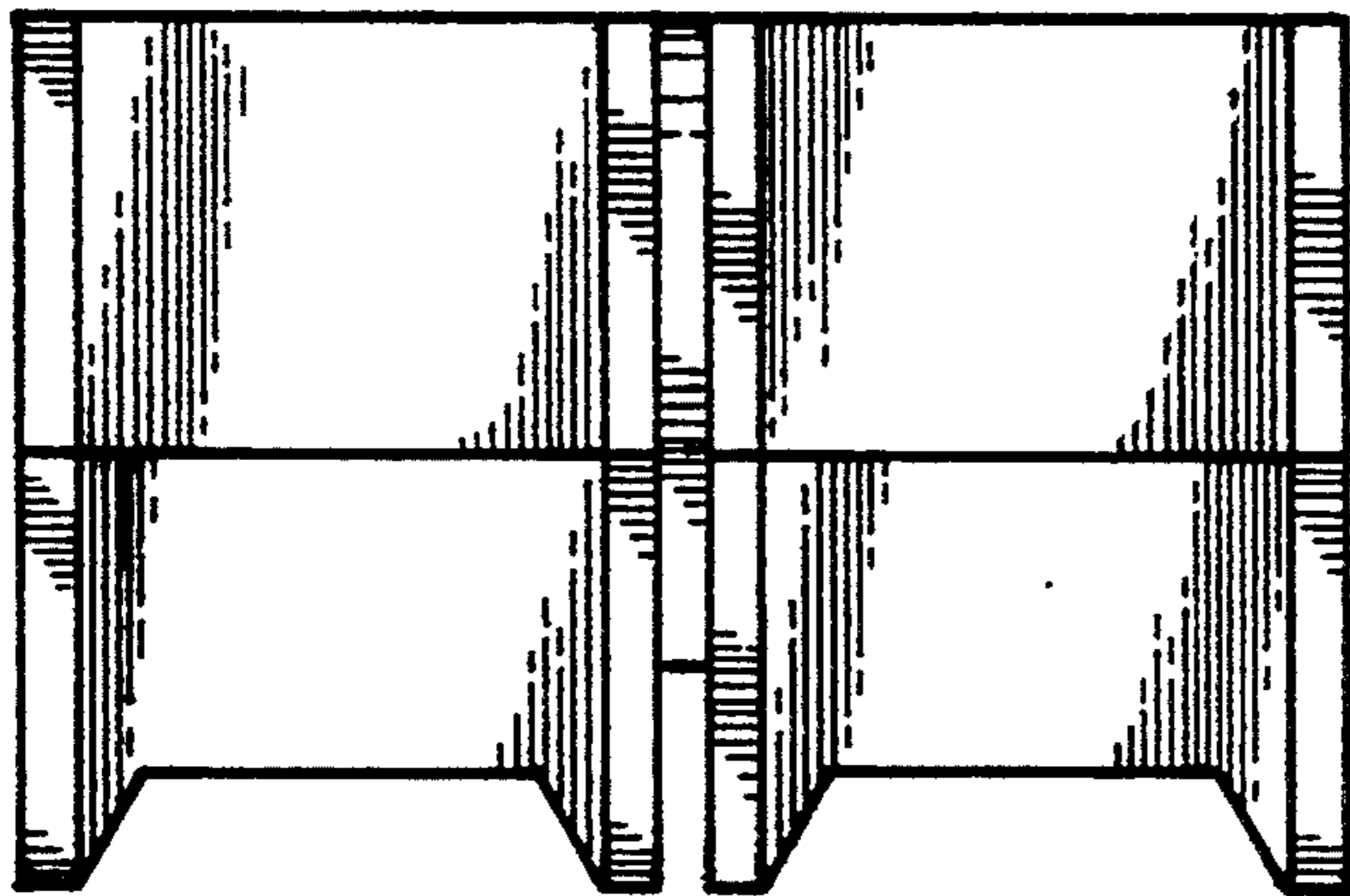


FIG. 2

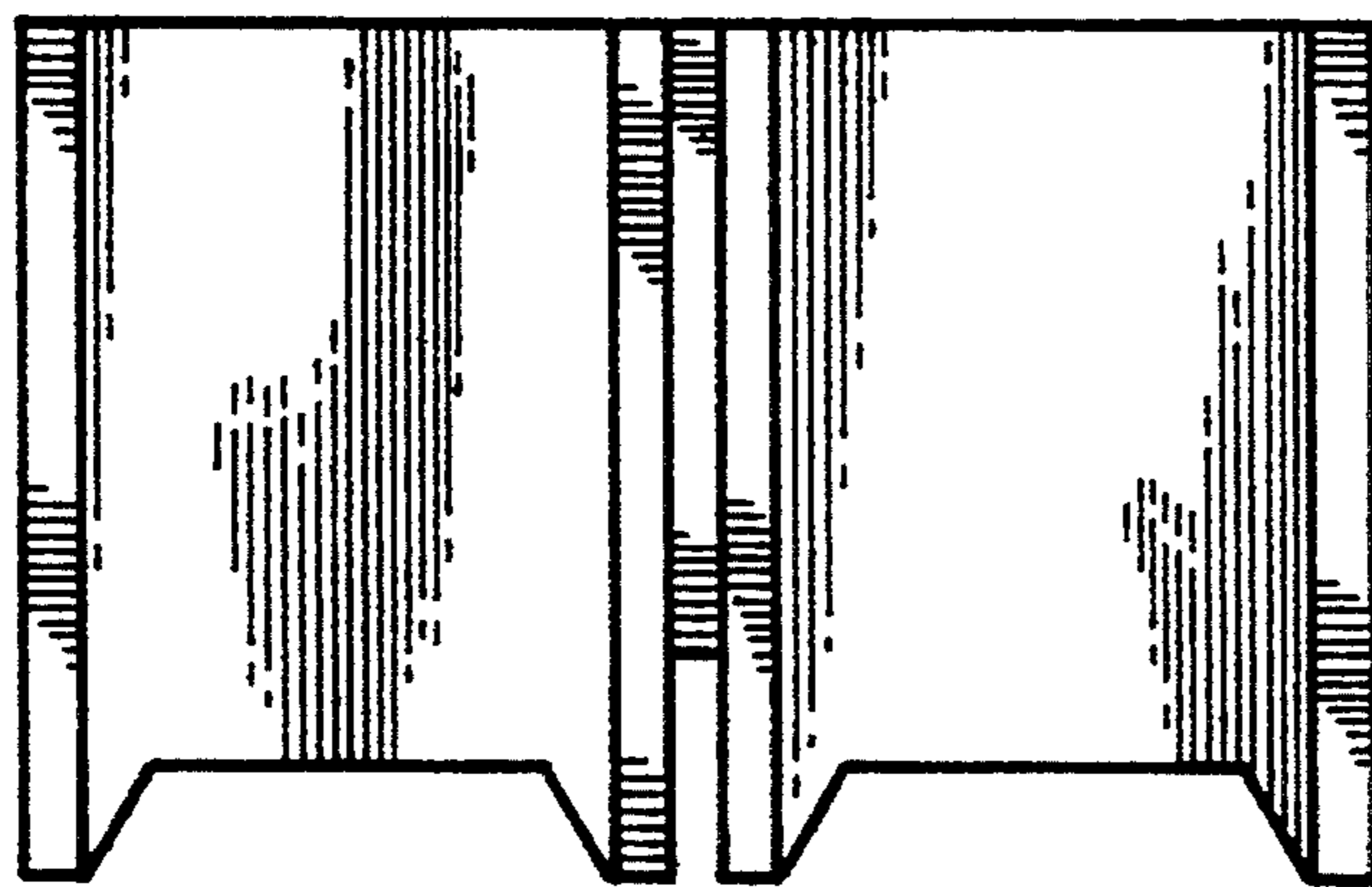


FIG. 3

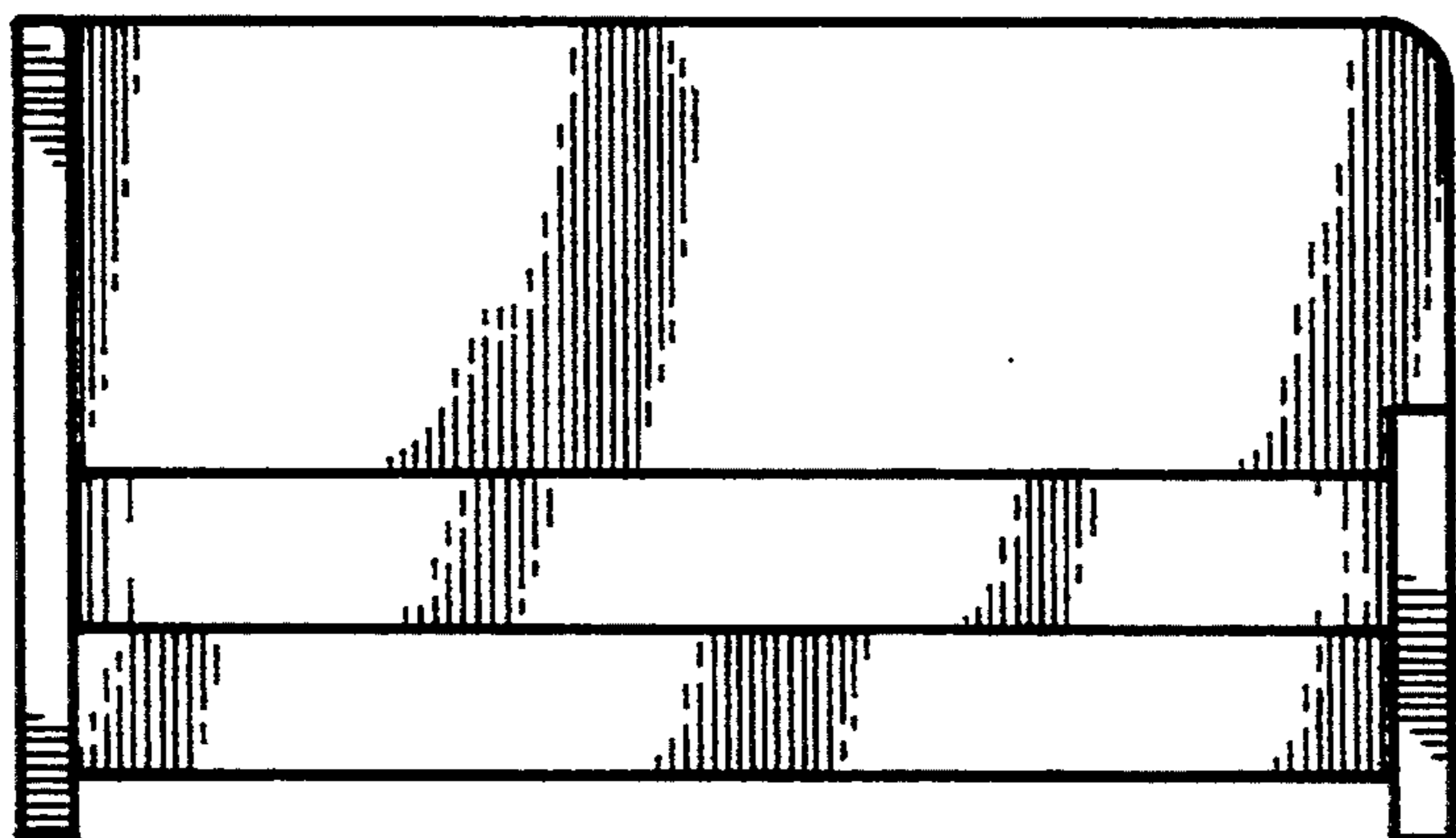


FIG. 4

FIG. 5

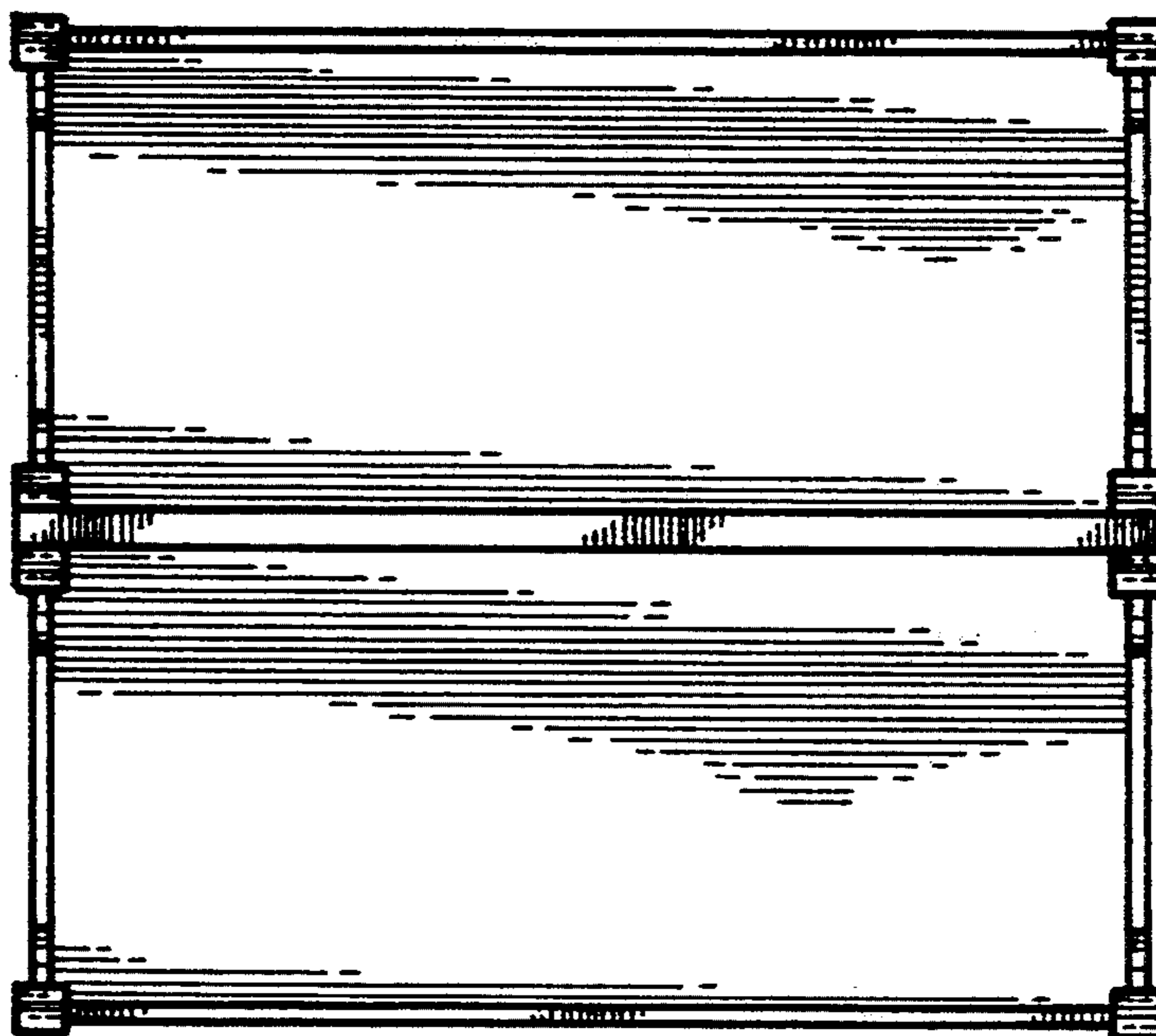
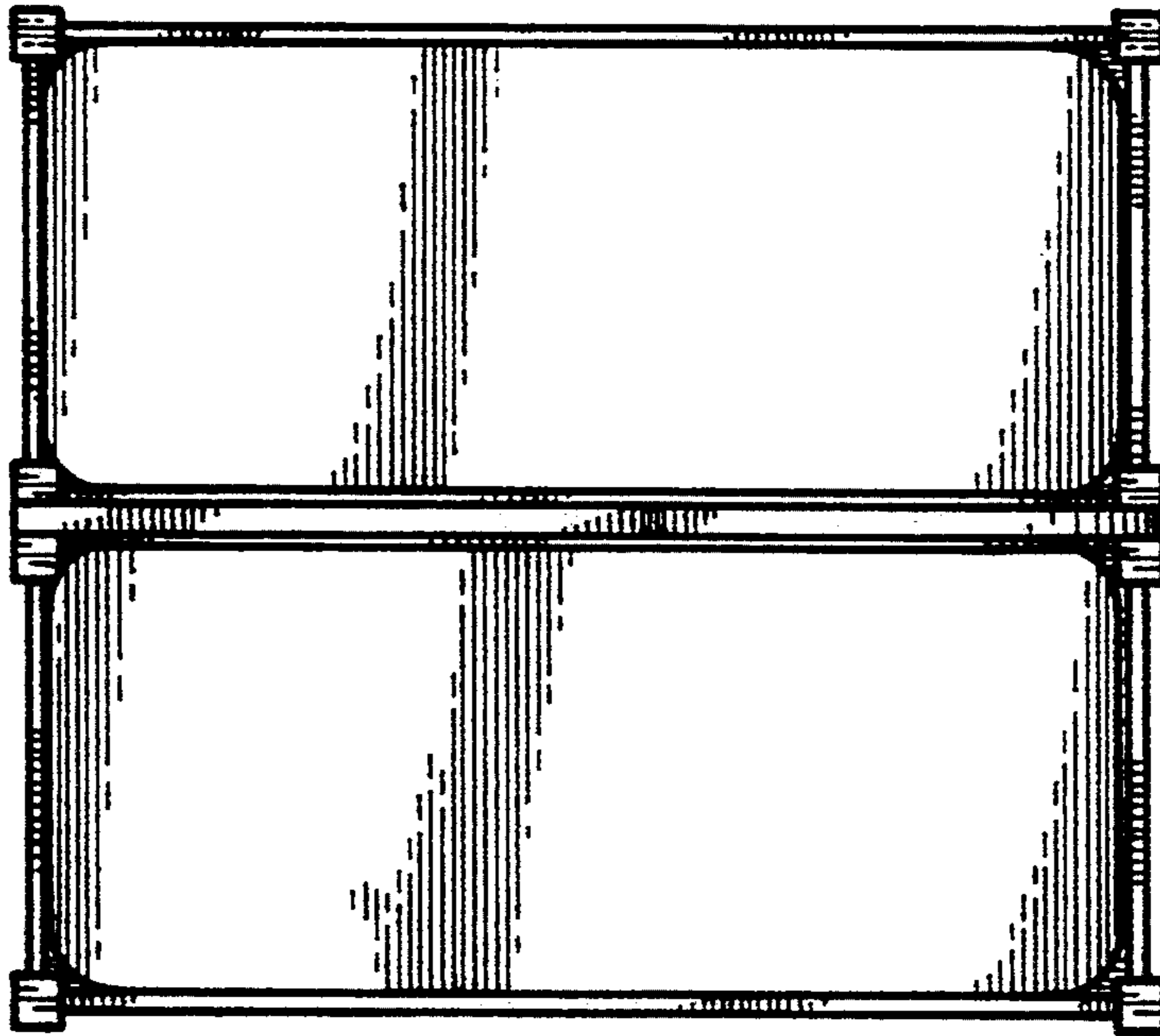


FIG. 6