



US00D360768S

United States Patent [19]

Hwang et al.

[11] Patent Number: **Des. 360,768**

[45] Date of Patent: **** Aug. 1, 1995**

[54] **PORTABLE SEAT**
[76] Inventors: **Phillip Hwang; Lisa Hwang**, both of
Rm. 6A, No. 261, Nanking East Rd.,
Sec. 3, Taipei, Taiwan

3,093,407 6/1963 Wilson D6/368 X
3,120,406 2/1964 Shelton D6/368 X
4,824,171 4/1989 Hollingsworth D6/368 X
5,100,203 3/1992 Novak 297/380 X
5,190,350 3/1993 Hwang et al. 297/380

[**] Term: **14 Years**

Primary Examiner—Alan P. Douglas
Assistant Examiner—Gary D. Watson
Attorney, Agent, or Firm—Bacon & Thomas

[21] Appl. No.: **26,690**

[22] Filed: **Aug. 3, 1994**

[52] U.S. Cl. **D6/368; D6/335**

[57] **CLAIM**

[58] **Field of Search** D6/334, 335, 336, 368,
D6/374, 375, 500, 501, 502; 297/183.5, 188.04,
380, 382

The ornamental design for a portable seat, as shown and described.

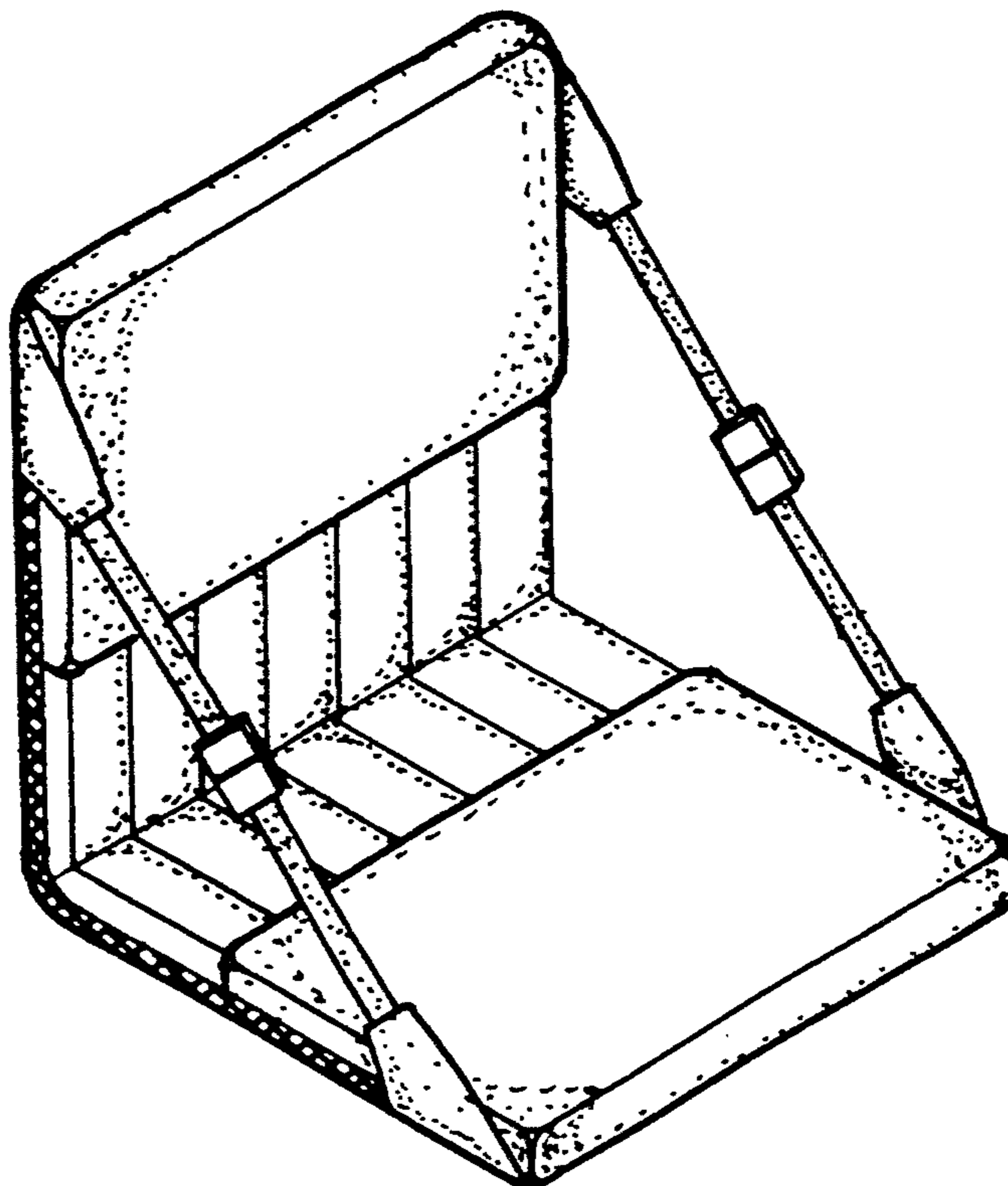
DESCRIPTION

[56] **References Cited**

U.S. PATENT DOCUMENTS

D. 275,909	10/1984	Spiegelman	D6/335 X
D. 329,148	9/1992	Hwang et al.	D6/368
D. 337,000	7/1993	Williams	D6/368
2,001,252	5/1935	Johnson	297/380 X
2,239,669	4/1941	Blake	D6/368 X
2,457,978	1/1949	Curran	297/380 X

FIG. 1 is a left front perspective view of a portable seat showing our new design;
FIG. 2 is a front elevational view thereof;
FIG. 3 is a rear elevational view thereof;
FIG. 4 is a left side elevational view thereof;
FIG. 5 is a right side elevational view thereof;
FIG. 6 is a top plan view thereof; and,
FIG. 7 is a bottom plan view thereof.



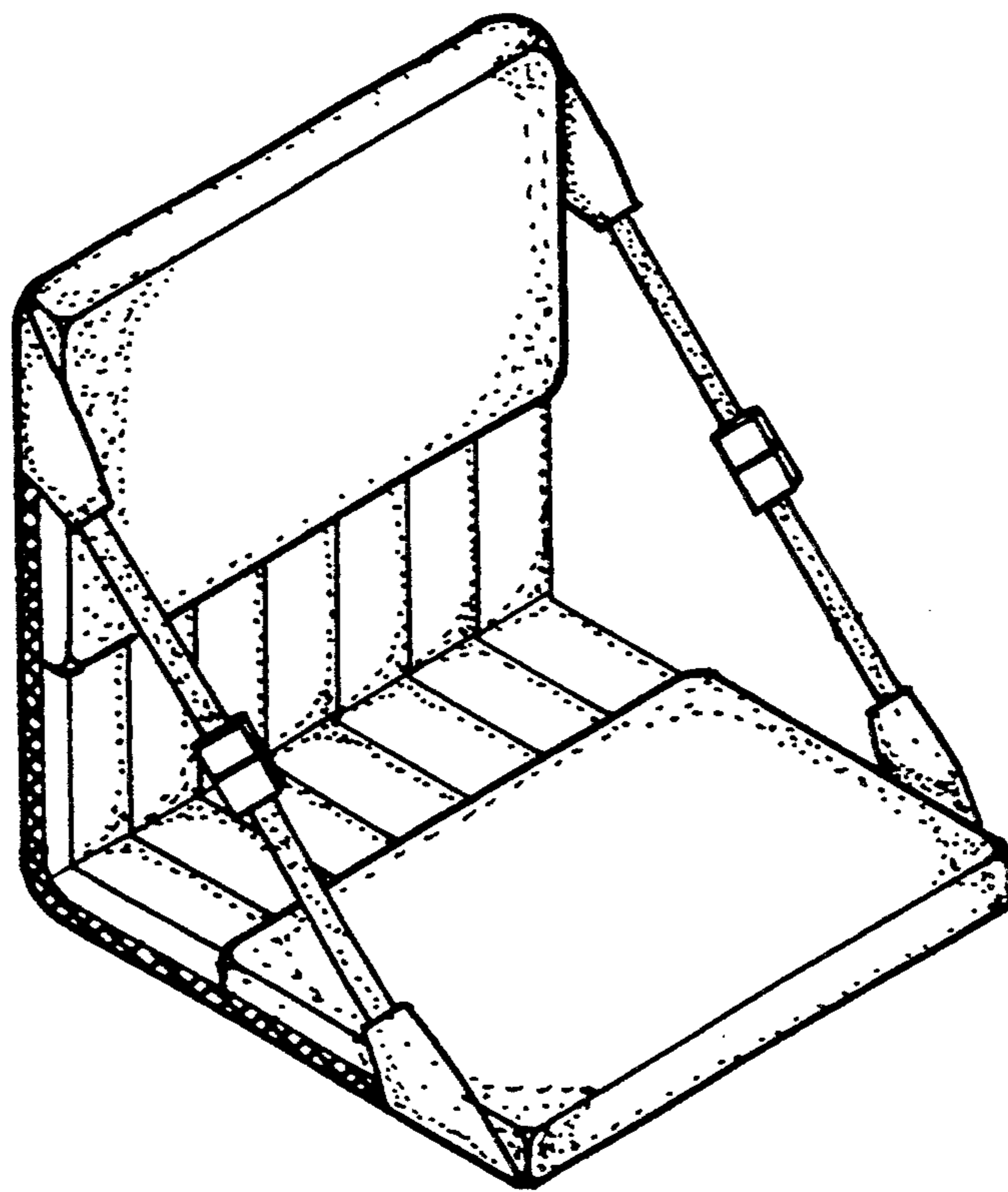


FIG. 1

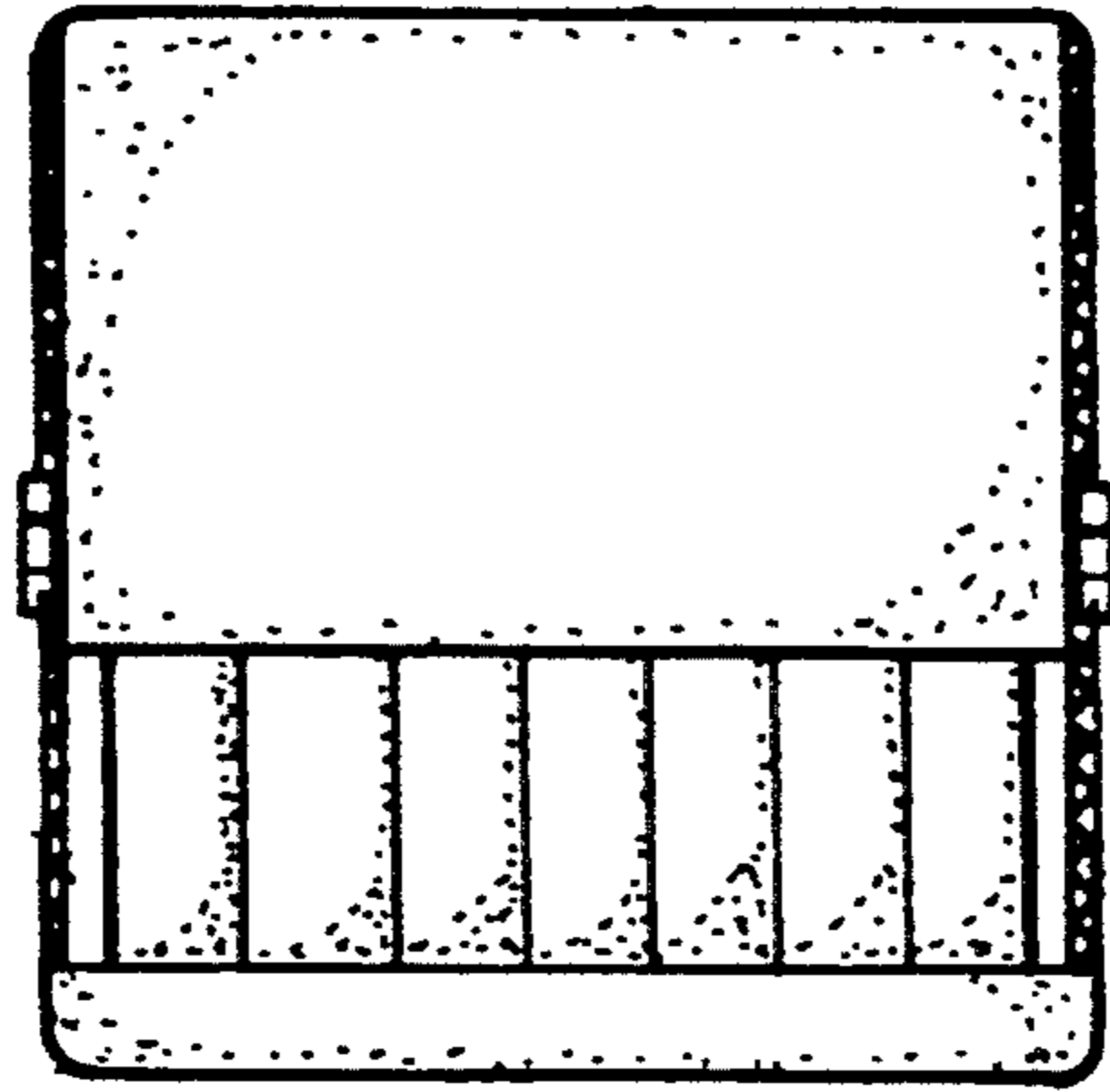


FIG. 2

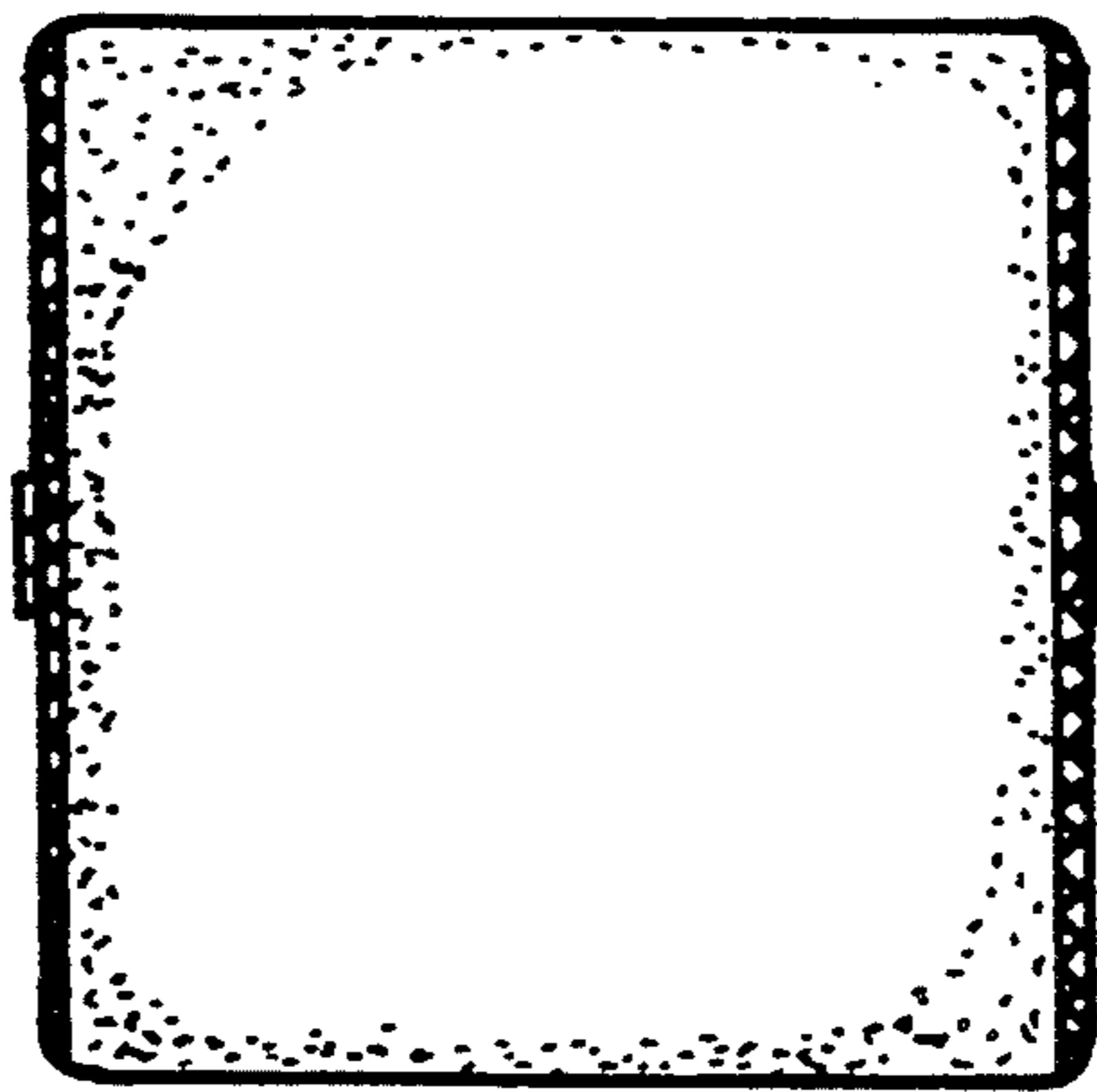


FIG. 3

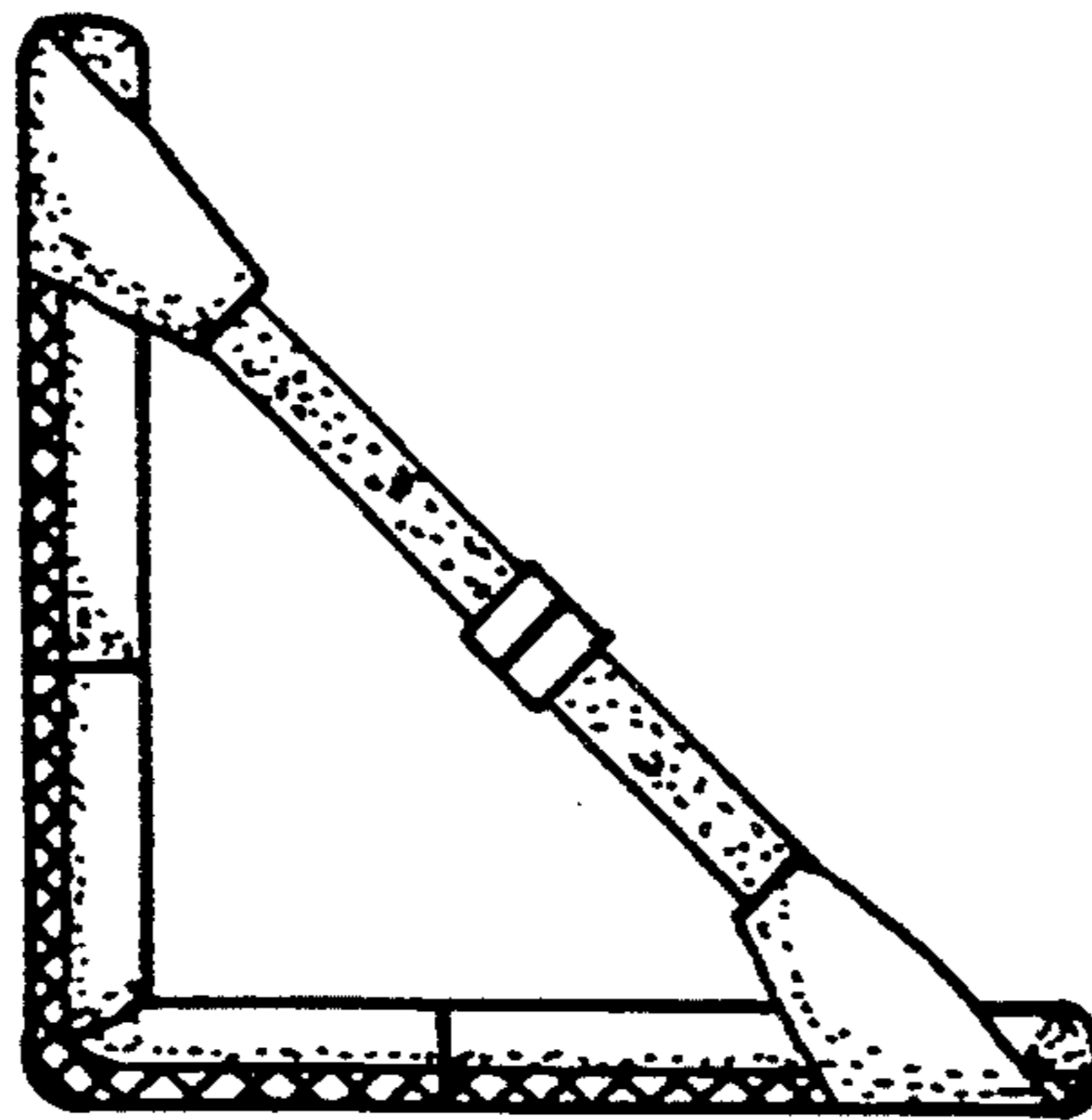


FIG. 4

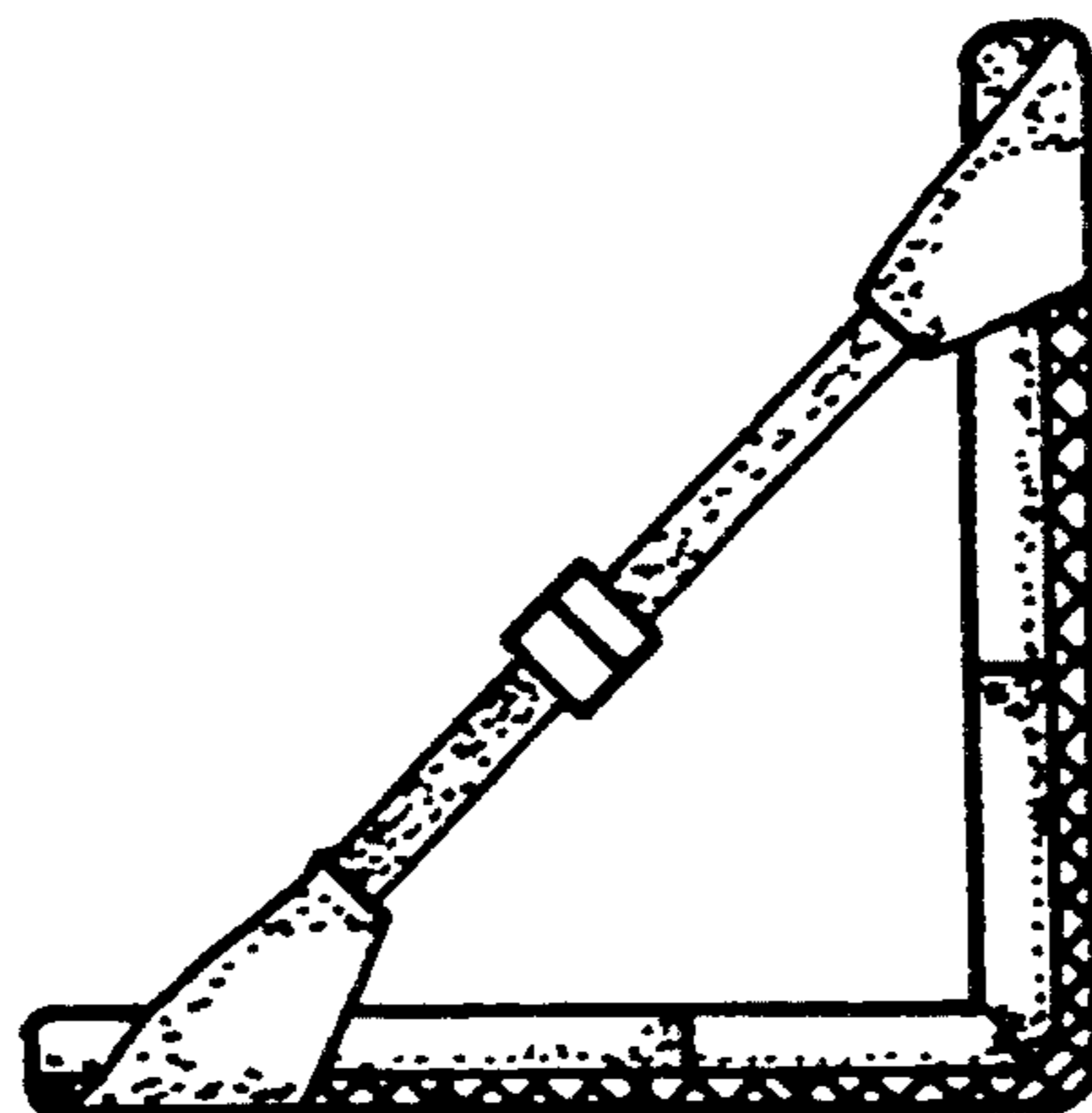


FIG. 5

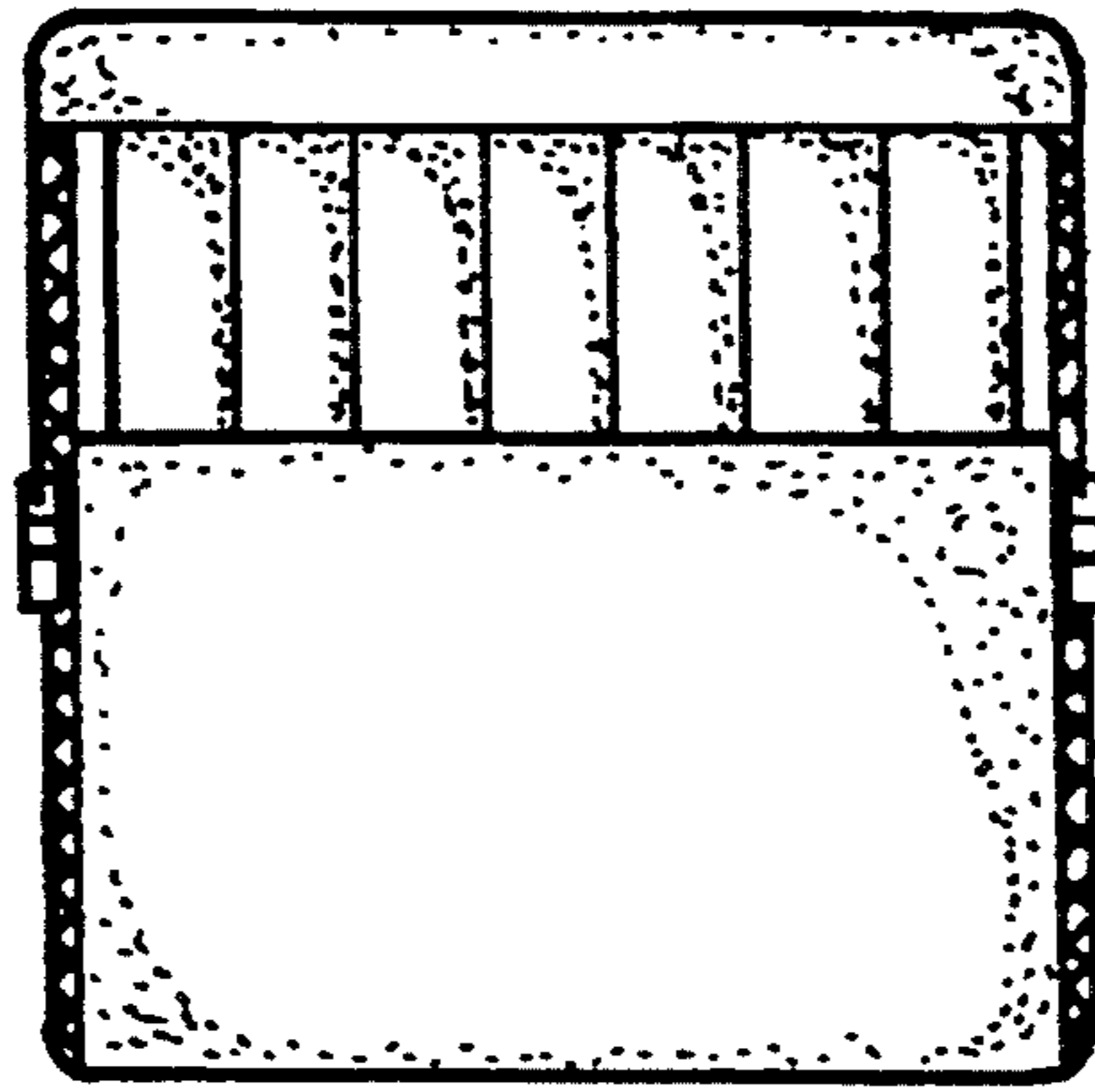


FIG. 6

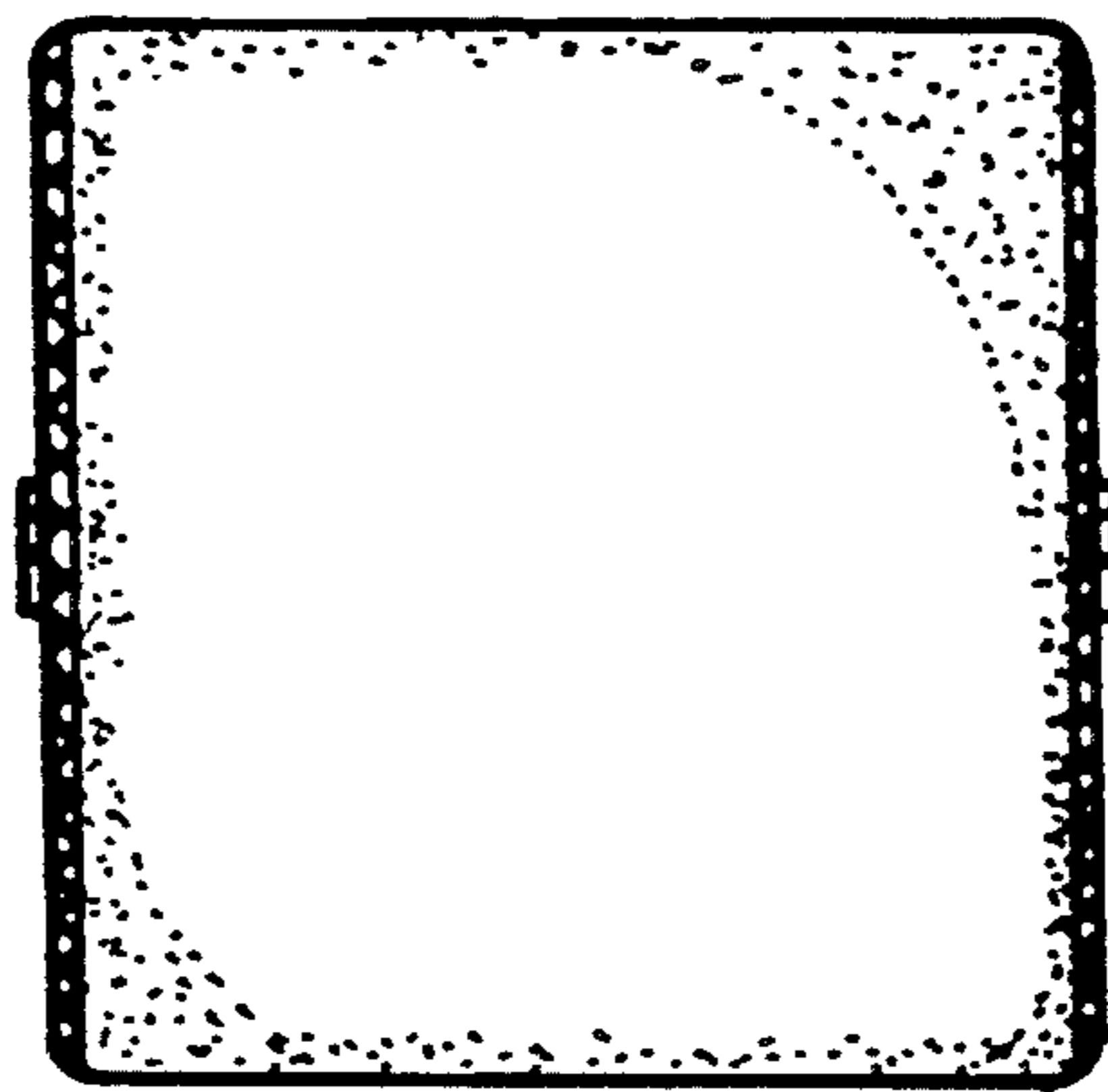


FIG. 7.