



US00D360765S

United States Patent [19]
Te'Kannon

[11] **Patent Number: Des. 360,765**

[45] **Date of Patent: ** Aug. 1, 1995**

[54] **CORNER PIECE PARTICULARLY FOR REVERSIBLE FRAMES**

[76] **Inventor: David N. Te'Kannon**, 13, chemin du Pont-de-ville, 1224 Chêne-Bougeries, Switzerland

[**] **Term: 14 Years**

[21] **Appl. No.: 29,616**

[22] **Filed: Oct. 12, 1994**

[30] **Foreign Application Priority Data**

Apr. 12, 1994 [XH] Hague Agreement DMA/002484

[52] **U.S. Cl.** D6/300; D13/183

[58] **Field of Search** D25/102, 61; D6/300; 40/152, 159.1; D13/183; 248/206.5, 309.4

[56] **References Cited**

U.S. PATENT DOCUMENTS

D. 209,587	12/1967	Singer	D13/183
D. 294,888	3/1988	Kanzanowski	D6/300
4,960,258	10/1990	Stocker et al.	248/206.5
4,974,352	12/1990	Chen	40/152
5,255,458	10/1993	Piel	40/159.1

Primary Examiner—Doris Clark
Attorney, Agent, or Firm—Young & Thompson

[57] **CLAIM**

The ornamental design for a corner piece particularly for reversible frames, as shown and described.

DESCRIPTION

FIG. 1 is a perspective view of the corner piece particularly for reversible frames;
FIG. 2 is a top plan view thereof;
FIG. 3 is a bottom plan view thereof; and,
FIG. 4 is a side elevation view thereof.

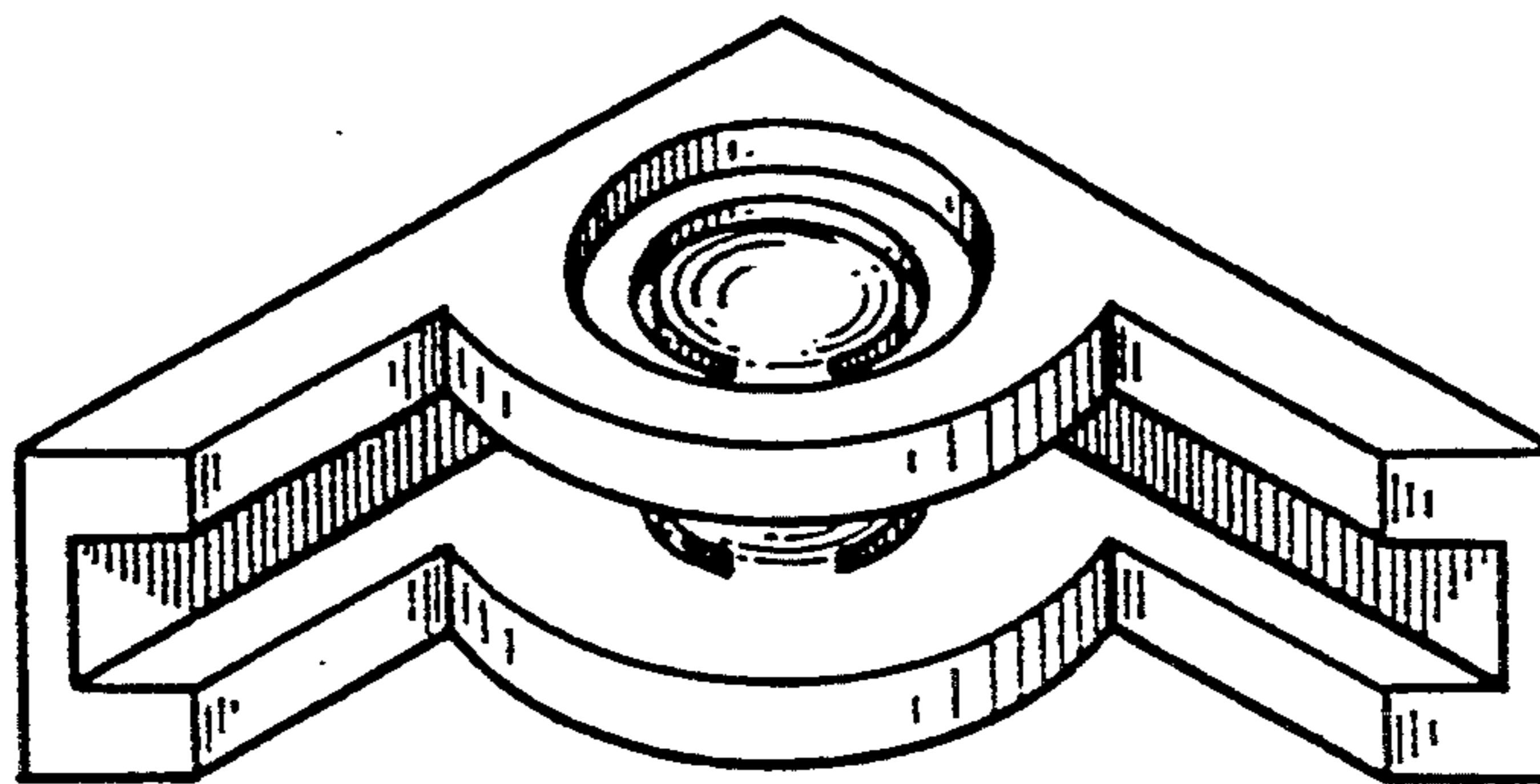


FIG. 1

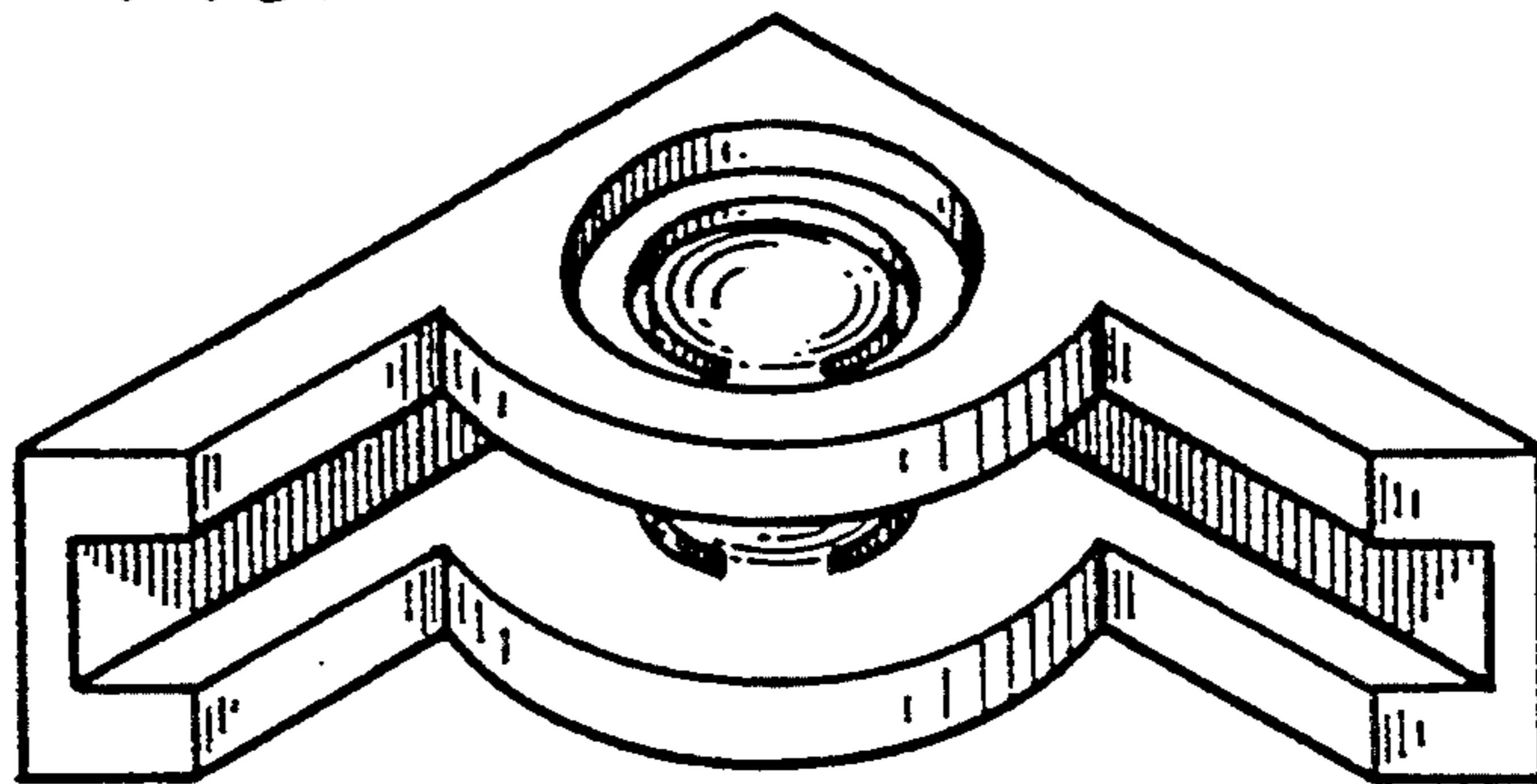


FIG. 2

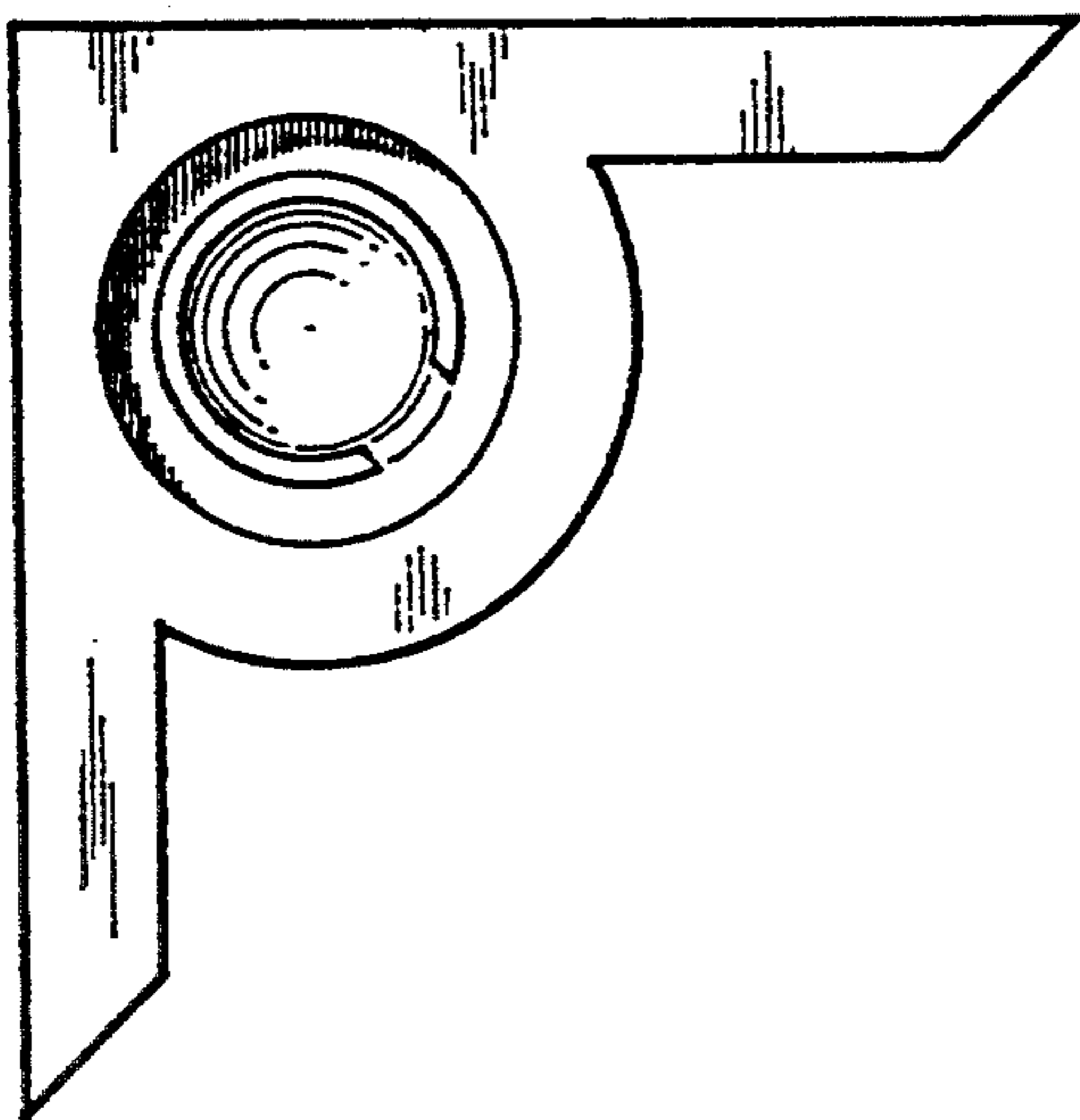


FIG. 3

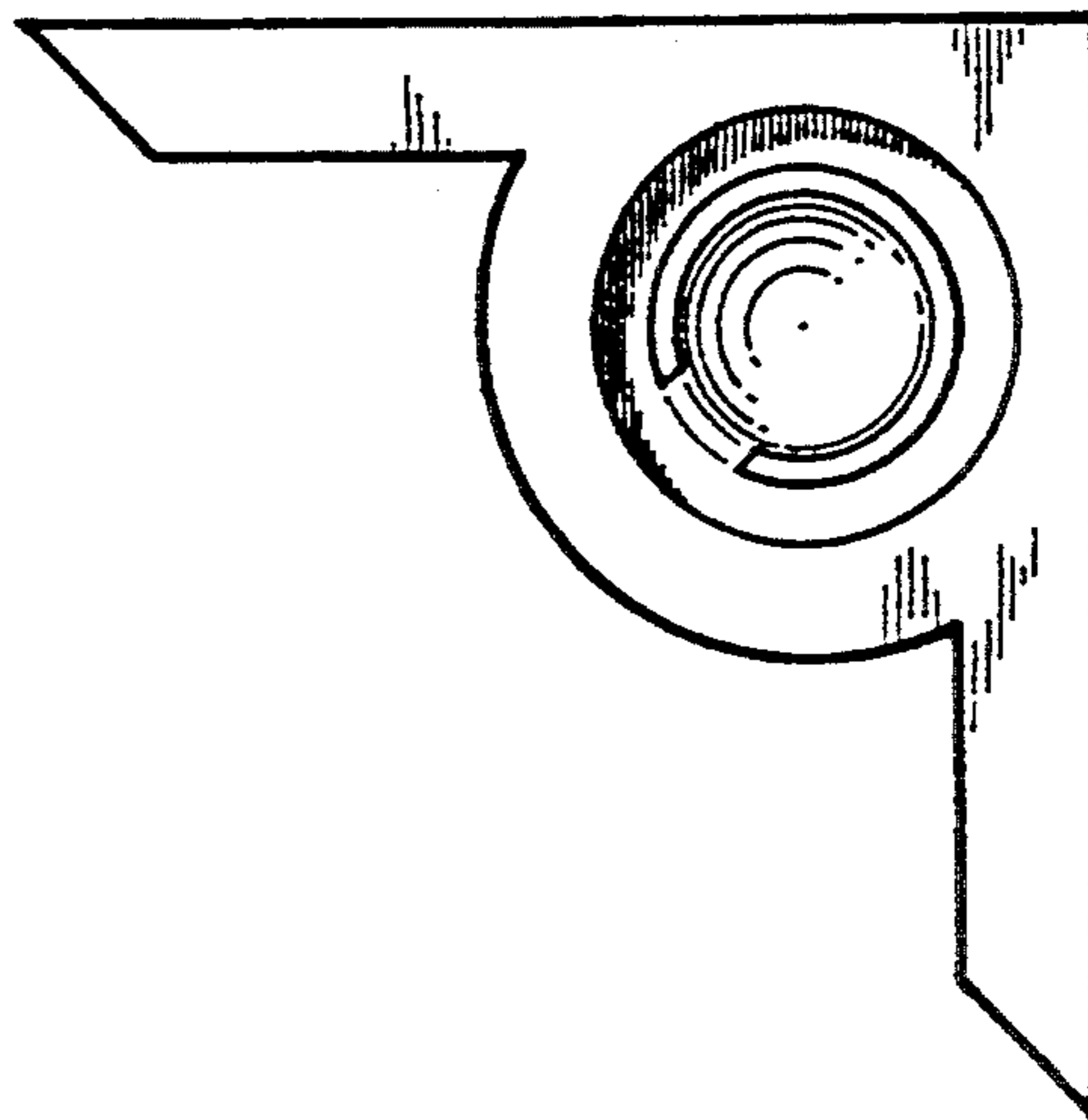


FIG. 4

