



US00D360757S

United States Patent [19]

[11] Patent Number: **Des. 360,757**

Snetting et al.

[45] Date of Patent: **** Aug. 1, 1995**

[54] **SPRAY PAINT GUN CARRYING CASE**

[75] Inventors: **Mark E. Snetting**, Eden Prairie;
Timothy D. Steinberg, Coon Rapids;
Paul A. Pilosi, Minneapolis, all of
Minn.

[73] Assignee: **Wagner Spray Tech Corporation**,
Minneapolis, Minn.

[**] Term: **14 Years**

[21] Appl. No.: **21,283**

[22] Filed: **Apr. 13, 1994**

[52] U.S. Cl. **D3/282; D3/276**

[58] Field of Search **D3/262, 260, 254, 272,**
D3/276, 281, 282, 291, 292, 294, 900; 190/18
A, 115, 900

[56] **References Cited**

U.S. PATENT DOCUMENTS

D. 183,990 11/1958 Lorenz D3/254

D. 234,273 2/1975 Wilson et al. D3/272
D. 286,466 11/1986 King et al. D3/281
D. 291,388 8/1987 Seguin D3/272
D. 318,373 7/1991 Uke et al. D3/292
4,743,038 5/1988 Myers et al. 190/18 A

Primary Examiner—Doris V. Coles
Attorney, Agent, or Firm—Faegre & Benson

[57] **CLAIM**

The ornamental design for a spray paing gun carrying case, as shown and described.

DESCRIPTION

FIG. 1 is a perspective view of the spray paint gun carrying case;
FIG. 2 is a front elevation view thereof;
FIG. 3 is a top plan view thereof;
FIG. 4 is a rear elevation view thereof;
FIG. 5 is a bottom plan view thereof; and,
FIG. 6 is a right side elevation view thereof with the left side elevation view being a mirror image thereof.

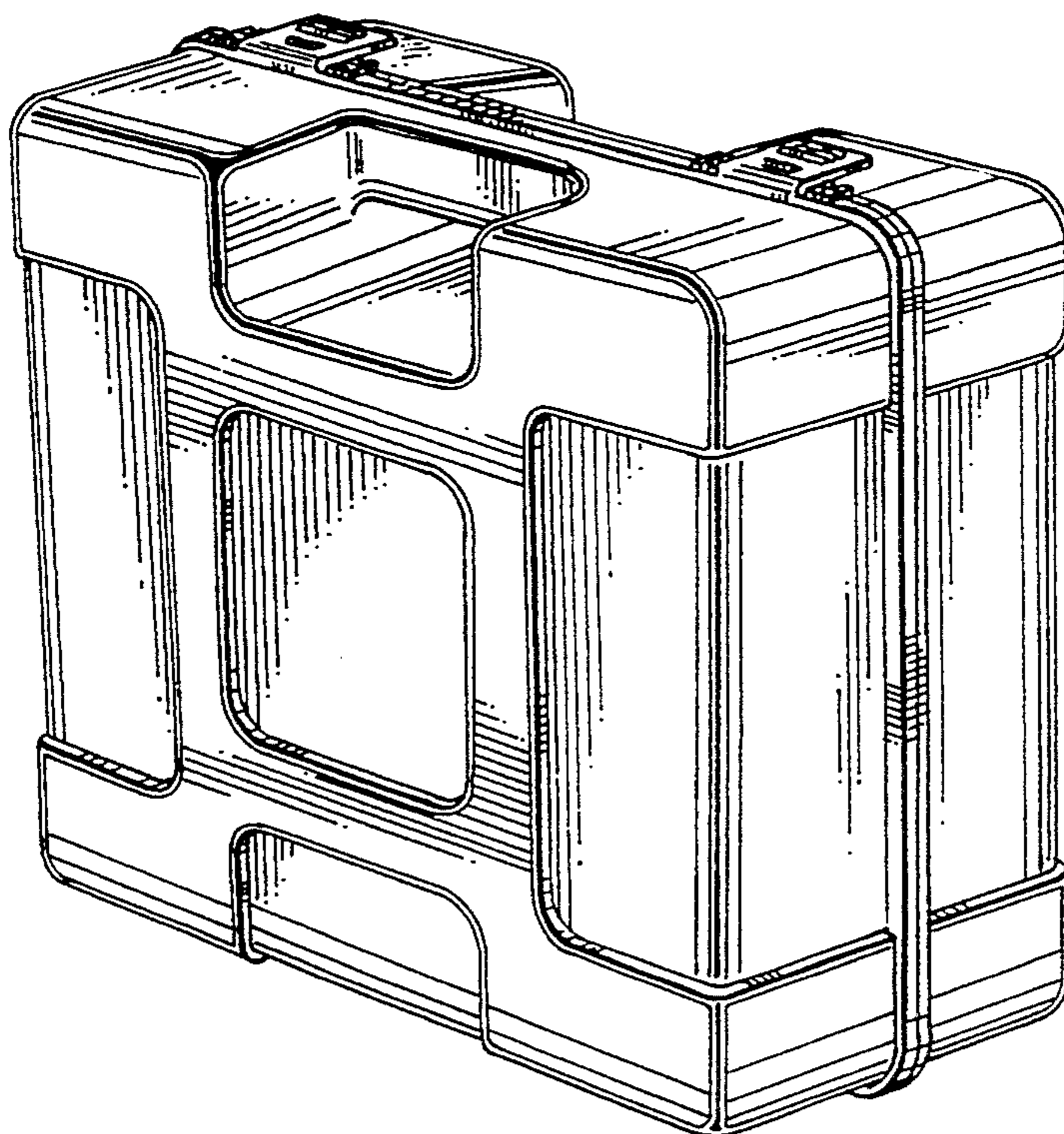


Fig. 1

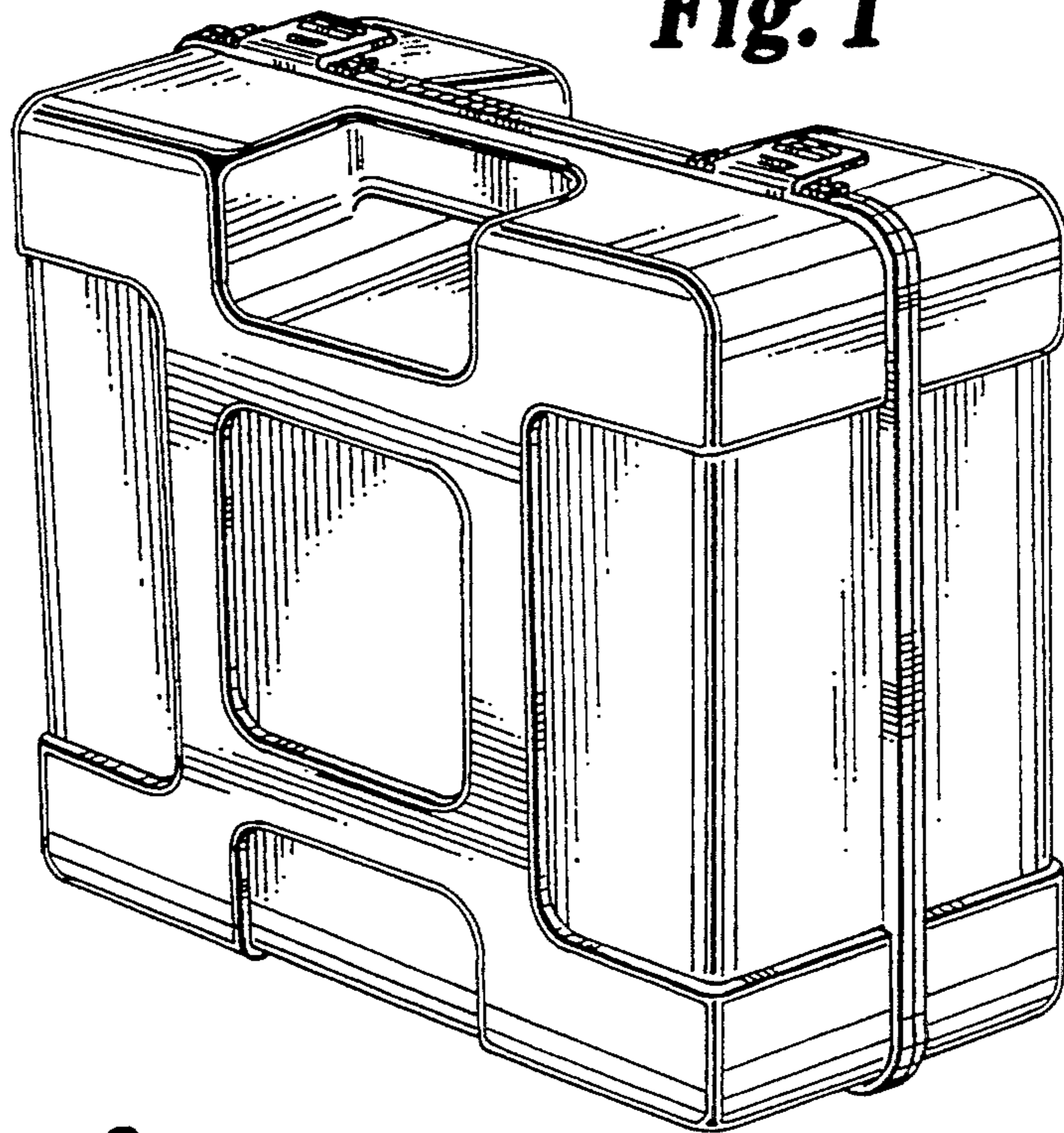


Fig. 2

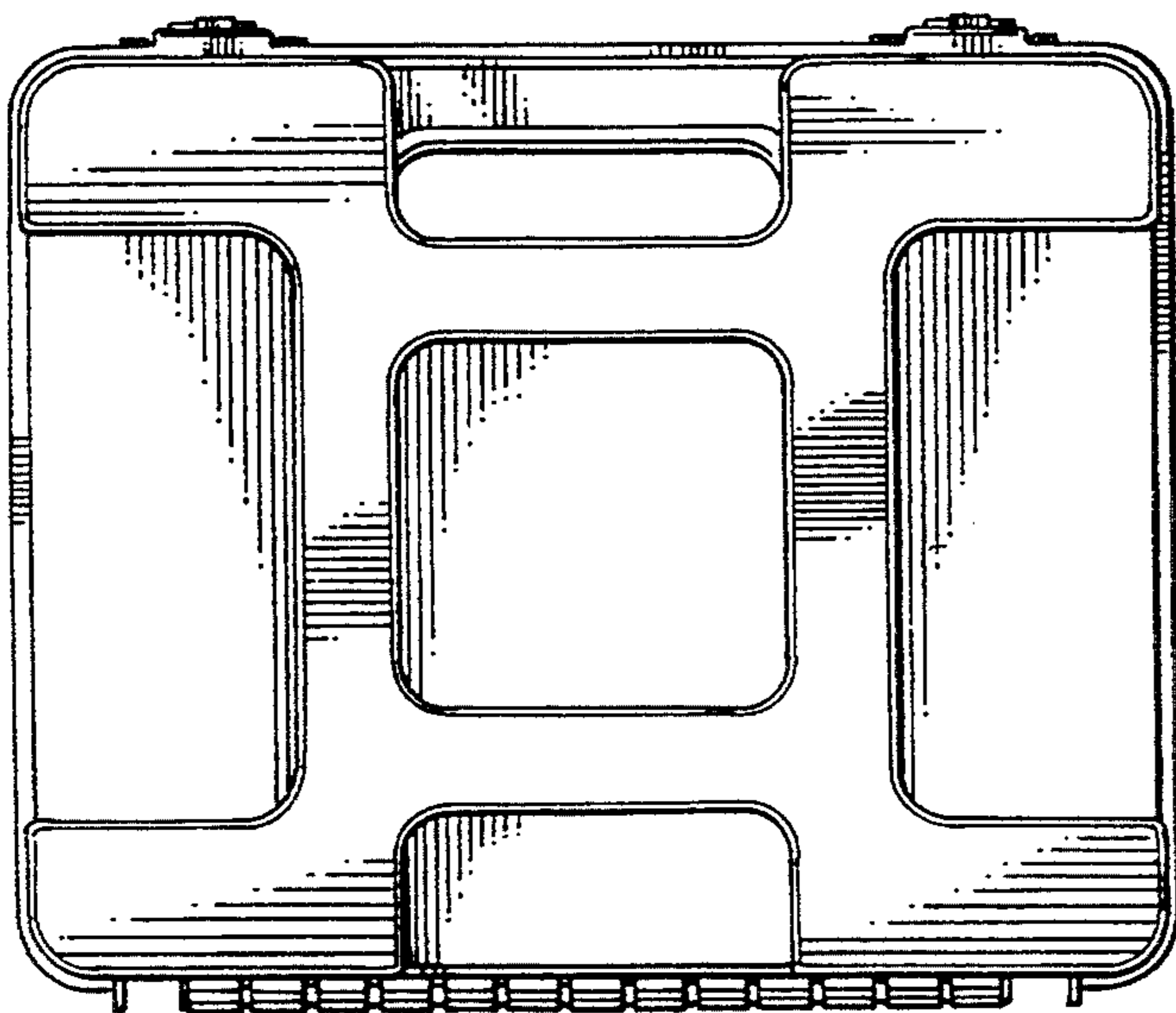


Fig. 3

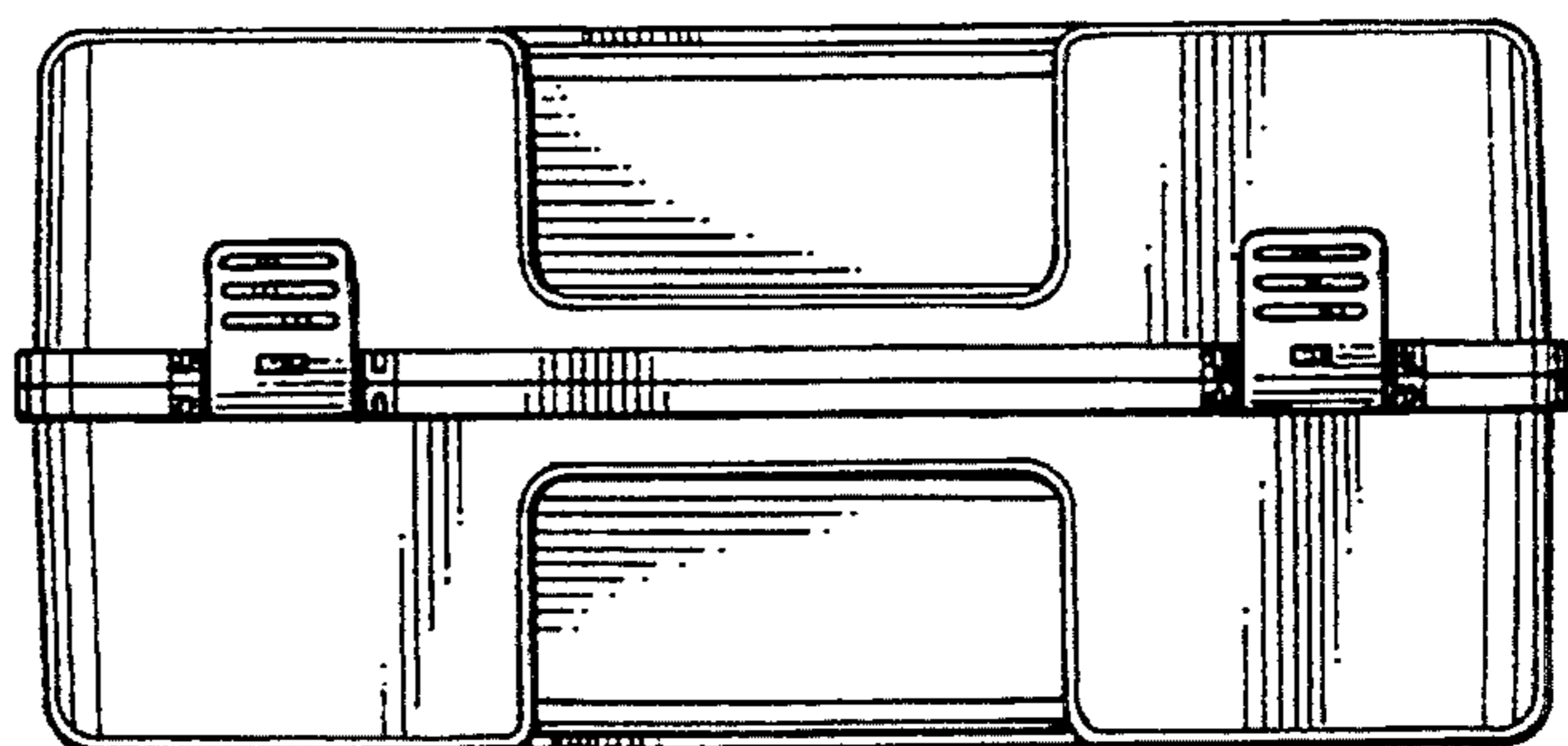


Fig. 4

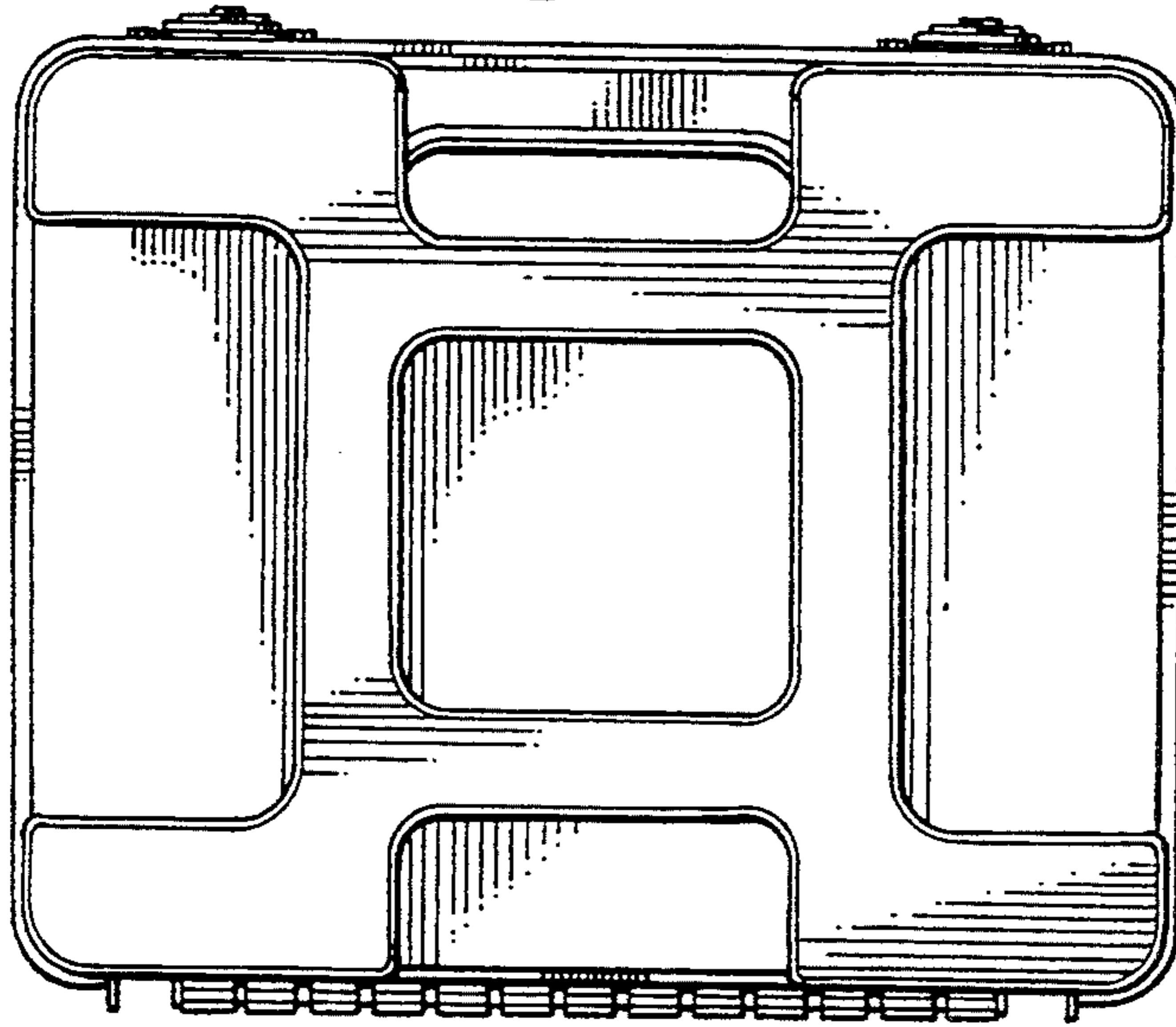


Fig. 5

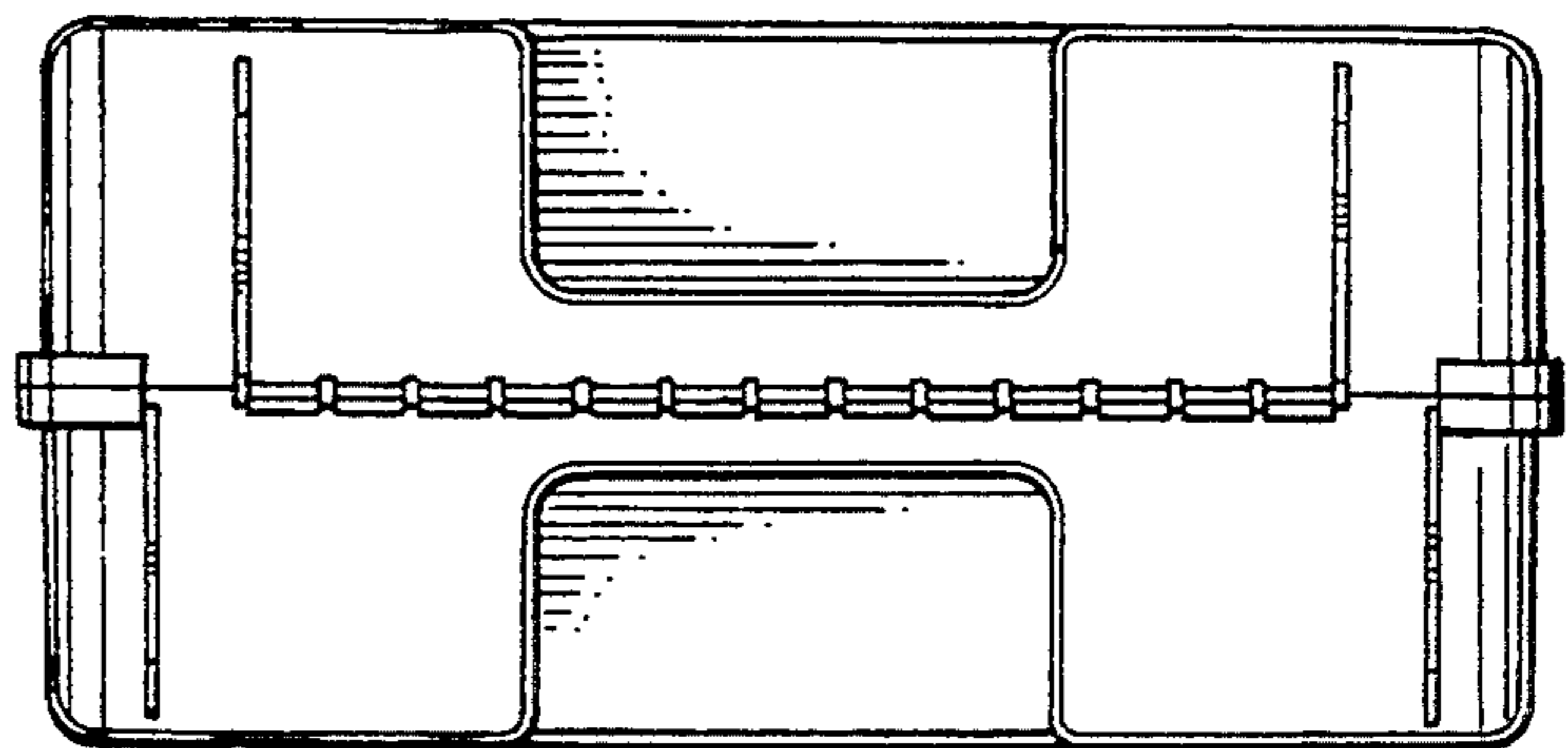
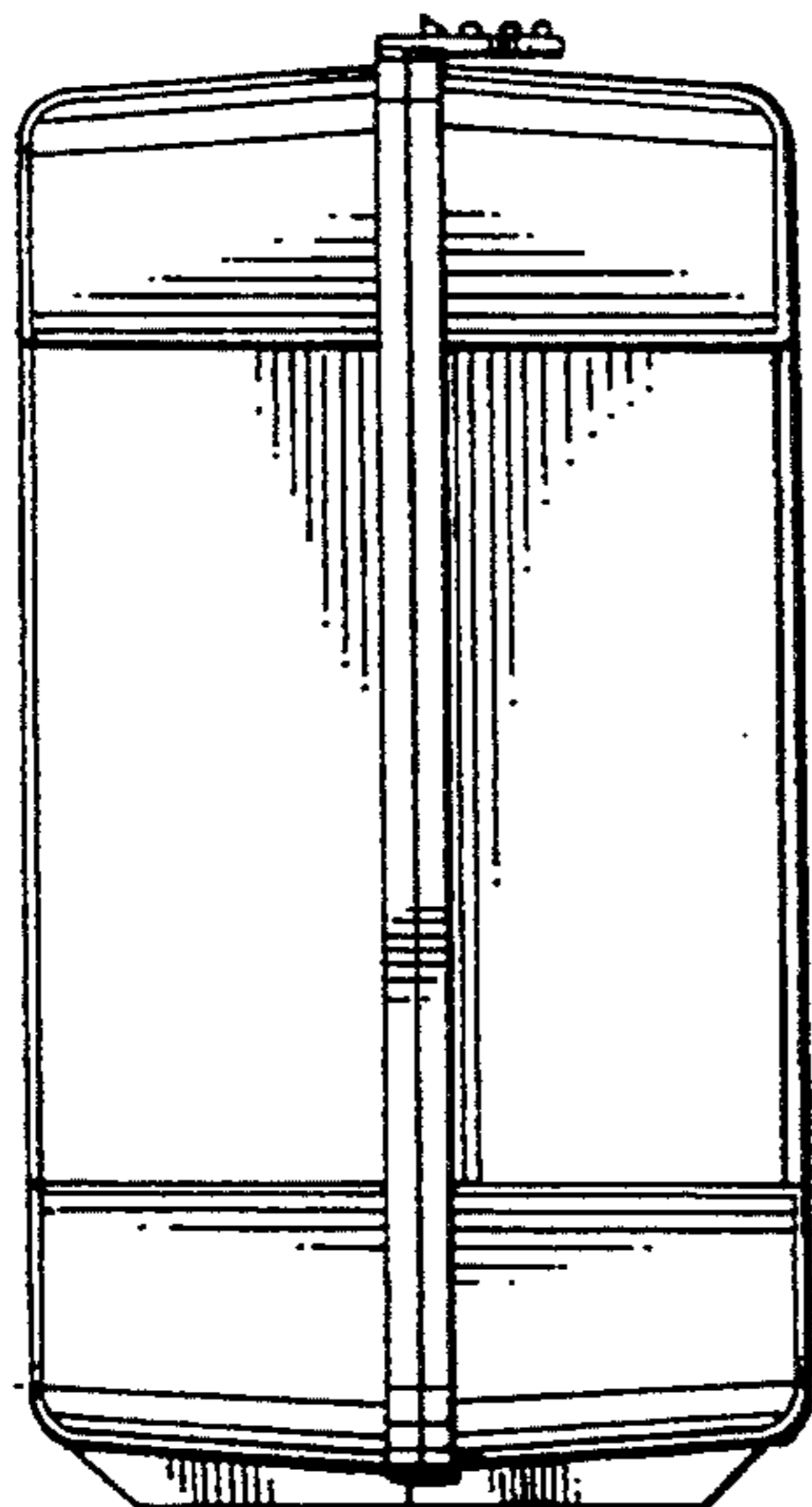


Fig. 6



UNITED STATES PATENT AND TRADEMARK OFFICE
CERTIFICATE OF CORRECTION

PATENT NO. : Des. 360,757
DATED : August 1, 1995
INVENTOR(S) : Mark E. Snetting, Timothy D. Steinberg, and
Paul A. Pilosi

It is certified that error appears in the above-identified patent and that said Letters Patent is hereby corrected as shown below:

On the title page item [57], line 1,
In the claim the word "paing" should be --paint--.

Signed and Sealed this
Thirty-first Day of October 1995

Attest:



BRUCE LEHMAN

Attesting Officer

Commissioner of Patents and Trademarks