



US00D360754S

United States Patent [19]

[11] Patent Number: **Des. 360,754**

Watson

[45] Date of Patent: **** Aug. 1, 1995**

[54] CARRYING CASE

[56] References Cited

U.S. PATENT DOCUMENTS

[76] Inventor: **Malcolm Watson**, 55 Santa Monica Boulevard, Scarborough, Ontario, Canada, M1L 4H3

D. 284,622	7/1986	Durbin	D3/262
D. 335,026	4/1993	Cape	D3/271 X
D. 343,729	2/1994	King	D3/900 X
D. 344,626	3/1994	Landa	D3/236 X
3,866,647	2/1975	Tarkowski	150/104

[**] Term: **14 Years**

Primary Examiner—Theodore M. Shooman
Assistant Examiner—Paula Mortimer
Attorney, Agent, or Firm—Philip Mendes da Costa

[21] Appl. No.: **13,395**

[57] CLAIM

[22] Filed: **Sep. 23, 1993**

The ornamental design for a carrying case, as shown and described.

[30] Foreign Application Priority Data

DESCRIPTION

May 11, 1993 [CA] Canada 11-05-93-1

[52] U.S. Cl. **D3/271**

[58] Field of Search D3/234, 235, 236, 262,
D3/271, 900, 303; D2/742; 190/100, 103-108,
110-113, 117-119

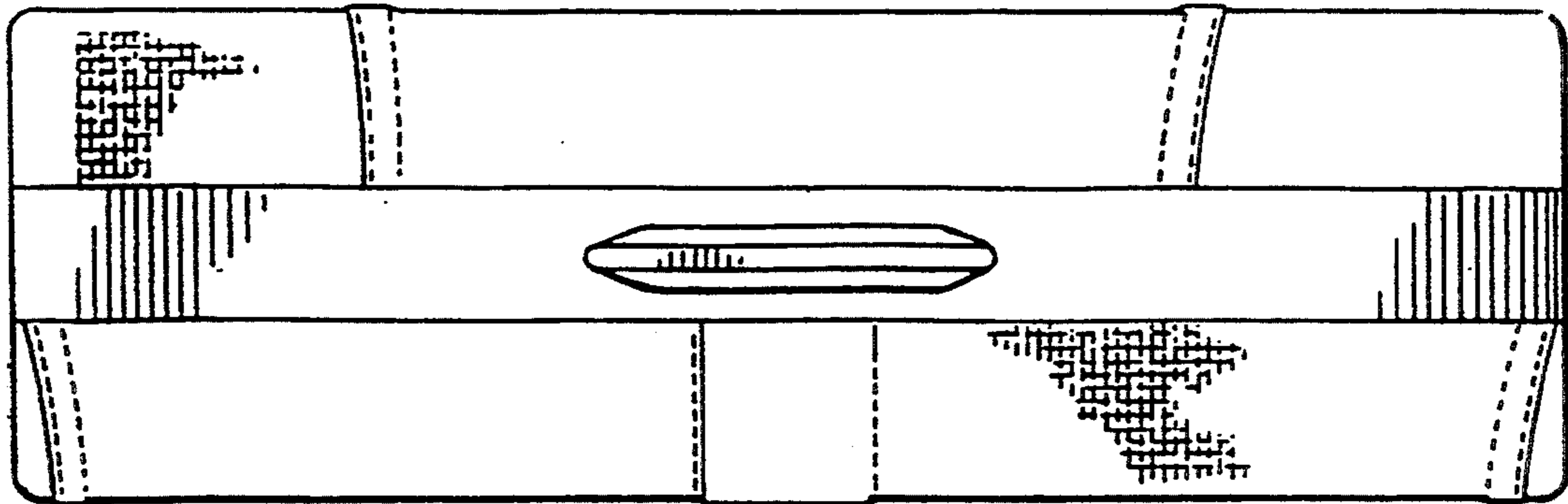
FIG. 1 is a top plan view of a carrying case showing my new design;

FIG. 2 is a front elevational view thereof;

FIG. 3 is a rear elevational view thereof;

FIG. 4 is a side elevational view thereof the opposite side is a mirror image; and,

FIG. 5 is a bottom plan view thereof.



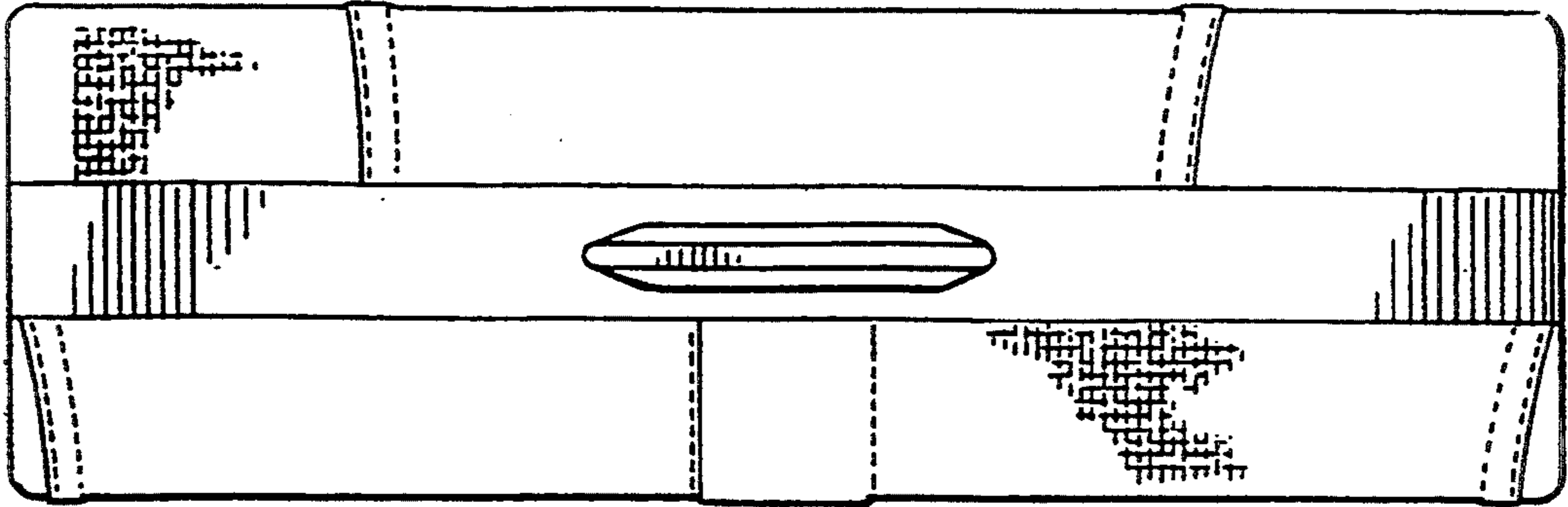


FIG. 1

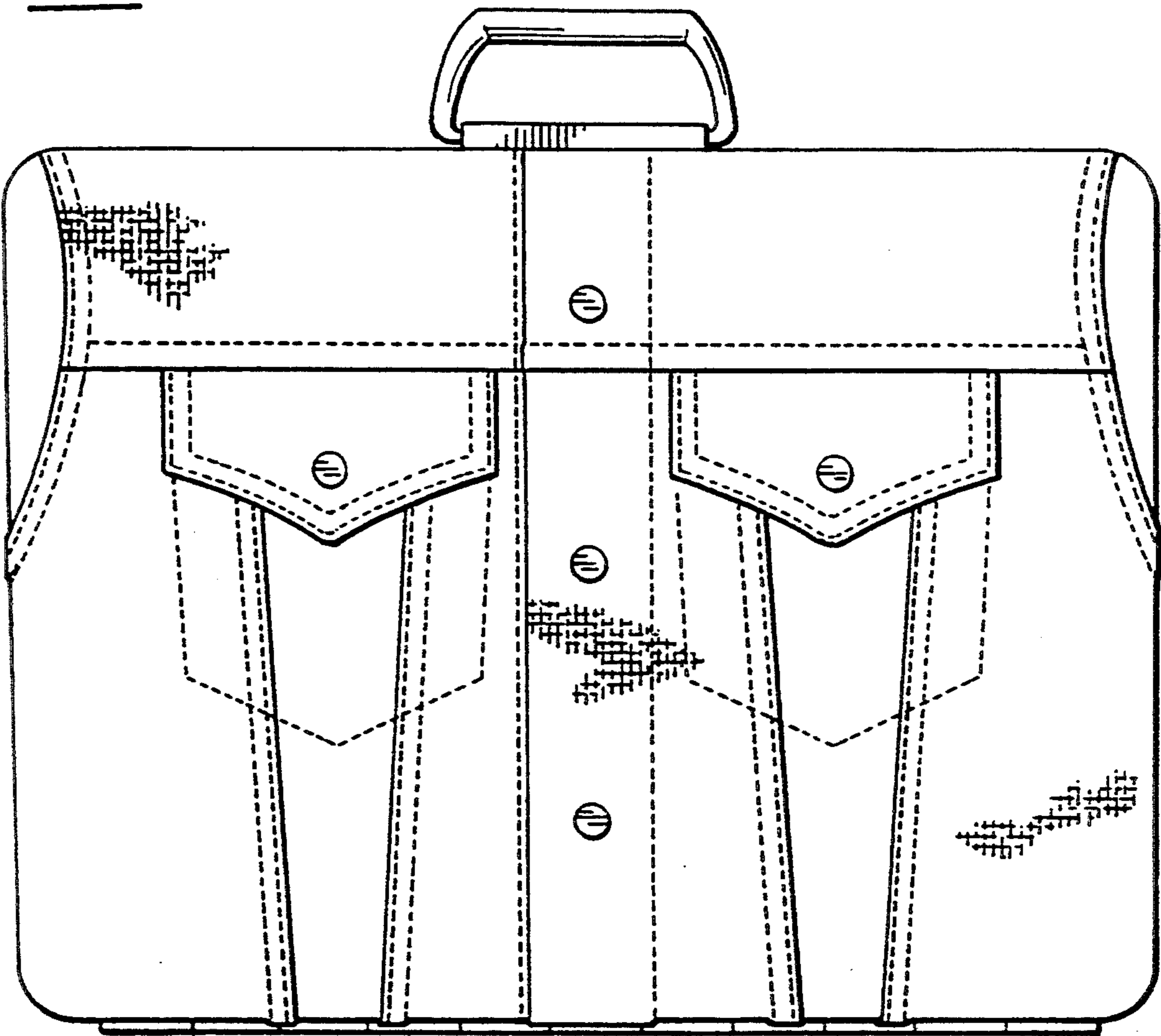


FIG. 2

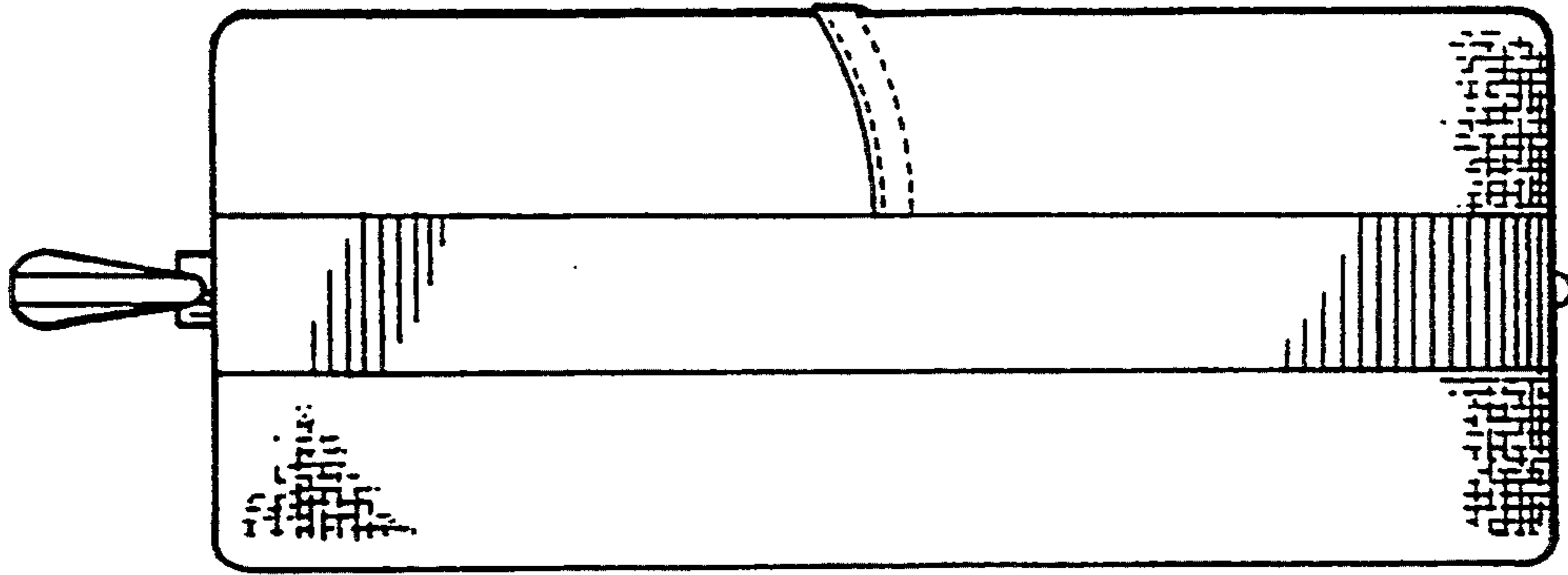


FIG. 4

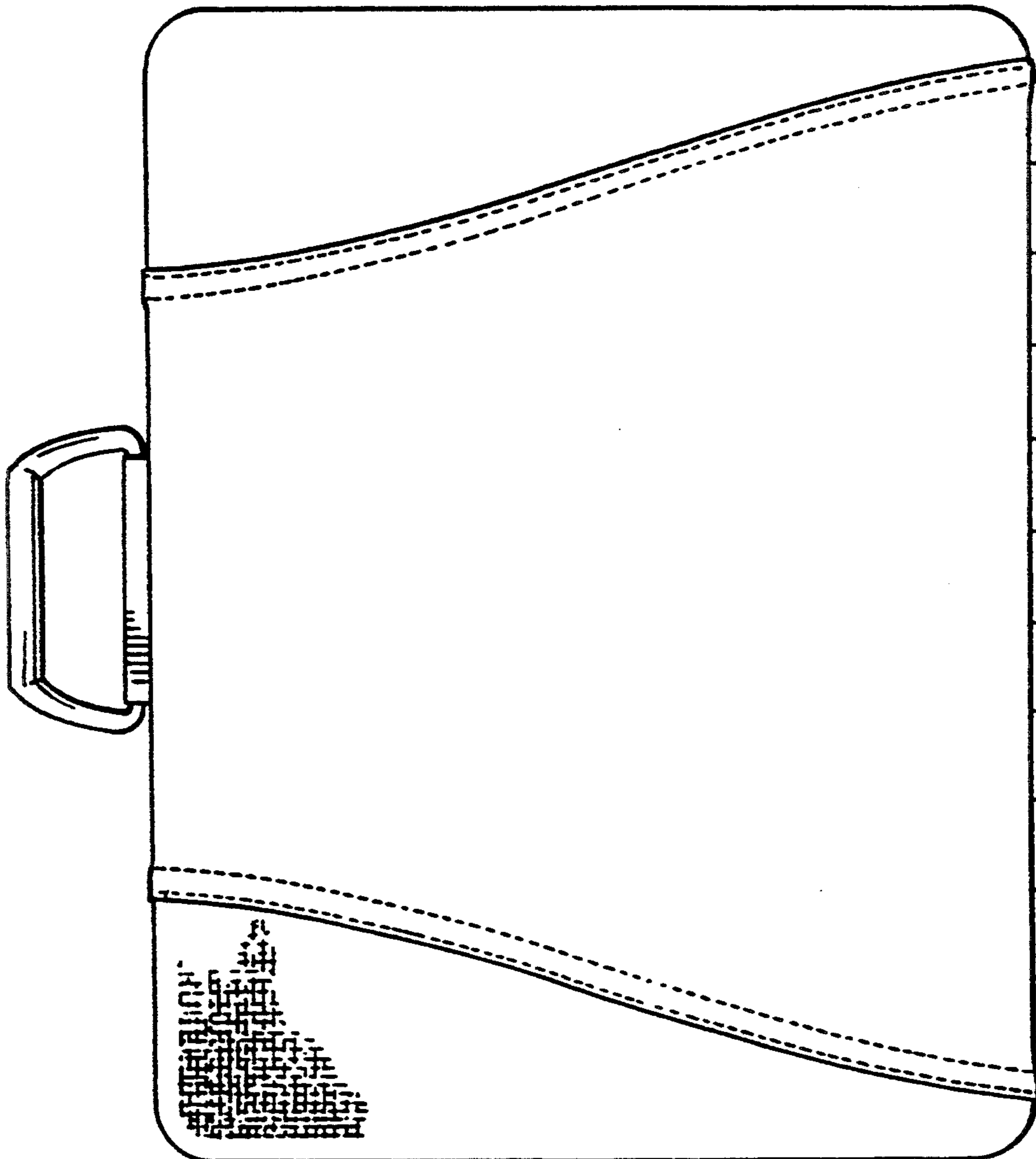


FIG. 3

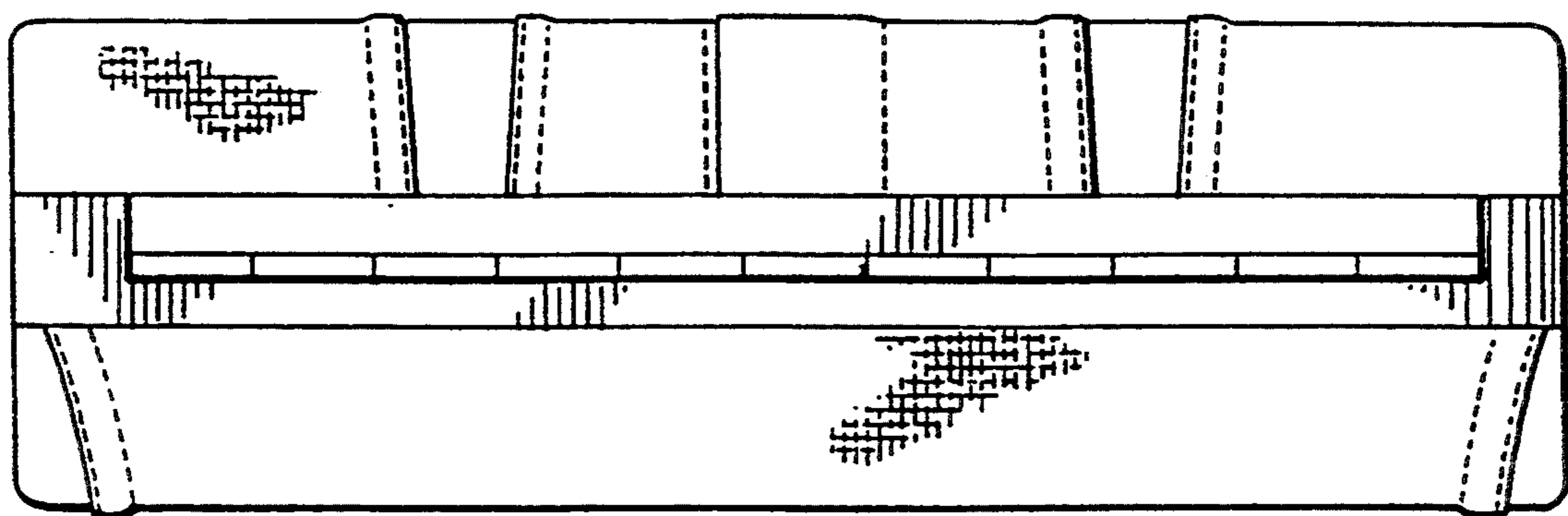


FIG. 5