



US00D360752S

# United States Patent [19]

[11] Patent Number: **Des. 360,752**

**Hannafin**

[45] Date of Patent: **\*\* Aug. 1, 1995**

[54] **DART CASE**

[76] Inventor: **John J. Hannafin**, 221 Cochran Pl.,  
Valley Stream, Long Island, N.Y.  
11581-2933

[\*\*] Term: **14 Years**

[21] Appl. No.: **19,284**

[22] Filed: **Feb. 28, 1994**

[52] U.S. Cl. .... **D3/254**

[58] Field of Search ..... D3/254, 221, 904, 905,  
D3/225, 273; D9/341, 415, 414, 418, 424;  
206/315.1, 315.11, 379; 224/916, 252, 241, 269

[56] **References Cited**

**U.S. PATENT DOCUMENTS**

D. 265,461	7/1982	Valley .....	D3/254 X
D. 350,231	9/1994	Giegerich .....	D3/254
3,960,271	6/1976	Nelson .....	D3/254 X
5,067,610	11/1991	Jensen .....	206/315.1

*Primary Examiner*—Louis S. Zarfaz  
*Assistant Examiner*—Catherine R. Oliver

[57] **CLAIM**

The ornamental design for a dart case, as shown and described.

**DESCRIPTION**

FIG. 1 is a perspective view of the dart case of this invention;  
 FIG. 2 is a plan view of the dart case of this invention;  
 FIG. 3 is a front view of the dart case of this invention;  
 FIG. 4 is a left end view of the dart case of this invention;  
 FIG. 5 is a right end view of the dart case of this invention;  
 FIG. 6 is a bottom view of the dart case of this invention;  
 FIG. 7 is a back view of the dart case of this invention;  
 FIG. 8 is a left end view of the dart case of this invention with the protective closure removed;  
 FIG. 9 is a right end view of the dart case of this invention with the protective closure removed; and,  
 FIG. 10 is a perspective view of the dart case of this invention showing darts, points and feathers exploded in phantom and forming no part of claimed design.

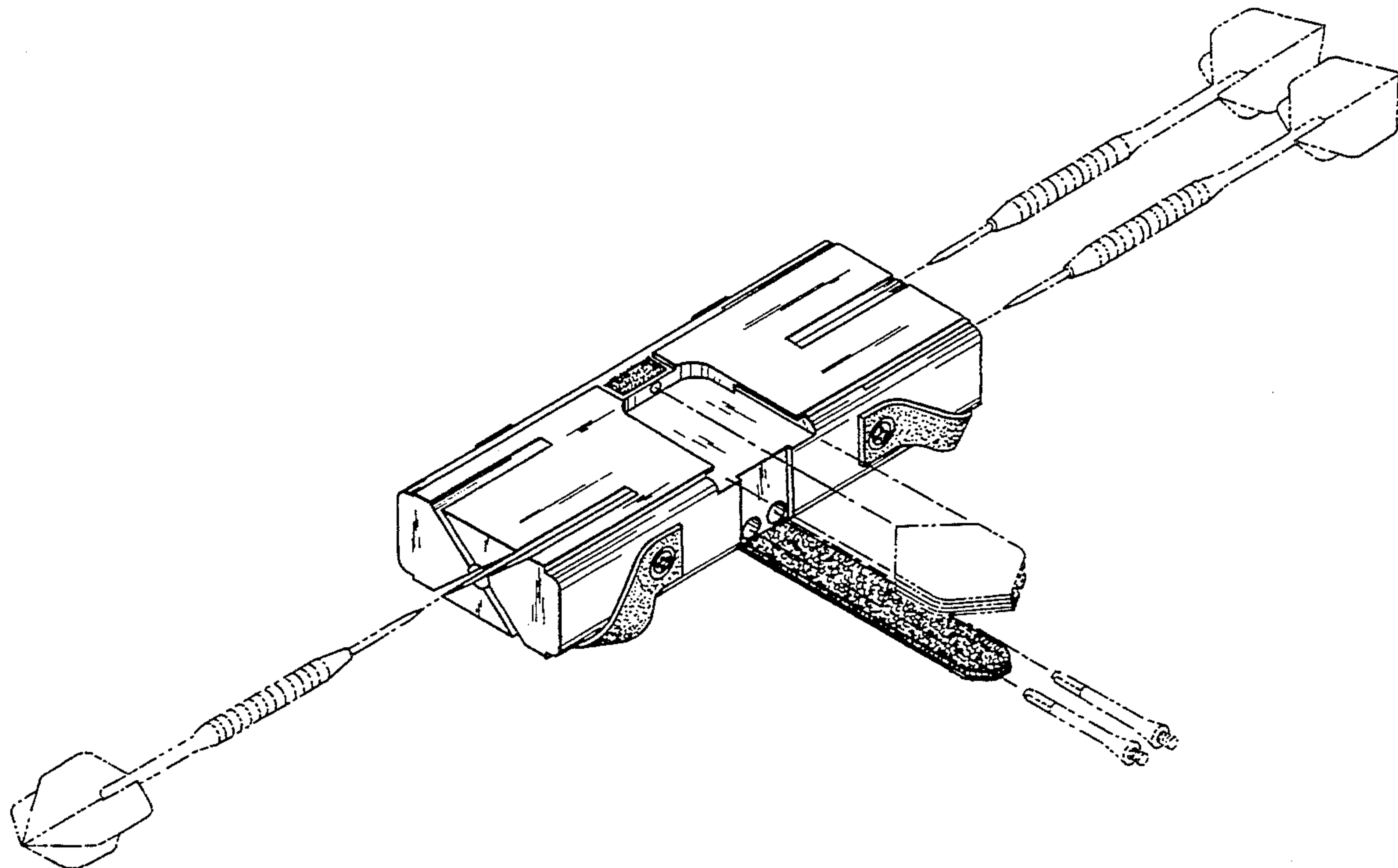


FIG. 1

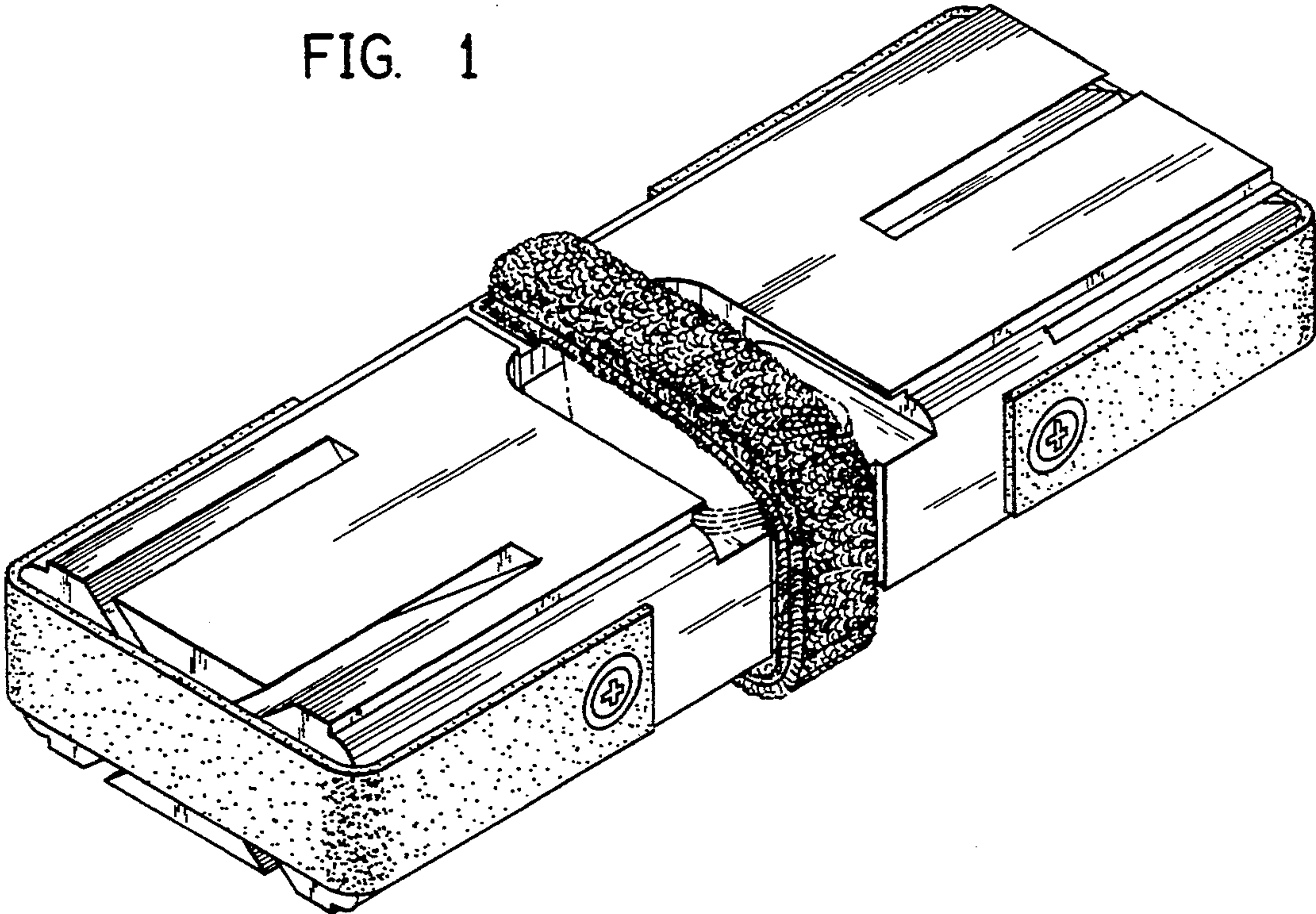


FIG. 2

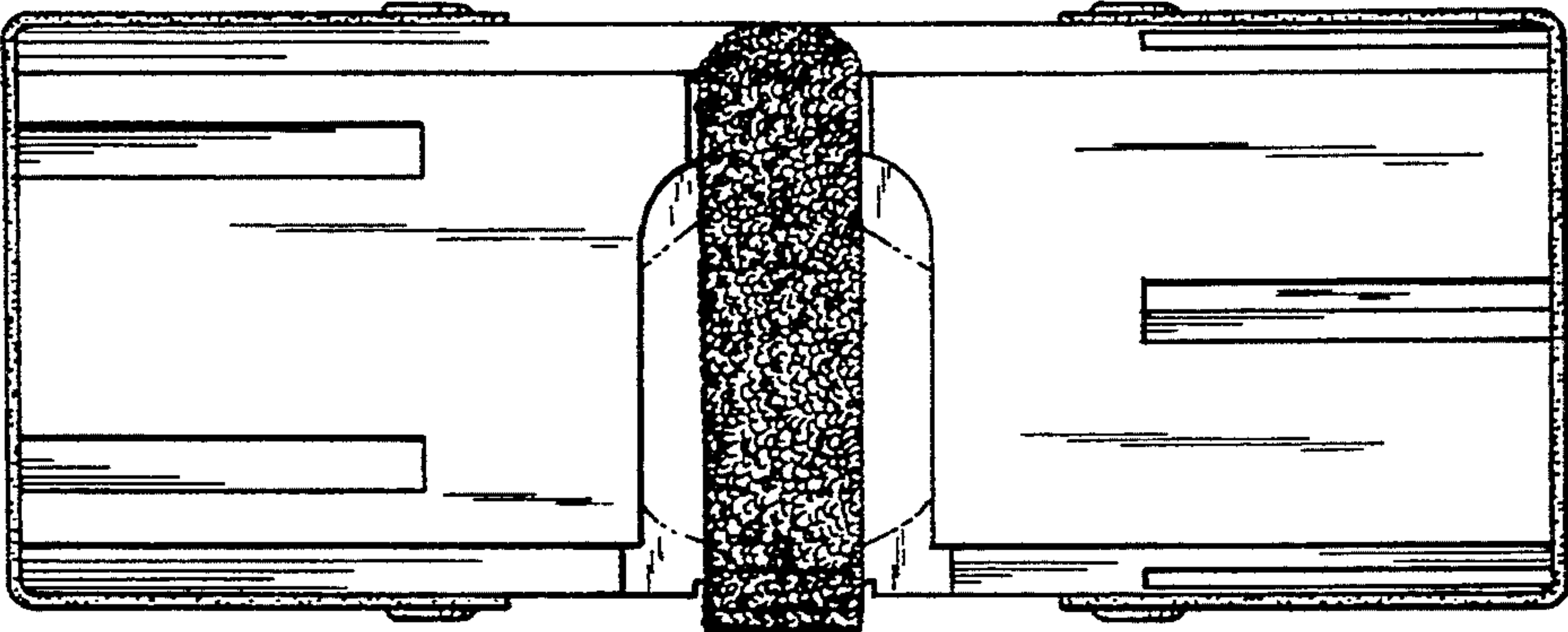
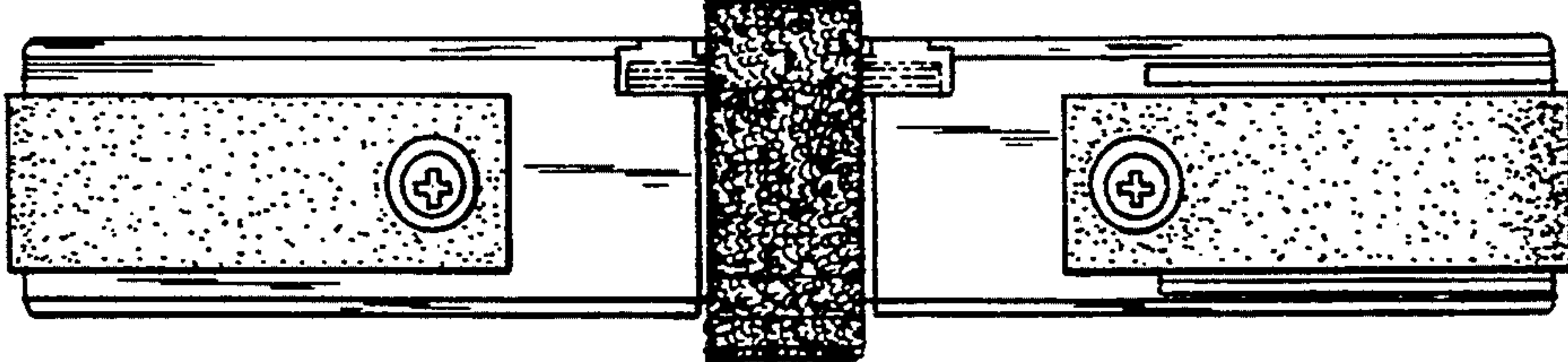


FIG. 3





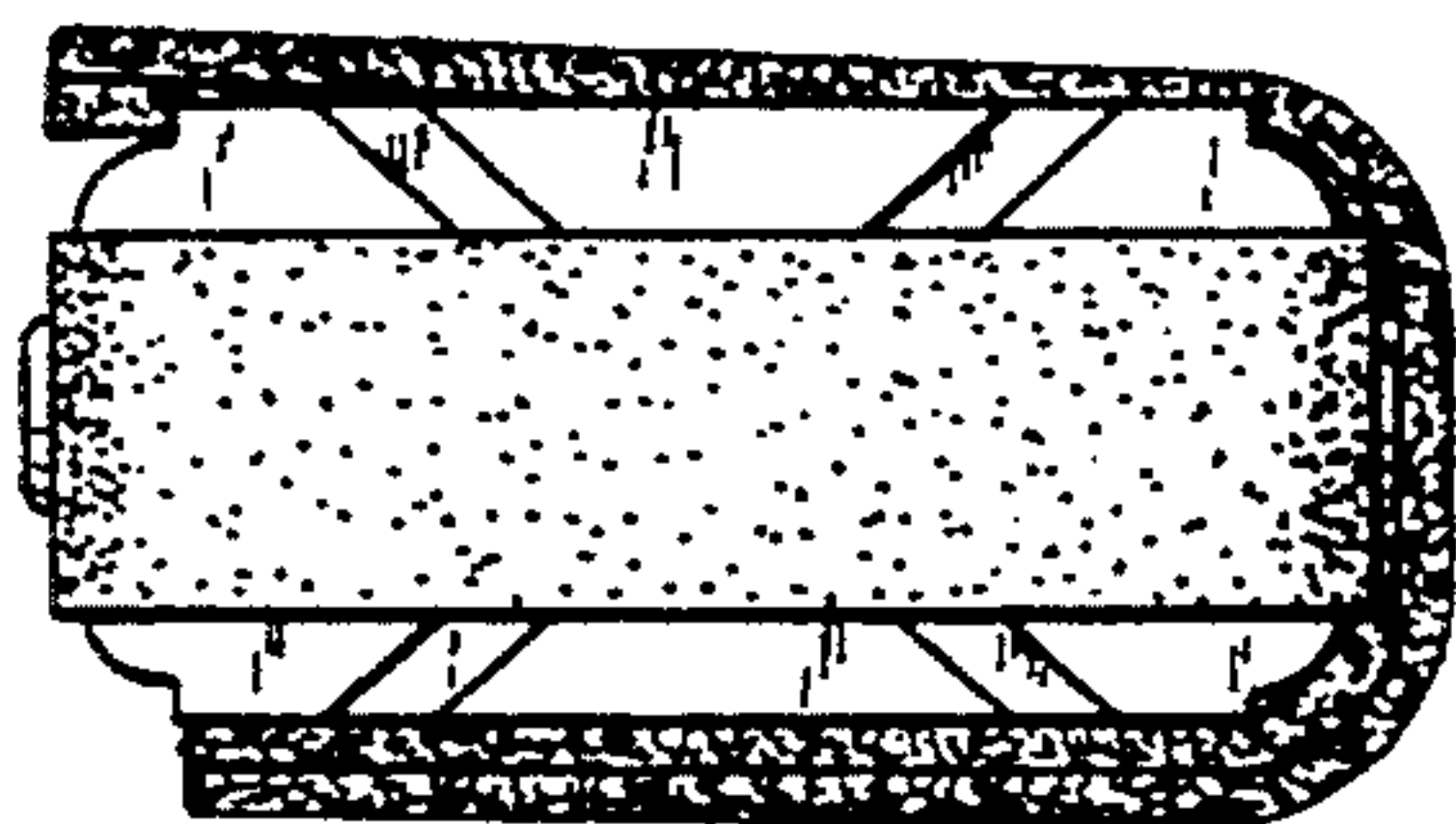


FIG. 4

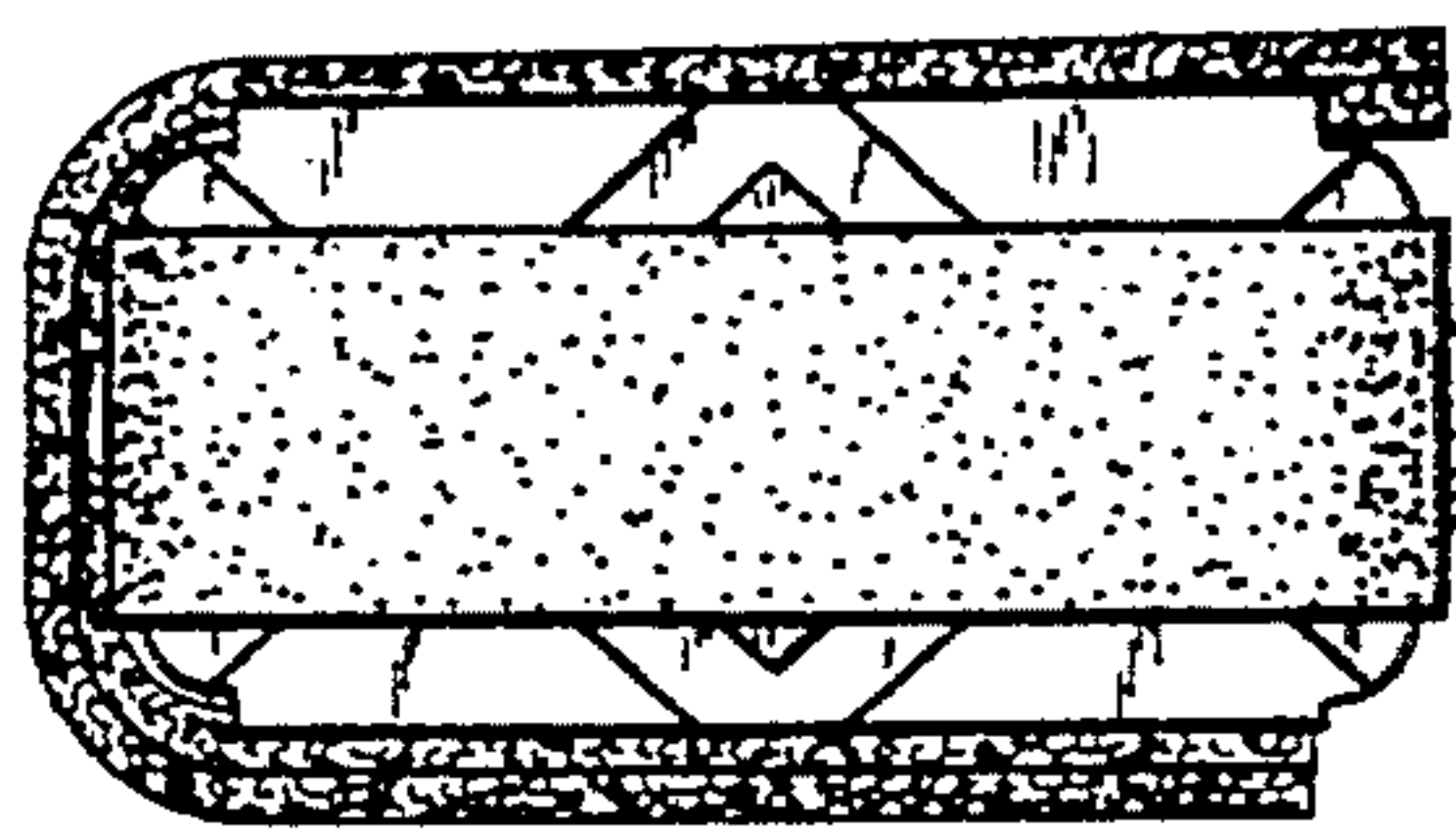


FIG. 5

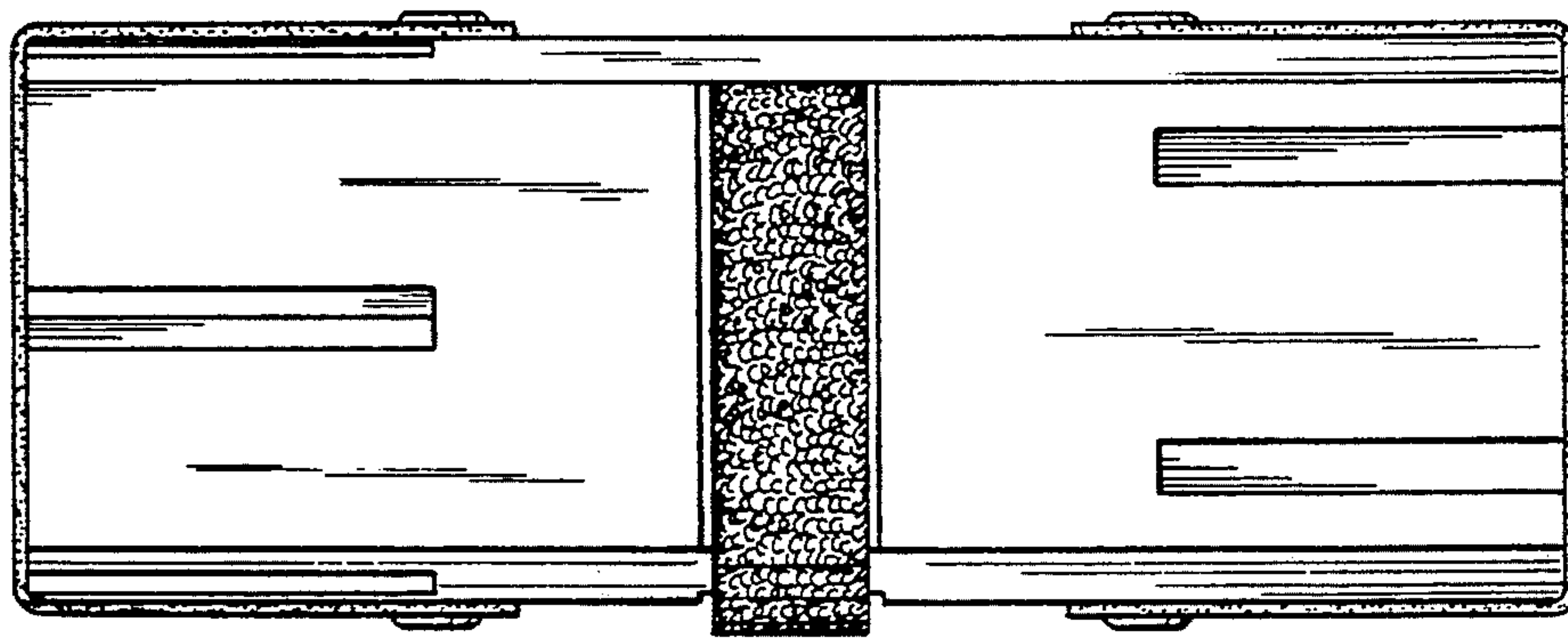


Fig. 6

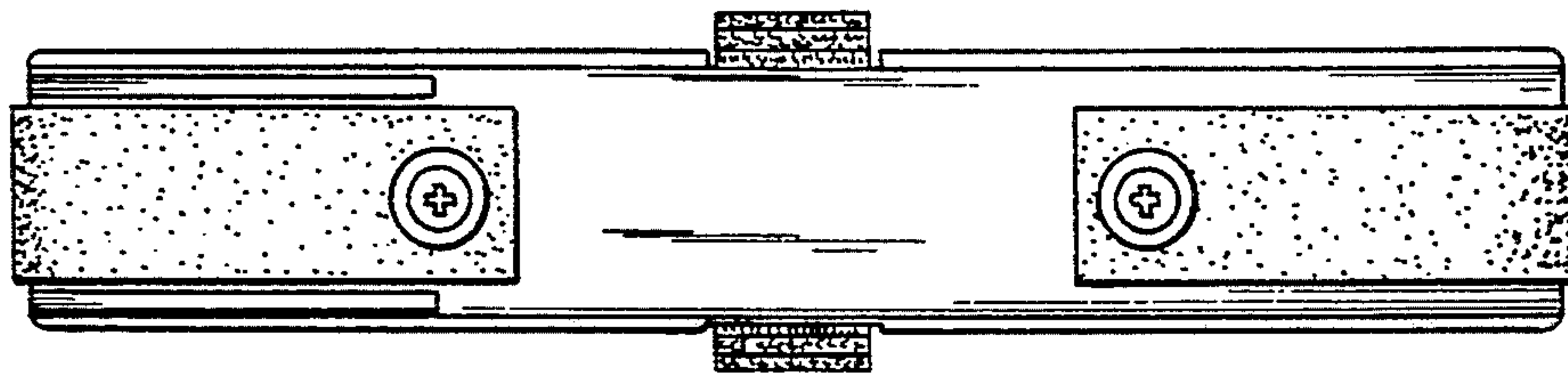


Fig. 7

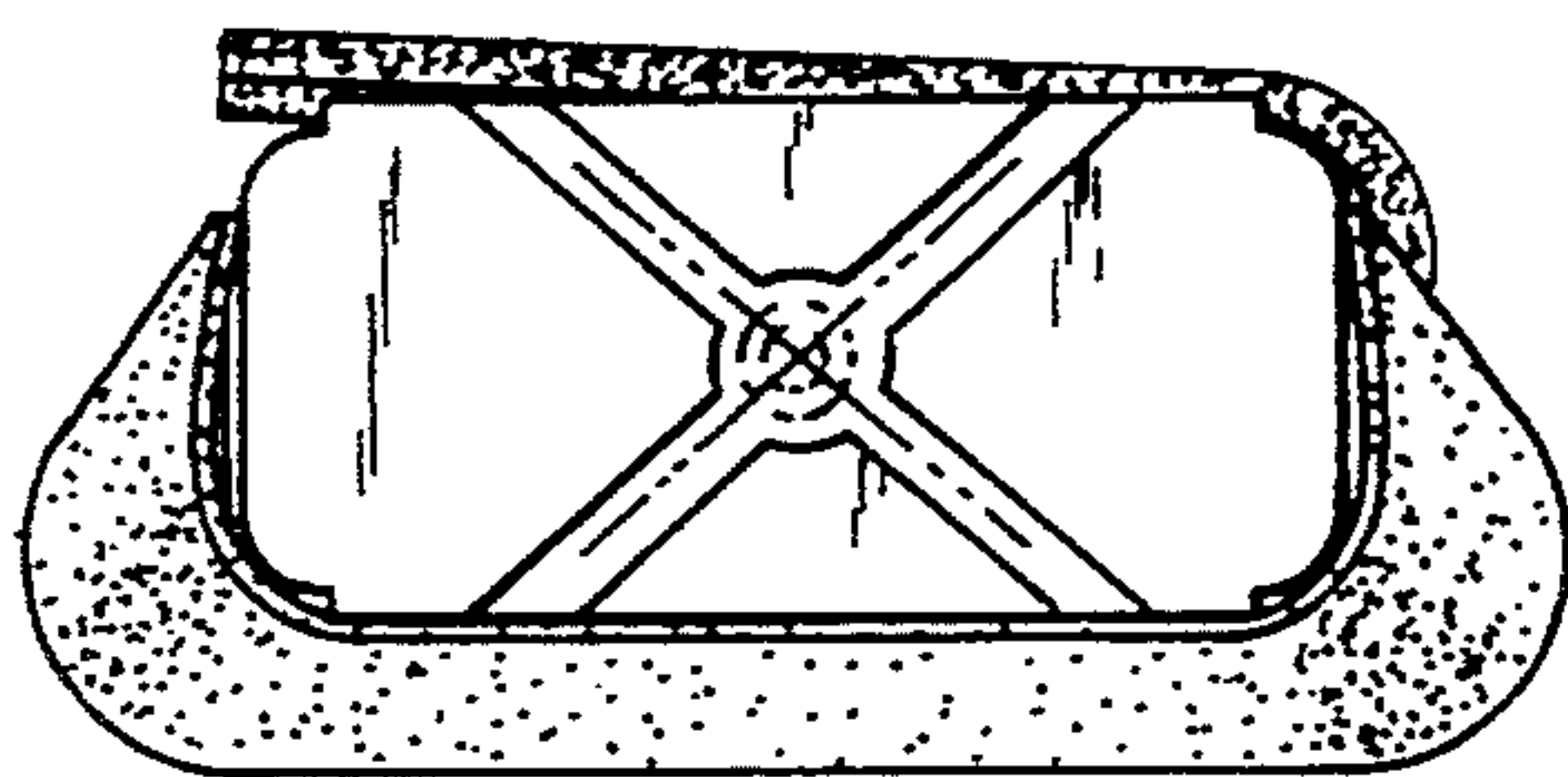


FIG. 8

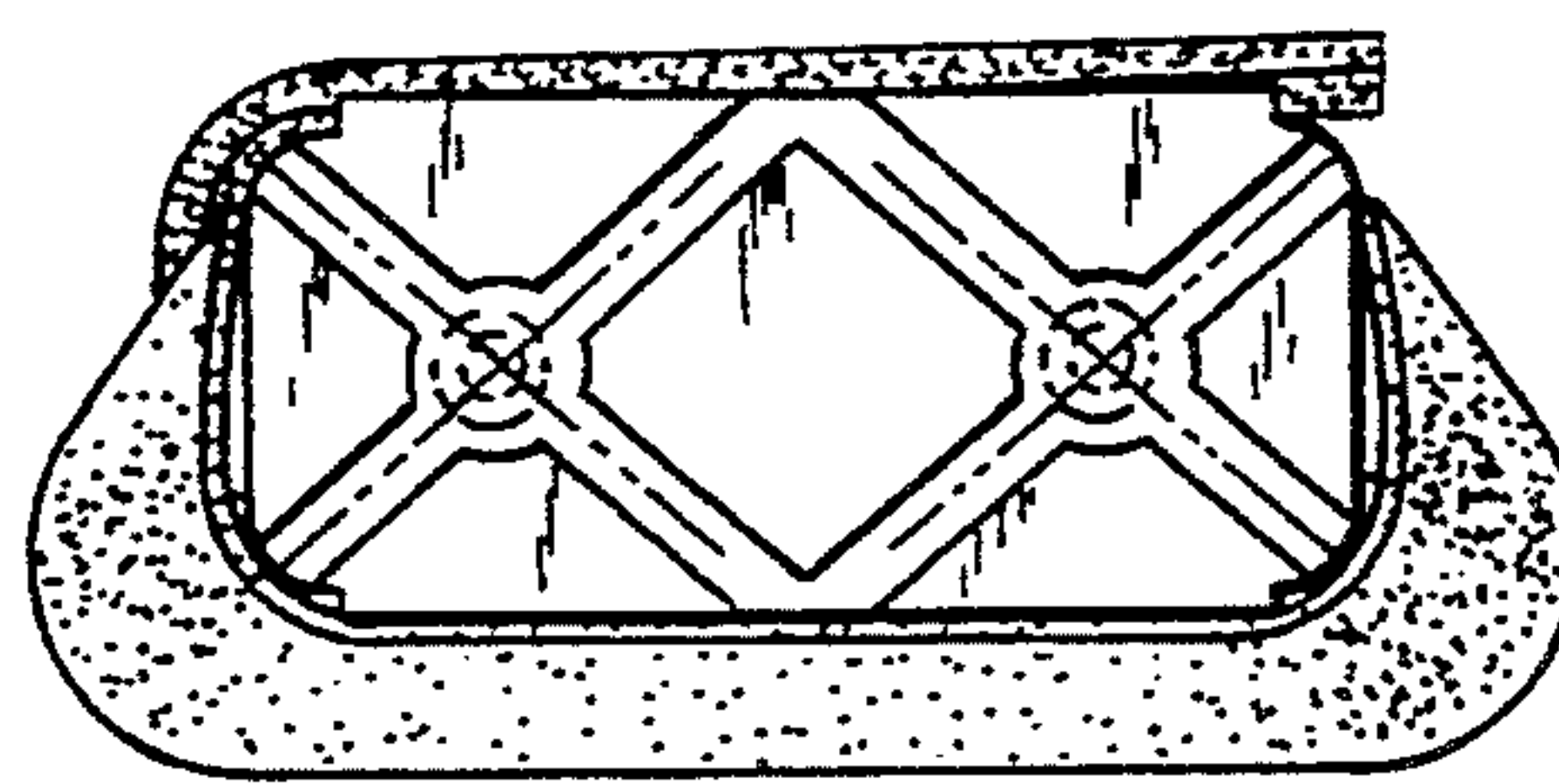


FIG. 9

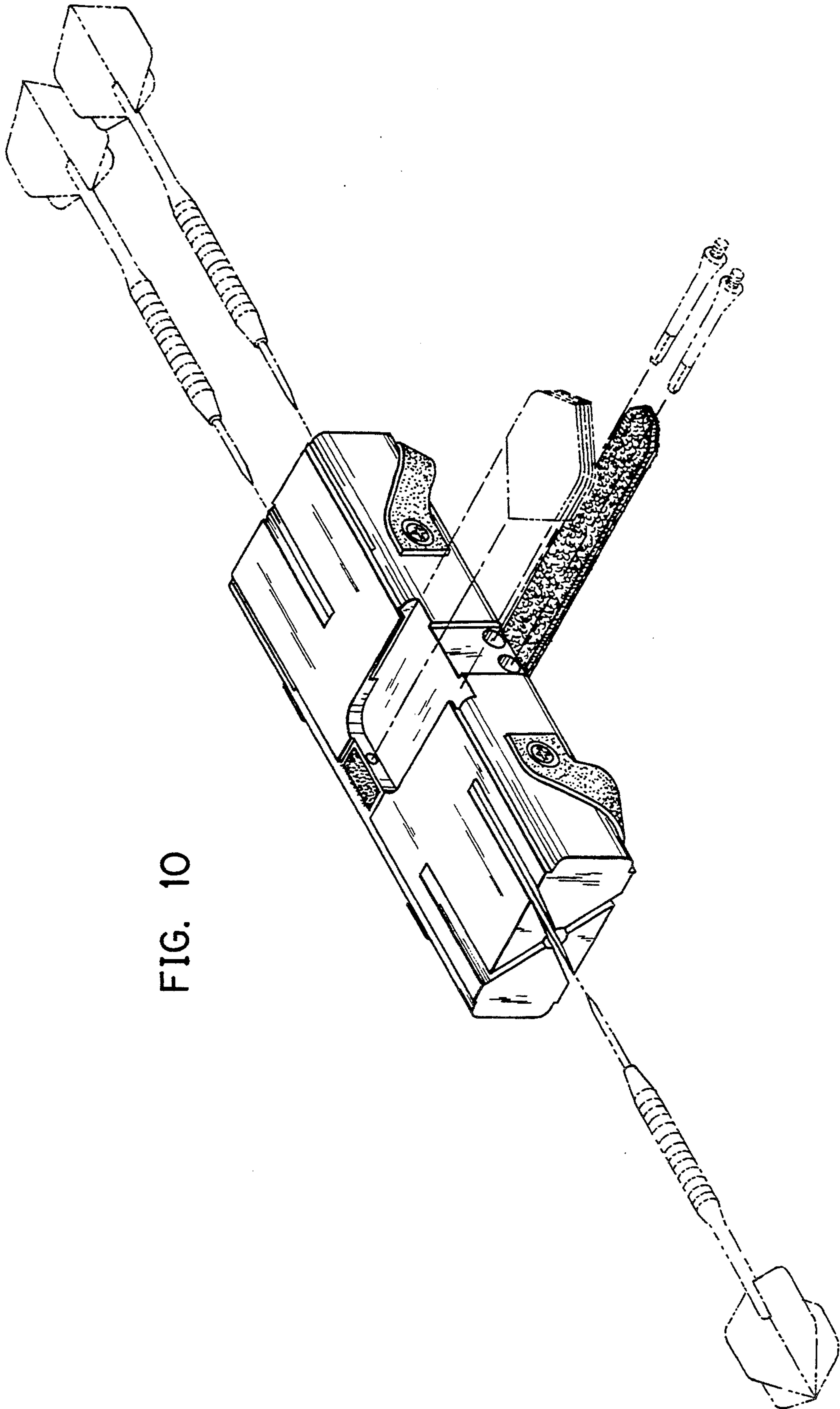


FIG. 10