



US00D360750S

# United States Patent [19] Stillwagon

[11] Patent Number: Des. 360,750

[45] Date of Patent: \*\* Aug. 1, 1995

[54] **KEY HOLDER**

[76] Inventor: **Woodrow C. Stillwagon**, 7610 Ball Mill Rd., Atlanta, Ga. 30338

[\*] Notice: The portion of the term of this patent subsequent to Sep. 24, 2005 has been disclaimed.

[\*\*] Term: **14 Years**

[21] Appl. No.: **8,181**

[22] Filed: **May 10, 1993**

[52] U.S. Cl. .... **D3/207**

[58] Field of Search ..... **D3/207-212;**  
206/37.1, 37.8; 24/3 K; 70/456 R, 456 B, 458,  
459, 460, 461, 457

[56] **References Cited**

**U.S. PATENT DOCUMENTS**

D. 158,306	4/1950	Modrey	.....	D3/207
D. 308,600	6/1990	Wischowsky	.....	D3/207
D. 309,526	7/1990	Hofmann	.....	D3/207
3,968,669	7/1976	Coleman	.....	D3/207

*Primary Examiner*—Ralf T. Seifert  
*Attorney, Agent, or Firm*—Erwin Doerr

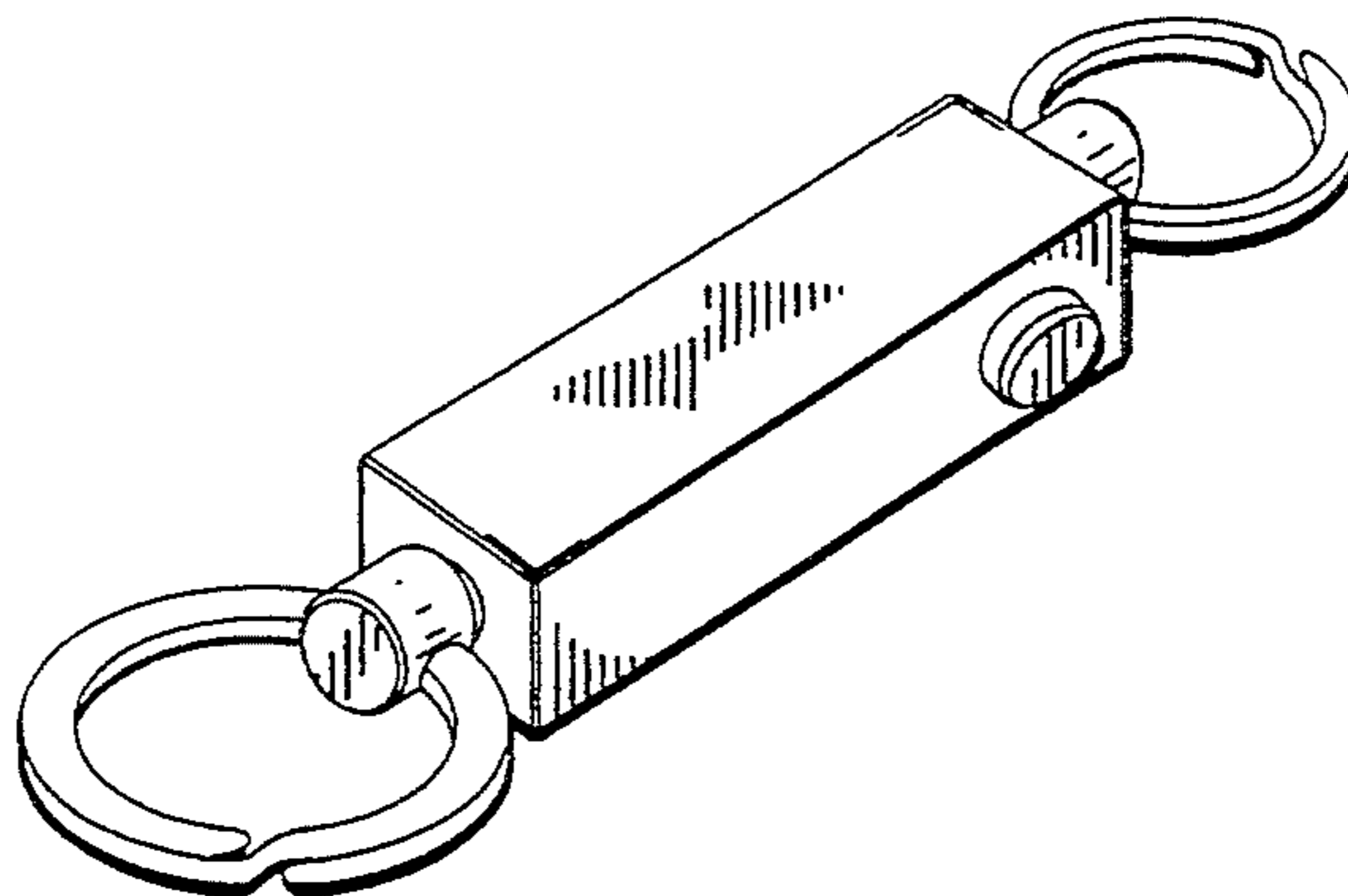
[57] **CLAIM**

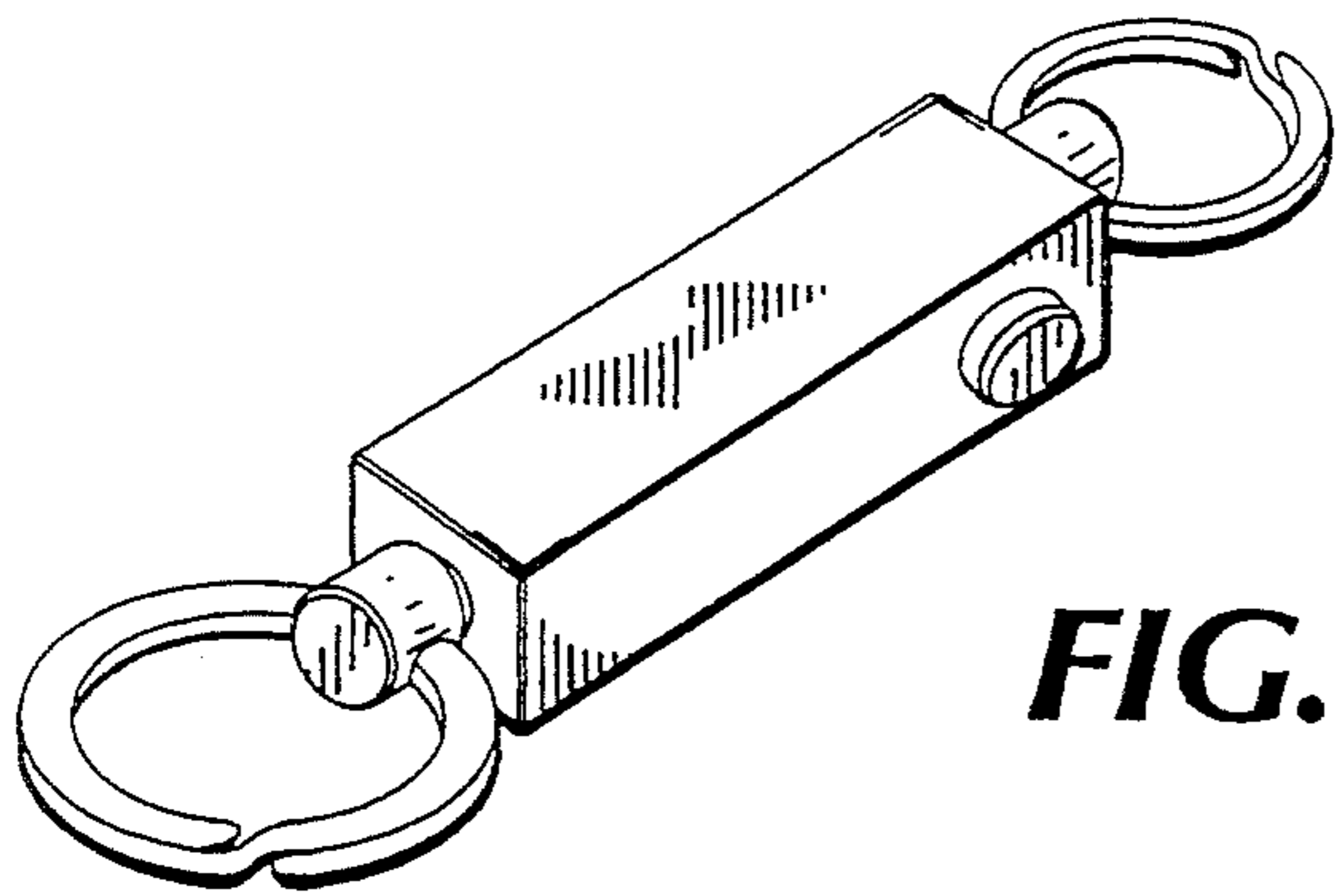
The ornamental design for the key holder, as shown and described.

**DESCRIPTION**

FIG. 1 is a perspective view of a key holder showing my new design;  
FIG. 2 is a front elevational view thereof;  
FIG. 3 is a bottom plan view thereof;  
FIG. 4 is a side elevational view;

FIG. 5 is an exploded perspective view, the opposite side being essentially the same;  
FIG. 6 is a top plan view;  
FIG. 7 is a front elevational view of a key holder showing a second embodiment of my new design;  
FIG. 8 is a side elevational view of FIG. 7;  
FIG. 9 is a bottom plan view of FIG. 7;  
FIG. 10 is a top plan view of FIG. 7;  
FIG. 11 is a perspective view of a key holder showing a third embodiment of my new design;  
FIG. 12 is a side elevational view of FIG. 11;  
FIG. 13 is a bottom plan view of FIG. 12;  
FIG. 14 is a top plan view of FIG. 12;  
FIG. 15 is a perspective view of a key holder showing a fourth embodiment which is similar to that of FIG. 1 but slightly modified;  
FIG. 16 is a front elevational view of FIG. 15;  
FIG. 17 is a side elevational view of FIG. 15;  
FIG. 18 is a bottom plan view of FIG. 15;  
FIG. 19 is an exploded perspective view of a key holder showing a fifth embodiment which is similar to that of FIG. 5 but slightly modified, the opposite side being essentially the same as that shown;  
FIG. 20 is a top plan view of FIG. 19;  
FIG. 21 is a front elevational view of a key holder showing a sixth embodiment which is similar to that of FIG. 7 but slightly modified;  
FIG. 22 is a side elevational view of FIG. 21;  
FIG. 23 is a bottom plan view of FIG. 21;  
FIG. 24 is a top plan view of FIG. 21;  
FIG. 25 is a perspective view of a key holder showing a seventh embodiment which is similar to that shown in FIG. 11 but slightly modified;  
FIG. 26 is a bottom plan view of FIG. 25;  
FIG. 27 is a top plan view of FIG. 25; and,  
FIG. 28 is a side elevational view of FIG. 25.

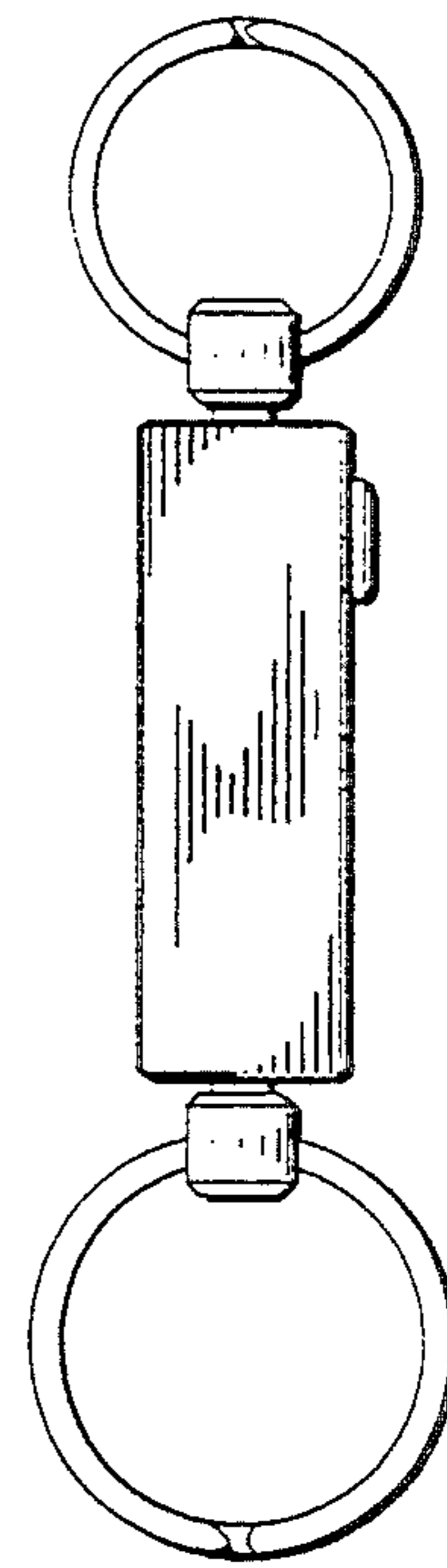




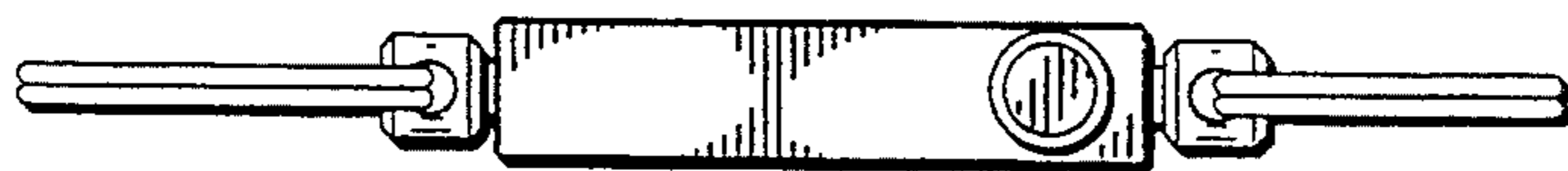
**FIG. 1**



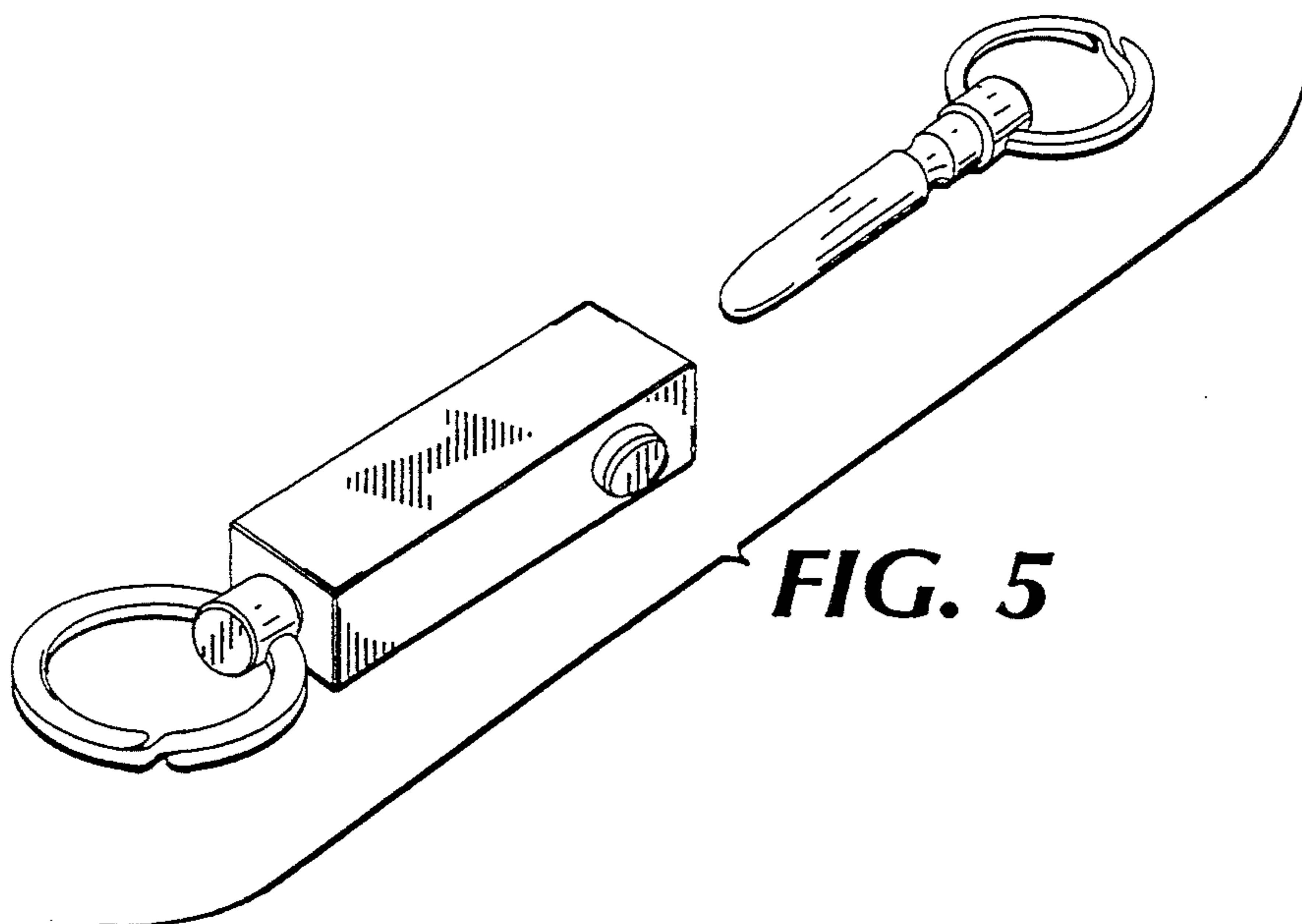
**FIG. 3**



**FIG. 2**



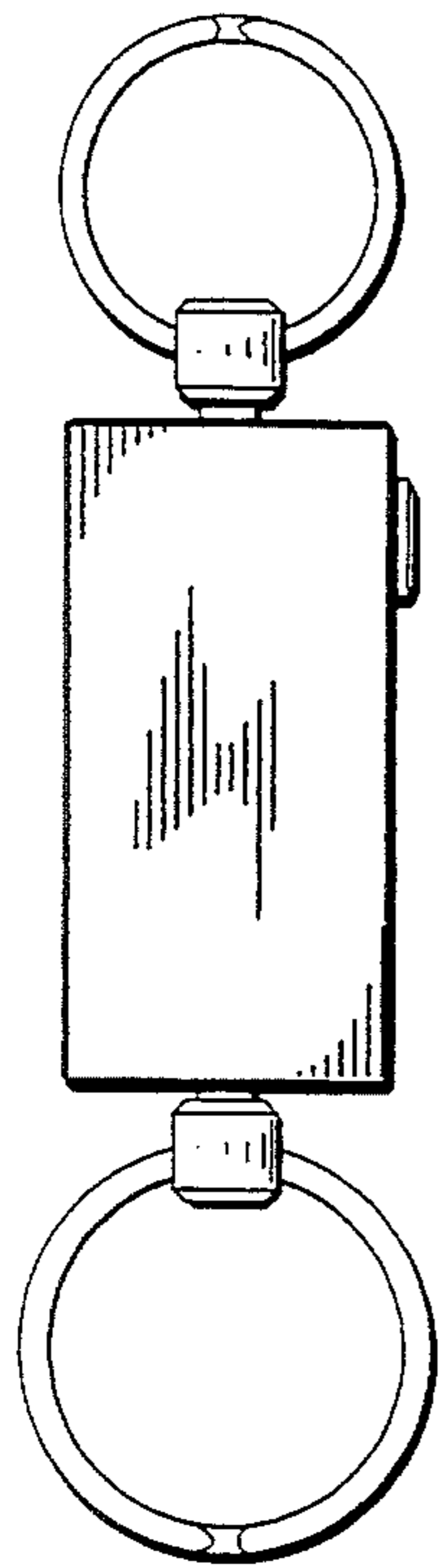
**FIG. 4**



**FIG. 5**



**FIG. 6**



**FIG. 7**



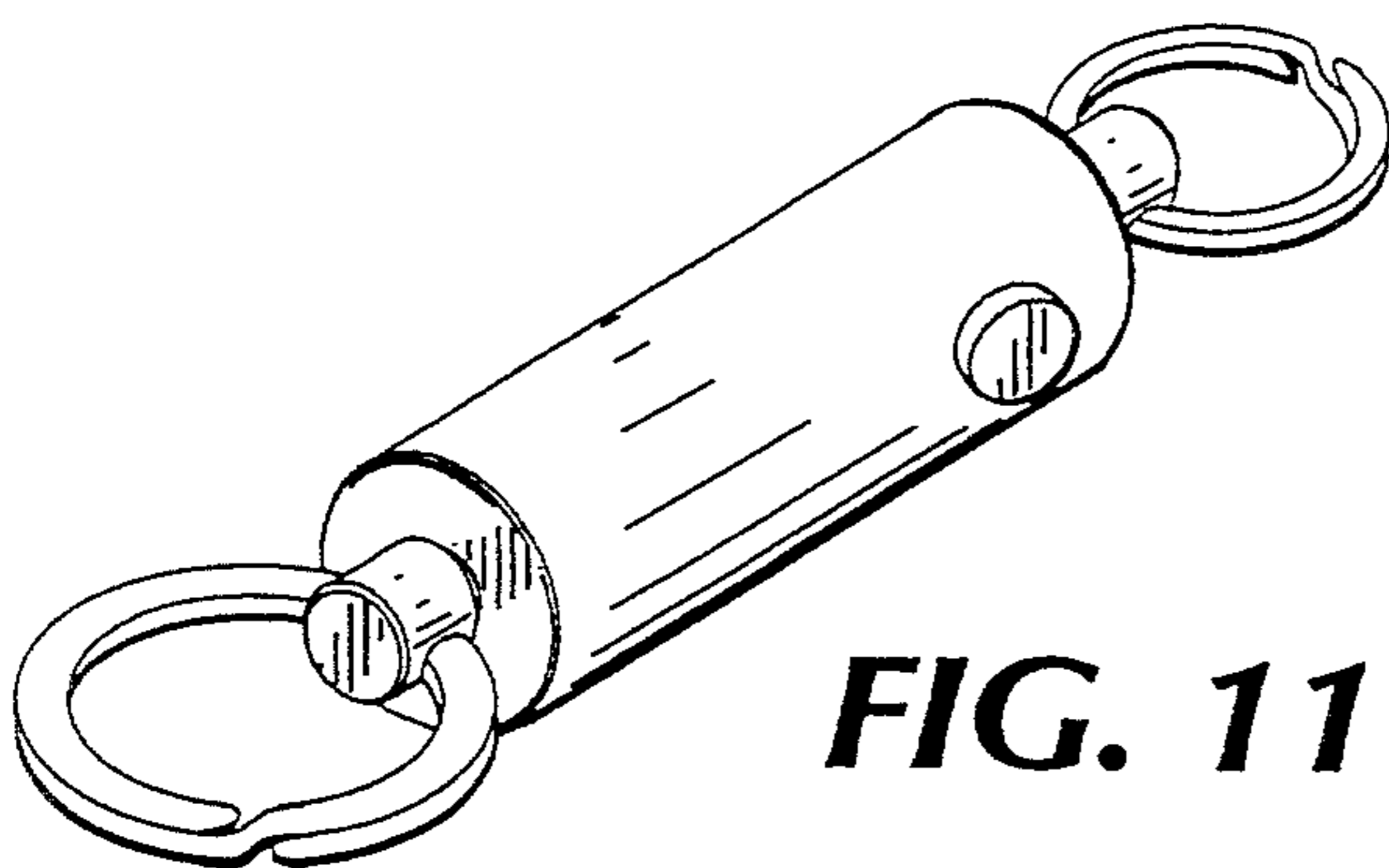
**FIG. 8**



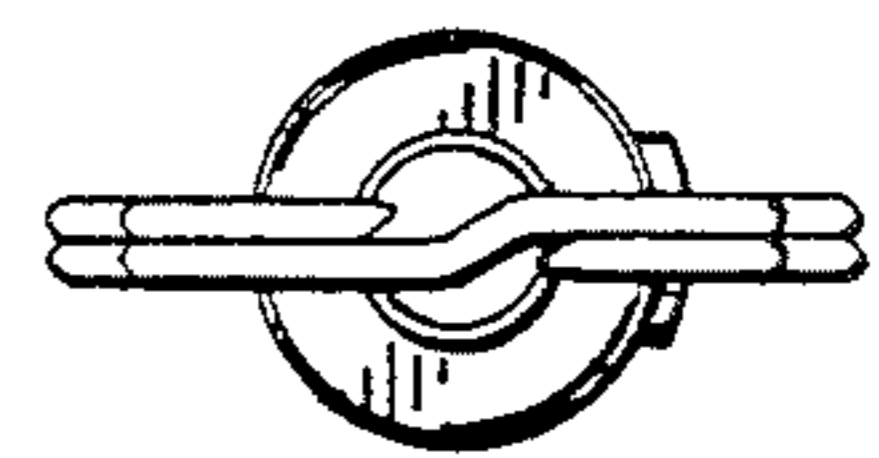
**FIG. 9**



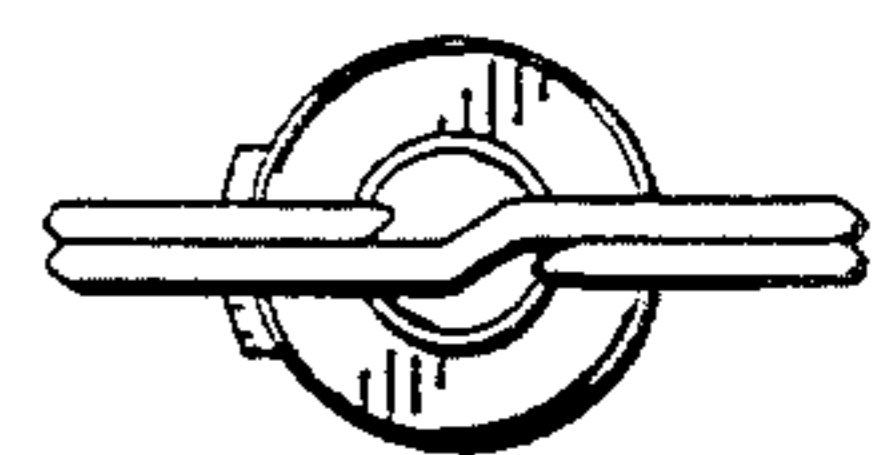
**FIG. 10**



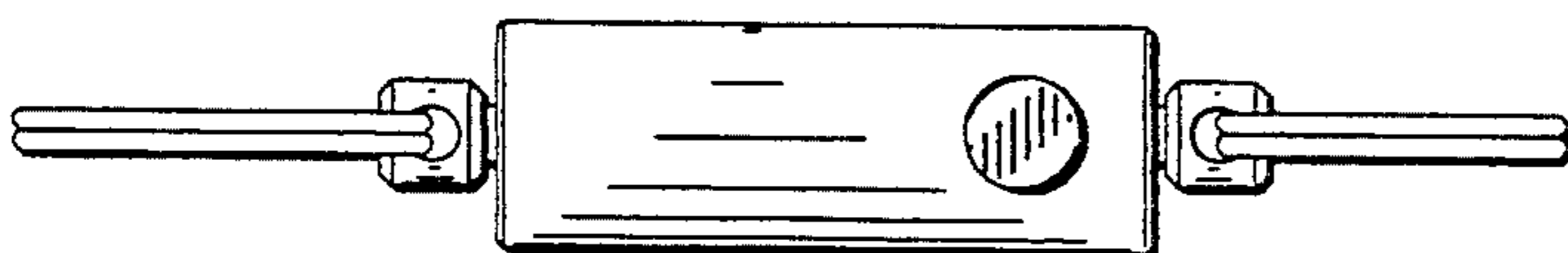
**FIG. 11**



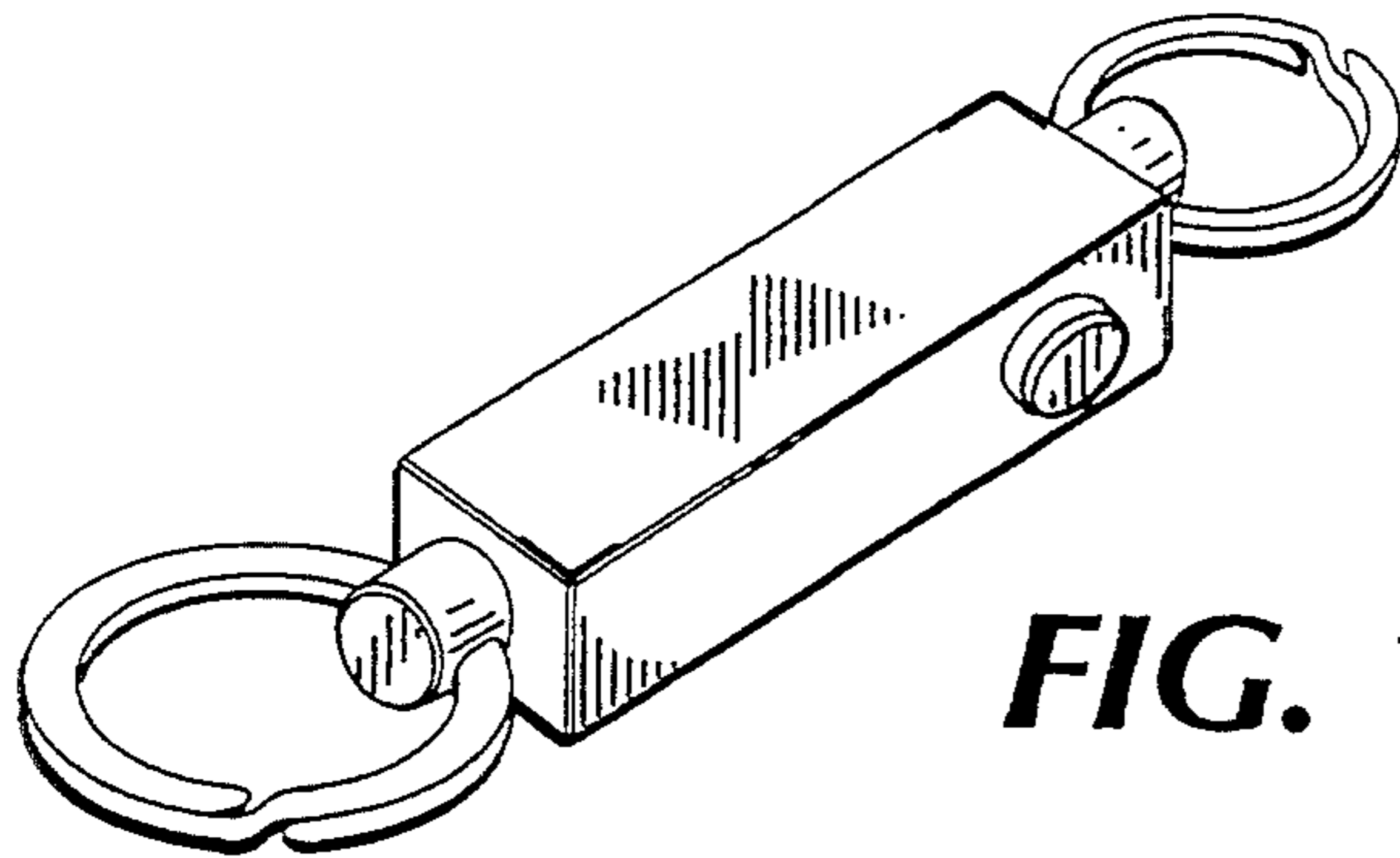
**FIG. 13**



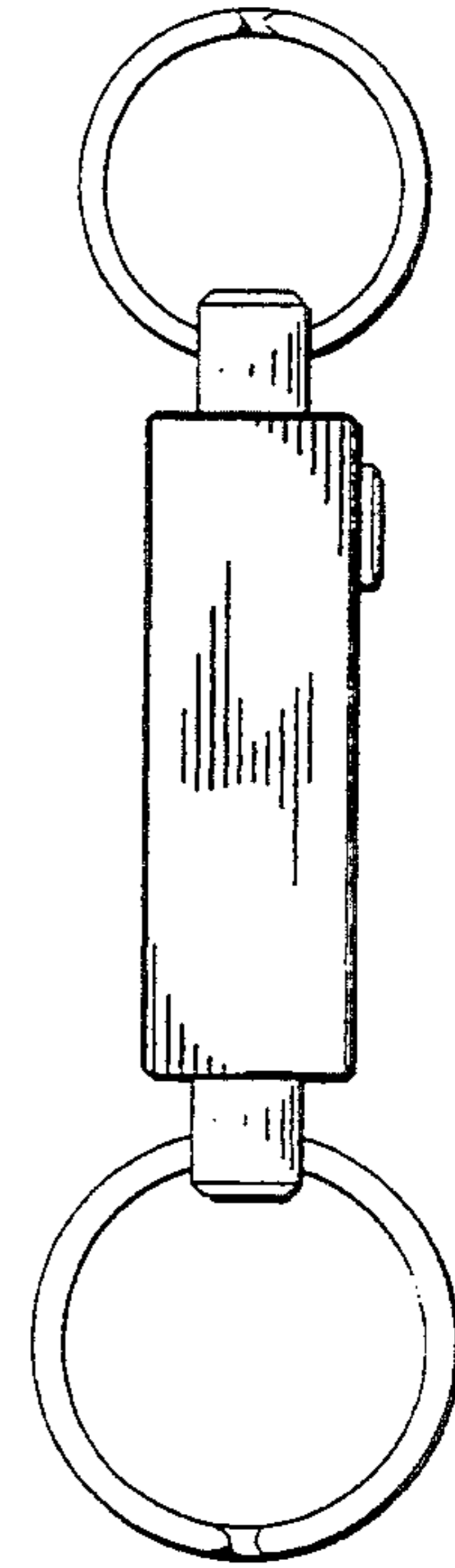
**FIG. 14**



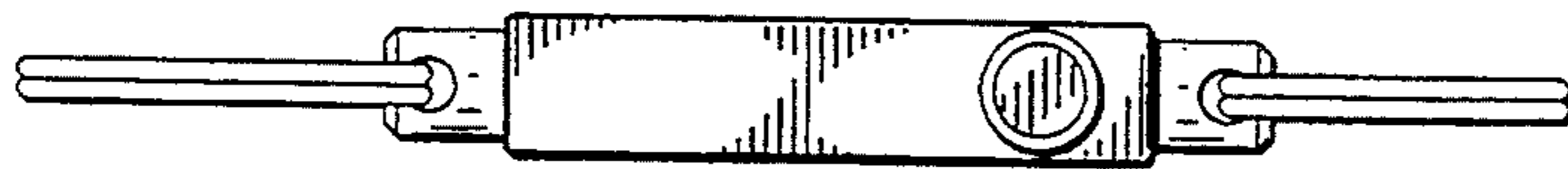
**FIG. 12**



**FIG. 15**



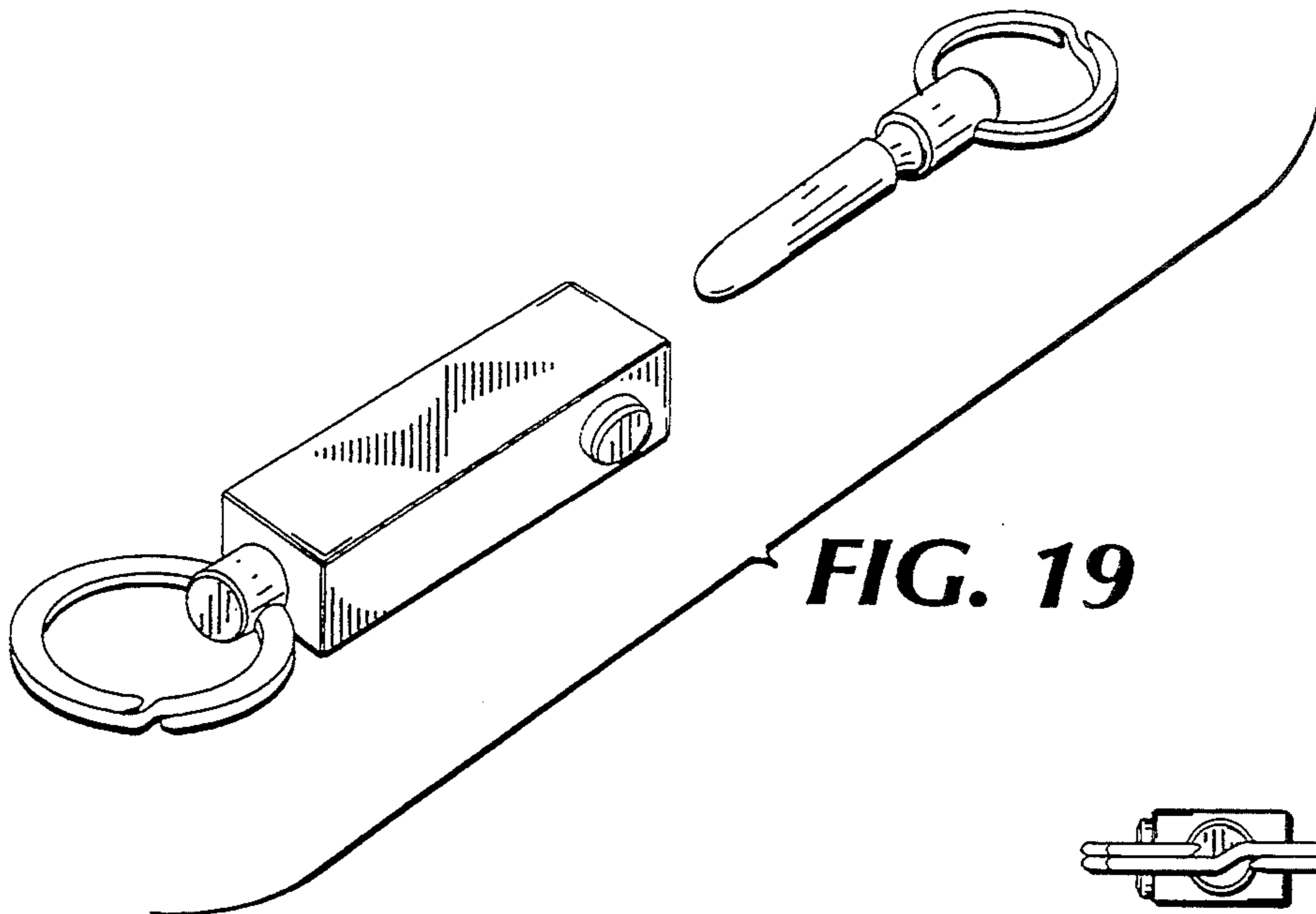
**FIG. 16**



**FIG. 17**



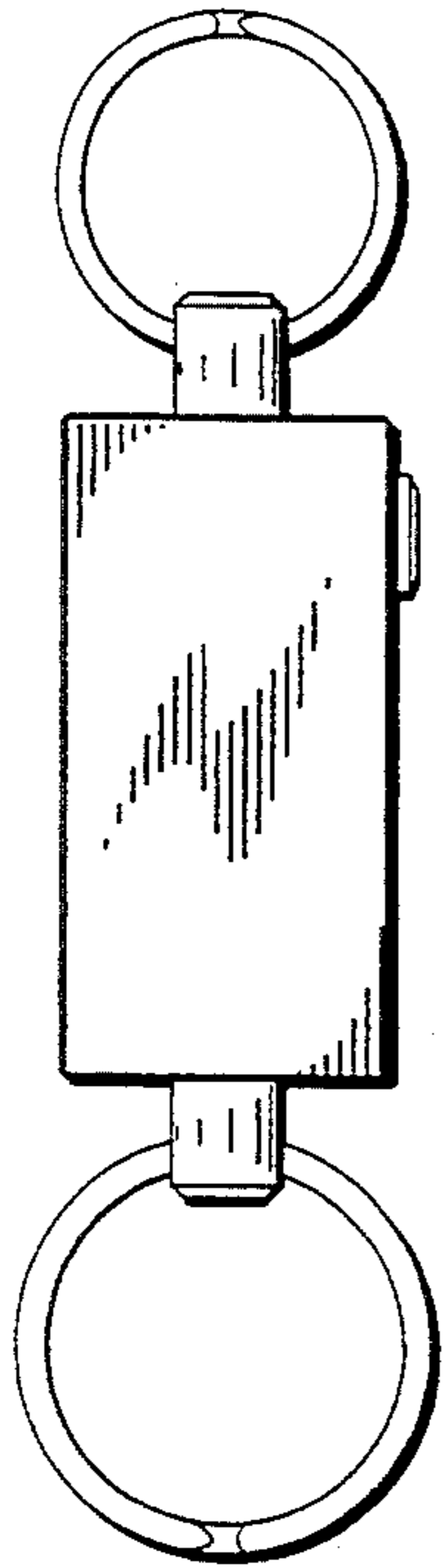
**FIG. 18**



**FIG. 19**



**FIG. 20**



**FIG. 21**



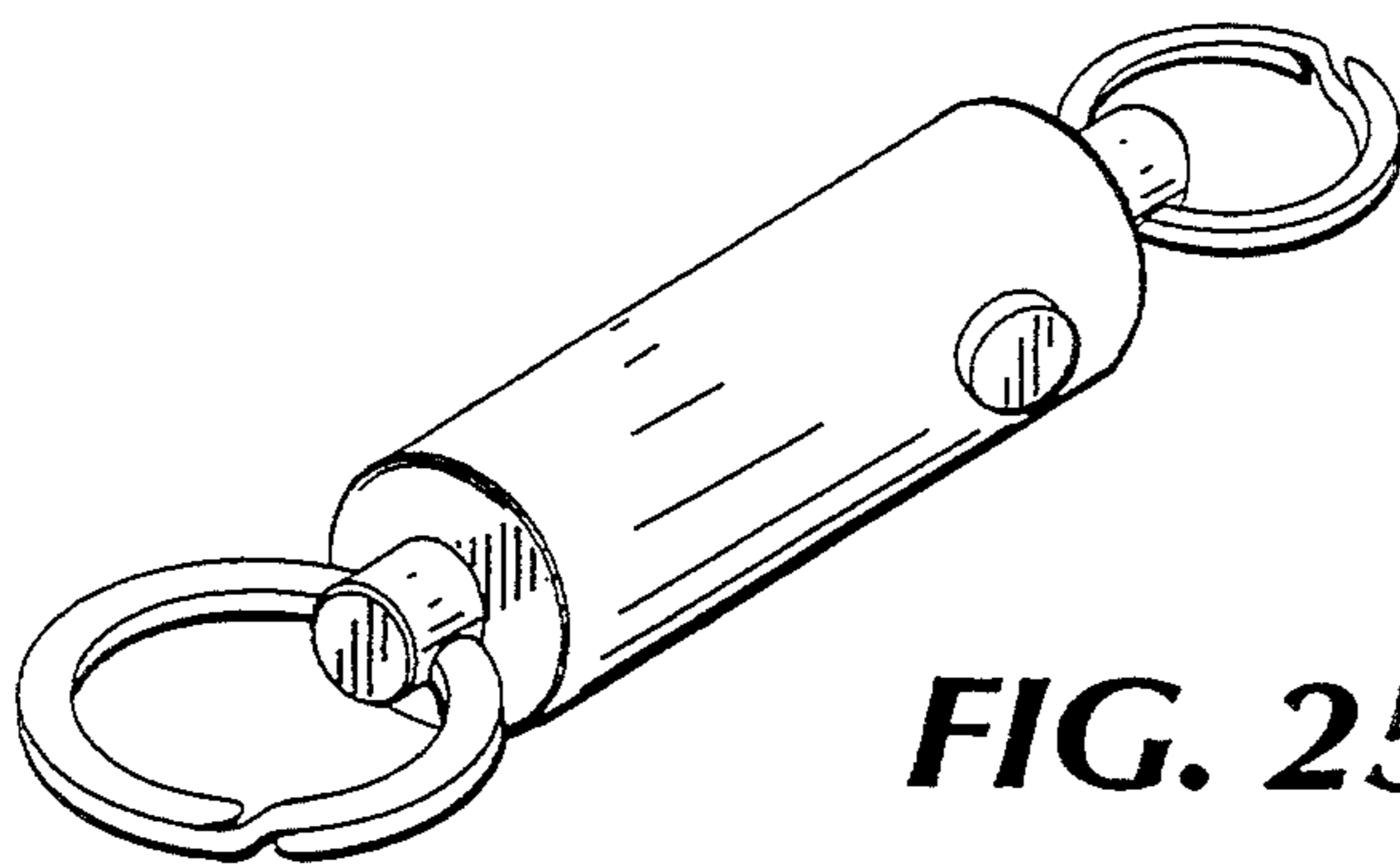
**FIG. 22**



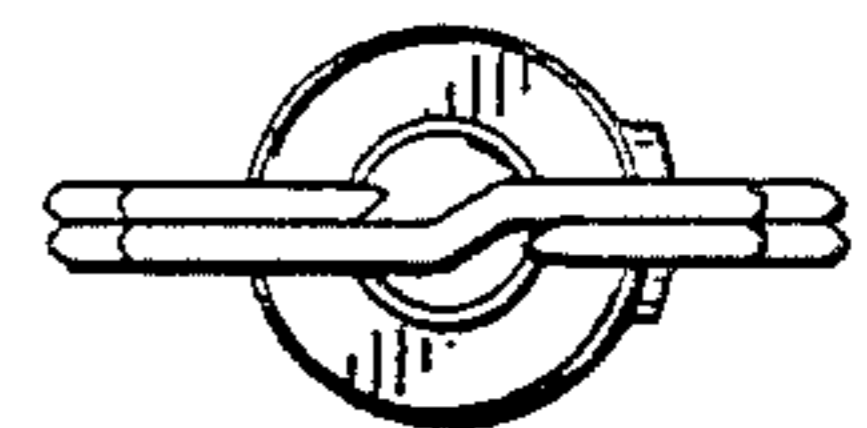
**FIG. 23**



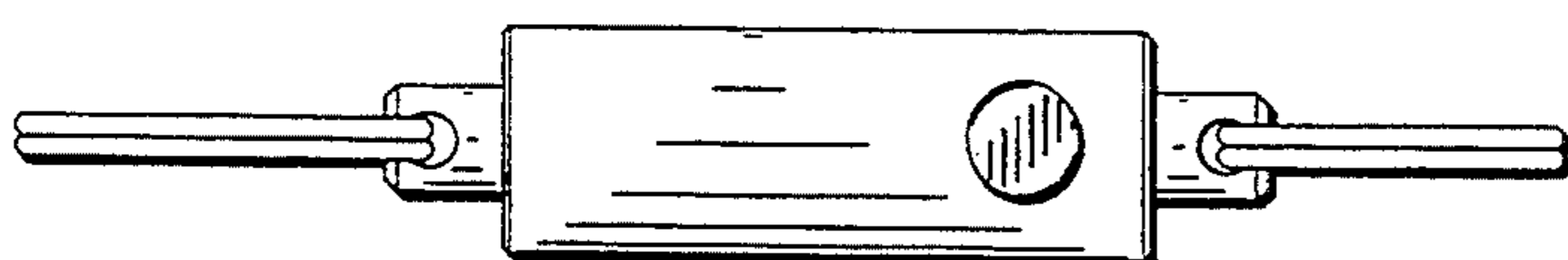
**FIG. 24**



**FIG. 25**



**FIG. 26**



**FIG. 28**



**FIG. 27**

UNITED STATES PATENT AND TRADEMARK OFFICE  
**CERTIFICATE OF CORRECTION**

PATENT NO. : Des. 360,750

DATED : August 1, 1995

INVENTOR(S) : Woodrow C. Stillwagon

It is certified that error appears in the above-identified patent and that said Letters Patent is hereby corrected as shown below:

On the title page of the patent, following line [22],  
insert the following:

RELATED U.S. APPLICATION DATA

[62] Continuation-in-Part of Ser. No. 07/527,254,  
May 23, 1990, now abandoned.

Signed and Sealed this  
Twentieth Day of February, 1996

Attest:



BRUCE LEHMAN

Attesting Officer

Commissioner of Patents and Trademarks