



US00D360736S

United States Patent [19] Bartholomew

[11] Patent Number: **Des. 360,736**
[45] Date of Patent: **** Jul. 25, 1995**

[54] SECURITY BOX
[76] Inventor: **Raymond E. Bartholomew**, 603
Sheridan St., Williamsport, Pa. 17701
[**] Term: **14 Years**
[21] Appl. No.: **18,228**
[22] Filed: **Feb. 2, 1994**
[52] U.S. Cl. **D99/28**
[58] Field of Search **D99/28; D6/349, 336;**
109/17, 19, 23, 28, 34, 37; 232/1 R, 2

2280341 2/1976 France .
2530314 1/1984 France .
2630421 1/1978 Germany .
20007 5/1985 Japan .
23596 3/1901 Switzerland .

Primary Examiner—Alan P. Douglas
Assistant Examiner—J. H. Musgrove
Attorney, Agent, or Firm—Richard C. Litman

[57] CLAIM

The ornamental design for a security box, as shown and described.

[56] References Cited

U.S. PATENT DOCUMENTS

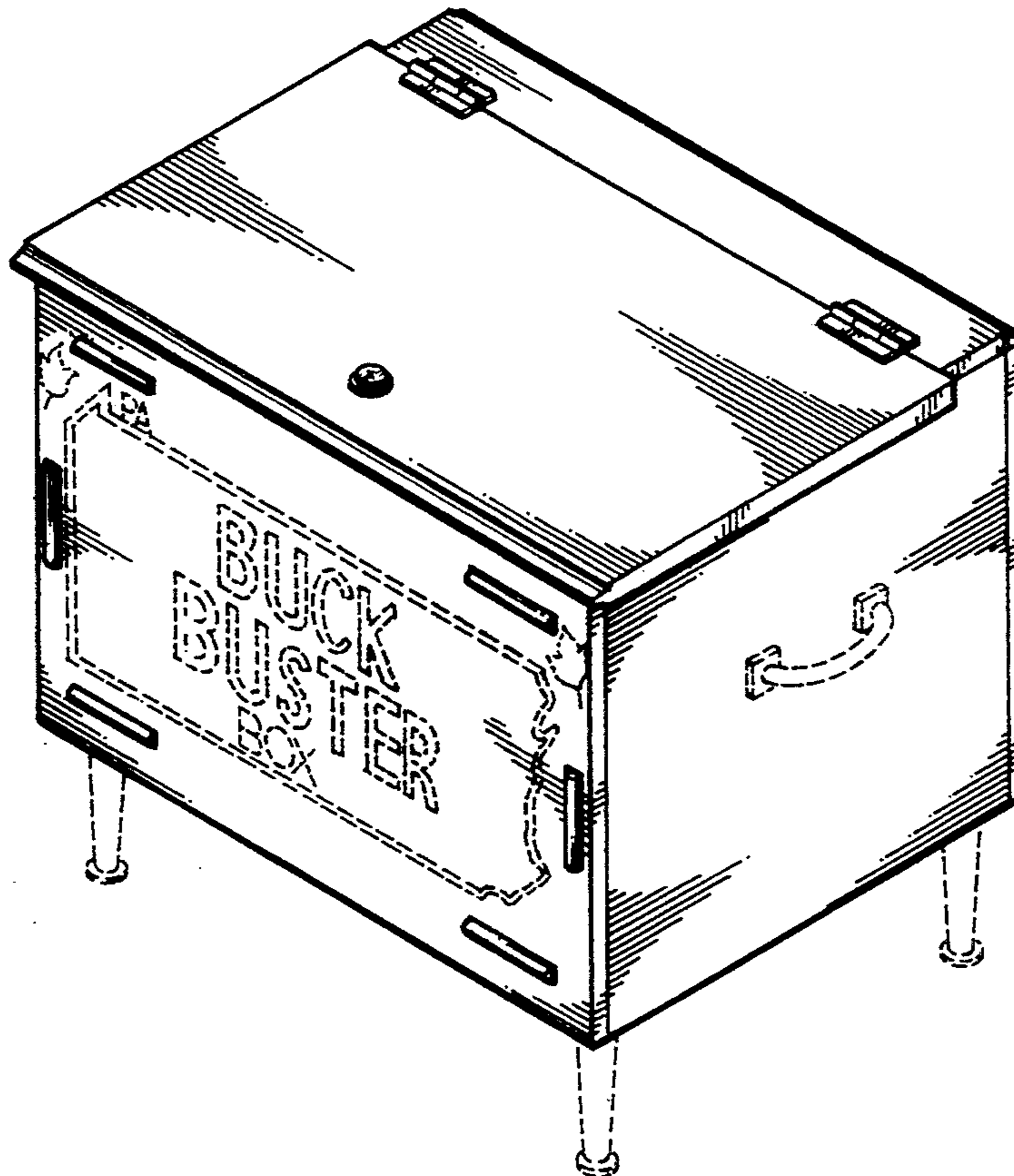
- D. 16,689 5/1886 Horn .
- D. 68,313 9/1925 Jones .
- D. 252,430 7/1979 Oakley et al. .
- D. 263,100 2/1982 Thompson .
- D. 324,965 3/1992 Nelsen .
- D. 325,282 4/1992 Scaife D99/28
- D. 325,831 5/1992 Rosen .
- D. 326,344 5/1992 Fitermann et al. D99/28
- D. 327,793 7/1992 McGrory D99/28
- D. 328,399 8/1992 McGrory et al. D99/28
- 2,702,441 2/1955 Jones .
- 4,838,626 6/1989 Parr .

FOREIGN PATENT DOCUMENTS

- 1238958 7/1960 France .
- 2036139 12/1970 France .

DESCRIPTION

FIG. 1 is a perspective view of a security box showing my new design;
FIG. 2 is a perspective view thereof showing a lid thereof in an opened position;
FIG. 3 is a front elevational view thereof;
FIG. 4 is a rear elevational view thereof;
FIG. 5 is a top view thereof;
FIG. 6 is a top view thereof showing a lid thereof in an opened position; and,
FIG. 7 is a left side elevational view thereof with the right side being a mirror image thereof.
The broken line showing of the state of Pennsylvania with letters and leaves in FIGS. 1, 2, and 3, the legs in FIGS. 1, 2, 3, 4, and 7, and the handles in FIGS. 1, 2, 3, 4, 5, and 7 is for illustrative purposes only and forms no part of the claimed design.



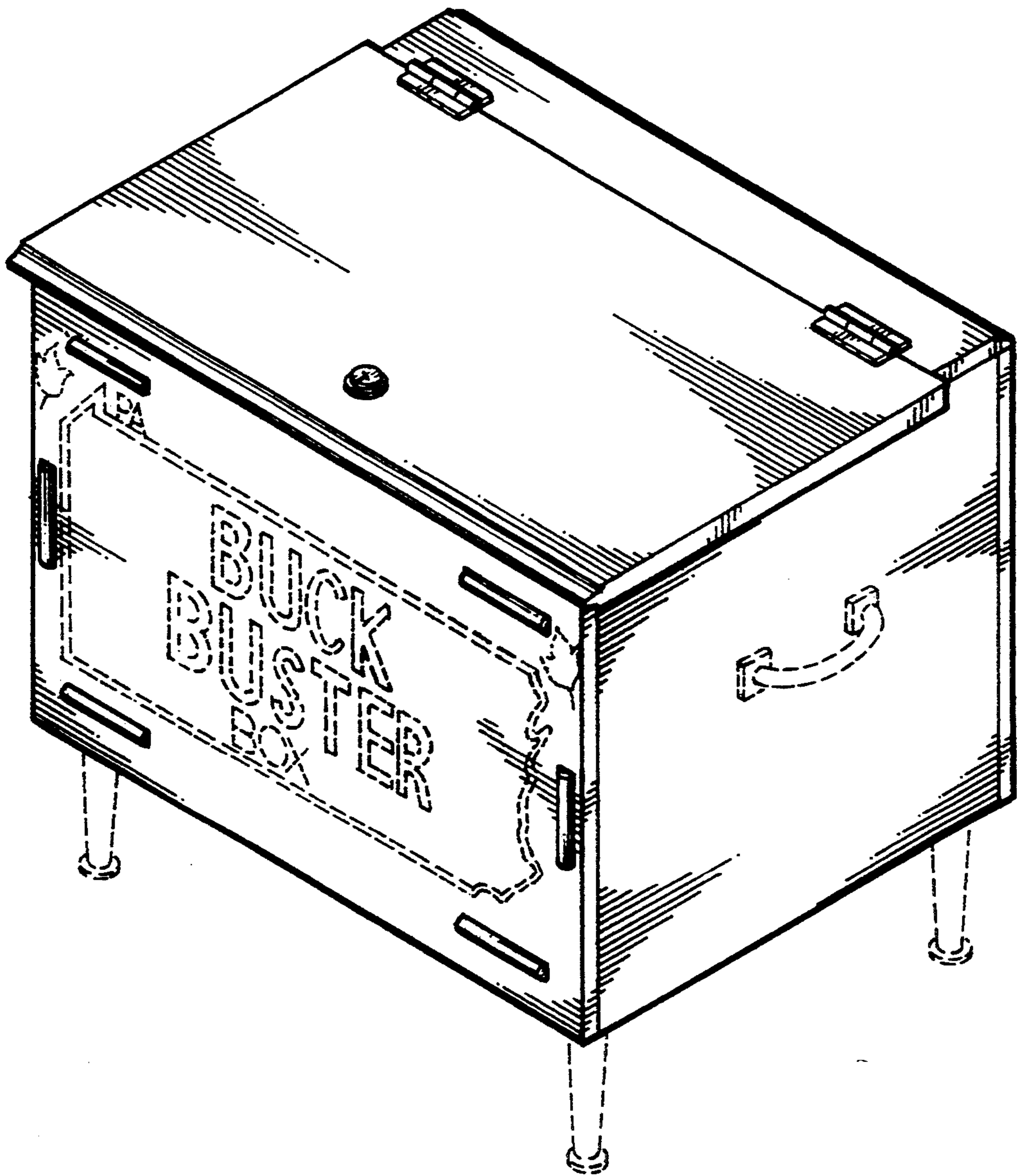


FIG. 1

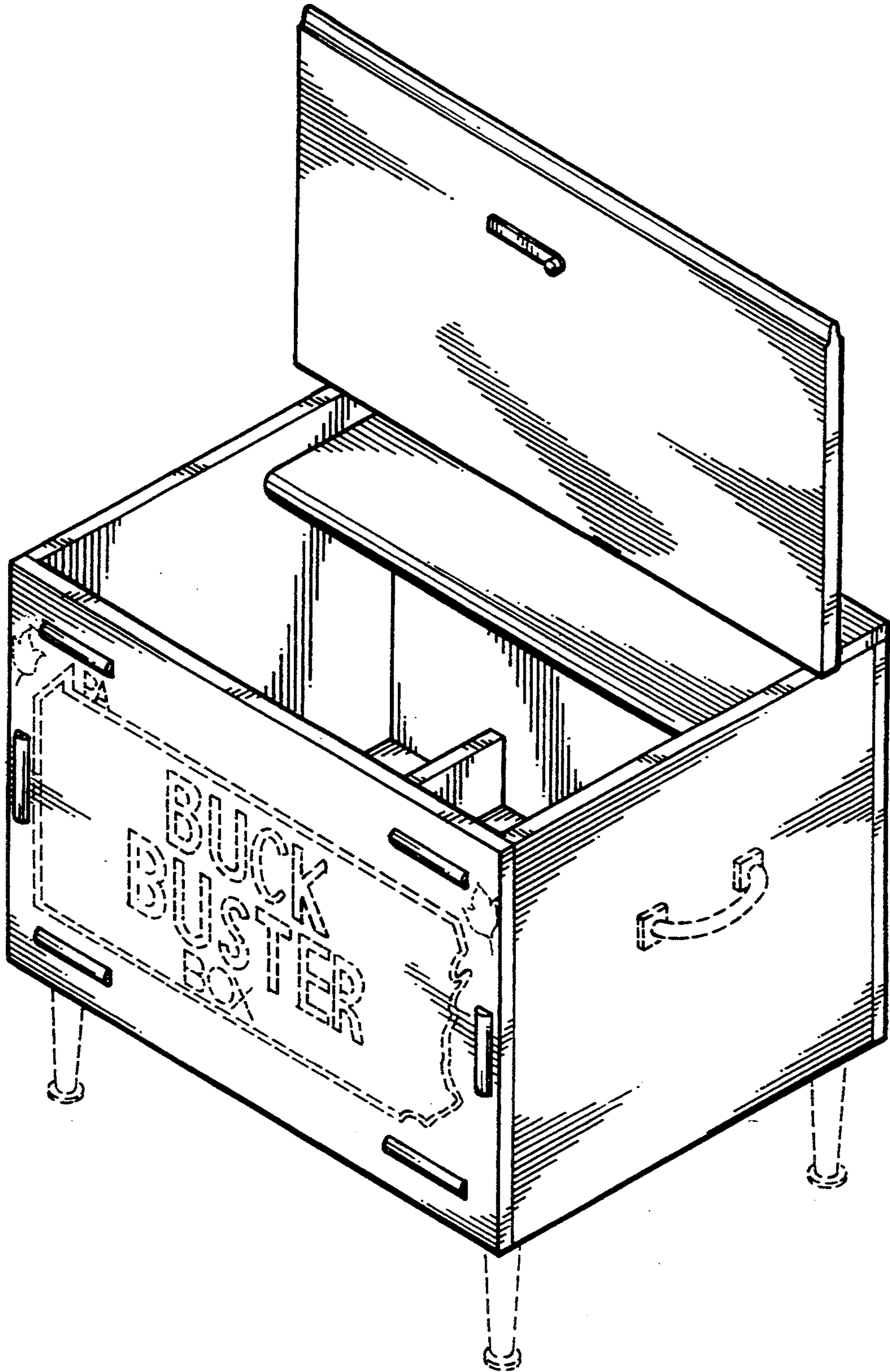


FIG. 2

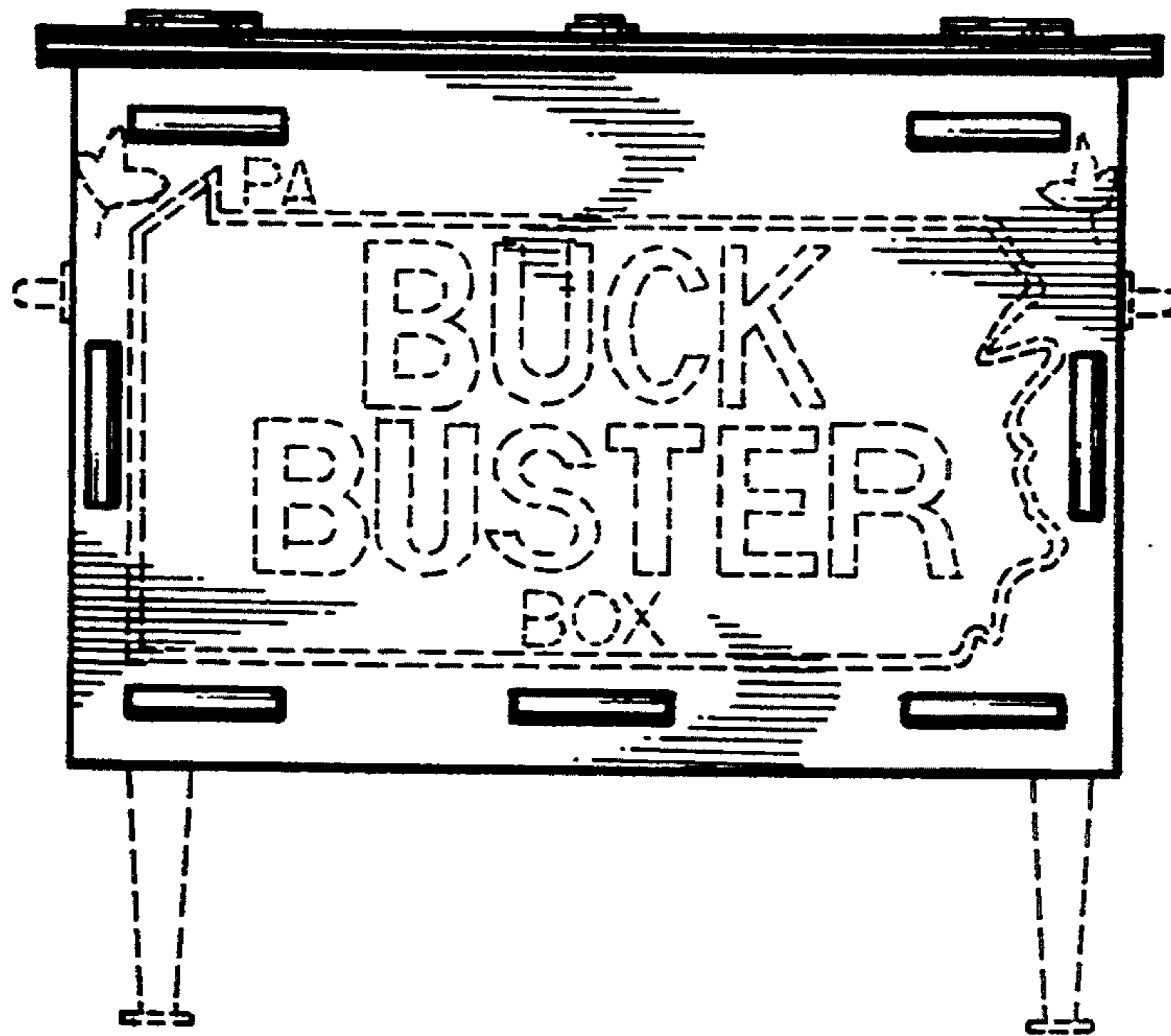


FIG. 3

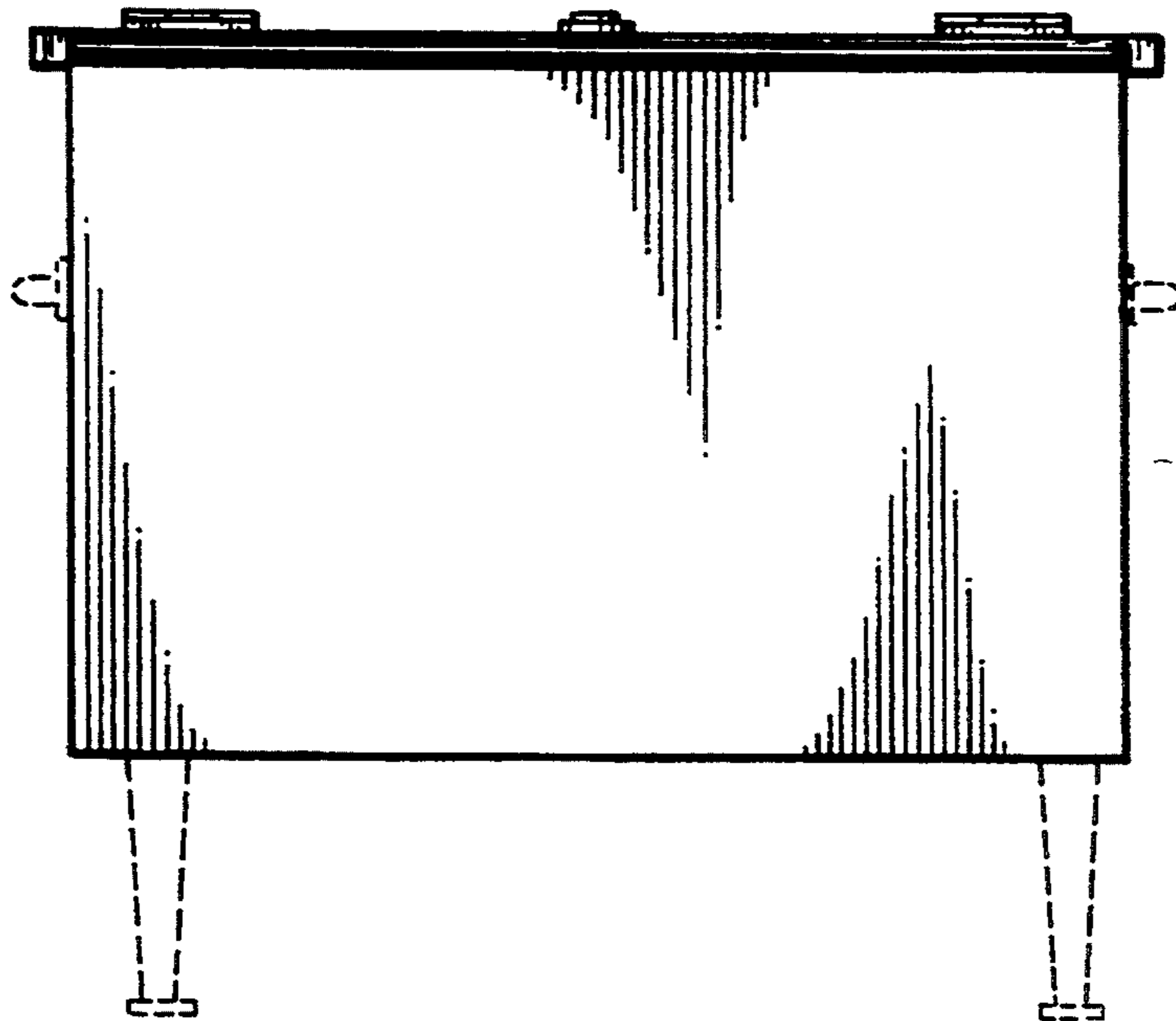


FIG. 4

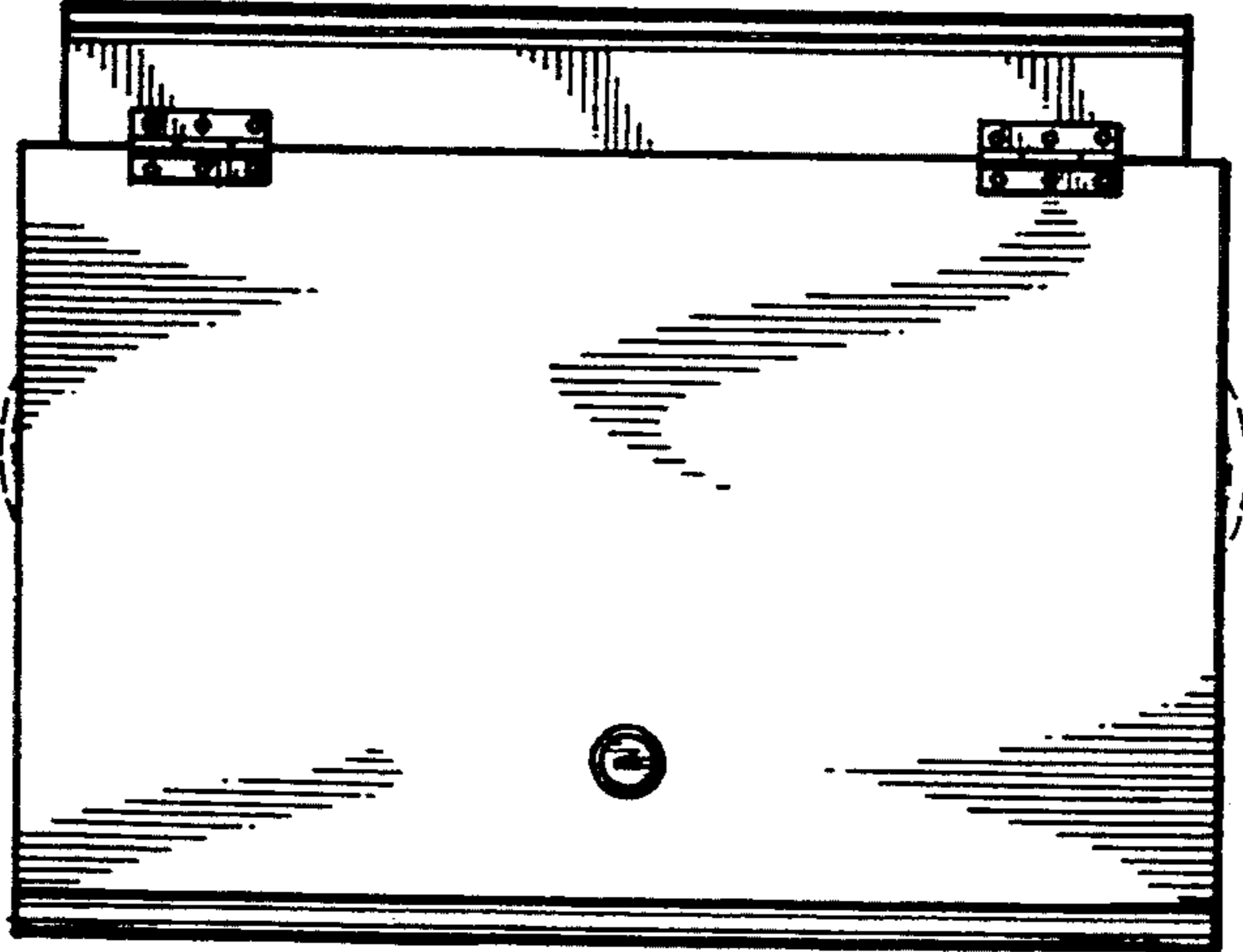


FIG. 5

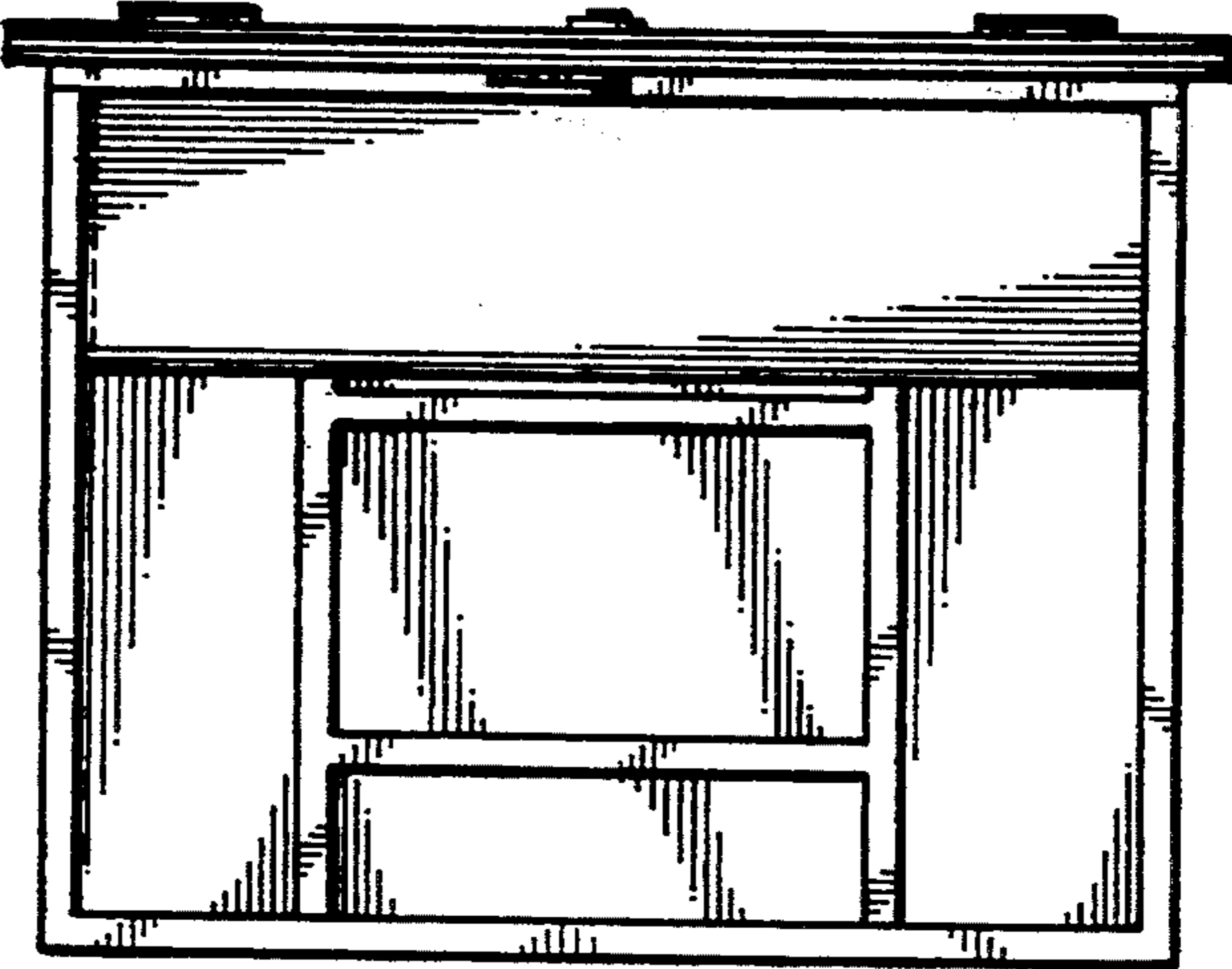


FIG. 6

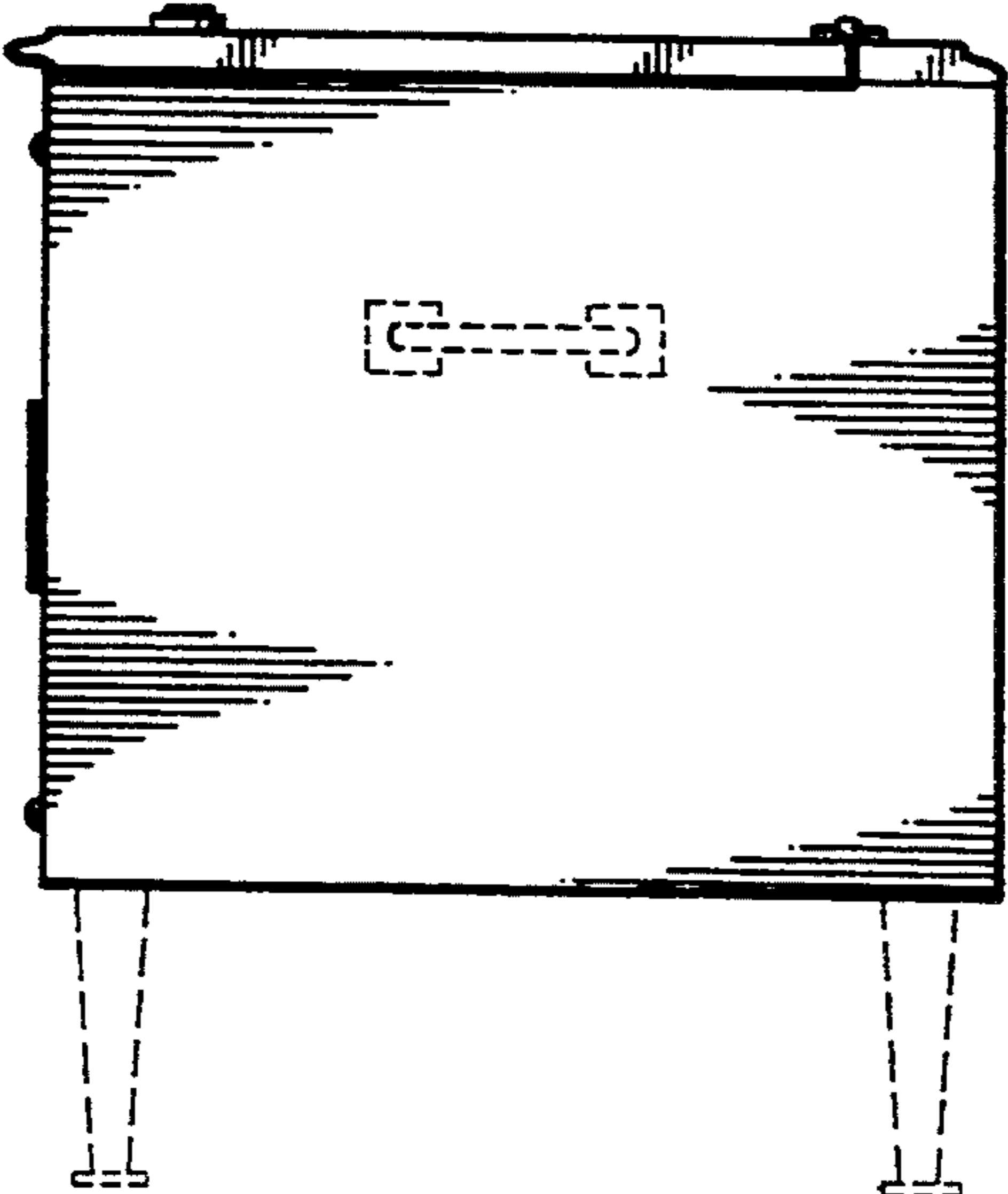


FIG. 7