



US00D360729S

United States Patent [19]

Collins

[11] Patent Number: Des. 360,729

[45] Date of Patent: ** Jul. 25, 1995

[54] ATV RAMP UNIT FOR A PICKUP TRUCK

[76] Inventor: Gary B. Collins, 16743 Chipeta Dr., Montrose, Colo. 81401

[**] Term: 14 Years

[21] Appl. No.: 12,931

[22] Filed: Sep. 13, 1993

[52] U.S. Cl. D34/32

[58] Field of Search D34/28, 32; 14/69.5, 14/71.1; 414/537, 228; 254/88; D12/154

[56] References Cited

U.S. PATENT DOCUMENTS

1,528,934	3/1925	McMahon	254/88
4,120,485	10/1978	McConnell	254/88
5,141,371	8/1992	Pish	254/88

Primary Examiner—James M. Gandy

Assistant Examiner—Robin V. Taylor

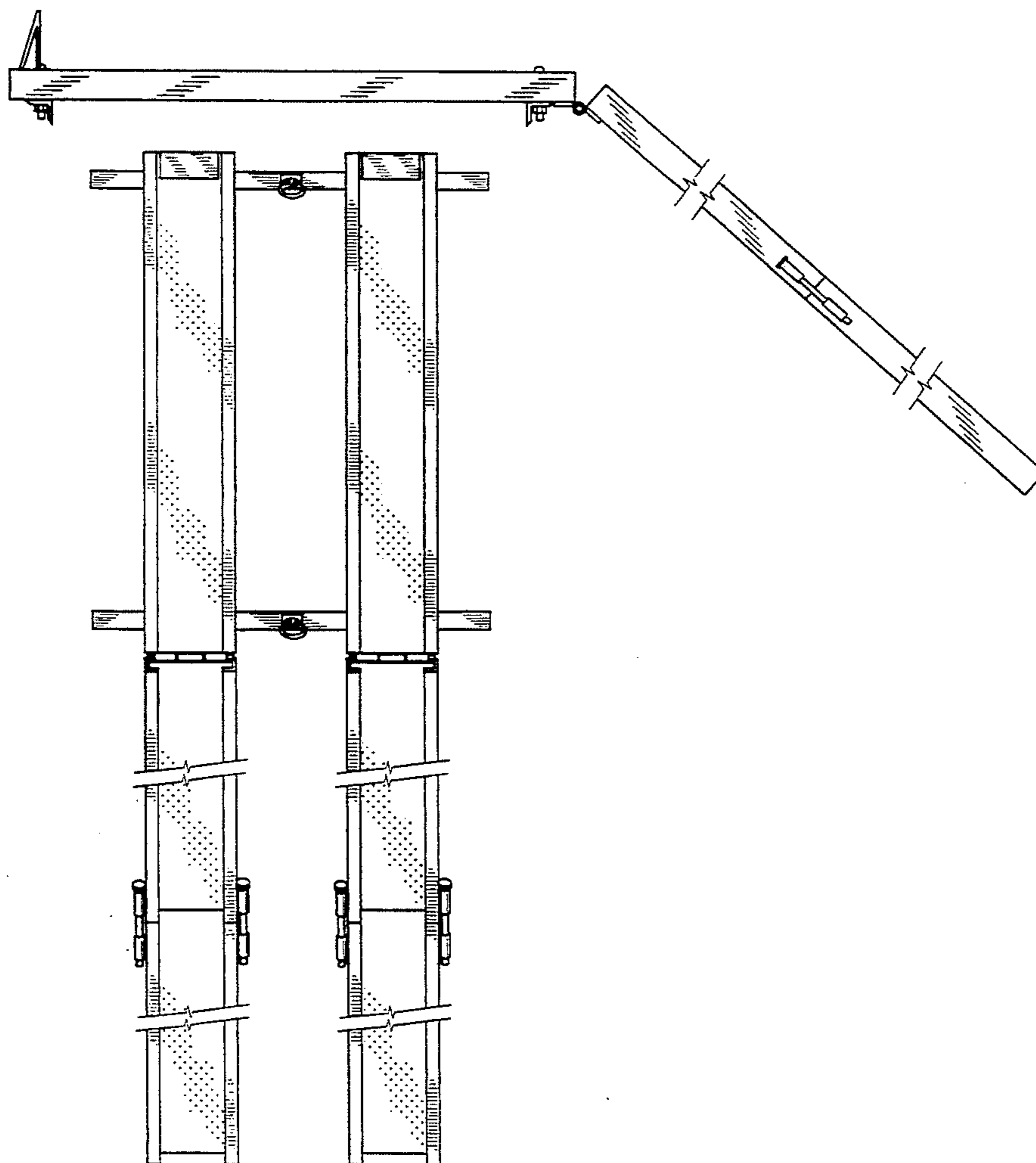
Attorney, Agent, or Firm—Donald W. Erickson

[57] CLAIM

The ornamental design for an ATV pickup caddy, as shown and described herein.

DESCRIPTION

FIG. 1 is a top plan view of my ATV (All Terrain Vehicle) pickup caddy showing my new design; FIG. 2 is a side view thereof, the other side being identical thereof; FIG. 3 is a bottom plan view thereof; FIG. 4 is an end view thereof as seen from the right of the platform; FIG. 5 is an end view thereof as seen from the left of the platform; FIG. 6 is an end view of one of the tracks as seen from the right of the ramp portion thereof, shown separately for ease of illustration, it being understood that the remaining track is the same as that shown; FIG. 7 is an end view of one of the tracks as seen from the left of the ramp portion thereof, shown separately for ease of illustration, it being understood that the remaining track is the same as that shown; and, FIG. 8 is a top plan view of another embodiment thereof, it being understood that the sole difference resides in the addition of a second adjacent platform unit. The tracks of the ramp are shown broken away to indicate indeterminate length.



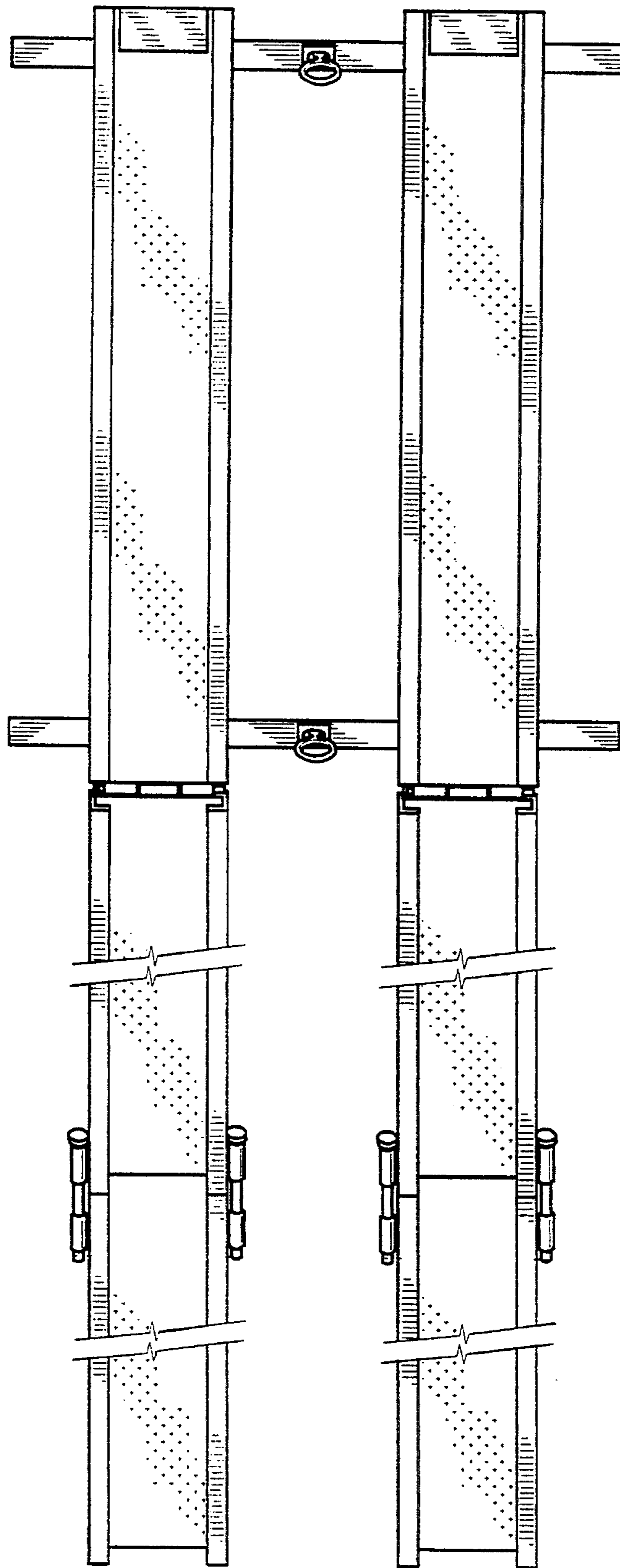


FIG. 1

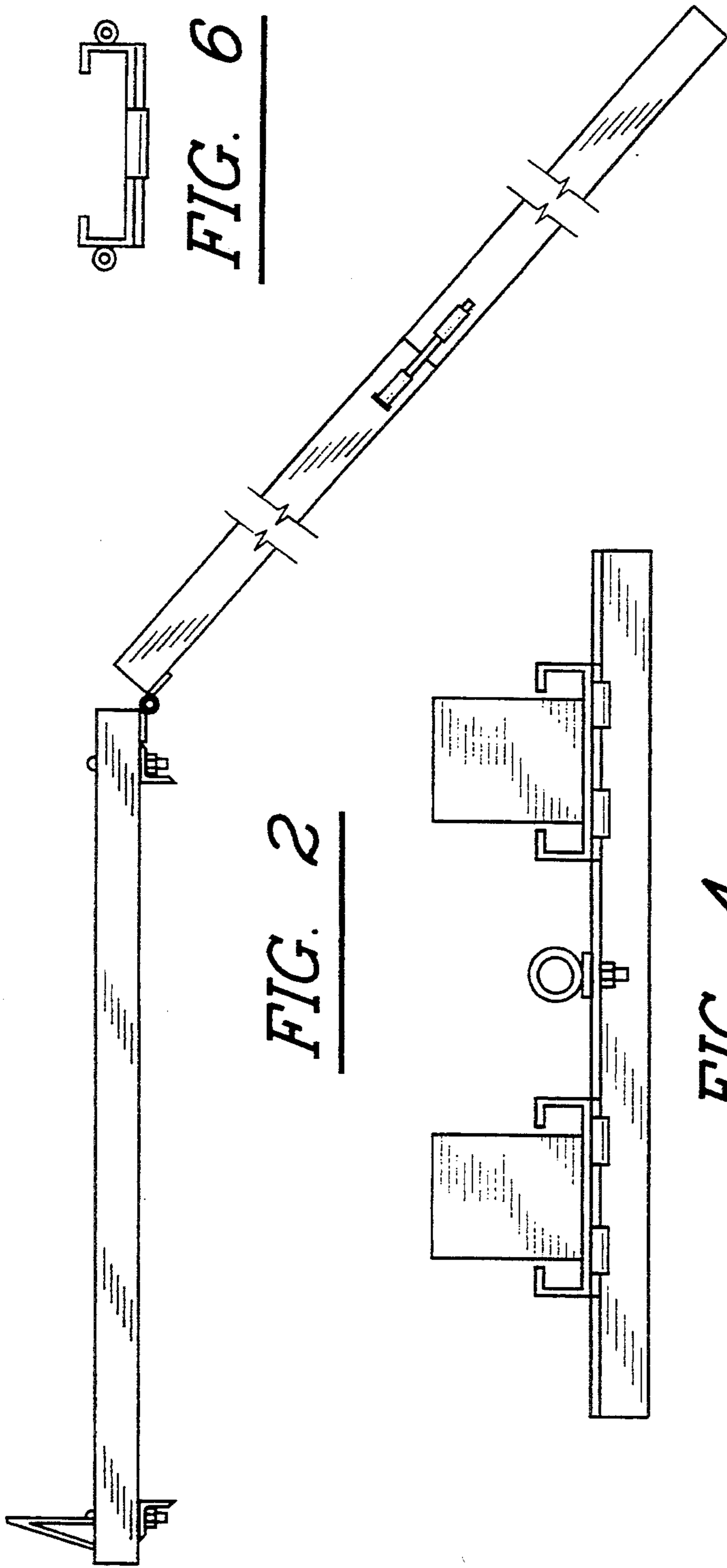


FIG. 2

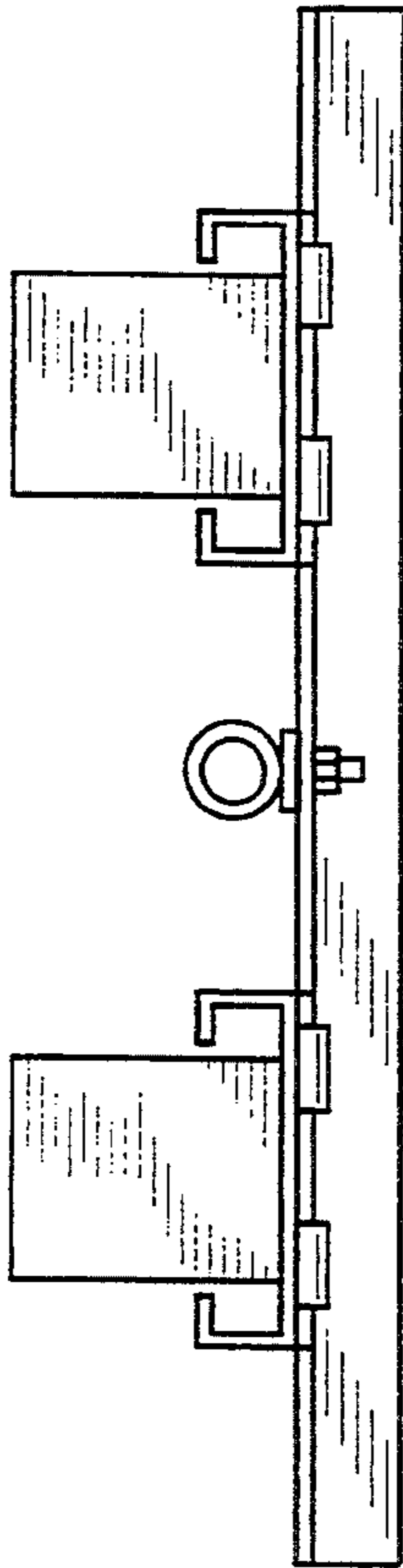


FIG. 4

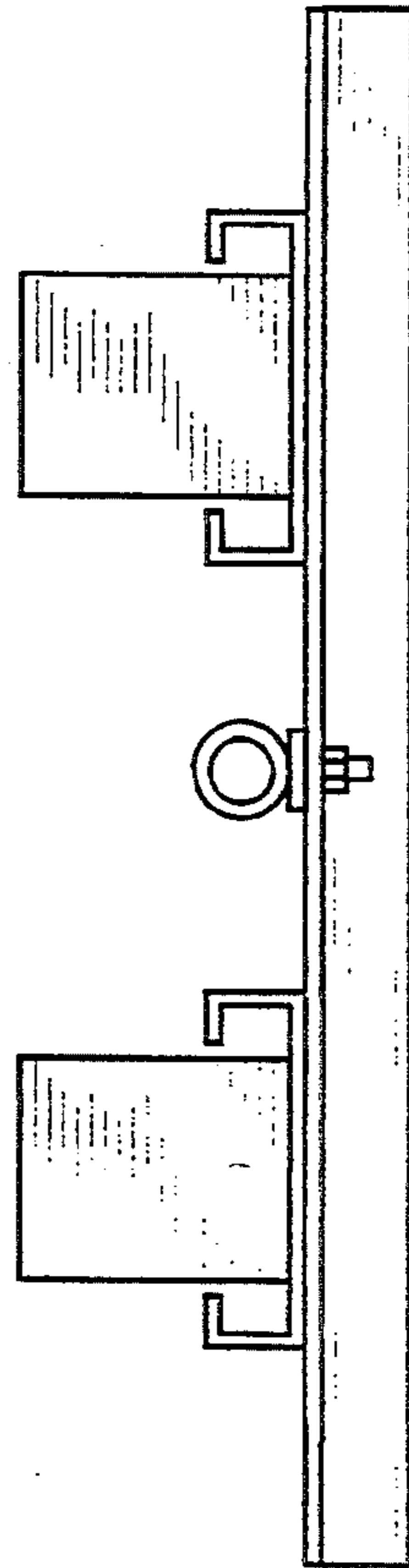


FIG. 5

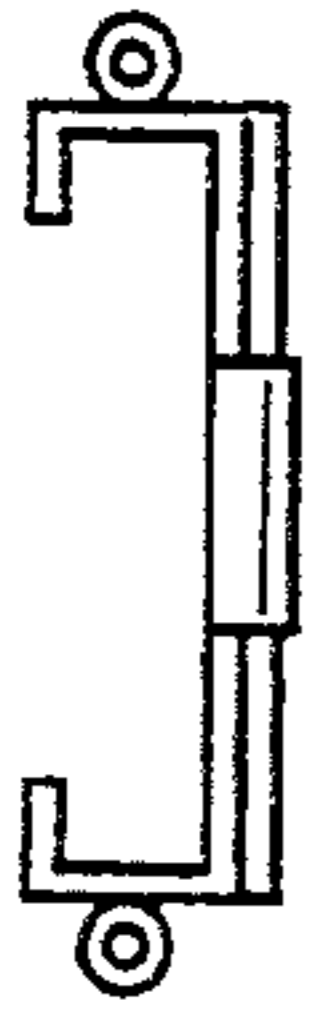


FIG. 6



FIG. 7

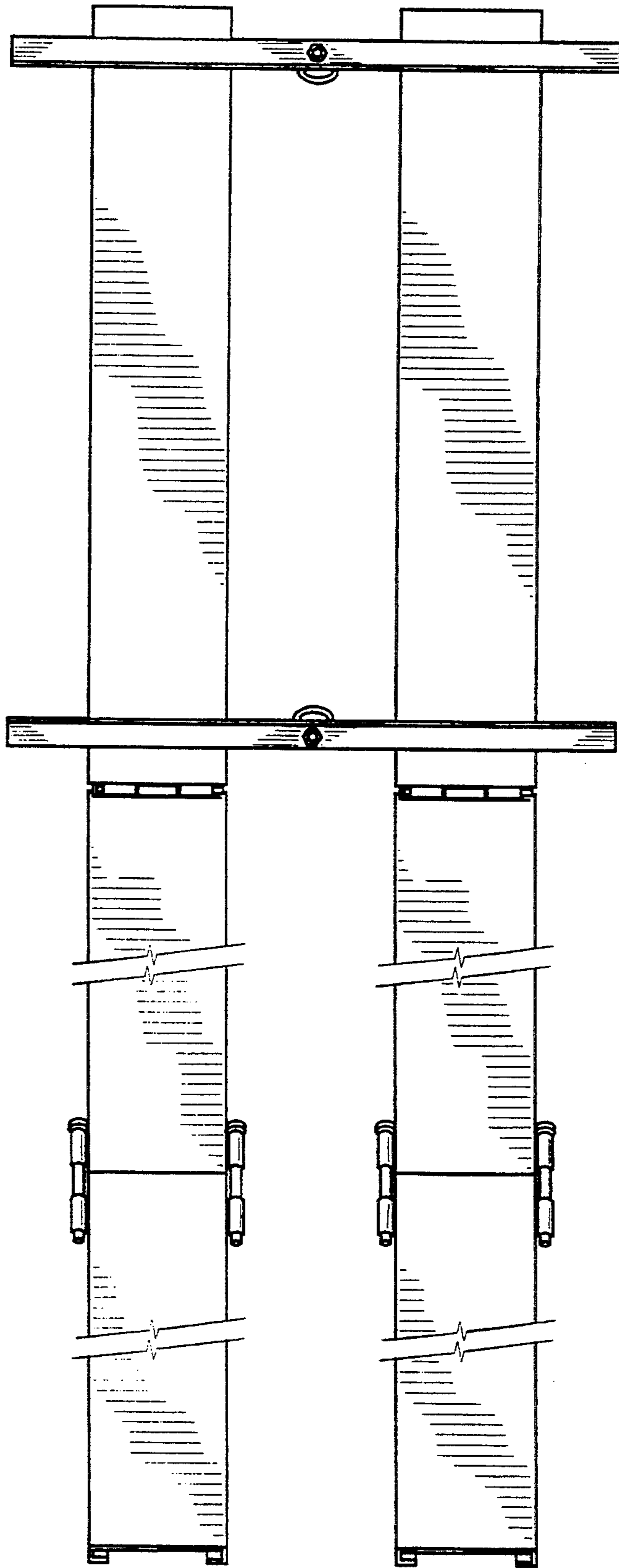


FIG. 3

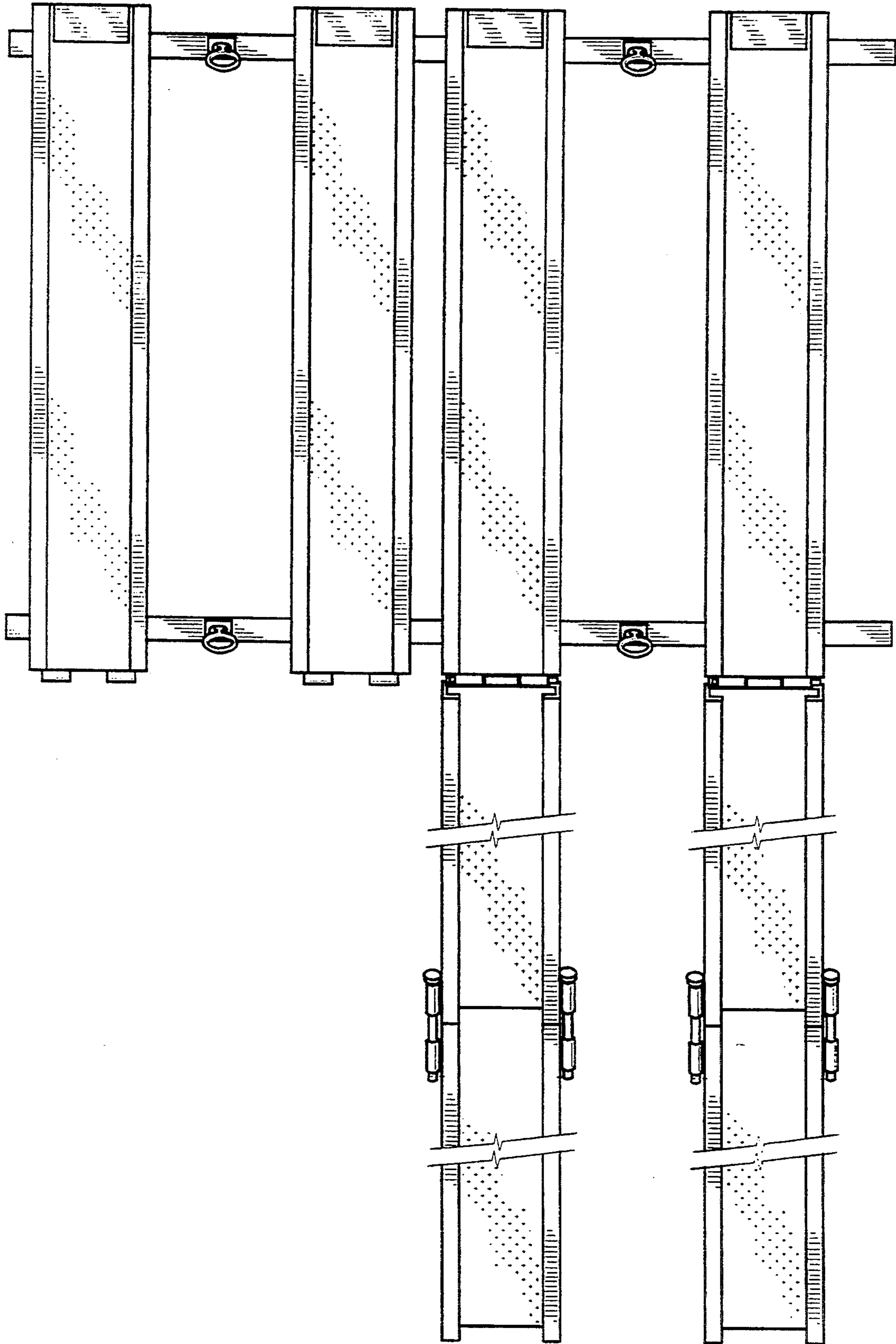


FIG. 8