



US00D360728S

United States Patent [19]

[11] Patent Number: **Des. 360,728**

Nozaki

[45] Date of Patent: **** Jul. 25, 1995**

[54] **RAIL FOR A LINEAR MOTOR DRIVEN CONVEYANCE DEVICE FOR CONVEYING SMALL THINGS**

| | | | |
|-----------|--------|-----------|---------|
| 4,520,733 | 6/1985 | Willmann | 104/93 |
| 4,531,460 | 7/1985 | Pamer | 104/107 |
| 4,733,615 | 3/1988 | Volkstorf | 104/93 |

[75] Inventor: **Takashi Nozaki**, Ise, Japan
 [73] Assignee: **Shinko Electric Co., Ltd.**, Tokyo, Japan
 [**] Term: **14 Years**
 [21] Appl. No.: **19,129**
 [22] Filed: **Feb. 23, 1994**

Primary Examiner—Susan J. Lucas
Assistant Examiner—Robin V. Taylor
Attorney, Agent, or Firm—Thompson, Hine & Flory

[57] **CLAIM**

The ornamental design for a rail for a linear motor driven conveyance device for conveying small things, as shown and described.

DESCRIPTION

[30] **Foreign Application Priority Data**

Aug. 27, 1993 [JP] Japan 5-26172

[52] U.S. Cl. **D34/29; D25/119**

[58] Field of Search D34/29, 28; 104/93, 104/106, 107; 105/150; 198/619

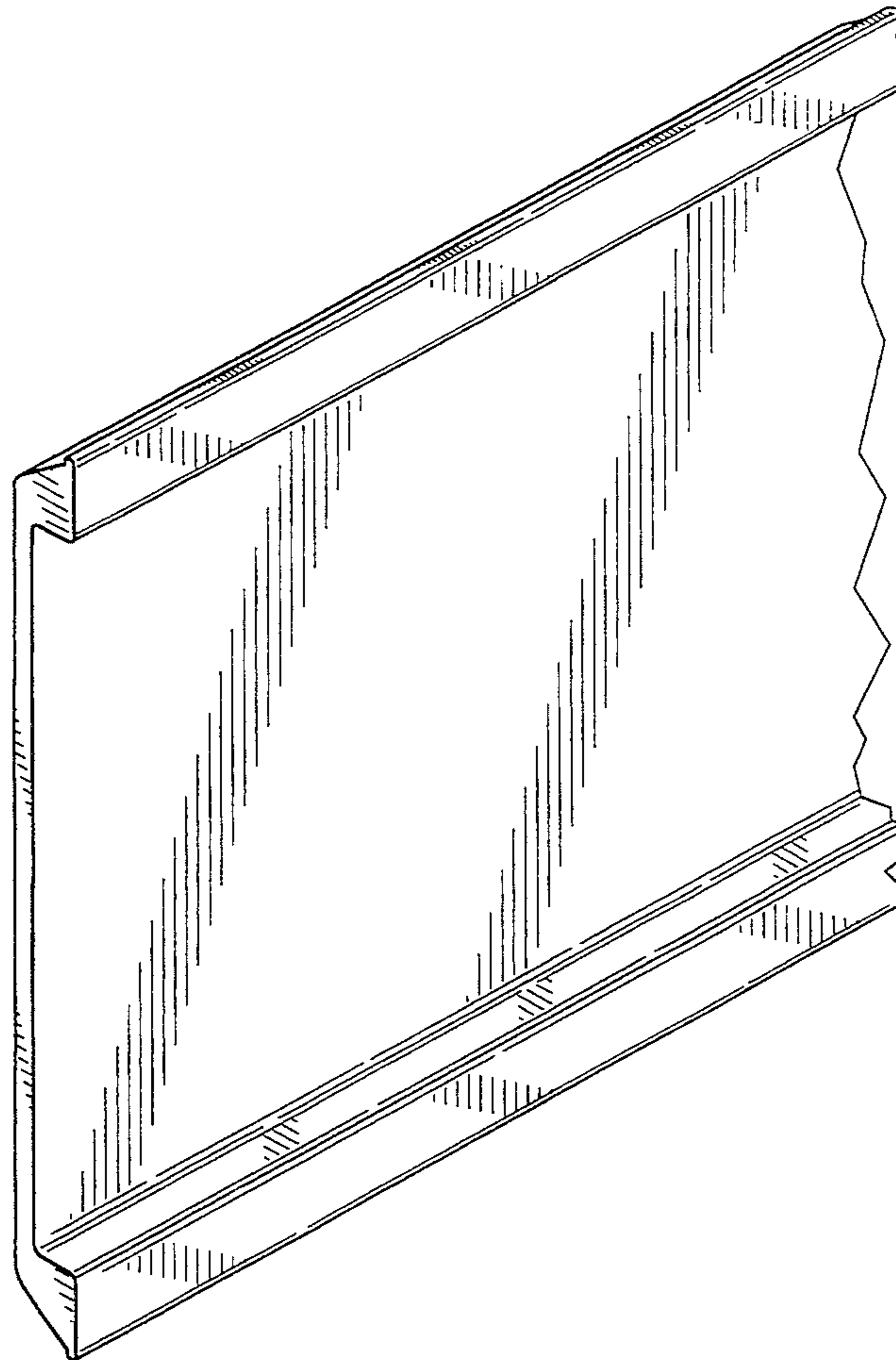
FIG. 1 is a perspective view of a rail for a linear motor driven conveyance device for conveying small things showing my new design;
 FIG. 2 is a front elevational view thereof;
 FIG. 3 is a rear elevation view thereof;
 FIG. 4 is a top plan view thereof;
 FIG. 5 is a bottom view thereof;
 FIG. 6 is a left side elevational view thereof, the right side being a mirror image; and,
 FIG. 7 is a cross-sectional view taken along line 7—7 in FIG. 2.

[56] **References Cited**

U.S. PATENT DOCUMENTS

| | | | |
|------------|---------|--------------|---------|
| D. 238,510 | 1/1976 | Tabler | D34/29 |
| D. 309,817 | 8/1990 | Burkett | D34/29 |
| 3,922,970 | 12/1975 | Ontwikkeling | 104/106 |
| 3,974,777 | 8/1976 | Monne | 104/106 |
| 4,015,537 | 5/1977 | Graef et al. | 104/107 |

The rail in FIGS. 1-5 is shown broken away to indicate indeterminate length.



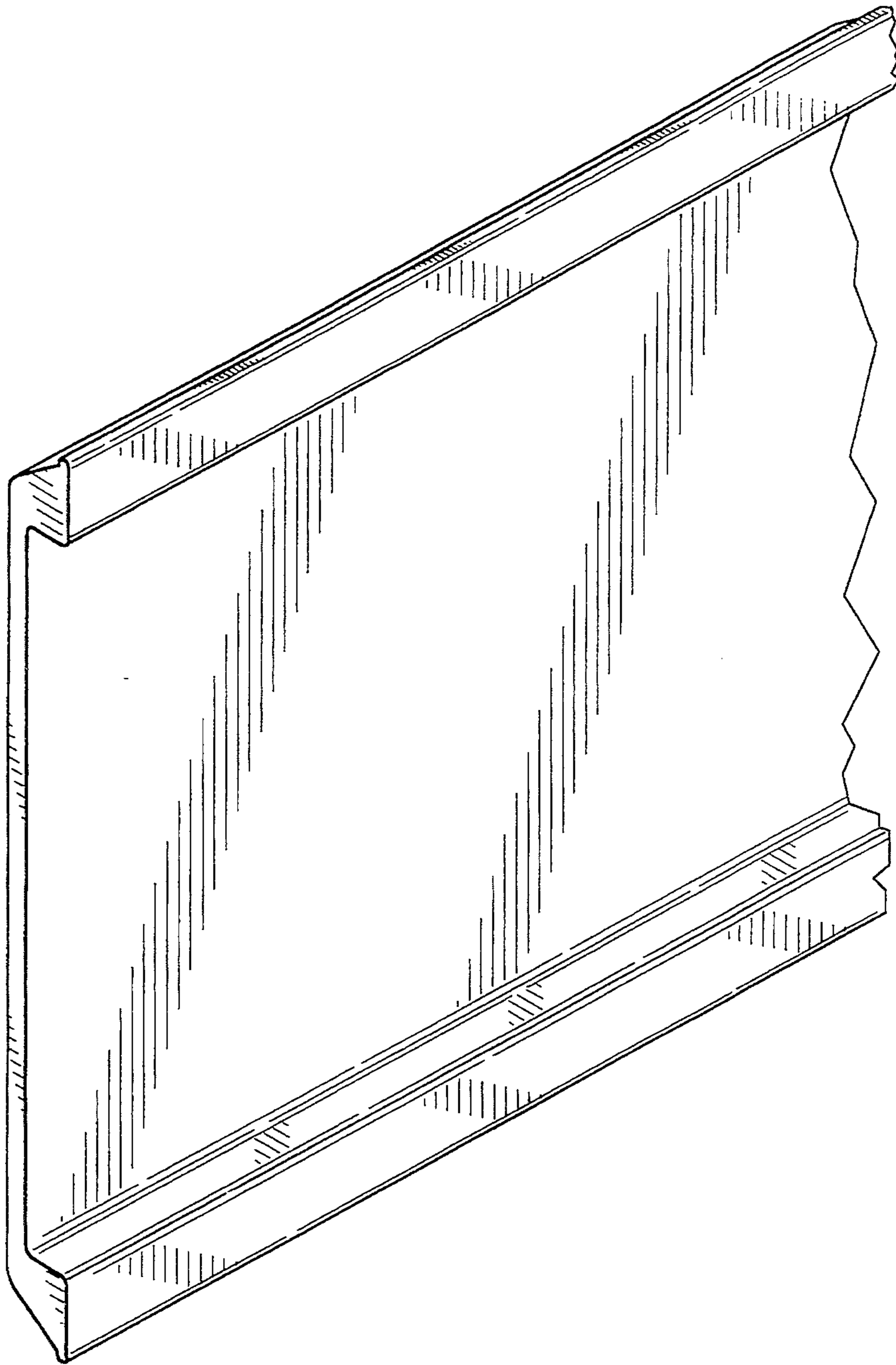


FIG. 1

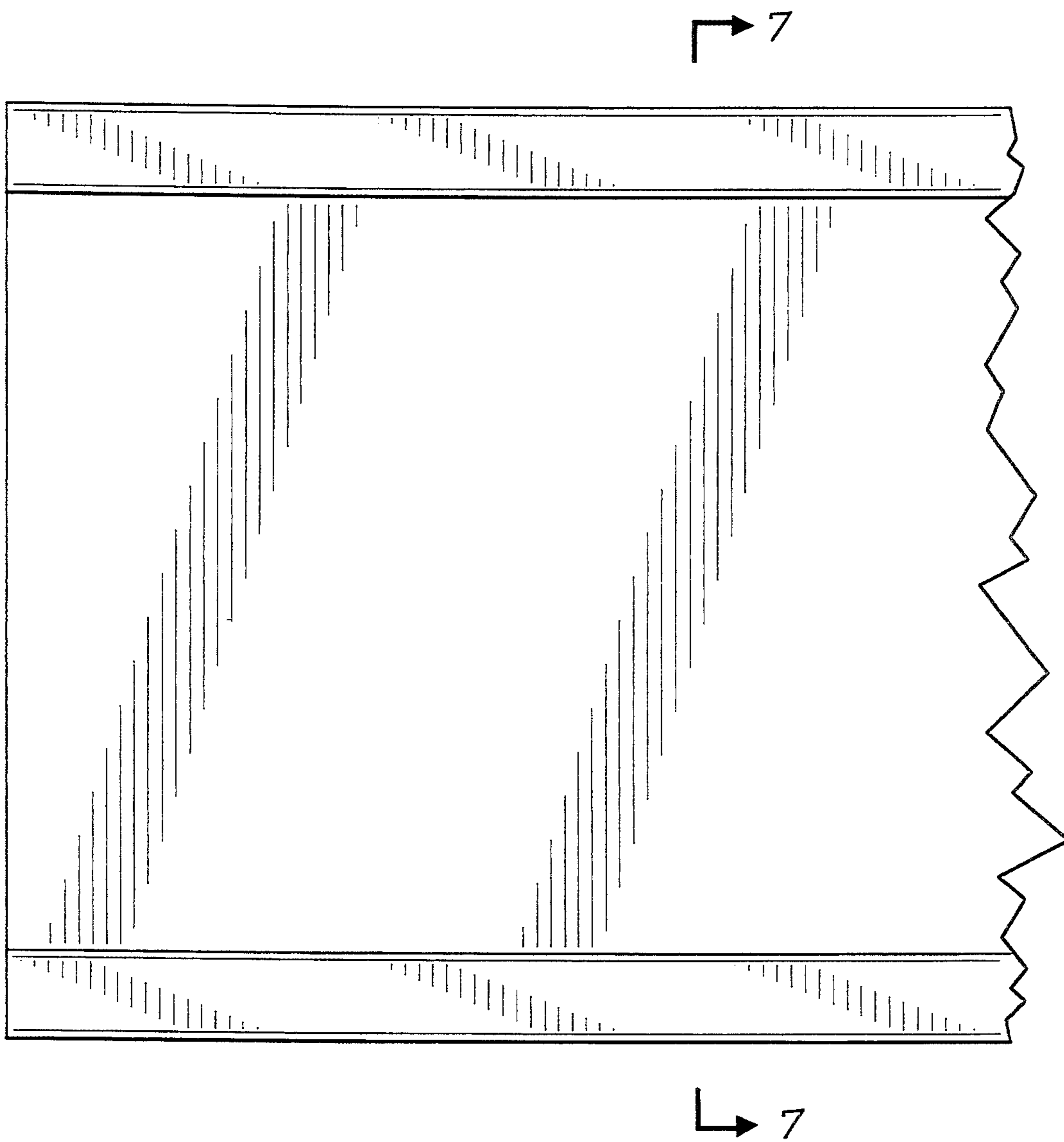


FIG. 2

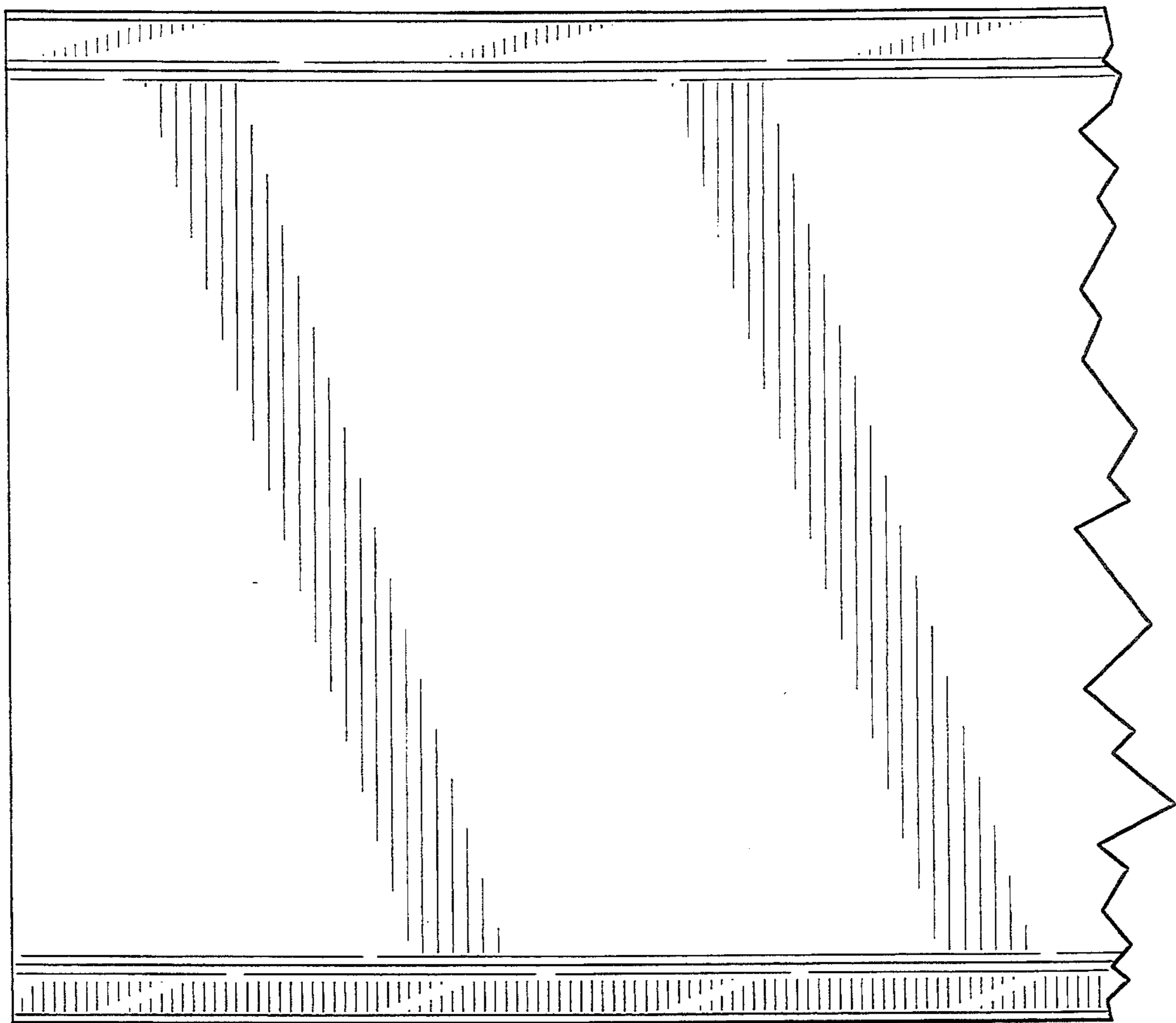


FIG. 3

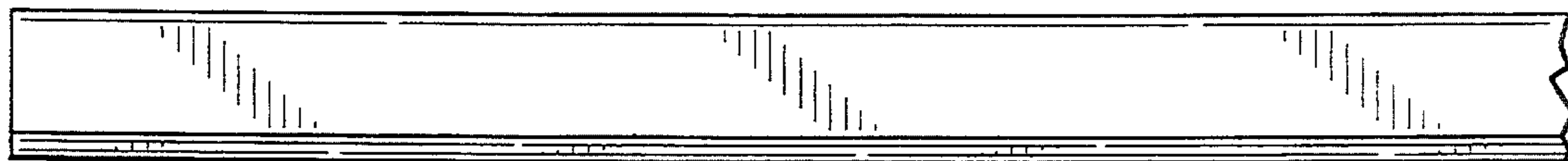


FIG. 4



FIG. 5

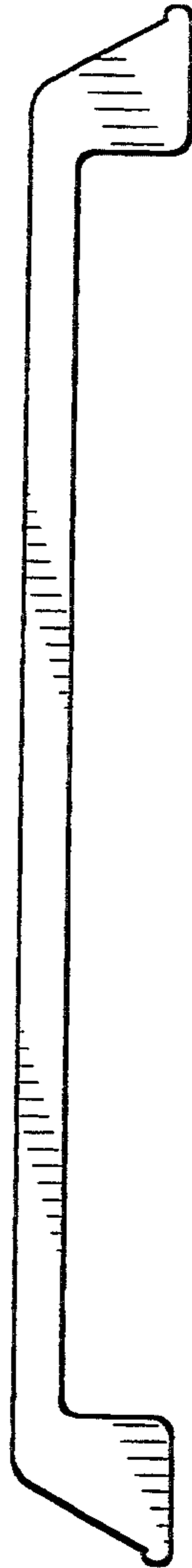


FIG. 6

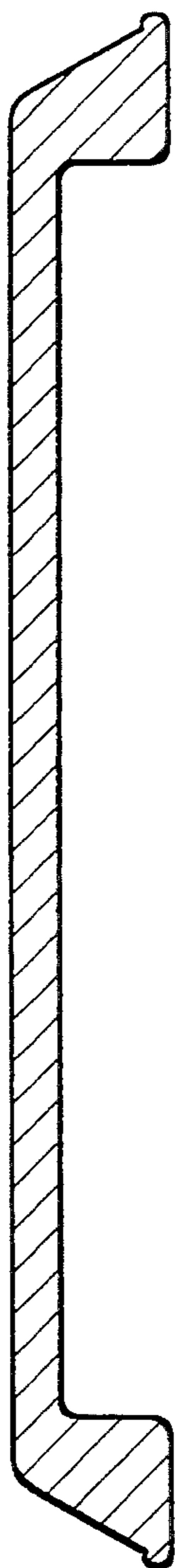


FIG. 7