



US00D360725S

United States Patent [19] Snell

[11] Patent Number: **Des. 360,725**
[45] Date of Patent: **** Jul. 25, 1995**

[54] **BOOK CART**
[75] Inventor: **Rusty B. Snell, Maryville, Tenn.**
[73] Assignee: **Rubbermaid Office Products Inc.,
Maryville, Tenn.**
[**] Term: **14 Years**
[21] Appl. No.: **25,609**
[22] Filed: **Jul. 7, 1994**
[52] U.S. Cl. **D34/21; D34/17;
D6/479**
[58] Field of Search **D34/12, 17, 19, 20,
D34/21; 108/144, 180, 193; 312/218, 209, 206;
211/187, 181; 280/47.35, 79.3; D6/432, 479,
478**

4,474,416 10/1984 Rogahn 312/257
4,644,876 2/1987 Thomas 108/111
4,740,010 4/1988 Moskovitz 280/641
4,763,799 8/1988 Cohn et al. 211/187
4,786,122 11/1988 Nichoalds 312/257
5,016,948 5/1991 Welch et al. 312/250

OTHER PUBLICATIONS

P. E4, Carts; Company name and address unknown.
Published at least as early as Feb. 1994.

Primary Examiner—Kay H. Chin
Attorney, Agent, or Firm—Richard B. O’Planick; Lisa B.
Riedesel

CLAIM

[57] The ornamental design for a book cart, as shown and
described.

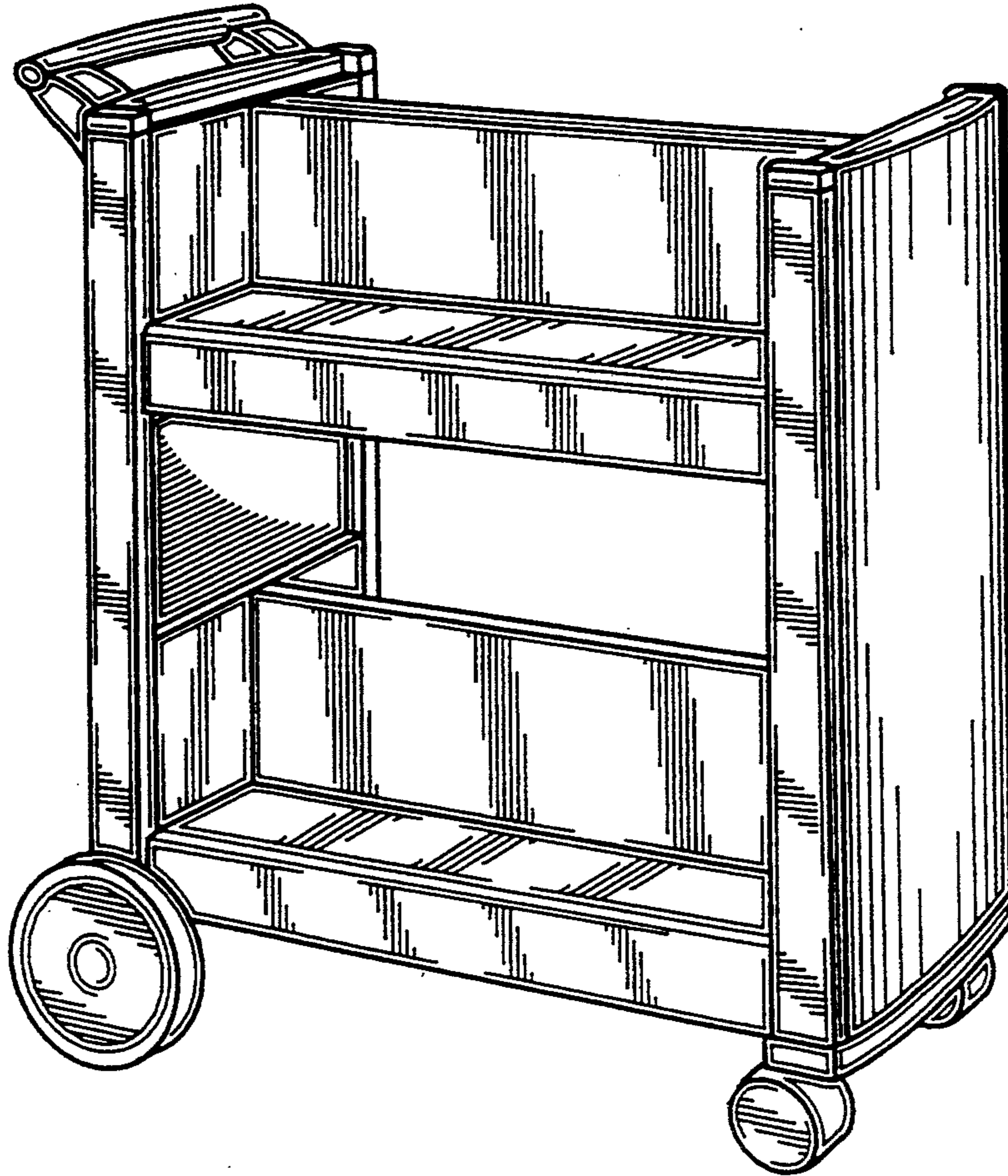
References Cited

U.S. PATENT DOCUMENTS

D. 199,670	12/1964	Inglis	D14/3
D. 232,166	7/1974	Salagiver	D12/27
D. 246,165	10/1977	Bacakay	D12/29
D. 275,044	8/1984	Hampshire et al.	D34/21
D. 302,064	7/1989	Delmerico	D34/20
D. 303,444	9/1989	Yoshikawa	D34/21
D. 323,915	2/1992	Welch	D34/21

DESCRIPTION

FIG. 1 is a top right front perspective view of a book
cart showing my new design;
FIG. 2 is a front elevational view thereof; the rear ele-
vational view being a mirror image;
FIG. 3 is a bottom plan view thereof;
FIG. 4 is a right side elevational view thereof;
FIG. 5 is a left side elevational view thereof; and,
FIG. 6 is a top plan view thereof.



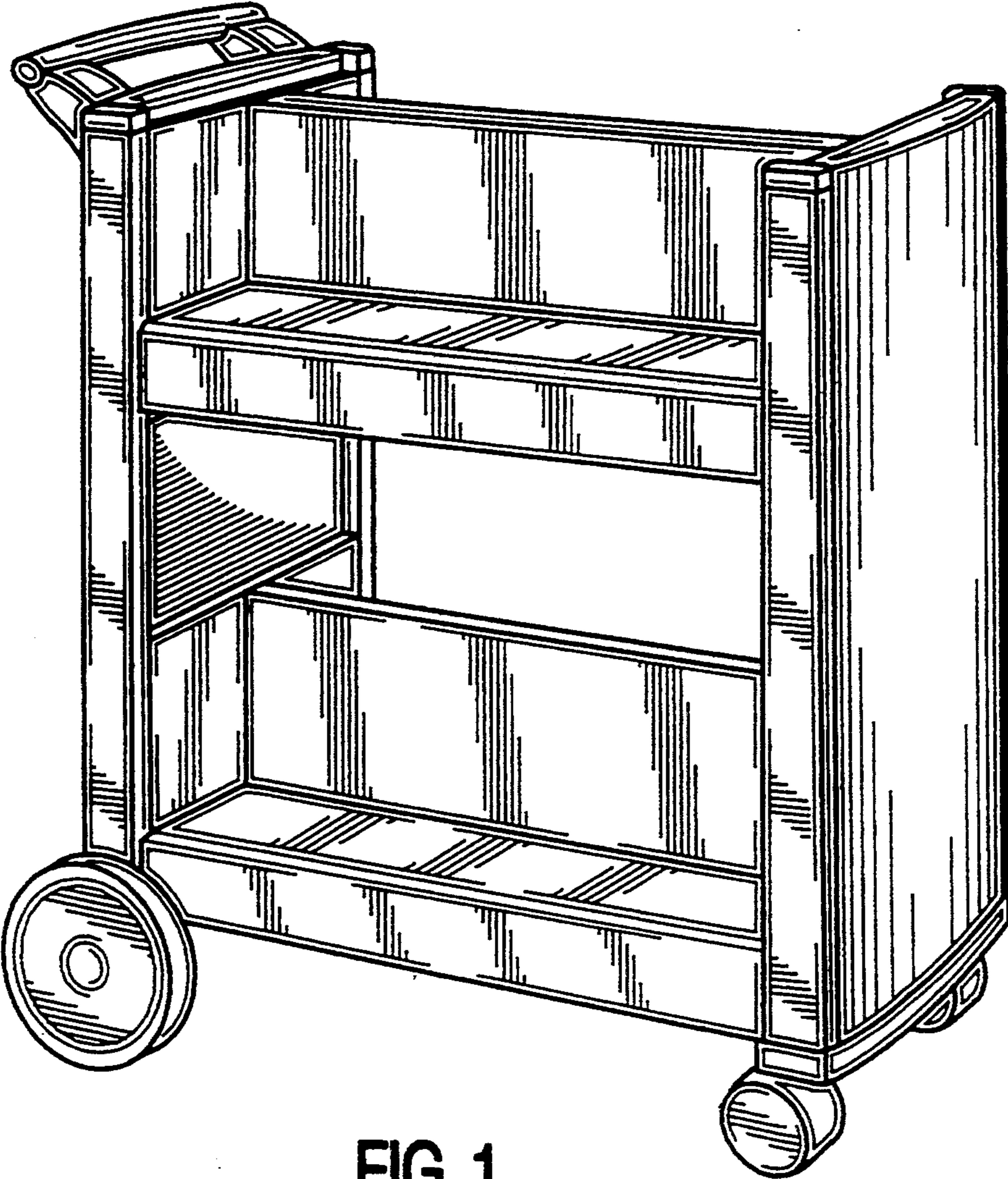


FIG. 1

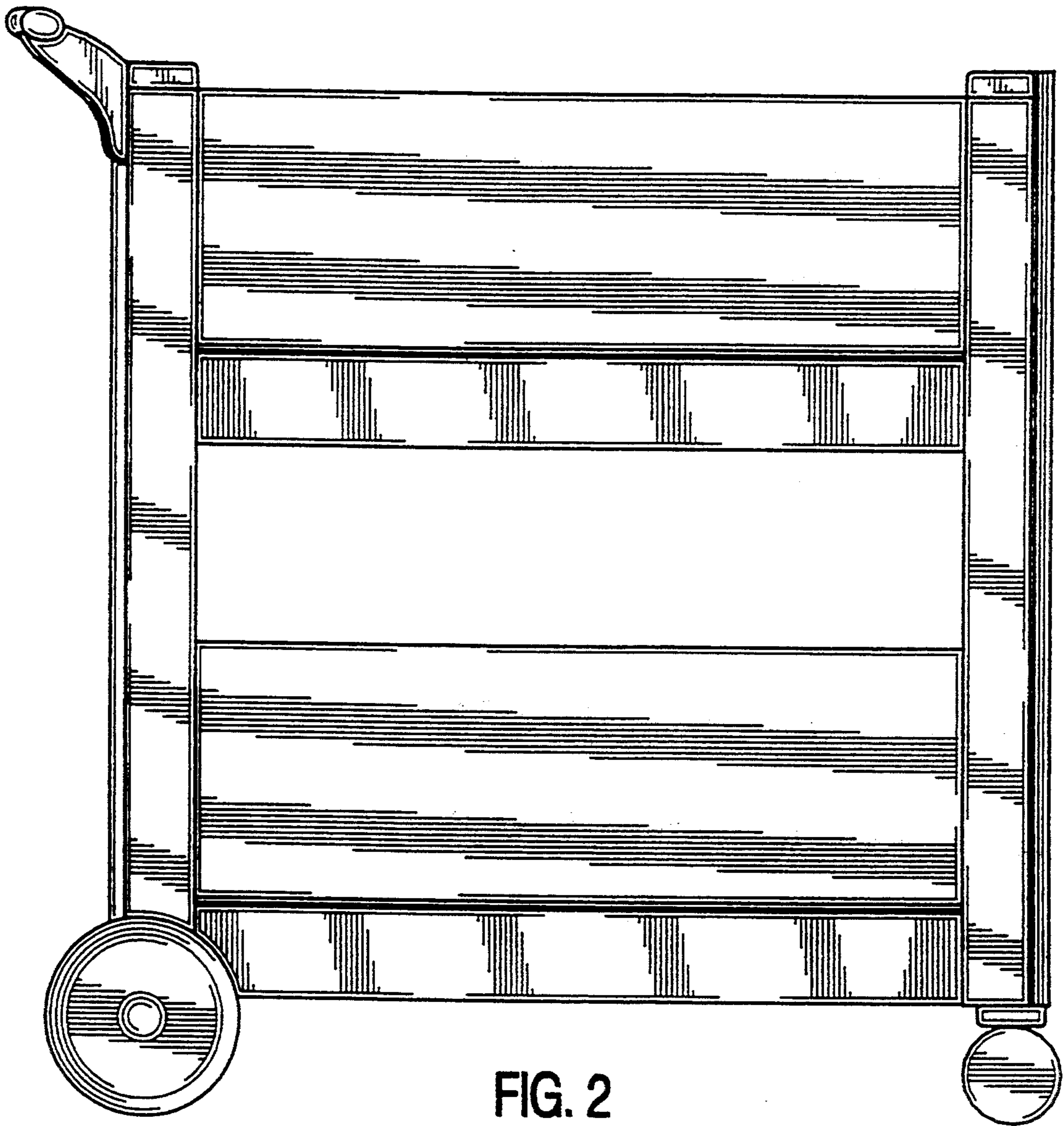


FIG. 2

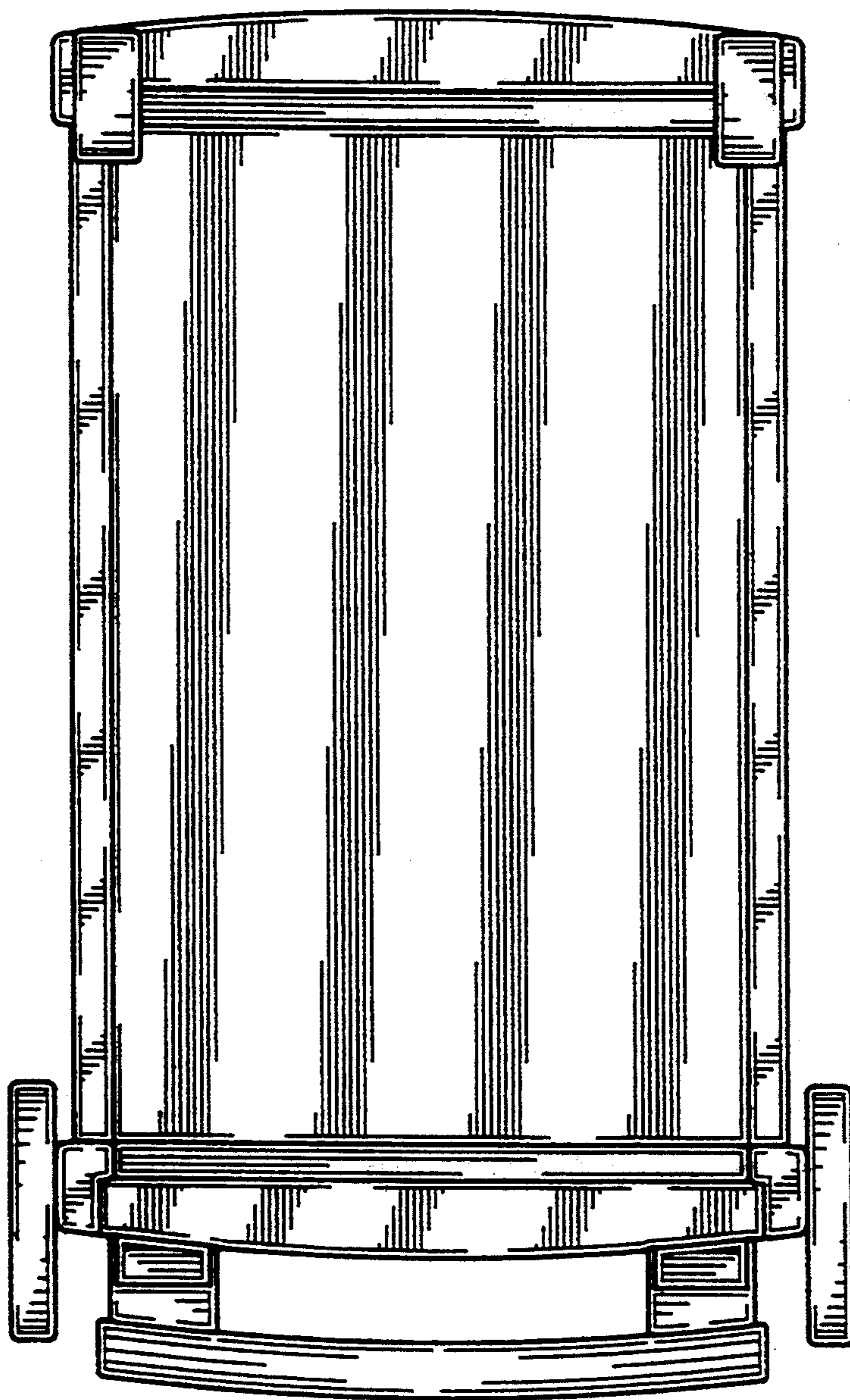


FIG. 3

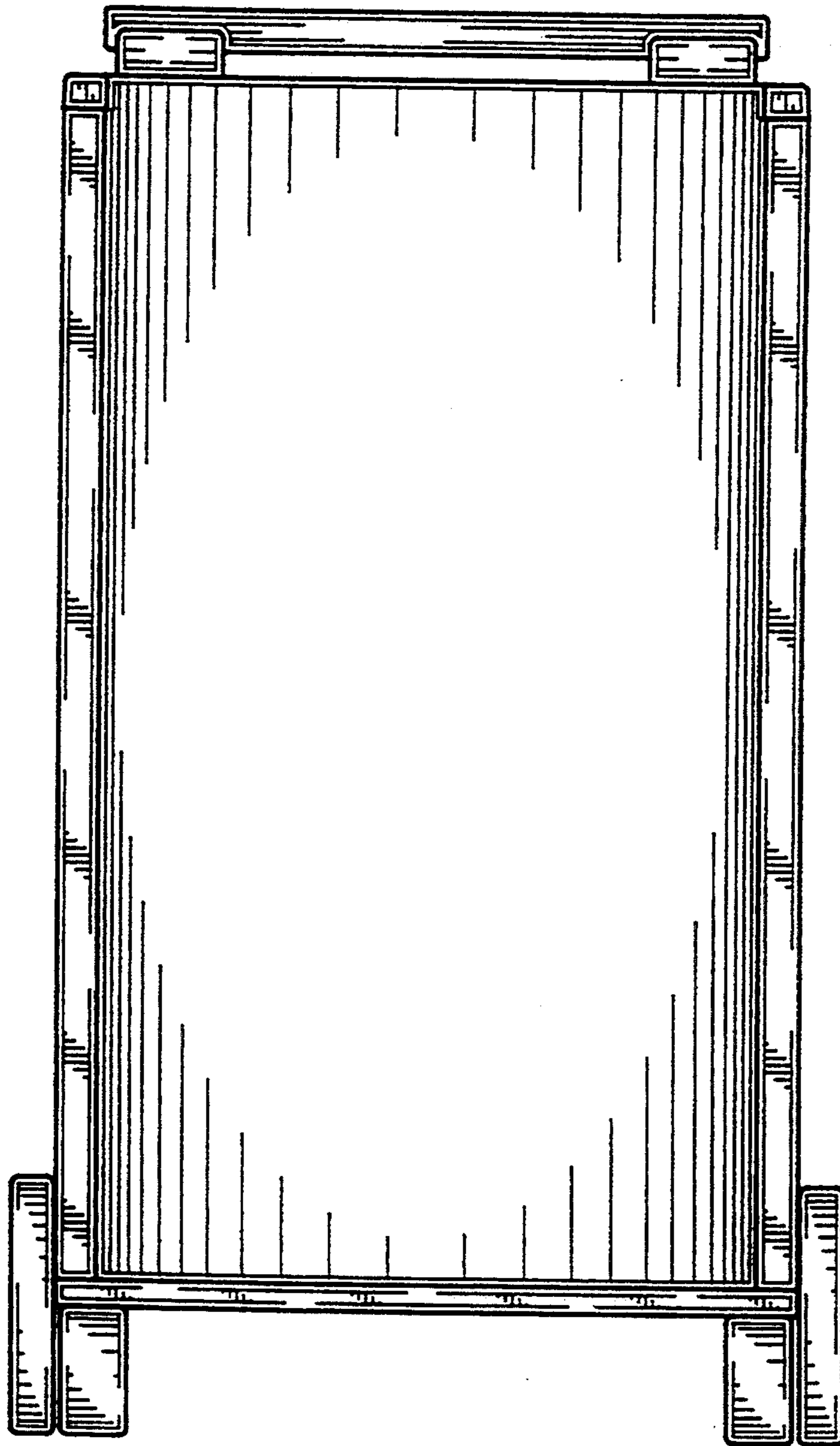


FIG. 4

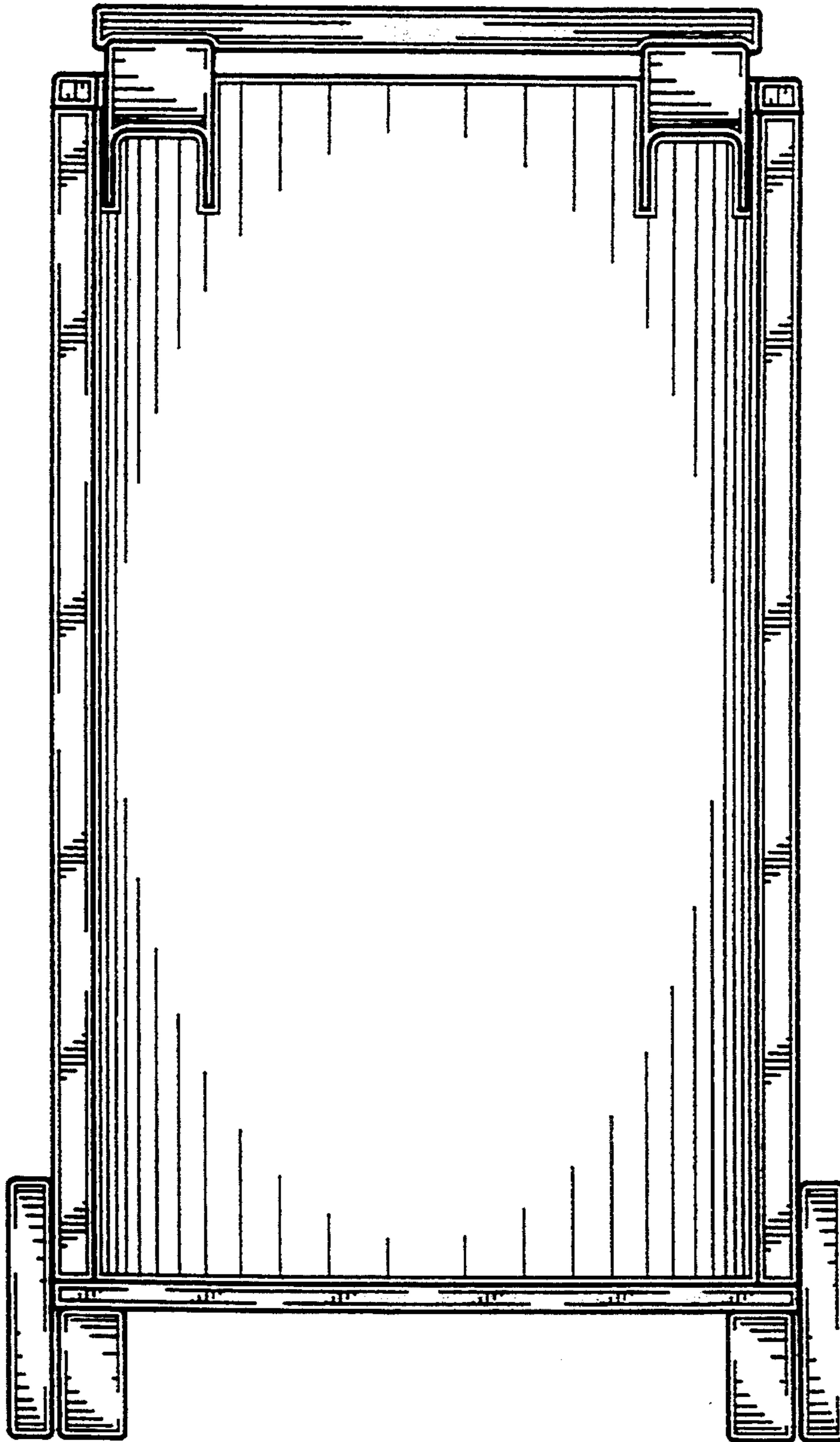


FIG. 5

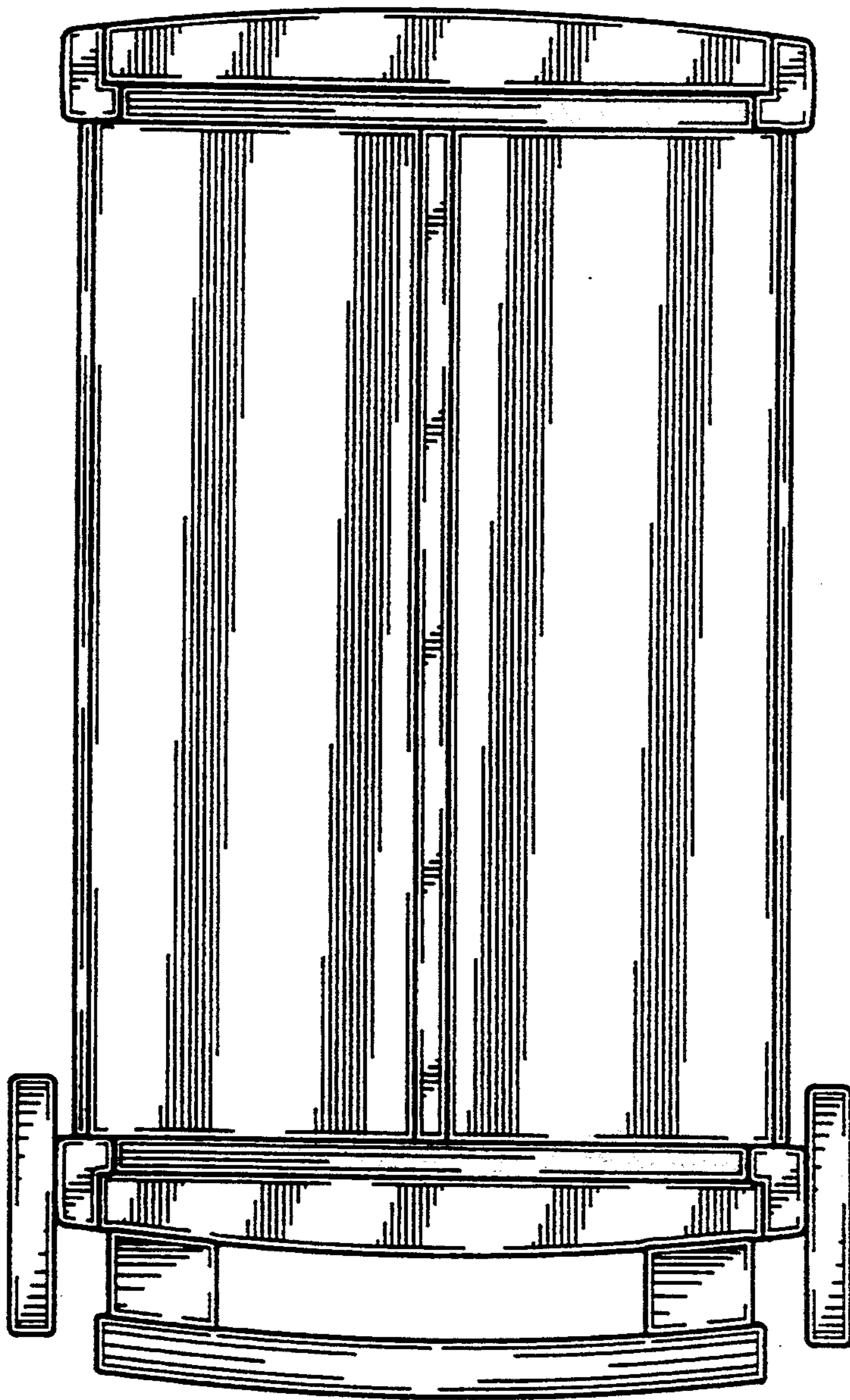


FIG. 6