



US00D360722S

United States Patent [19]
Brady

[11] **Patent Number: Des. 360,722**
[45] **Date of Patent: ** Jul. 25, 1995**

[54] **REAR COVER OF AN IRON**
[75] **Inventor: Martin Brady, Richmond, Va.**
[73] **Assignee: Hamilton Beach/Proctor-Silex, Inc.,
Glen Allen, Va.**
[**] **Term: 14 Years**
[21] **Appl. No.: 700**
[22] **Filed: Oct. 21, 1992**
[52] **U.S. Cl. D32/71**
[58] **Field of Search D32/68-71,
D32/73; 38/74-75, 79, 88, 94, 96, 141, 142**

[56] **References Cited**
U.S. PATENT DOCUMENTS

- D. 163,547 6/1951 Stewart .
- D. 262,771 1/1982 Hanson .
- D. 269,213 5/1983 Martin .
- D. 291,615 8/1987 Ogawa et al. D32/70
- D. 291,616 8/1987 Hennvy .
- D. 294,991 3/1988 Johnson et al. .
- D. 309,516 7/1990 Klok .
- D. 314,267 1/1991 Johnson et al. .
- 2,249,620 7/1941 Samuels .
- 2,321,509 6/1943 Olving .
- 2,536,996 7/1945 Holland et al. .

FOREIGN PATENT DOCUMENTS
62333 1/1989 Canada .

OTHER PUBLICATIONS

Outside front and back cover pages and 1 page showing advertisements for irons (models I1624, I1605, I1210,

I1321, I1915) from the catalog titled "Product Catalog Procter Silex Dependable Appliances for Today's Home," published Aug., 1991 by Procter Silex-Hamilton Beach.

Outside front and back cover pages and 1 page showing advertisements for irons which have been on the market within one year prior to the patent application (Models I4300 and I4400) from the catalog titled, "Hamilton Beach-Proctor Silex," published Apr. 1992 by Proctor Silex-Hamilton Beach.

Copending utility patent application No. 08/001,261 filed Jan. 7, 1993 by Martin Brady.

Primary Examiner—James M. Gandy
Assistant Examiner—Lavone D. Tabor
Attorney, Agent, or Firm—Roger S. Dybvig

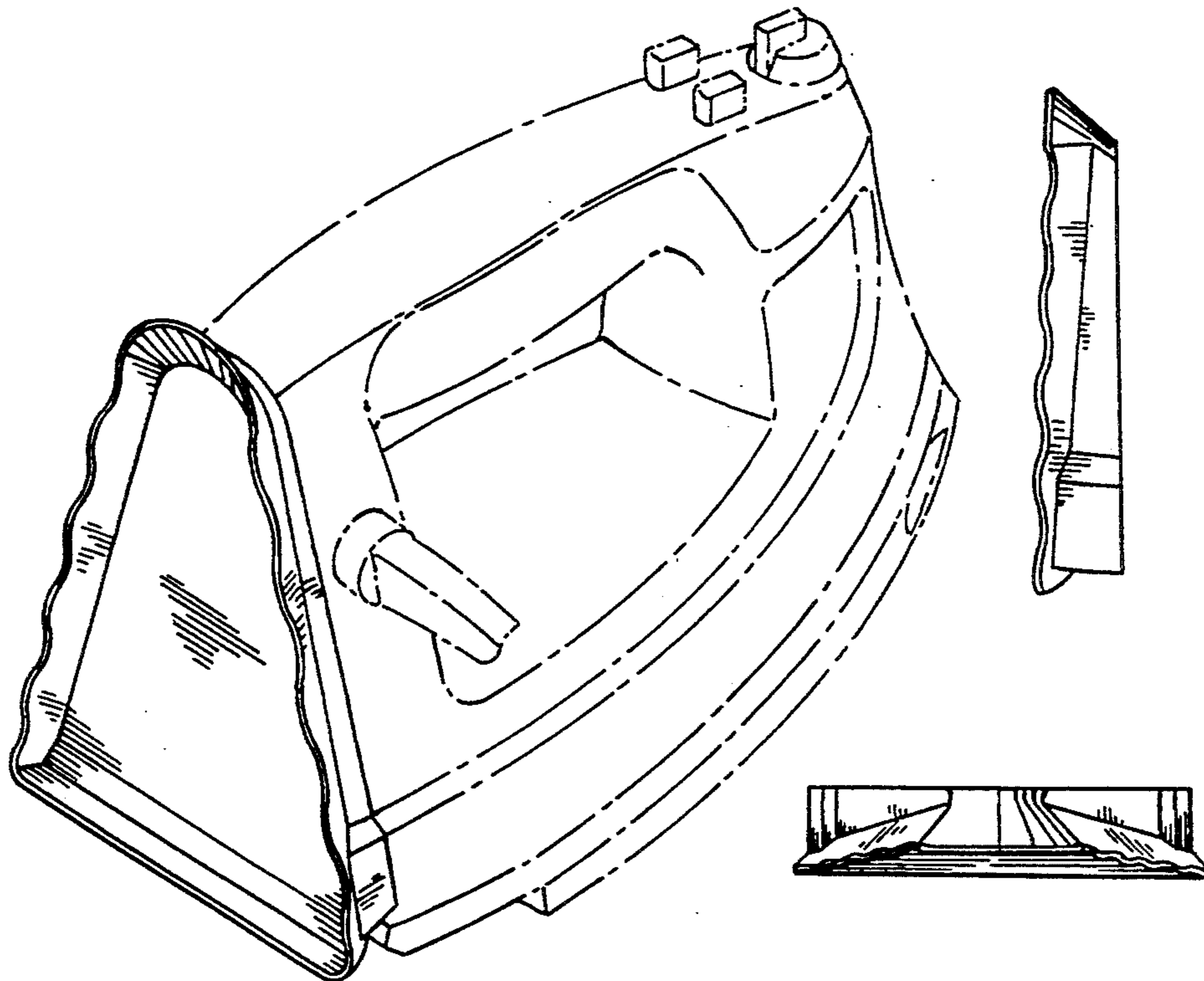
[57] **CLAIM**

The ornamental design for a rear cover of an iron, as shown and described.

DESCRIPTION

FIG. 1 is a top, front and left side perspective view of a rear cover of an iron showing my new design; FIG. 2 is a rear elevational view thereof; FIG. 3 is a left side elevational view thereof, with the right side being a mirror image of the left side; FIG. 4 is a top plan view thereof; and, FIG. 5 is a bottom plan view thereof.

The broken line showing of an iron body, handle, top cover, sole plate and portion of a cord in FIG. 1 is for illustrative purposes only and forms no part of the claimed design.



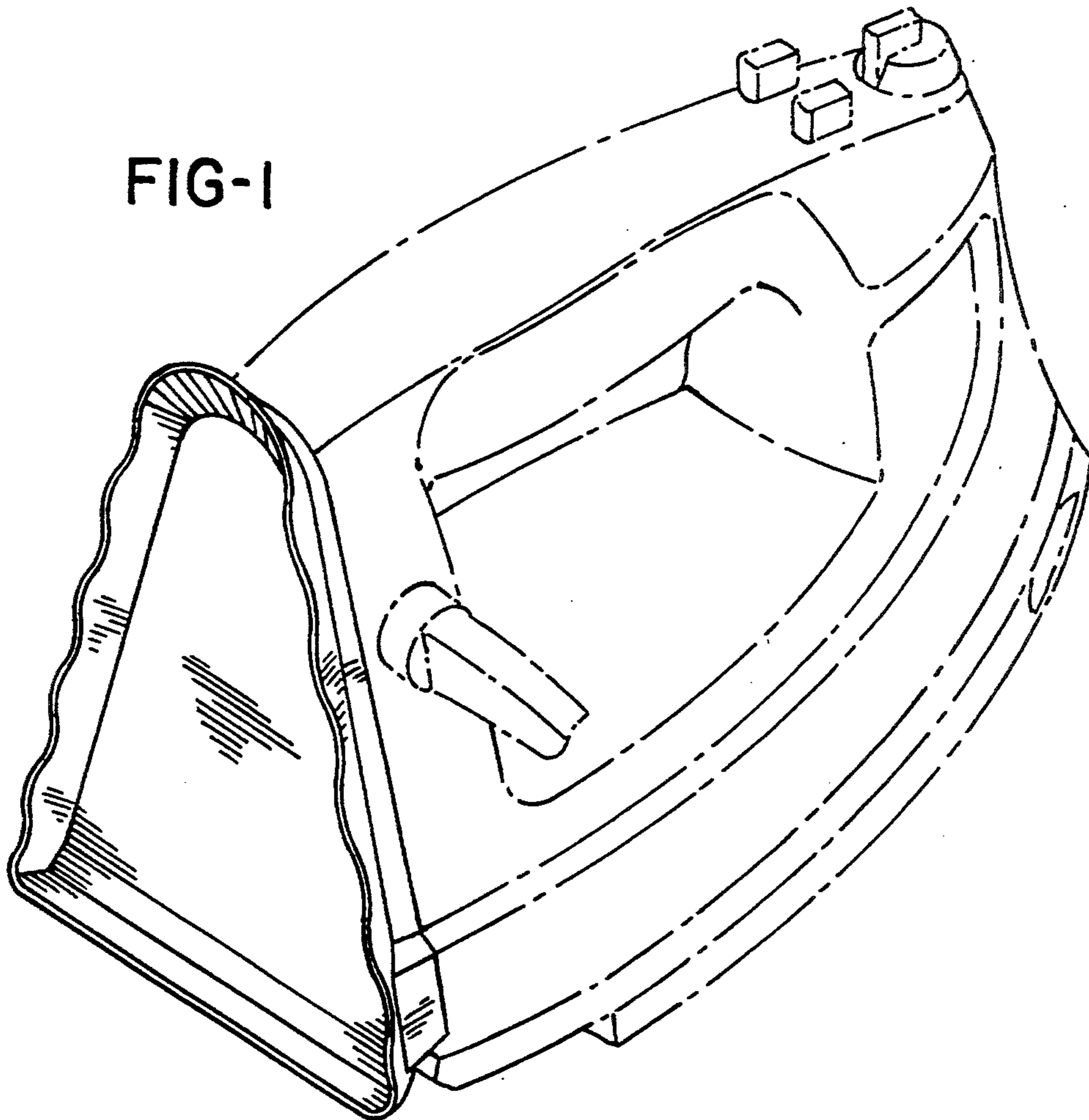


FIG-2

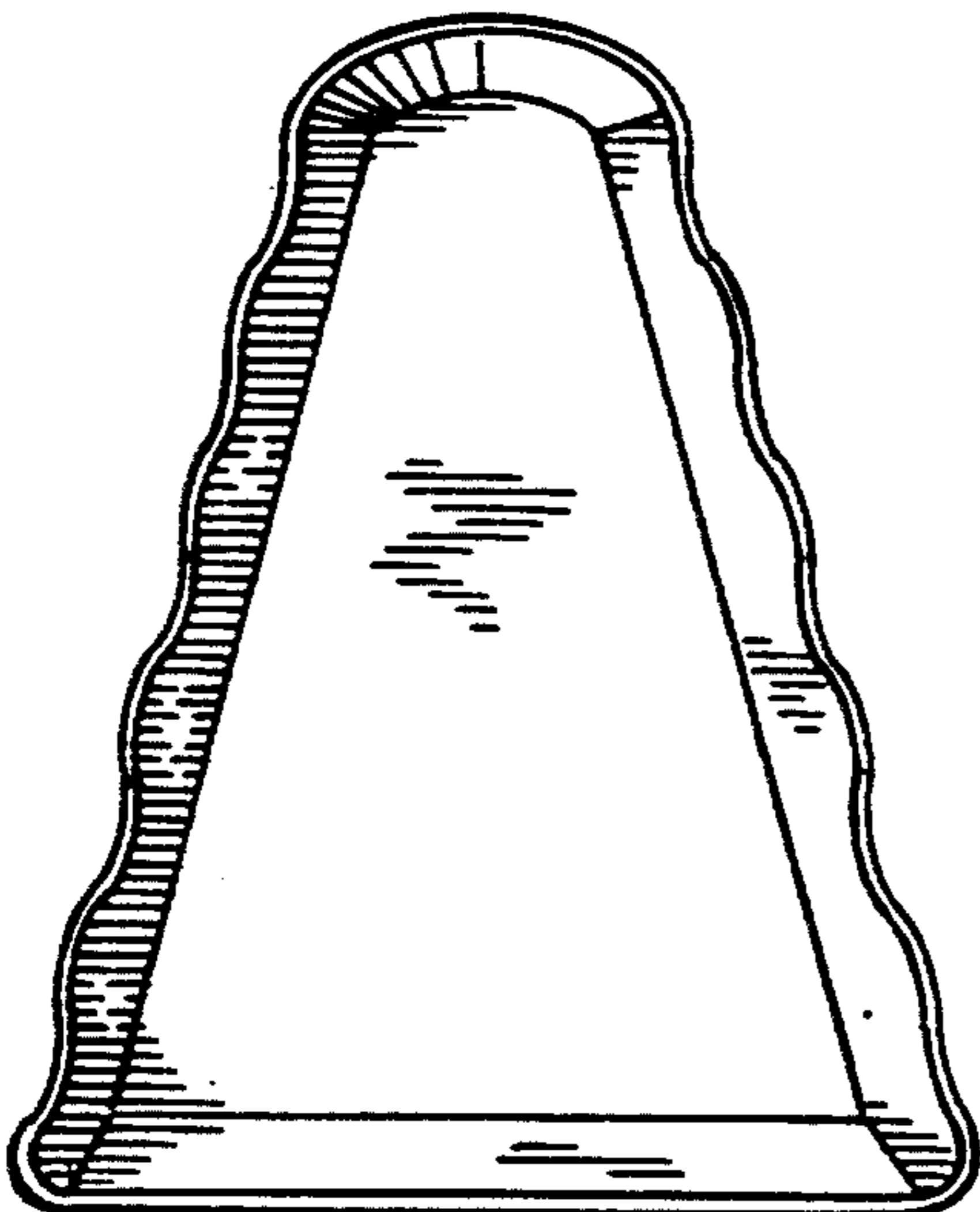


FIG-3

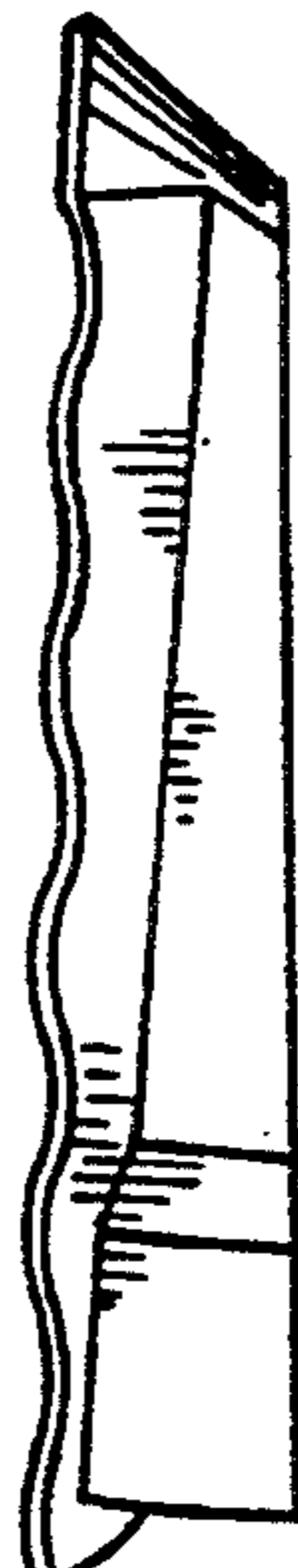


FIG-4



FIG-5

