



US00D360721S

United States Patent [19]

Kasai et al.

[11] Patent Number: **Des. 360,721**

[45] Date of Patent: **** Jul. 25, 1995**

[54] **ELECTRIC IRON**

5,209,407 5/1993 Farrington 38/77.5

[75] Inventors: **Masao Kasai, Hyogo; Takashi Shoji, Osaka, both of Japan**

[73] Assignee: **Matsushita Electric Industrial Co., Ltd., Osaka, Japan**

[**] Term: **14 Years**

[21] Appl. No.: **19,620**

[22] Filed: **Mar. 8, 1994**

[30] **Foreign Application Priority Data**

Sep. 8, 1993 [JP] Japan 5-27440

[52] U.S. Cl. **D32/70**

[58] Field of Search **D32/68-72;**
38/74-75, 77.5-77.8, 77.9, 79, 82, 85, 88, 90, 93;
219/245-248, 254, 259

[56] **References Cited**

U.S. PATENT DOCUMENTS

D. 201,041 5/1965 Hardaker **D32/70**

D. 327,554 6/1992 Hamada et al. **D32/70**

5,074,066 12/1991 Sakano et al. **38/77.8**

OTHER PUBLICATIONS

Panasonic OPTIMA Electronic Cordless Iron NI-2000X issued May, 1989.

Sanyo Catalog of various irons issued Mar., 1991.

Primary Examiner—A. Hugo Word

Assistant Examiner—Lavone D. Tabor

Attorney, Agent, or Firm—Sughrue, Mion, Zinn, Macpeak & Seas

[57] **CLAIM**

The ornamental design for an electric iron, as shown.

DESCRIPTION

FIG. 1 is a perspective view of the top, front and one side of an electric iron showing our new design;

FIG. 2 is a front elevational view thereof;

FIG. 3 is a rear elevational view thereof;

FIG. 4 is a side elevational view of said one side thereof;

FIG. 5 is a side elevational view of an opposite side thereof;

FIG. 6 is a top plan view thereof; and,

FIG. 7 is a bottom plan view thereof.

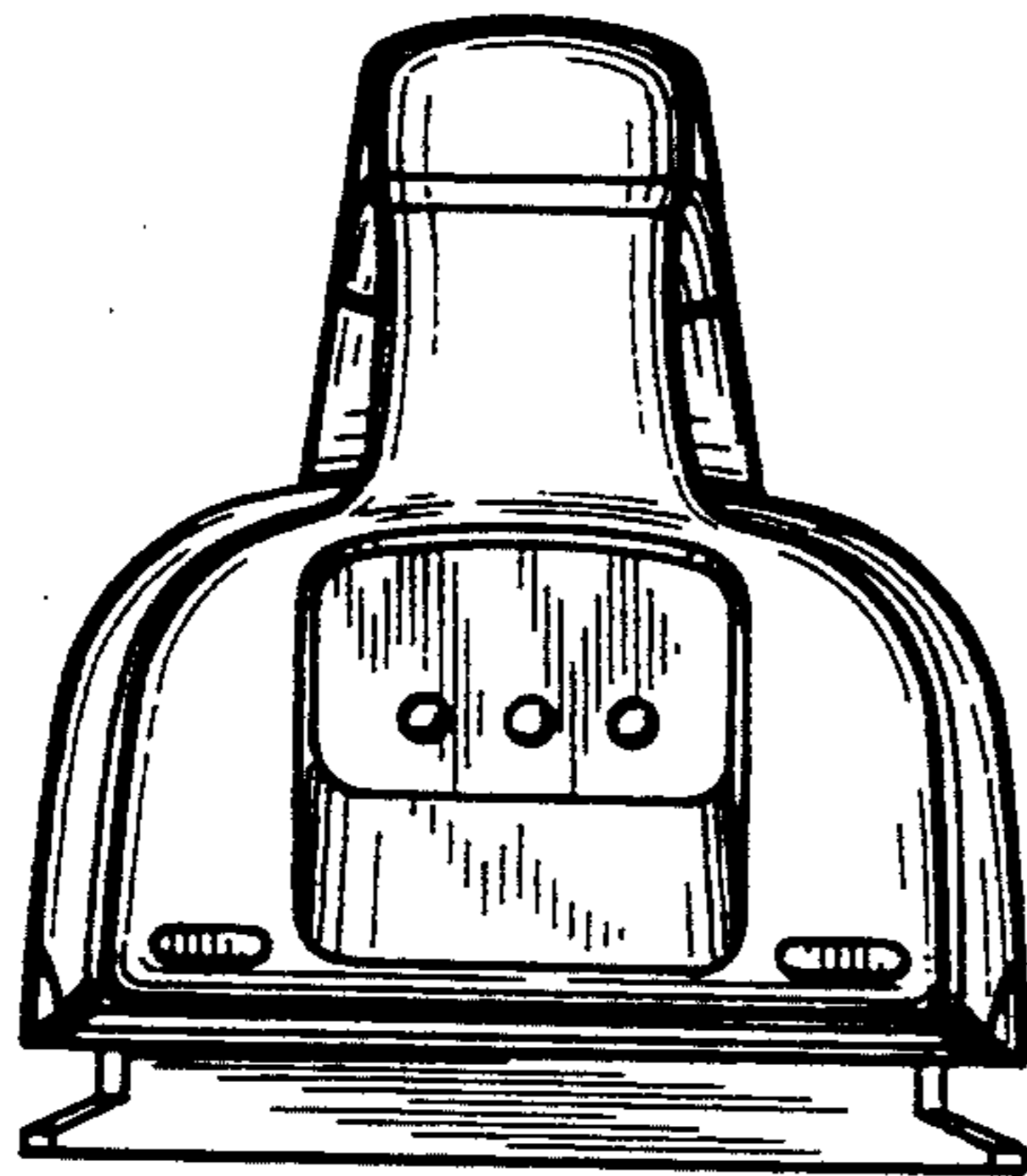
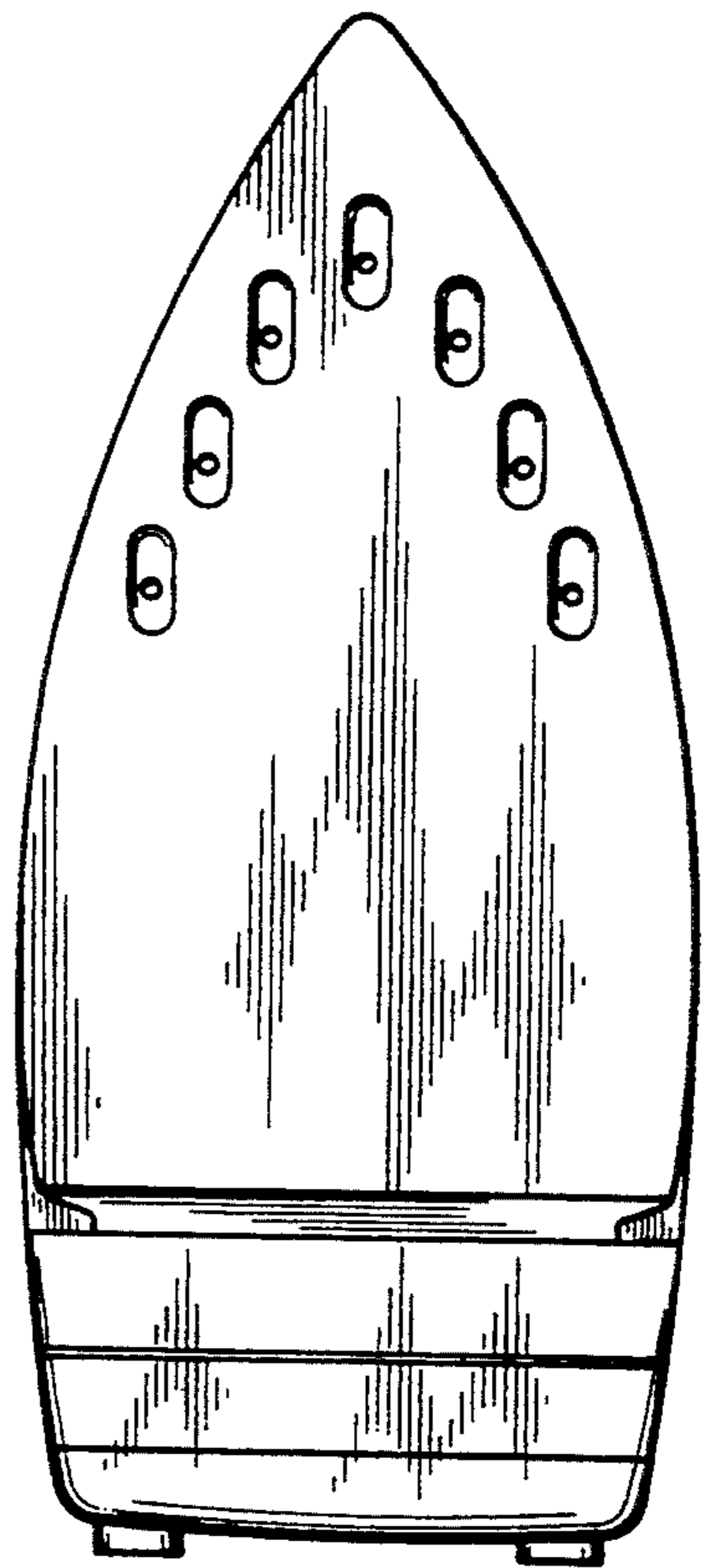
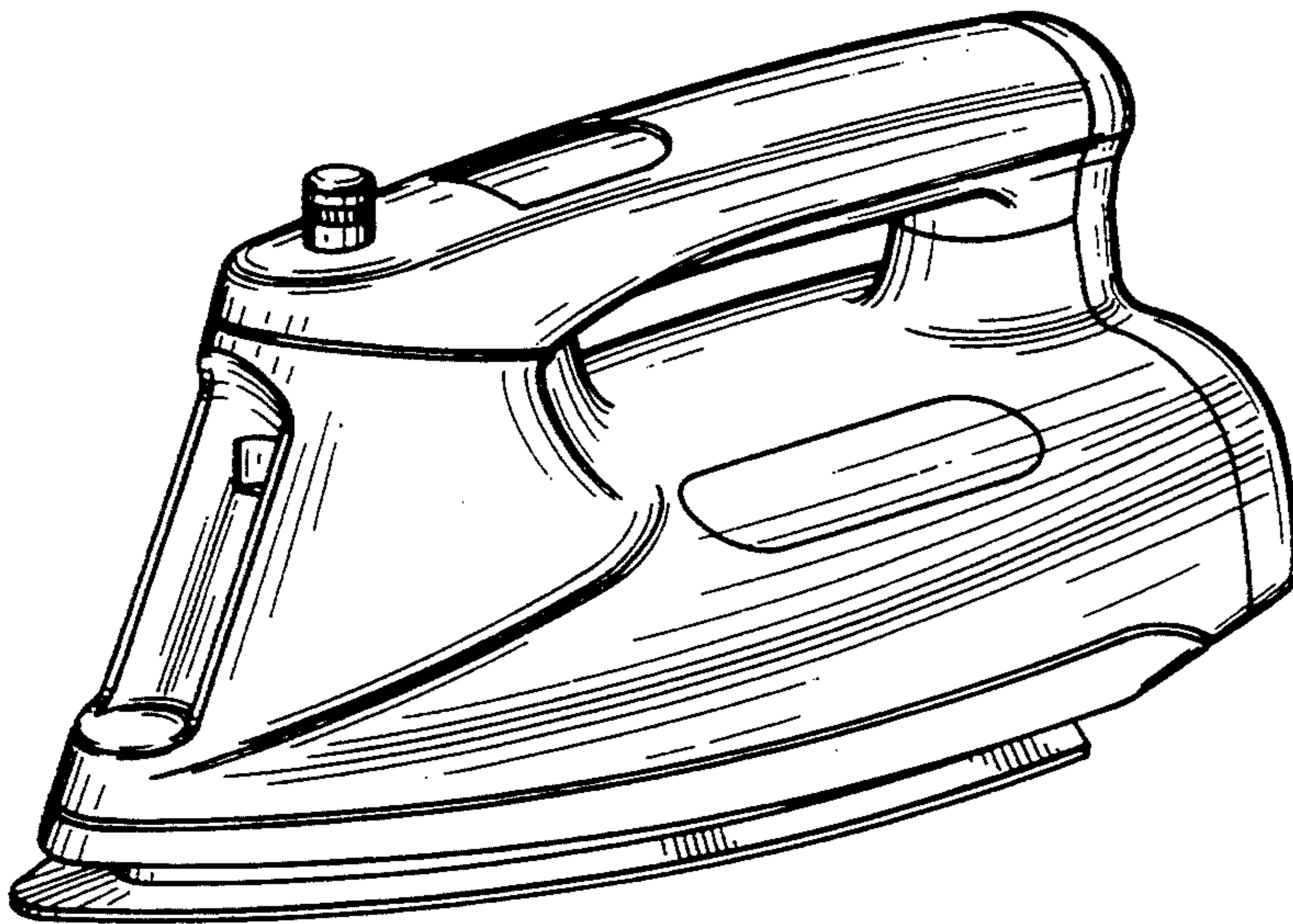


FIG. 1

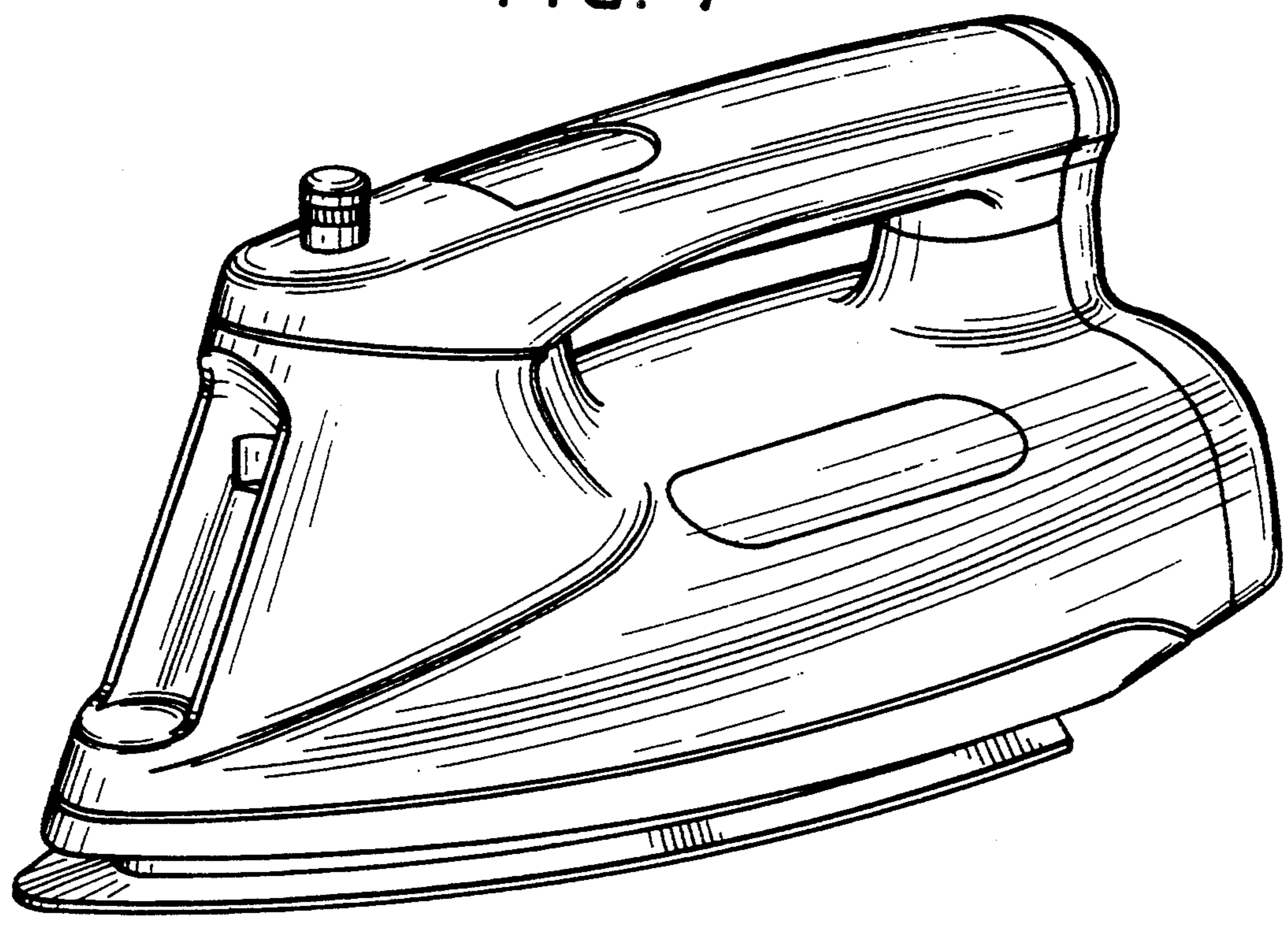


FIG. 2

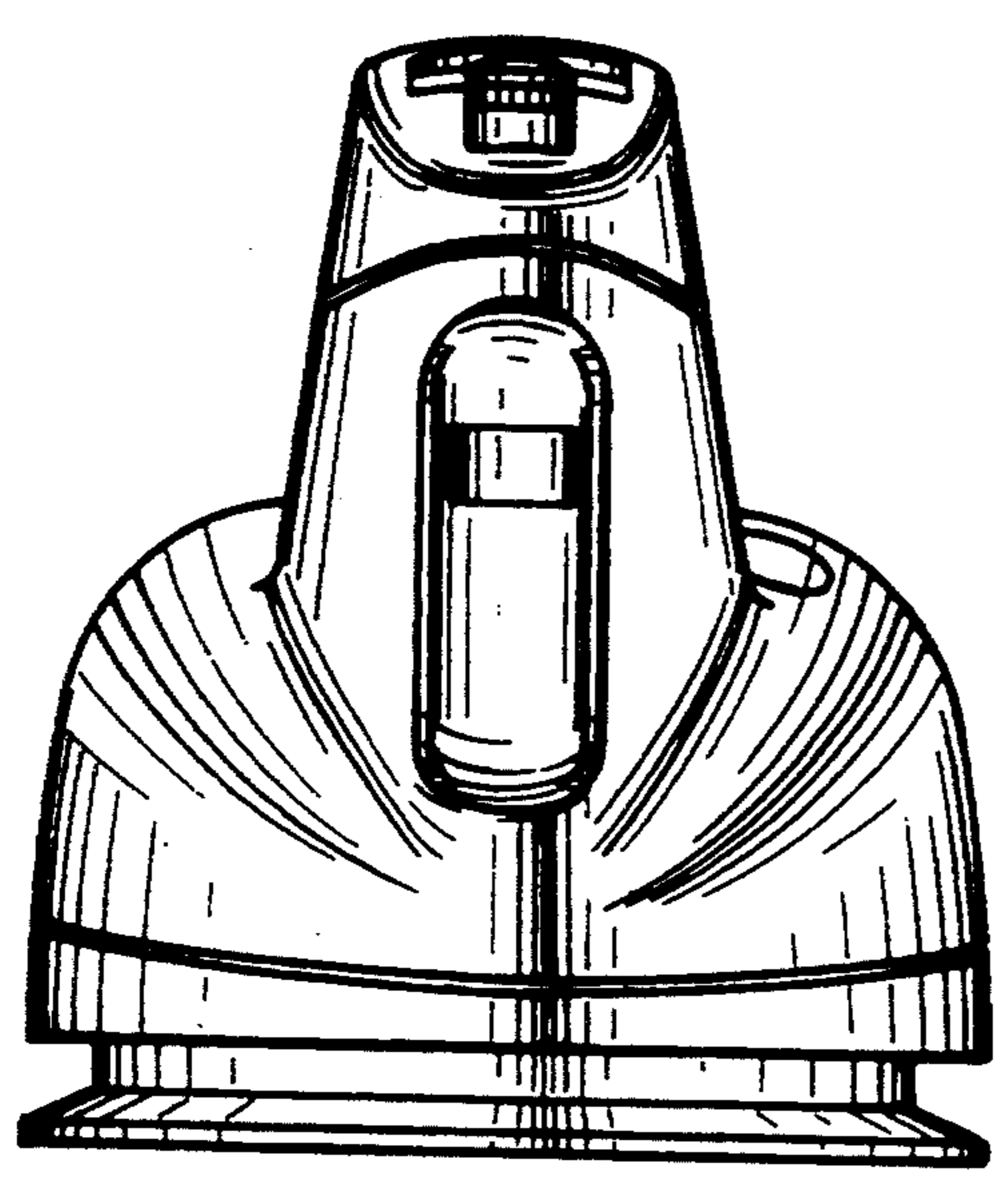


FIG. 3

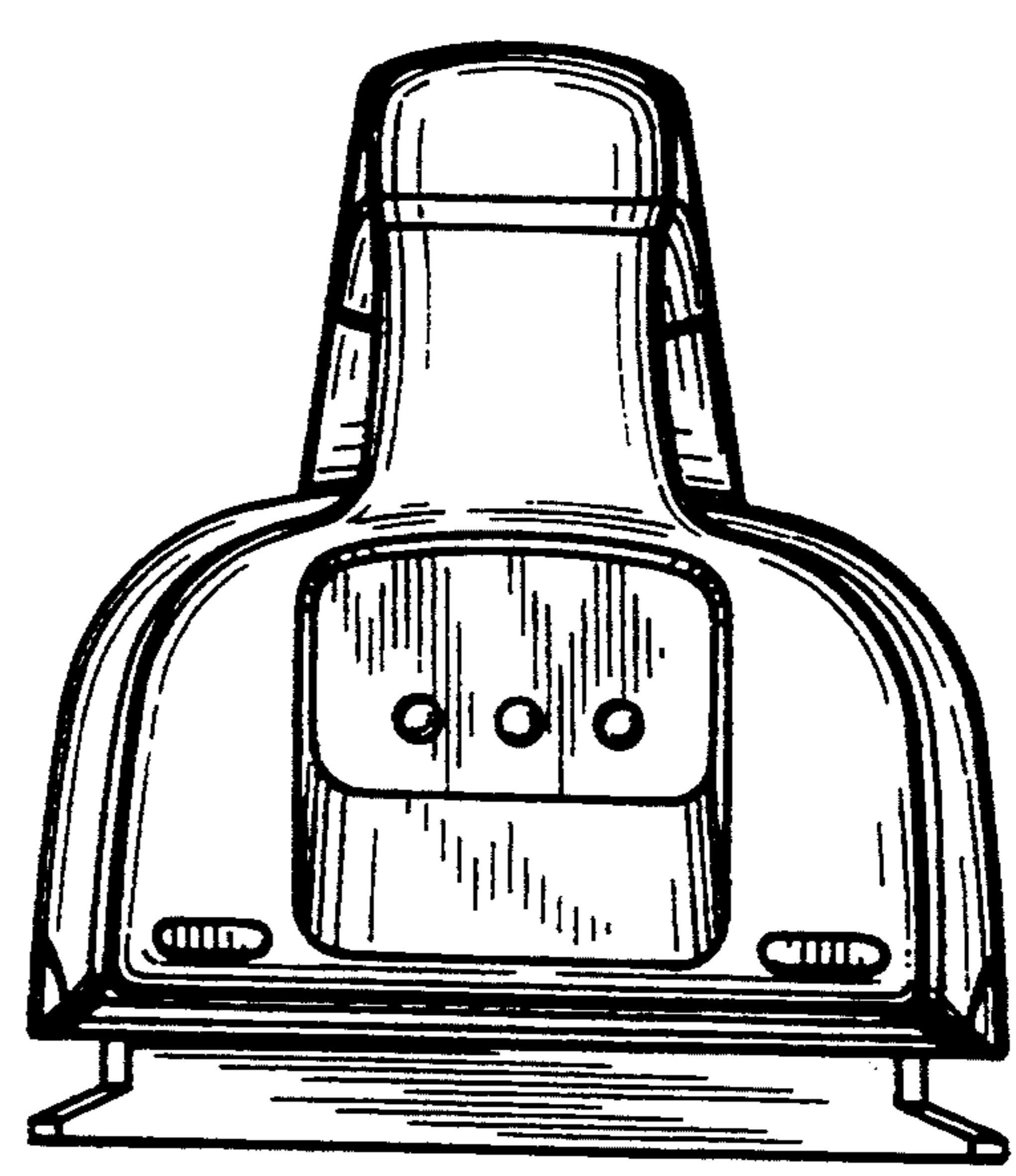


FIG. 4

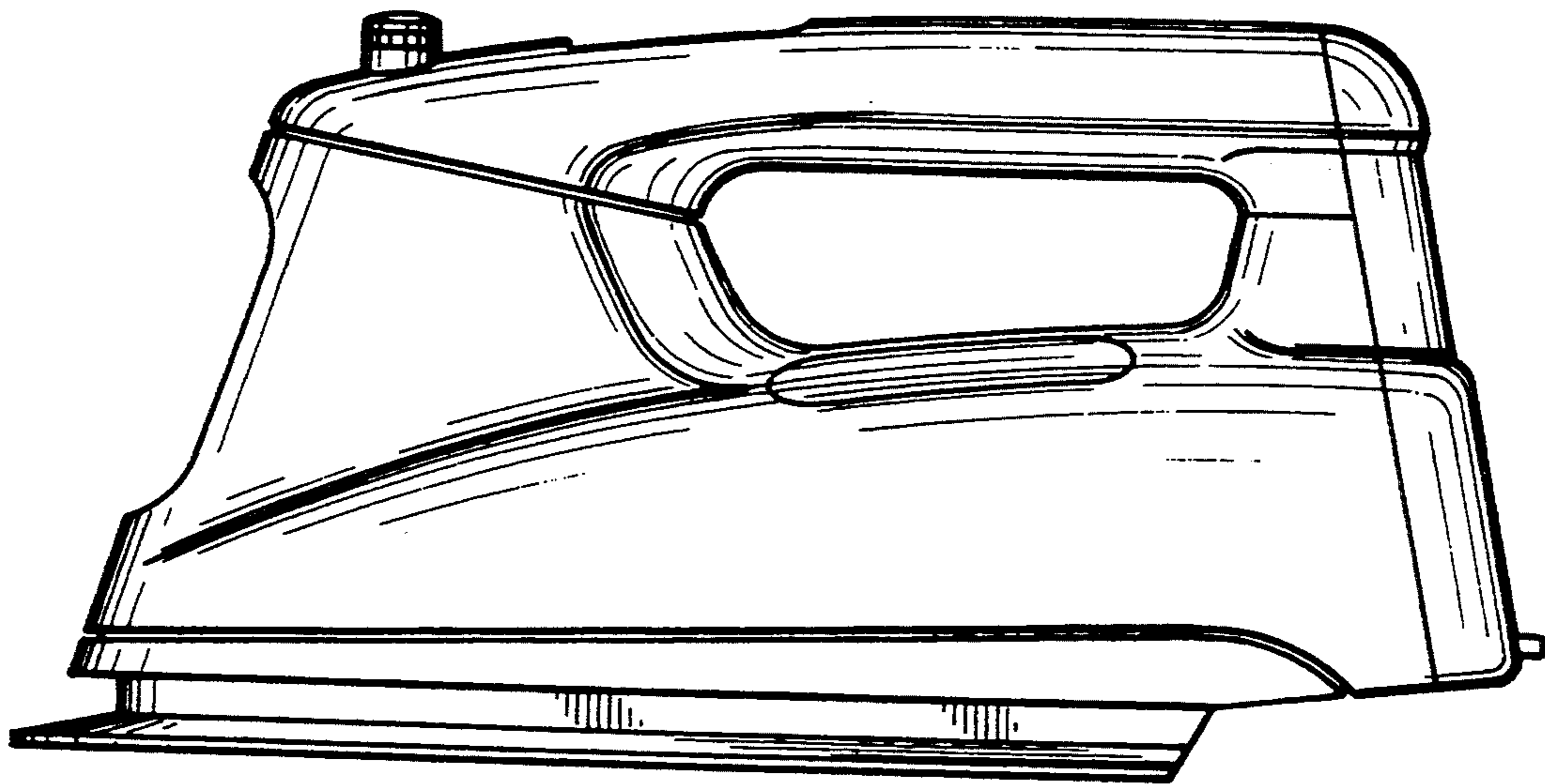


FIG. 5

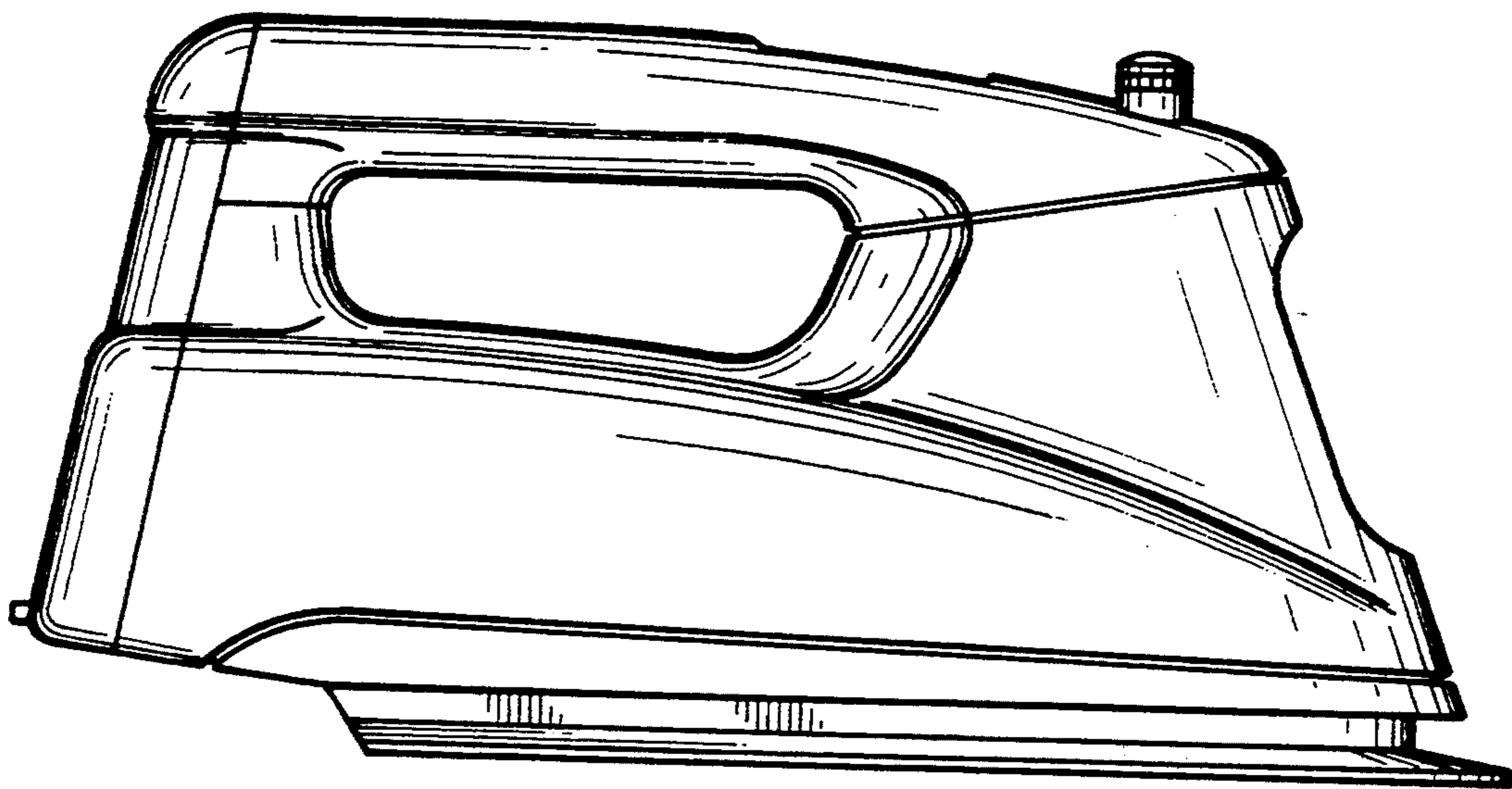


FIG. 6

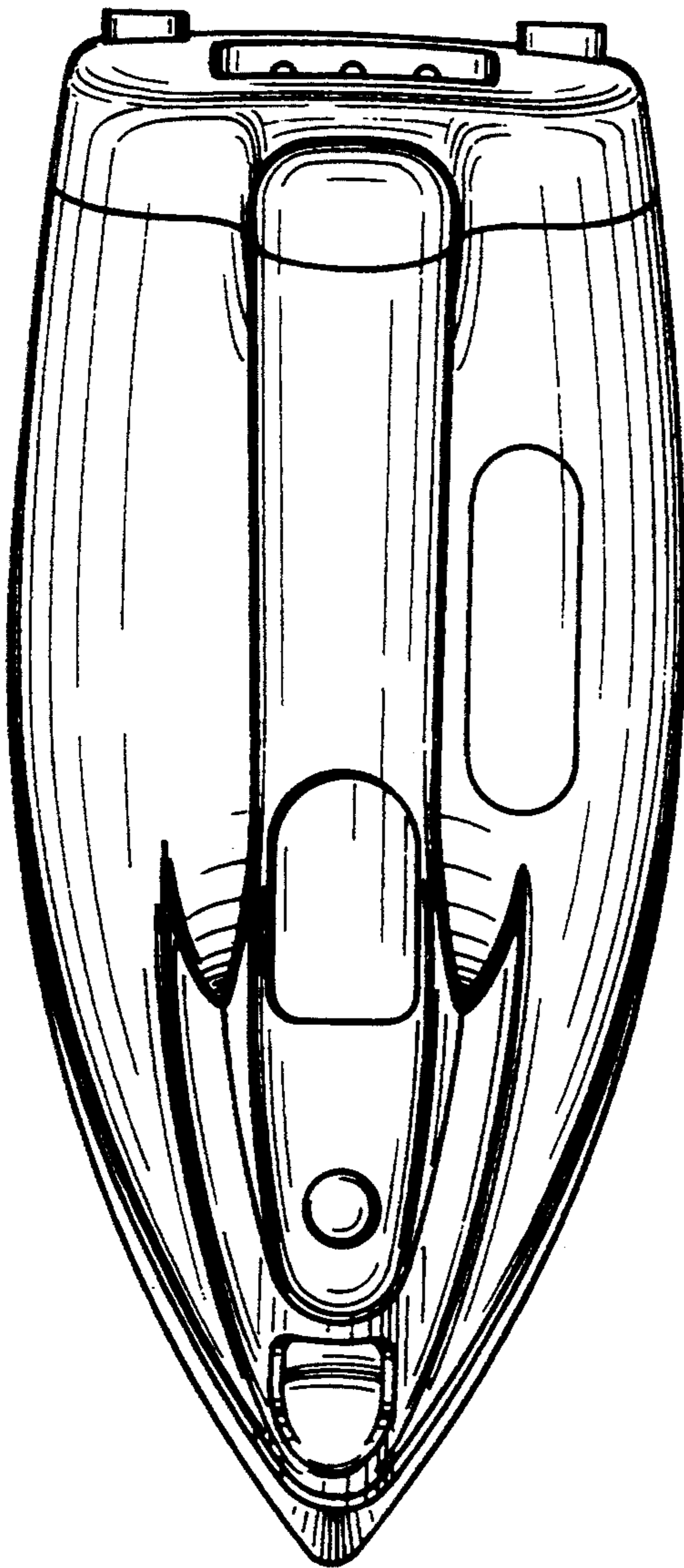


FIG. 7

